

US00D862188S

(12) **United States Design Patent** (10) **Patent No.:** **US D862,188 S**  
**Taylor et al.** (45) **Date of Patent:** **\*\* Oct. 8, 2019**

(54) **FASTENER DRIVING TOOL**

(71) Applicant: **Illinois Tool Works Inc.**, Glenview, IL (US)

(72) Inventors: **Walter Taylor**, McHenry, IL (US);  
**Julius Schwarzenberger**, Northlake, IL (US)

(73) Assignee: **Illinois Tool Works Inc.**, Glenview, IL (US)

(\*\*) Term: **15 Years**

(21) Appl. No.: **29/656,281**

(22) Filed: **Jul. 11, 2018**

(51) **LOC (12) Cl.** ..... **08-05**

(52) **U.S. Cl.**  
USPC ..... **D8/69**

(58) **Field of Classification Search**  
USPC ..... D8/61-70  
CPC .. B25C 1/001; B25C 1/04; B25C 1/06; B25C 1/041; B25C 1/047  
See application file for complete search history.

(56) **References Cited**

**U.S. PATENT DOCUMENTS**

D332,561 S *	1/1993	Fushiya	.....	D8/69
D338,606 S *	8/1993	Oda	.....	D8/69
D338,819 S *	8/1993	Ohkochi	.....	D8/69
D432,883 S *	10/2000	Wingert	.....	D8/68
D472,780 S *	4/2003	Matsuoka	.....	D8/68
D515,384 S *	2/2006	Hutchings	.....	D8/70

D516,400 S *	3/2006	Yang	.....	D8/69
D531,475 S *	11/2006	Li	.....	D8/69
D659,500 S *	5/2012	Hotta	.....	D8/69
D660,122 S *	5/2012	Hotta	.....	D8/69
D676,299 S *	2/2013	Baron	.....	D8/69
D678,027 S *	3/2013	Jerabek	.....	D8/68
D694,080 S *	11/2013	Simonin	.....	D8/69

\* cited by examiner

*Primary Examiner* — Austin Murphy

(74) *Attorney, Agent, or Firm* — Neal, Gerber & Eisenberg LLP

(57) **CLAIM**

The ornamental design for a fastener driving tool, as shown and described herein.

**DESCRIPTION**

FIG. 1 is a top side perspective view of a fastener driving tool of our new design.

FIG. 2 is a right side view of the fastener driving tool of FIG. 1.

FIG. 3 is a left side view of the fastener driving tool of FIG. 1.

FIG. 4 is a front view of the fastener driving tool of FIG. 1.

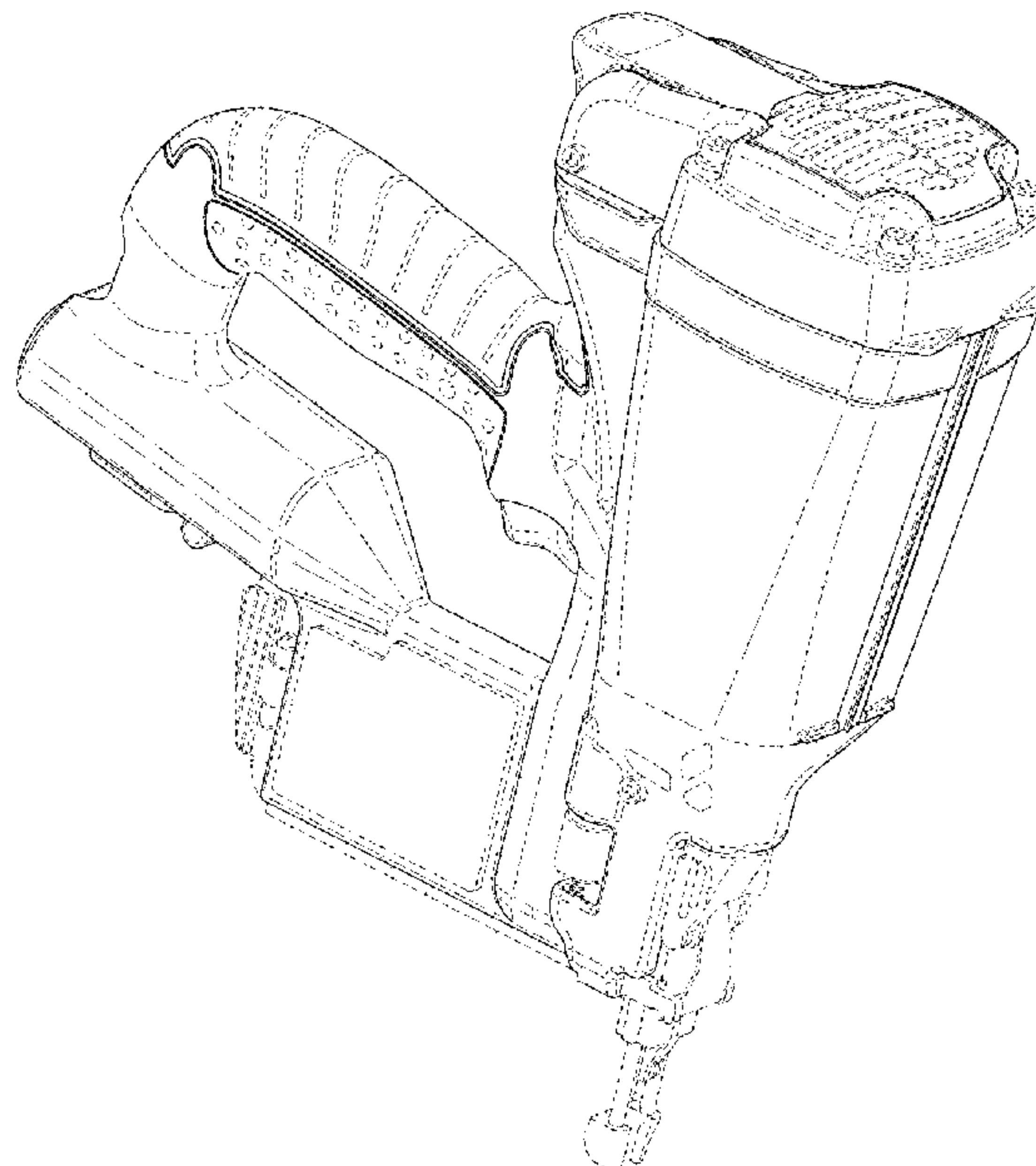
FIG. 5 is a rear view of the fastener driving tool of FIG. 1.

FIG. 6 is a top view of the fastener driving tool of FIG. 1; and,

FIG. 7 is a bottom view of the fastener driving tool of FIG. 1.

The portions shown in phantom is not part of the design sought to be patented and is provided for environmental purposes only.

**1 Claim, 6 Drawing Sheets**



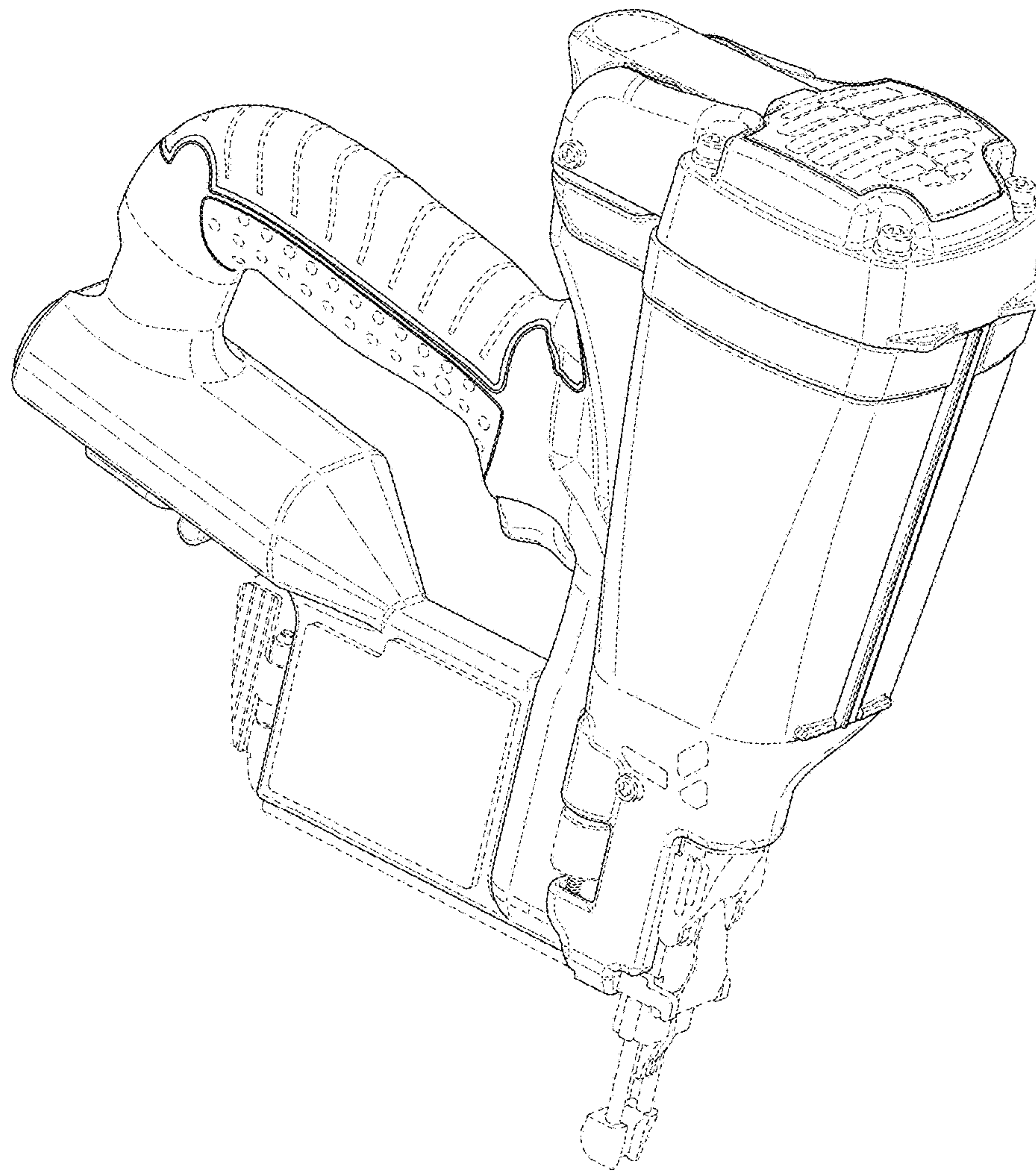


FIG. 1

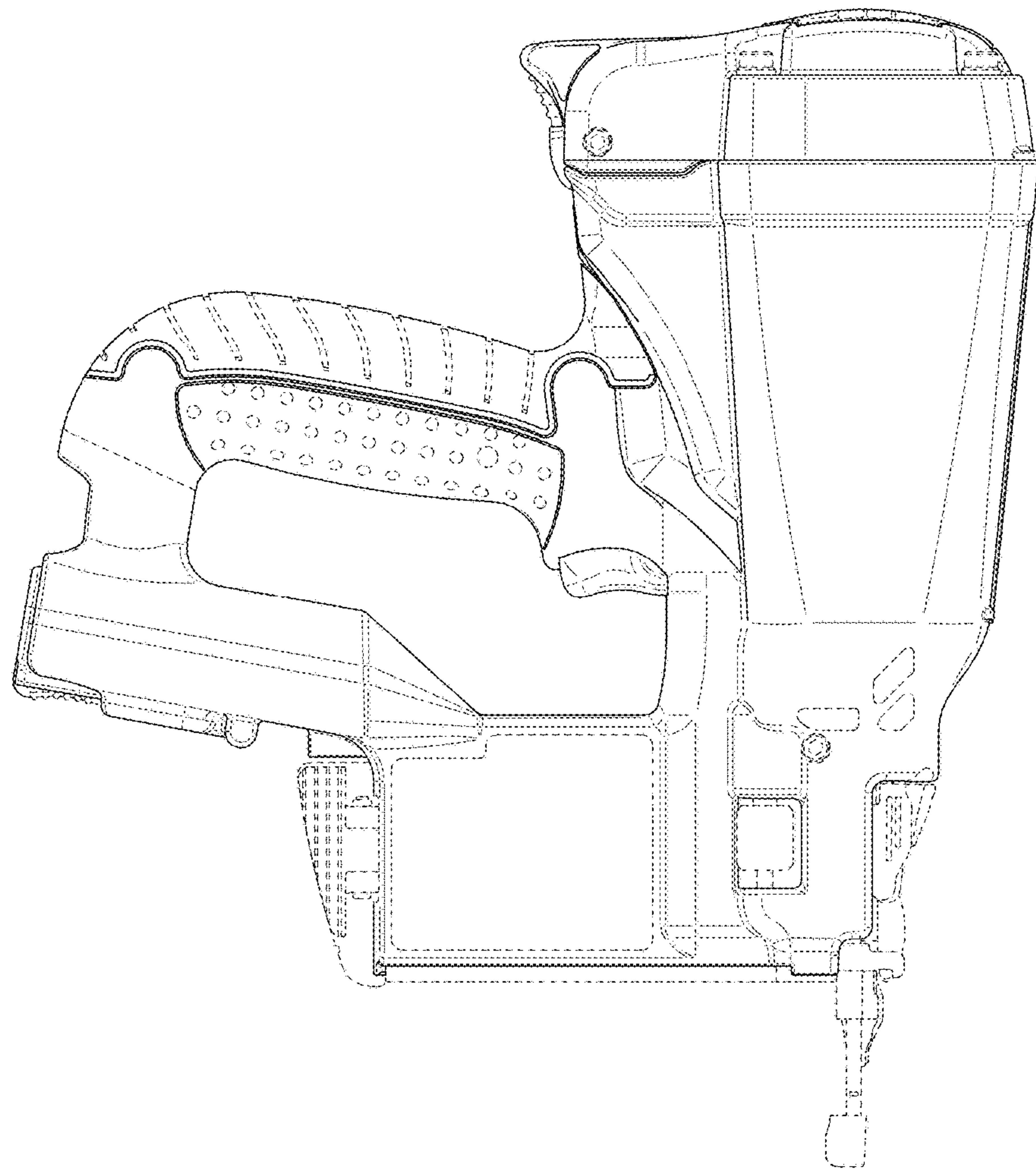


FIG. 2

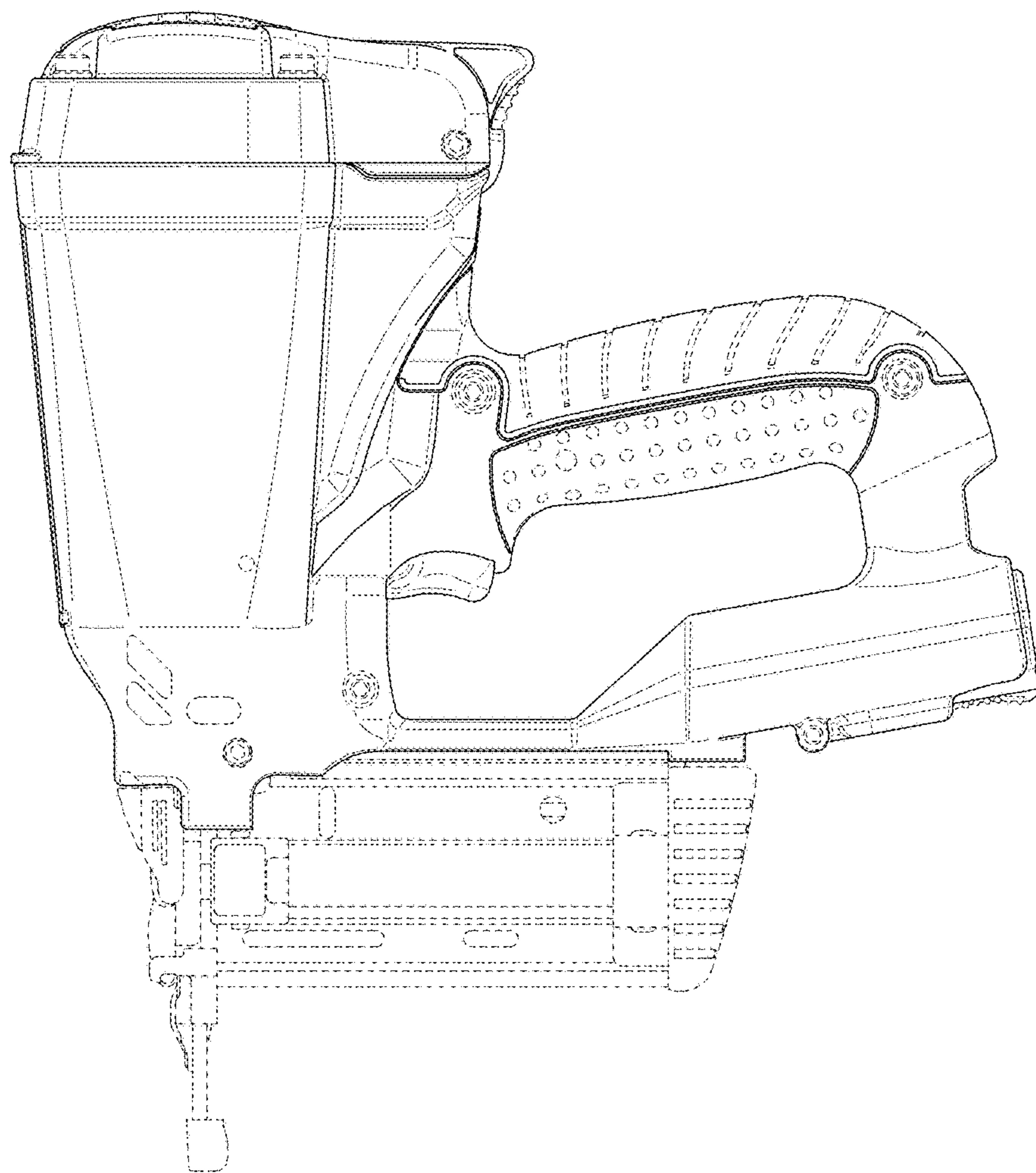


FIG. 3



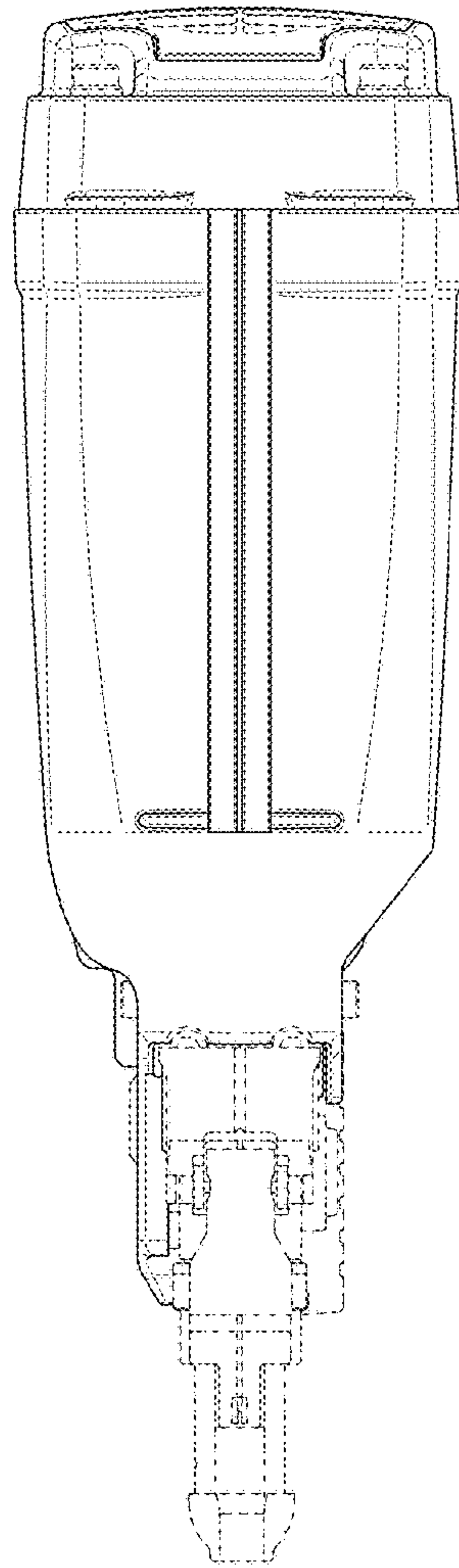


FIG. 4

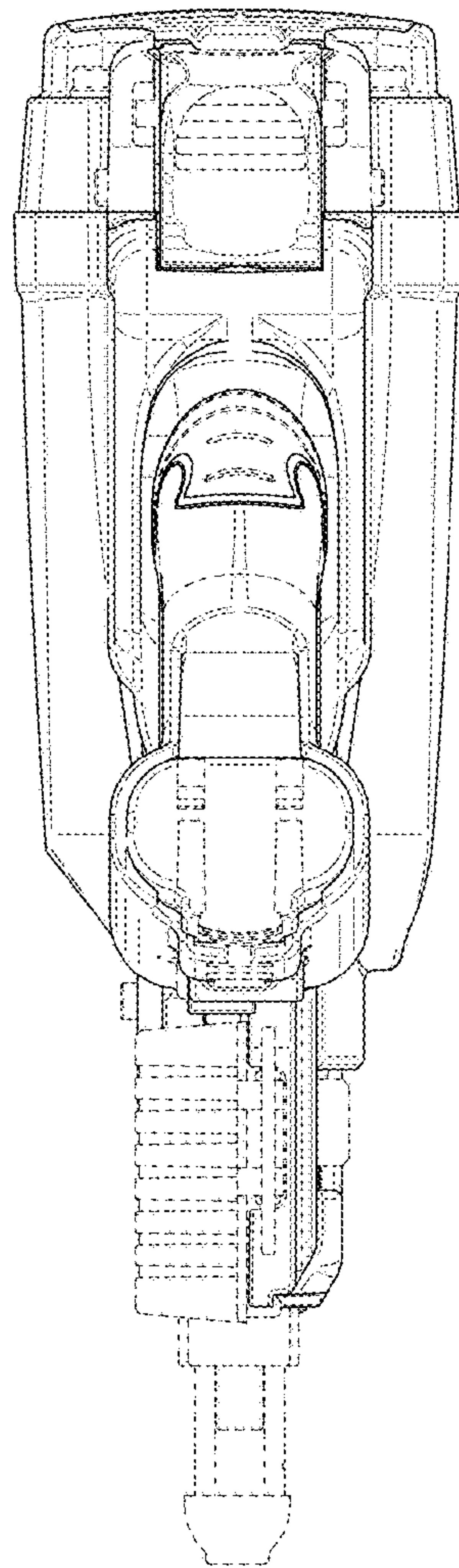


FIG. 5

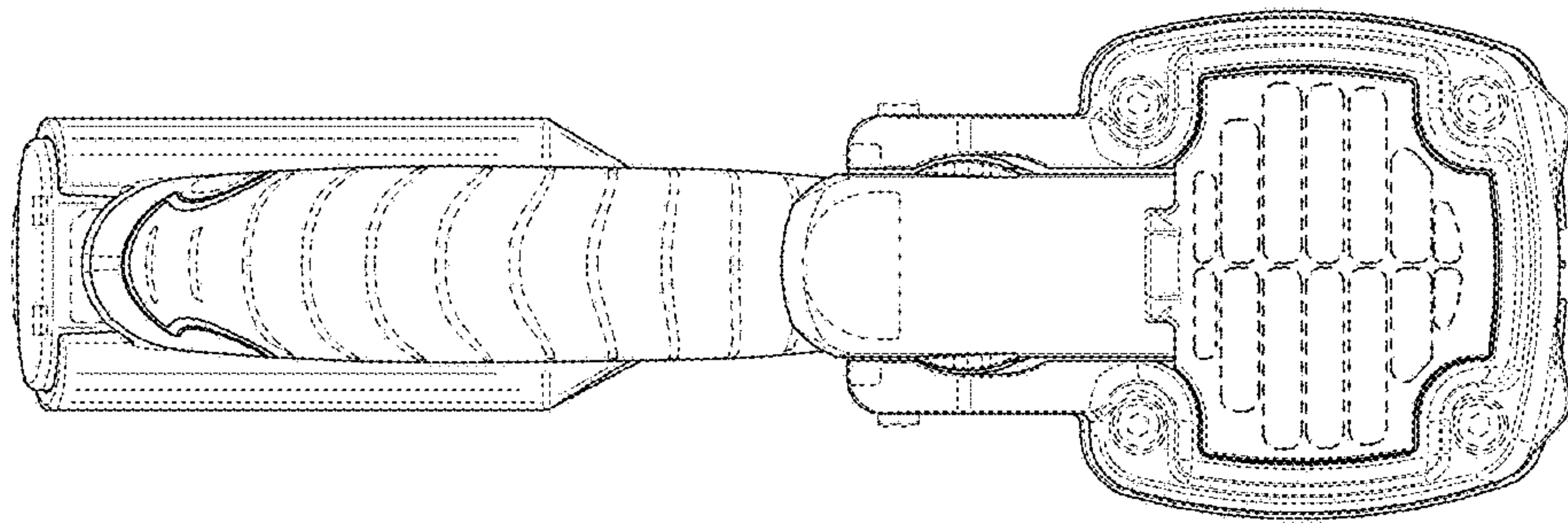


FIG. 6

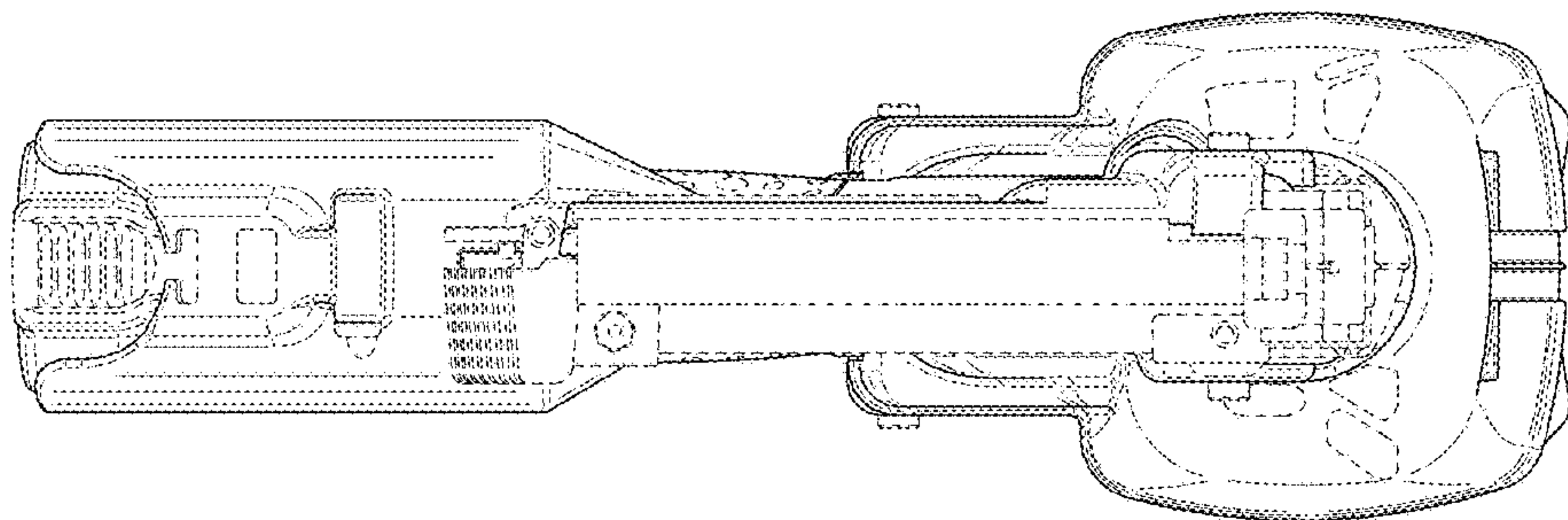


FIG. 7