



US00D862187S

(12) **United States Design Patent**
Borras Marques

(10) **Patent No.:** **US D862,187 S**

(45) **Date of Patent:** **** Oct. 8, 2019**

(54) **CIRCULAR SAW**

(71) Applicant: **GERMANS BOADA, S.A.**, Rubi (ES)

(72) Inventor: **Cristina Borras Marques**, Rubi (ES)

(**) Term: **15 Years**

(21) Appl. No.: **35/505,896**

(22) Filed: **Oct. 1, 2018**

(80) **Hague Agreement Data**

Int. Filing Date: **Oct. 1, 2018**

Int. Reg. No.: **DM/103160**

Int. Reg. Date: **Oct. 1, 2018**

Int. Reg. Pub. Date: **Oct. 19, 2018**

(30) **Foreign Application Priority Data**

Apr. 27, 2018 (EM) 005251139-0001

(51) **LOC (12) Cl.** **08-03**

(52) **U.S. Cl.**
USPC **D8/66**

(58) **Field of Classification Search**
USPC D8/66
See application file for complete search history.

(56) **References Cited**

U.S. PATENT DOCUMENTS

D449,503 S * 10/2001 Tsuzuki D8/66
D453,099 S * 1/2002 Welsh D8/66

D474,952 S * 5/2003 Andriolo D8/66
D507,949 S * 8/2005 Chunn D8/66
D514,411 S * 2/2006 Yuen D8/66
D568,705 S * 5/2008 Lopano D8/66
D578,853 S * 10/2008 Gallagher D8/66
D653,513 S * 2/2012 Tirone D8/66
D713,702 S * 9/2014 Perez D8/66
D790,305 S * 6/2017 Waldron D8/66
D790,306 S * 6/2017 Waldron D8/66
D814,899 S * 4/2018 Suzuki D8/66
D829,523 S * 10/2018 Kosugi D8/66
2011/0252653 A1 * 10/2011 Twedell B27B 5/29
30/519

* cited by examiner

Primary Examiner — Deanna L Pratt

(57) **CLAIM**

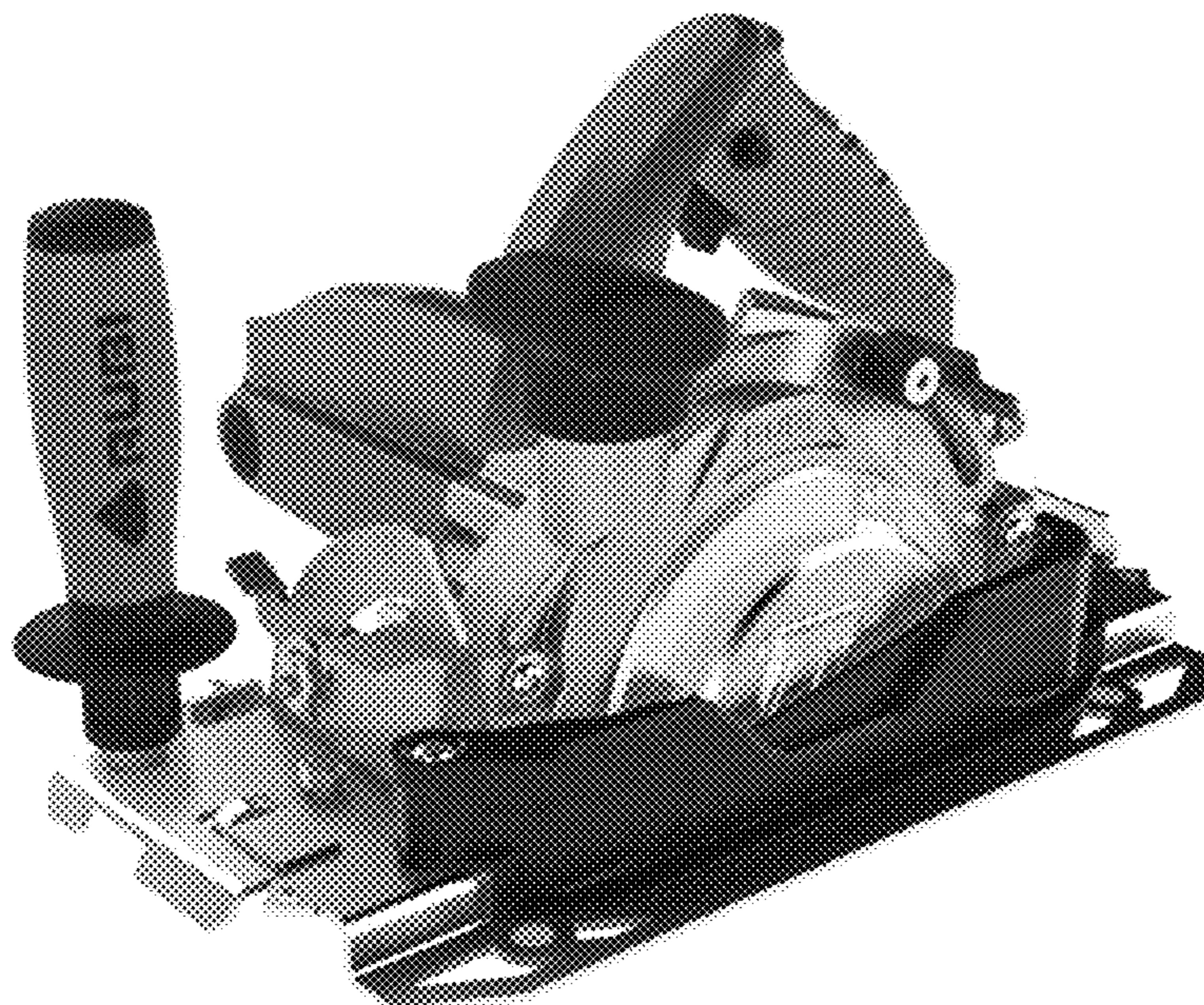
The ornamental design for an circular saw, as shown and described.

DESCRIPTION

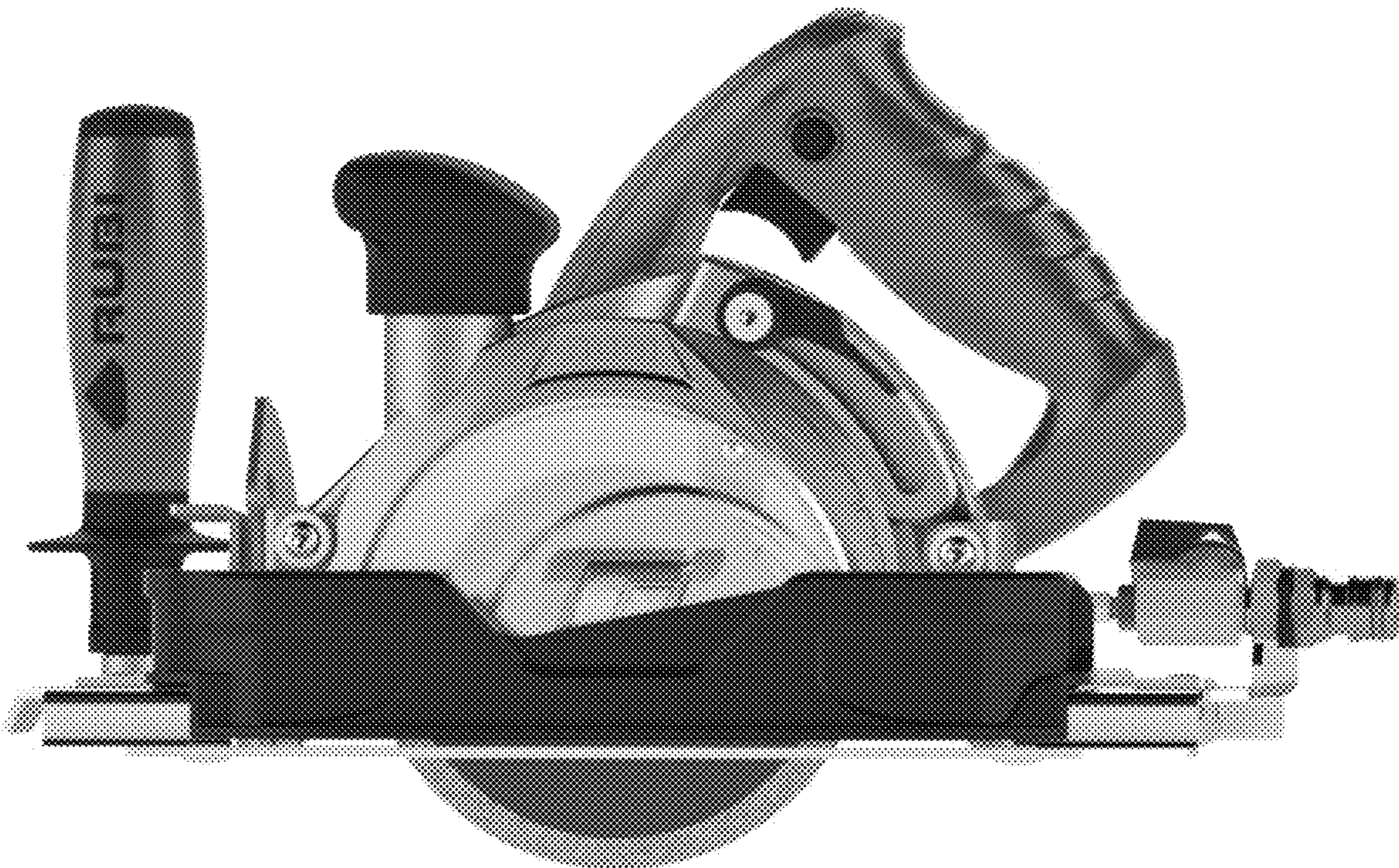
The patent or application file contains at least one drawing executed in color. Copies of this patent or patent application publication with color drawing(s) will be provided by the Office upon request and payment of the necessary fee.

- 1. Circular saw
- 1.1: Left Side
- 1.2: Right Side
- 1.3: Top
- 1.4: Top
- 1.5: Bottom
- 1.6: Perspective

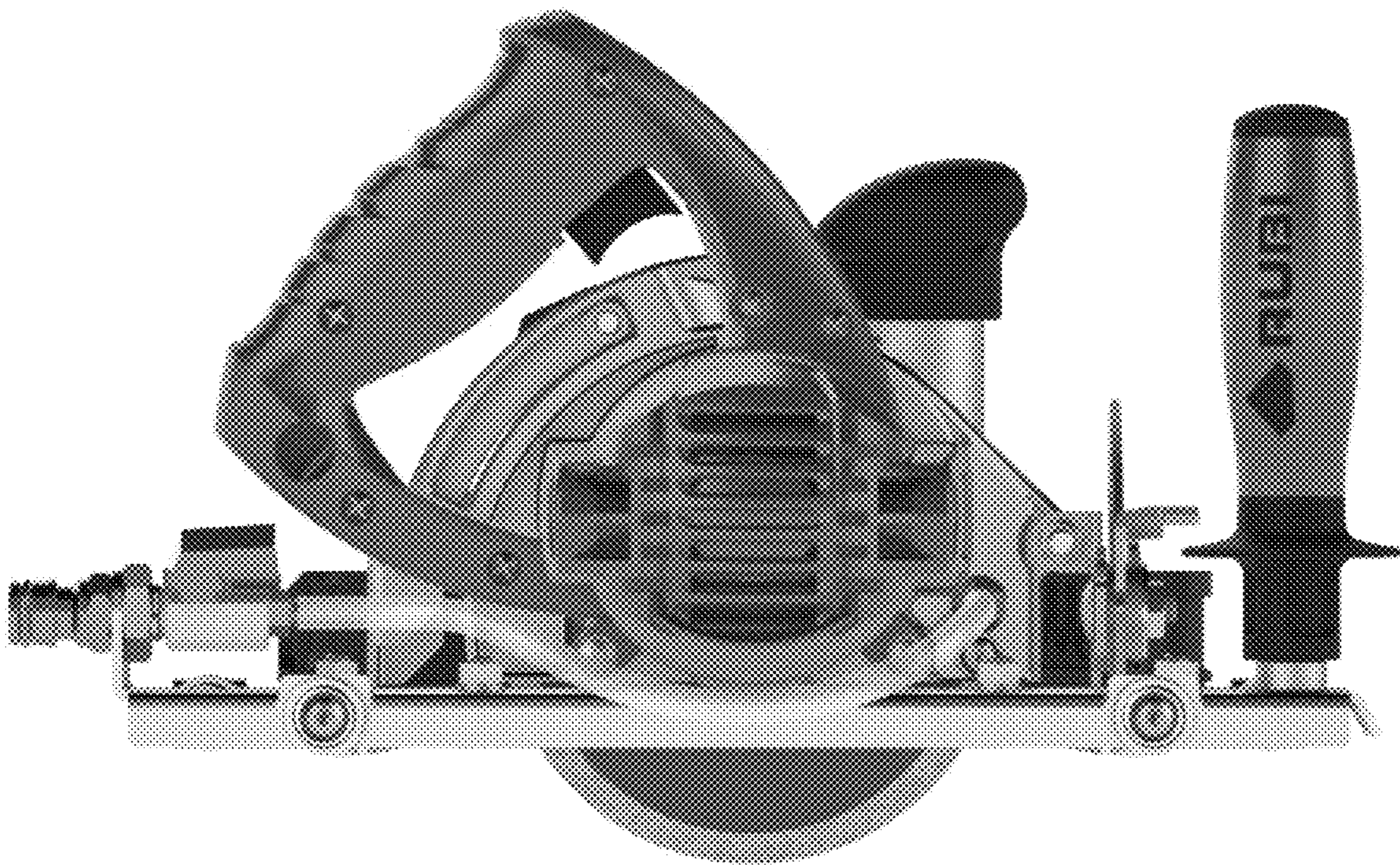
1 Claim, 6 Drawing Sheets
(6 of 6 Drawing Sheet(s) Filed in Color)



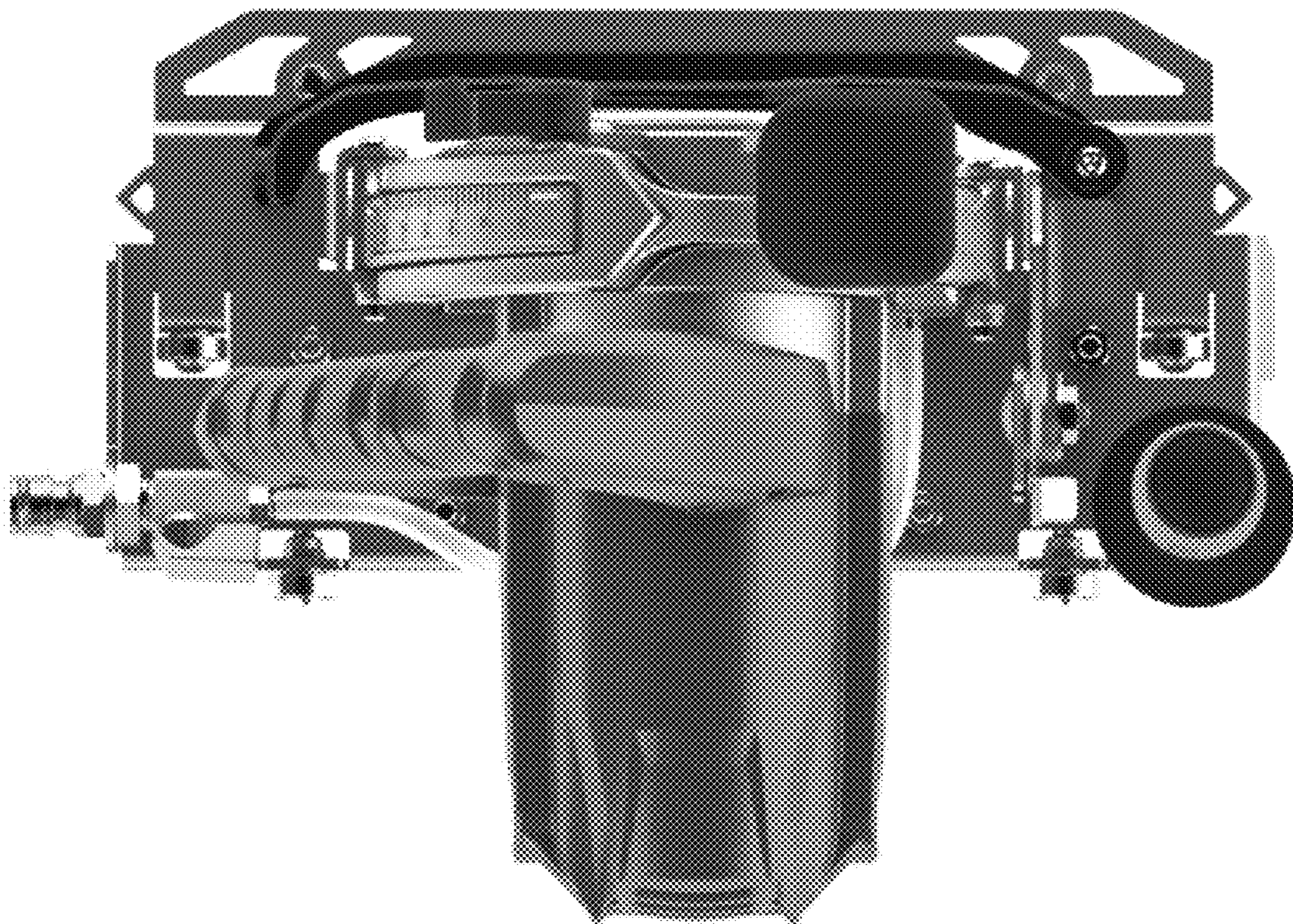
1.1



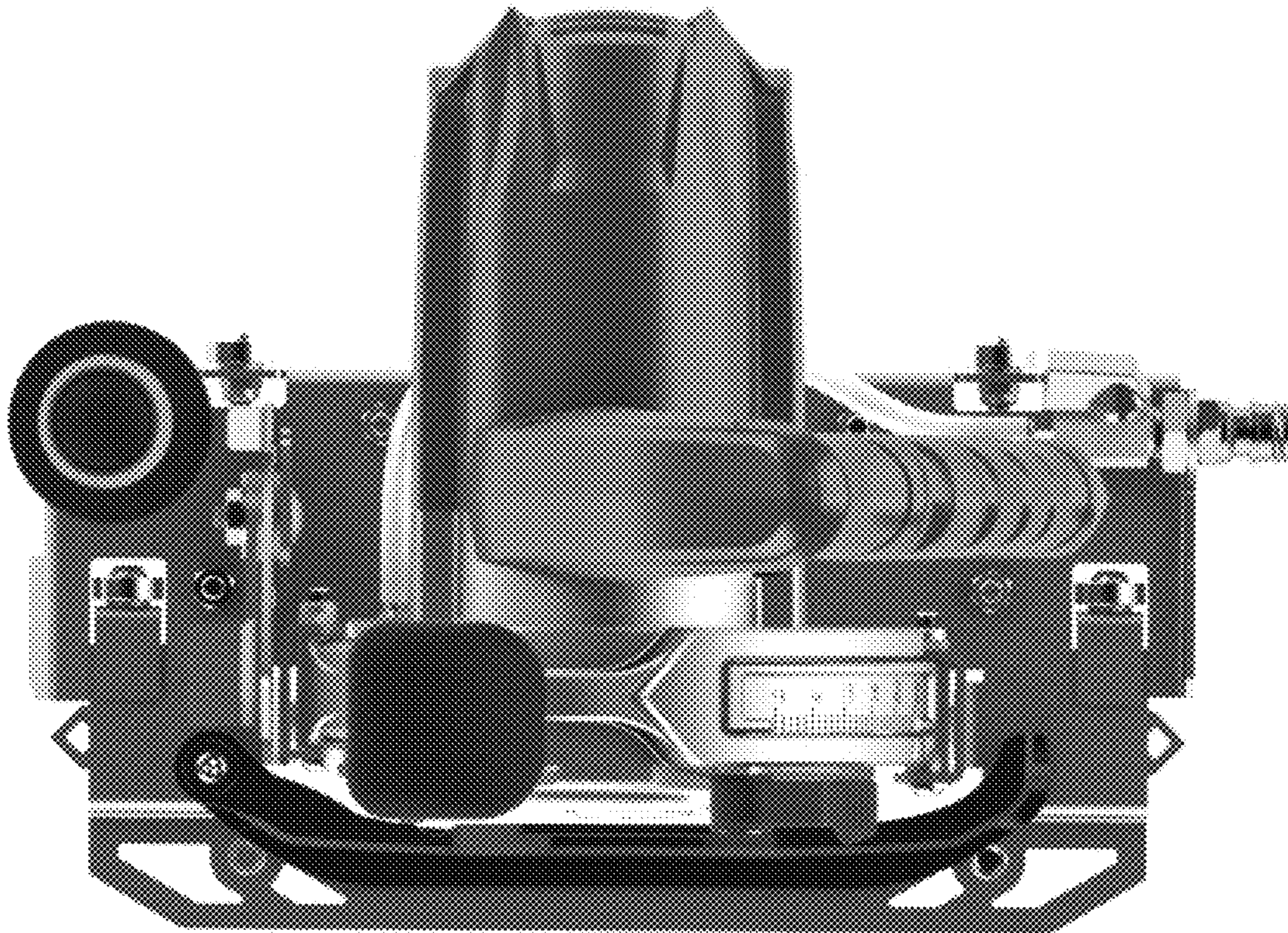
1.2



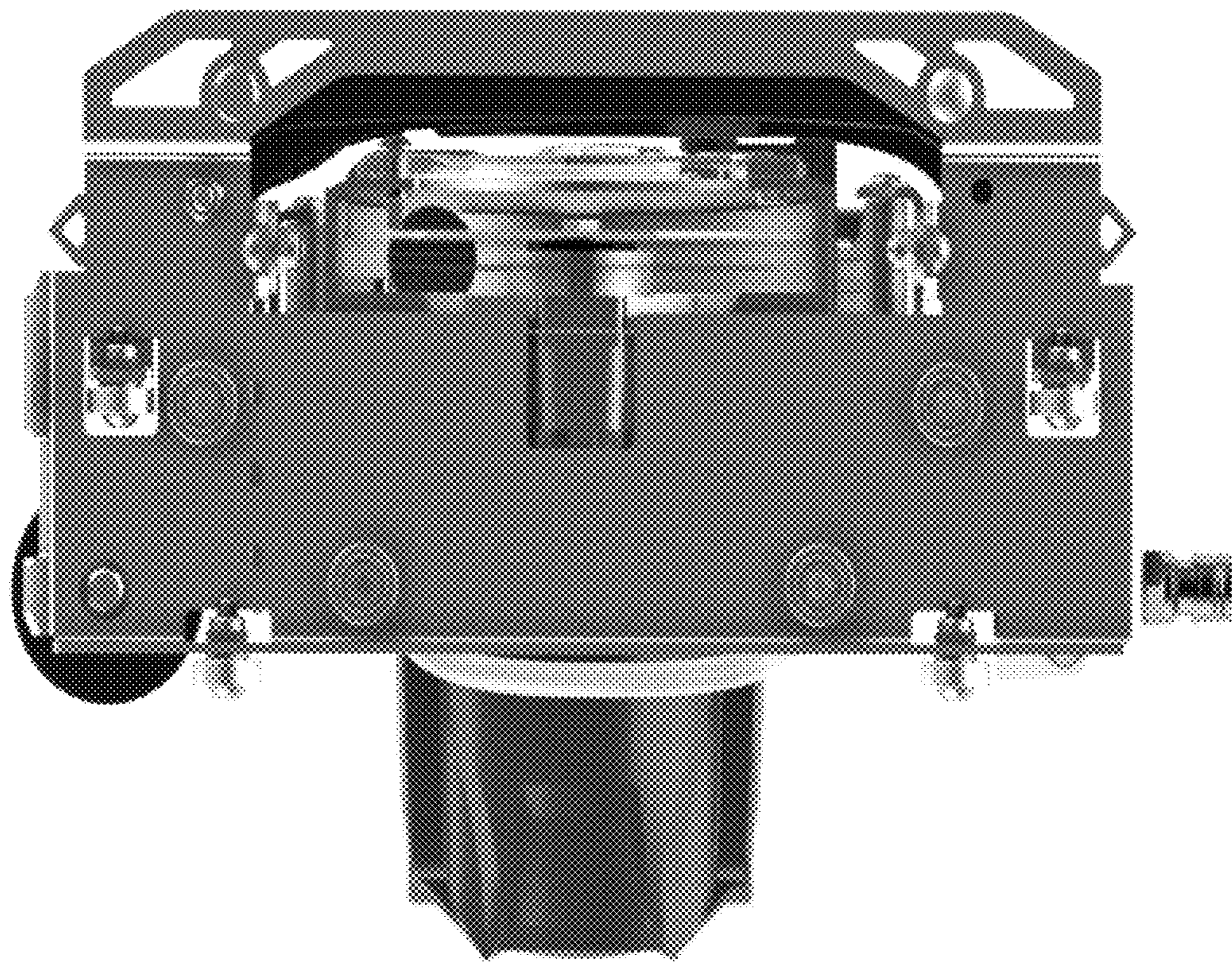
1.3



1.4



1.5



1.6

