



US00D862186S

(12) **United States Design Patent** (10) **Patent No.:** **US D862,186 S**
Oates et al. (45) **Date of Patent:** **** Oct. 8, 2019**

(54) **COMPRESSION ROLLER** 5,184,446 A * 2/1993 Gustavsen A47G 27/0487
 280/79.11
 (71) Applicant: **HUBER ENGINEERED WOODS** 5,242,362 A 9/1993 Talamantez
LLC, Charlotte, NC (US) 5,401,231 A 3/1995 Herbert
 5,437,593 A * 8/1995 Gustavsen A47G 27/0487
 15/230.11
 (72) Inventors: **Michael John Oates**, Charlotte, NC 5,713,095 A * 2/1998 Wakat B05C 17/0207
 (US); **Bradley Karel Halley**, Athens, GA (US); **Reuben C. Rudisill**,
 Jefferson, GA (US); **Kimberly Presti**,
 Charlotte, NC (US); **Joseph Pruitt**,
 Athens, GA (US); **Blake Edward**
Gordon, Atlanta, GA (US); **Jose**
Manuel Gamboa Mata, Alpharetta, GA
 (US) 5,846,176 A 12/1998 Zieger et al.
 6,049,970 A 4/2000 Reis et al.
 (Continued)

(73) Assignee: **Huber Engineered Woods, LLC**,
 Charlotte, NC (US)

(**) Term: **15 Years**

(21) Appl. No.: **29/627,558**
 (22) Filed: **Nov. 28, 2017**
 (51) **LOC (12) Cl.** **08-05**
 (52) **U.S. Cl.**
 USPC **D8/51**
 (58) **Field of Classification Search**
 USPC D8/14, 51, 375; D4/122; D21/779
 CPC A47G 27/0487; E04F 21/00; E04F 22/00
 See application file for complete search history.

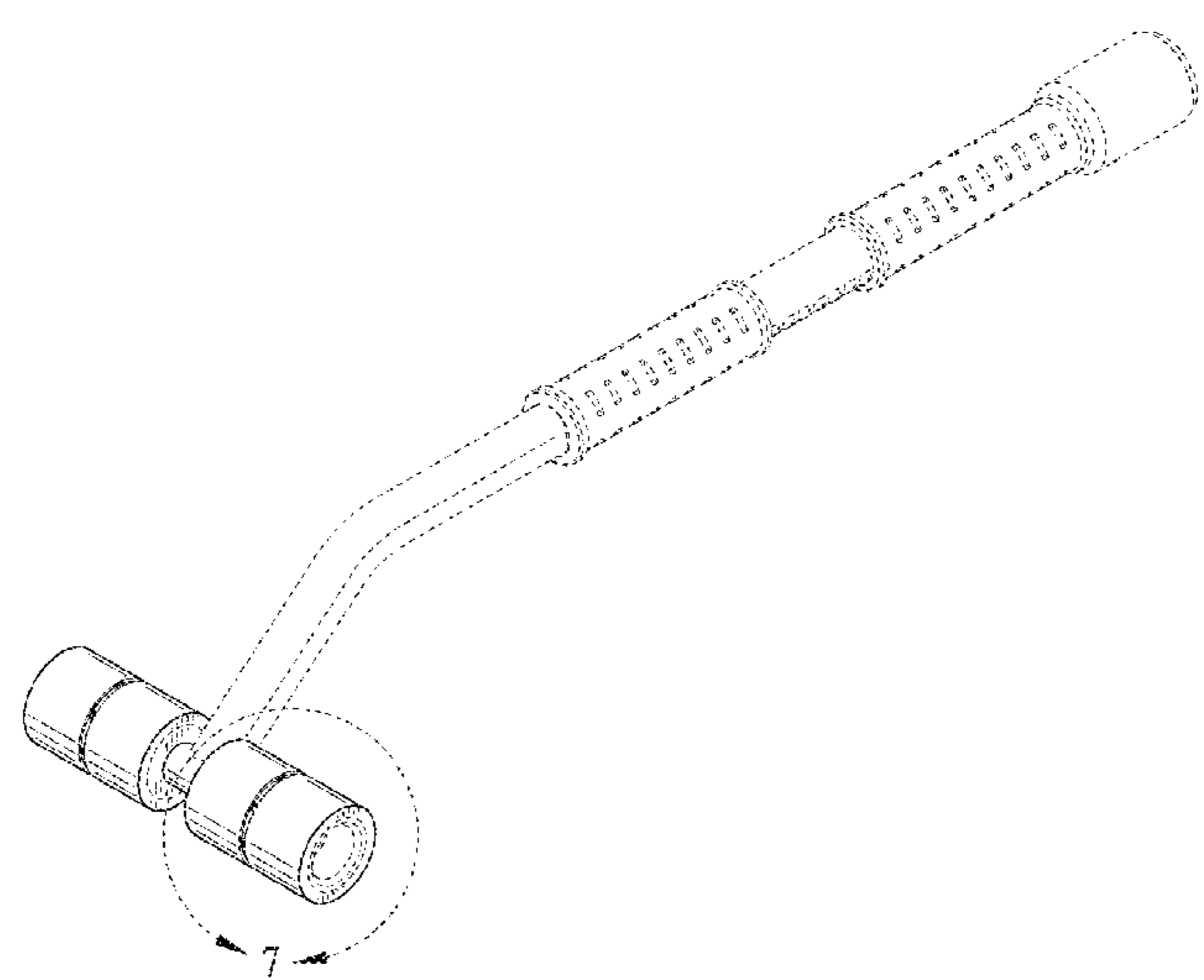
(56) **References Cited**
 U.S. PATENT DOCUMENTS
 2,321,551 A * 6/1943 Loder C07C 5/10
 568/799
 2,693,893 A * 11/1954 Rice B05C 17/0232
 15/27
 3,082,459 A 3/1963 Johnson
 3,547,204 A 12/1970 Urban
 4,274,202 A 6/1981 Petrick

Primary Examiner — Philip S Hyder
 (74) *Attorney, Agent, or Firm* — Gardner Groff &
 Greenwald, PC

(57) **CLAIM**
 The ornamental design of a compression roller, as shown
 and described.

DESCRIPTION
 FIG. 1 is a perspective view of a compression roller accord-
 ing to the present invention.
 FIG. 2 is a distal/roller end view of the compression roller
 of FIG. 1.
 FIG. 3 is a proximal/handle end view of the compression
 roller of FIG. 1.
 FIG. 4 is a left side view of the compression roller of FIG.
 1, the right side view being a mirror image thereof.
 FIG. 5 is a plan view of the compression roller of FIG. 1.
 FIG. 6 is a bottom view of the compression roller of FIG. 1.
 FIG. 7 is a perspective view of a portion of the compression
 roller of FIG. 1.
 FIG. 8 is a perspective view of a portion of the compression
 roller showing a detail indicated in FIG. 7; and,
 FIG. 9 is a plan view of a portion of the compression roller
 showing a detail indicated in FIG. 5.
 The broken lines shown in the drawings illustrate portions of
 the compression roller that form no part of the claimed
 design.

1 Claim, 4 Drawing Sheets



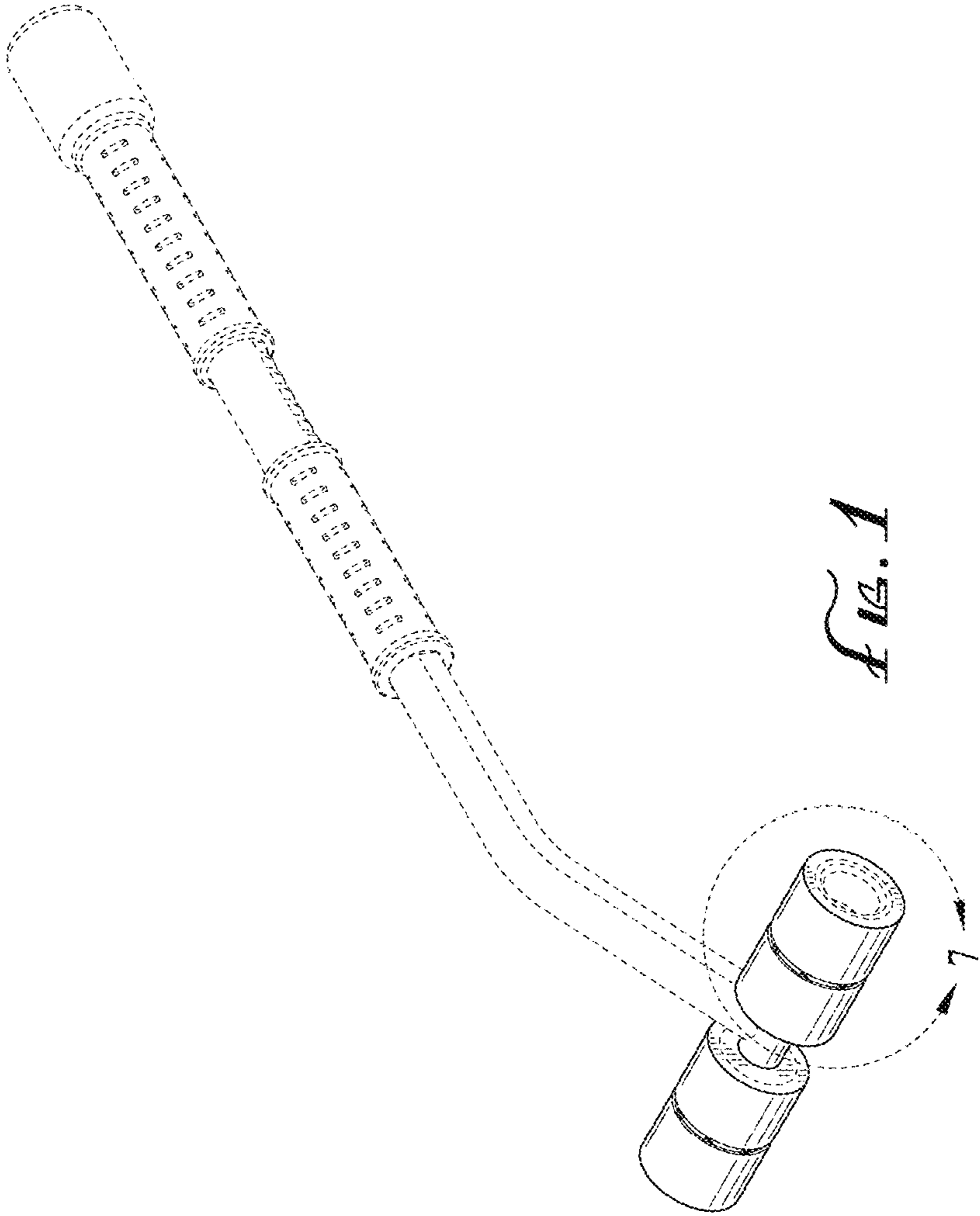
(56)

References Cited

U.S. PATENT DOCUMENTS

6,135,934 A 10/2000 Couch
6,536,498 B1 3/2003 Srinivasan et al.
D498,397 S * 11/2004 Mitchell D8/14
6,875,162 B2 * 4/2005 Barksdale E04D 5/145
492/13
D592,490 S * 5/2009 Frame D8/375
8,112,950 B2 2/2012 Bennett et al.
D661,491 S * 6/2012 Bunnag D4/122
D700,709 S * 3/2014 Khodabakhshian D24/211
D706,601 S * 6/2014 Thurston D8/51
8,888,670 B2 11/2014 Grubbs
D835,741 S * 12/2018 Merz D21/779
2007/0125475 A1 6/2007 Cecilio et al.

* cited by examiner



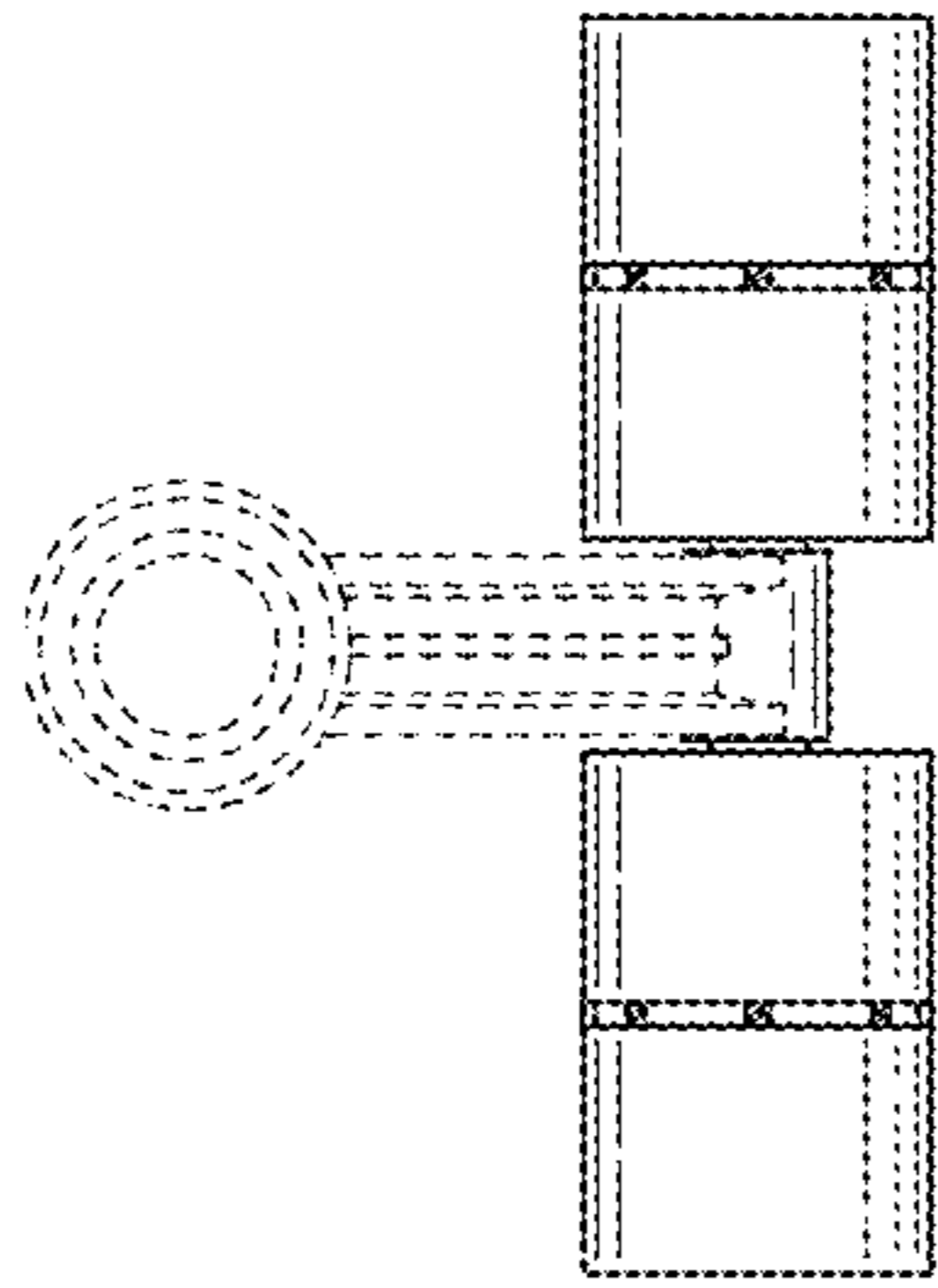


FIG. 2

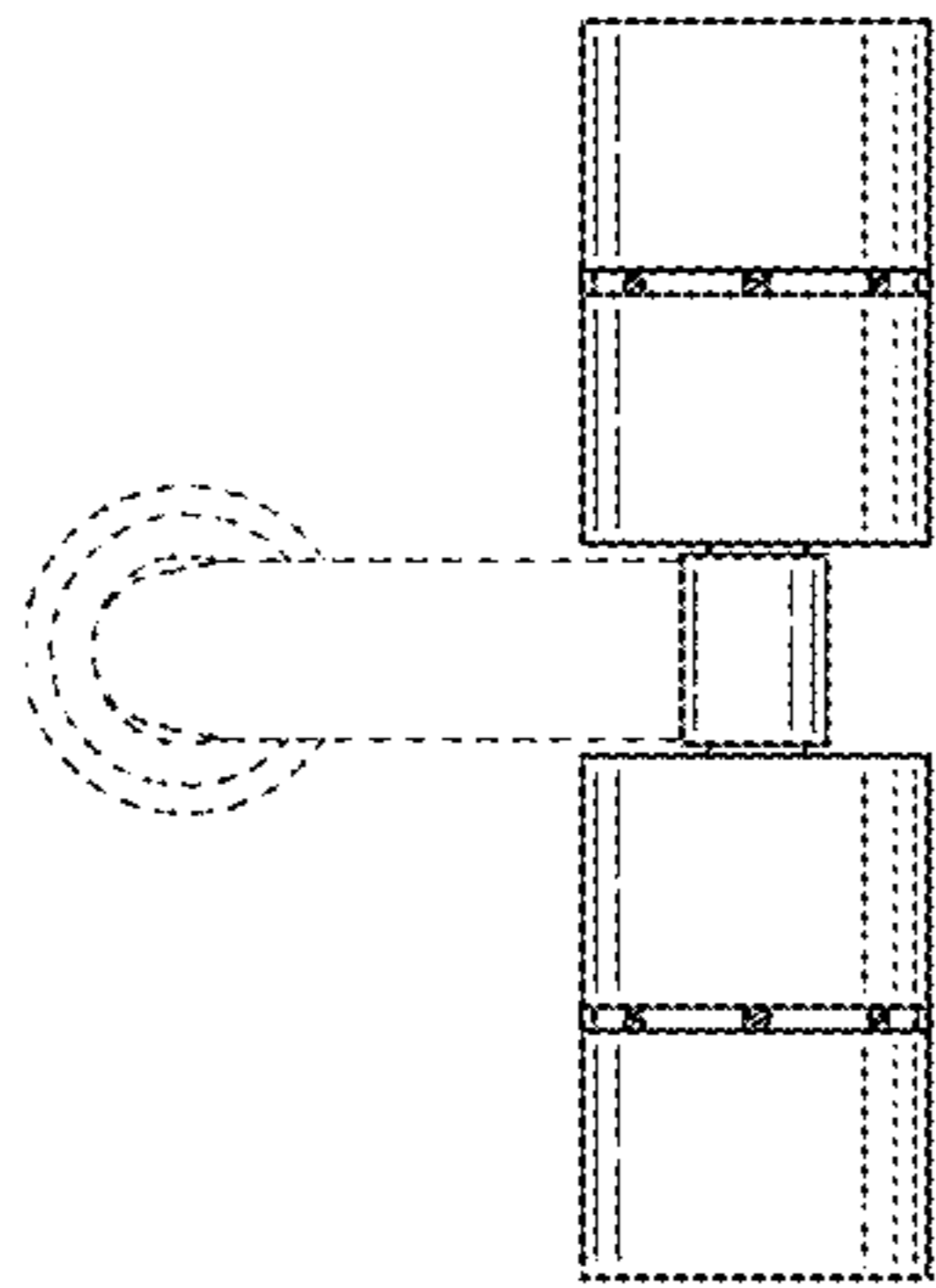


FIG. 3

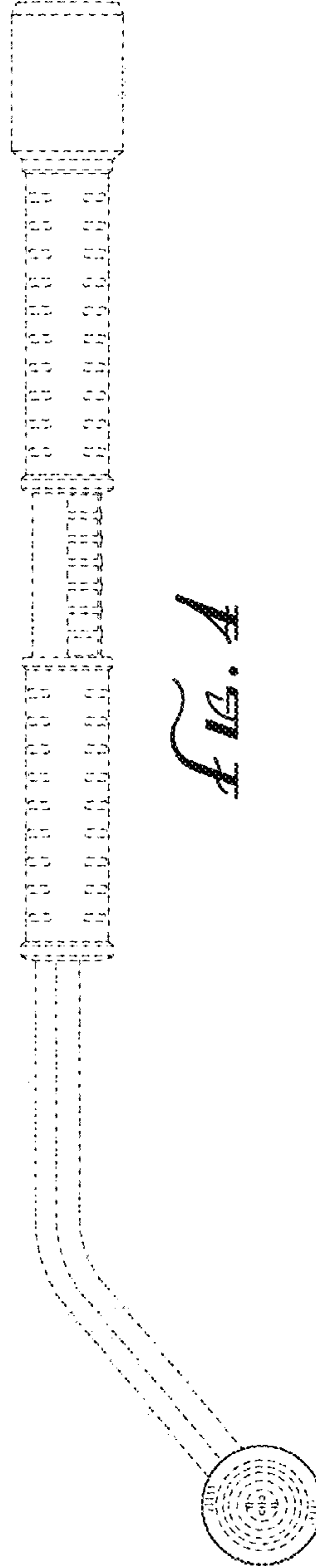
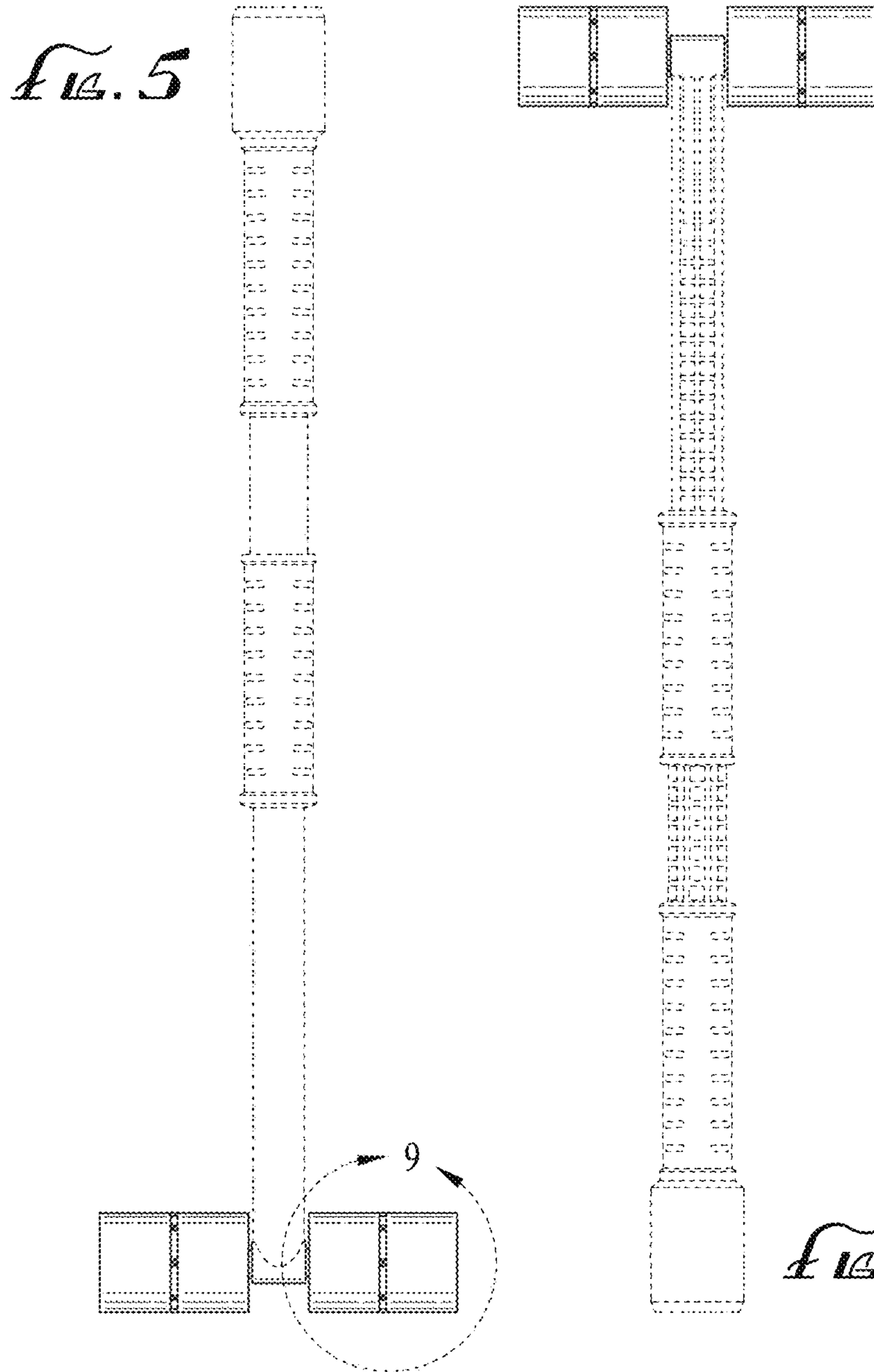


FIG. 4



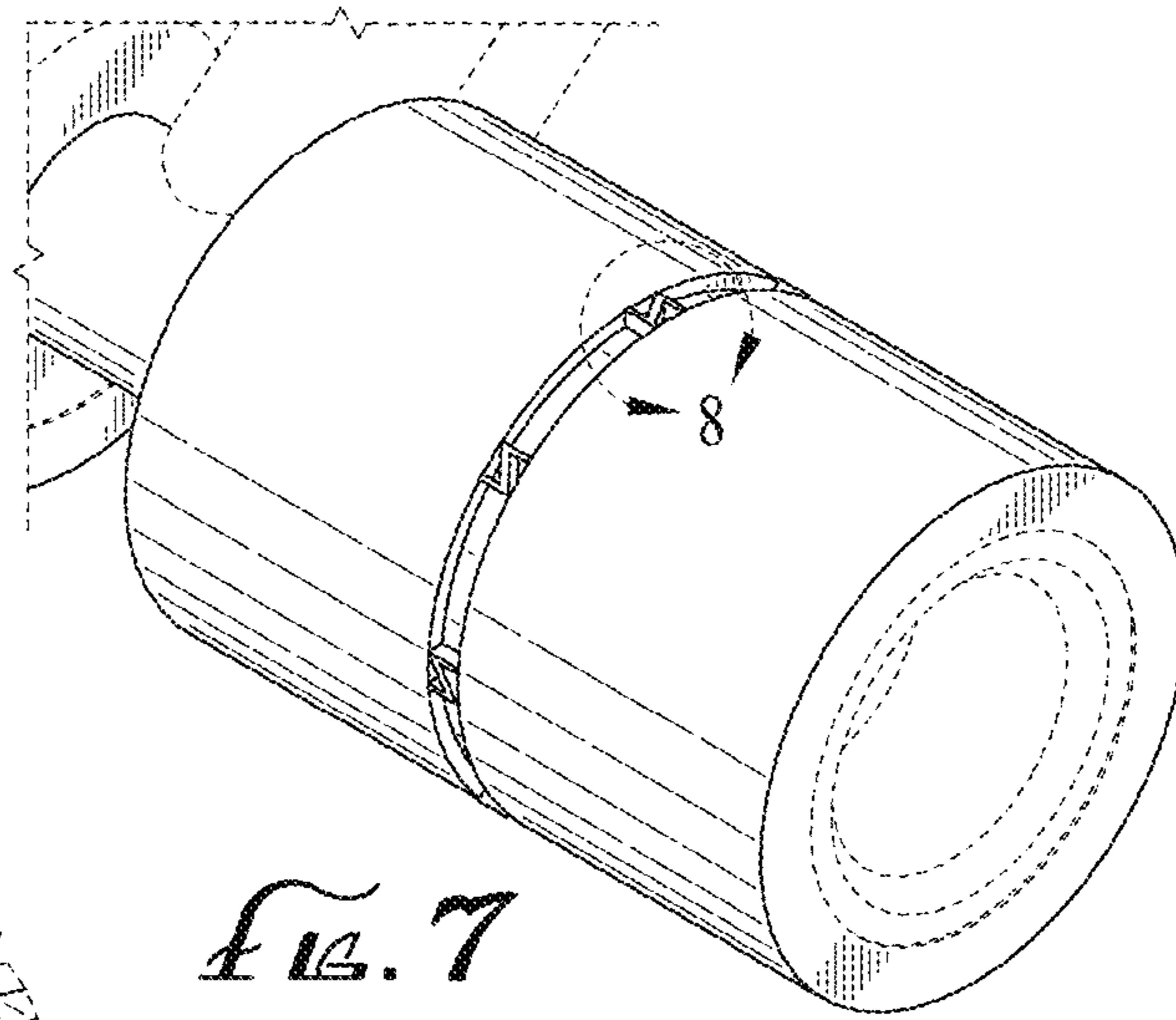


Fig. 7

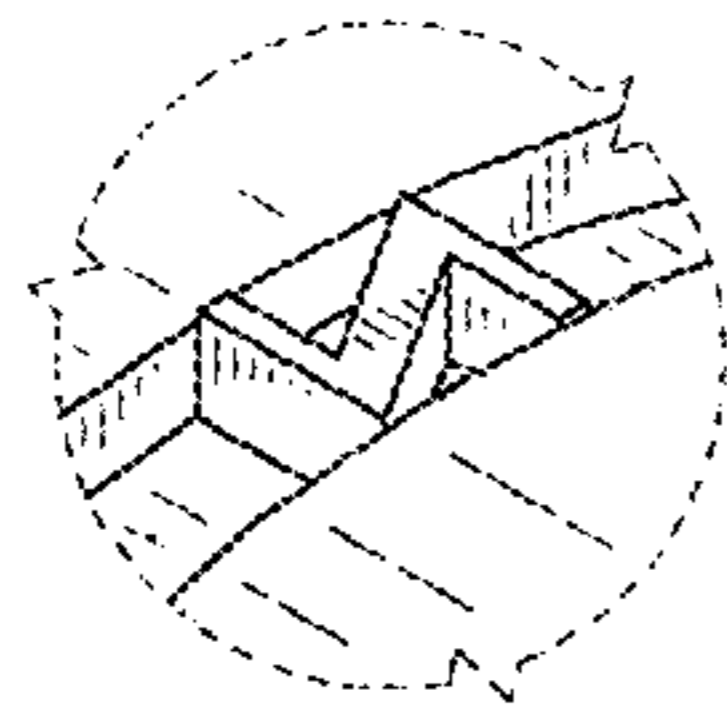


Fig. 8

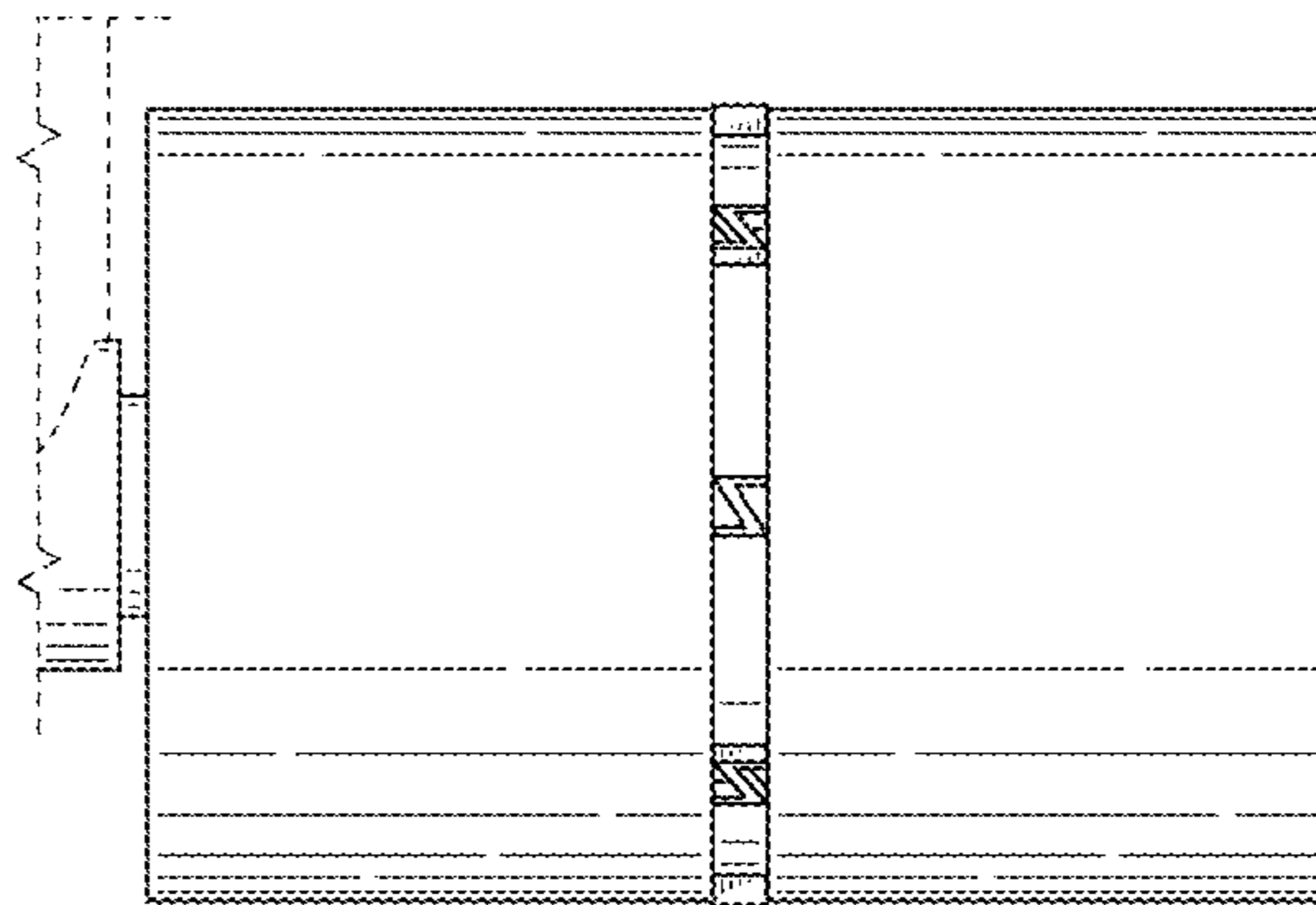


Fig. 9