

US00D862185S

(12) **United States Design Patent**
Dai

(10) **Patent No.:** **US D862,185 S**

(45) **Date of Patent:** **** Oct. 8, 2019**

- (54) **TOOL BLADE**
- (71) Applicant: **ShenZhen YiHong Technology Co., LTD**, ShenZhen, Guangdong (CN)
- (72) Inventor: **Yi Dai**, ShenZhen (CN)
- (73) Assignee: **SHENZHEN YIHONG TECHNOLOGY CO., LTD**, Shenzhen, Guangdong Province (CN)
- (**) Term: **15 Years**
- (21) Appl. No.: **29/695,396**
- (22) Filed: **Jun. 19, 2019**
- (51) **LOC (12) Cl.** **08-03**
- (52) **U.S. Cl.**
USPC **D8/20**
- (58) **Field of Classification Search**
USPC D8/20, 95-100, 105, 106; D24/146
CPC B23D 61/006; B23D 61/025; B24B 23/04;
B24B 45/00; B24B 45/003; B25F 3/00
See application file for complete search history.

- 8,403,341 B2 * 3/2013 Zaiser B24B 23/04
279/128
- D682,652 S * 5/2013 McRoberts D8/20
- D693,193 S * 11/2013 Bozic D8/20
- D694,076 S * 11/2013 Davidian D8/20
- D694,077 S * 11/2013 Bozic D8/20
- 8,616,562 B2 * 12/2013 Maras B25F 3/00
279/143
- 8,640,580 B2 * 2/2014 Bohne B24B 23/04
83/13
- 8,925,931 B2 * 1/2015 Sergyeyenko B24B 23/04
279/141
- 9,044,874 B2 * 6/2015 Zhang B27B 5/32
- 9,073,195 B2 * 7/2015 Kaye, Jr. B25F 3/00
- 9,186,770 B2 * 11/2015 Montplaisir B24B 23/04
- 9,242,361 B2 * 1/2016 Kaye, Jr. B25F 3/00

(Continued)

(56) **References Cited**

U.S. PATENT DOCUMENTS

- D343,247 S * 1/1994 Walen D24/146
- 5,366,312 A * 11/1994 Raines B24B 45/00
403/3
- D360,946 S * 8/1995 Goris D24/146
- D362,065 S * 9/1995 Goris D24/146
- D394,315 S * 5/1998 Fisher A61B 17/14
D24/146
- D404,485 S * 1/1999 Hutchins D24/146
- D459,805 S * 7/2002 Pascaloff D24/146
- 6,949,110 B2 * 9/2005 Ark A61B 17/142
173/217
- 7,189,239 B2 * 3/2007 Fisher B23D 51/10
606/176
- D651,499 S * 1/2012 Tong D8/70
- 8,113,520 B2 * 2/2012 Zaiser B24B 23/04
279/128

OTHER PUBLICATIONS

Ryker Hardware, Quick Release Oscillating Saw Blades—10 Piece Tool Set, 244 customer reviews, ASIN: B01LN3X18U, on Amazon.com, Date First Available: Sep. 6, 2016.*

Primary Examiner — Elizabeth A. Albert
(74) *Attorney, Agent, or Firm* — Jeanette Meng Nakagawa

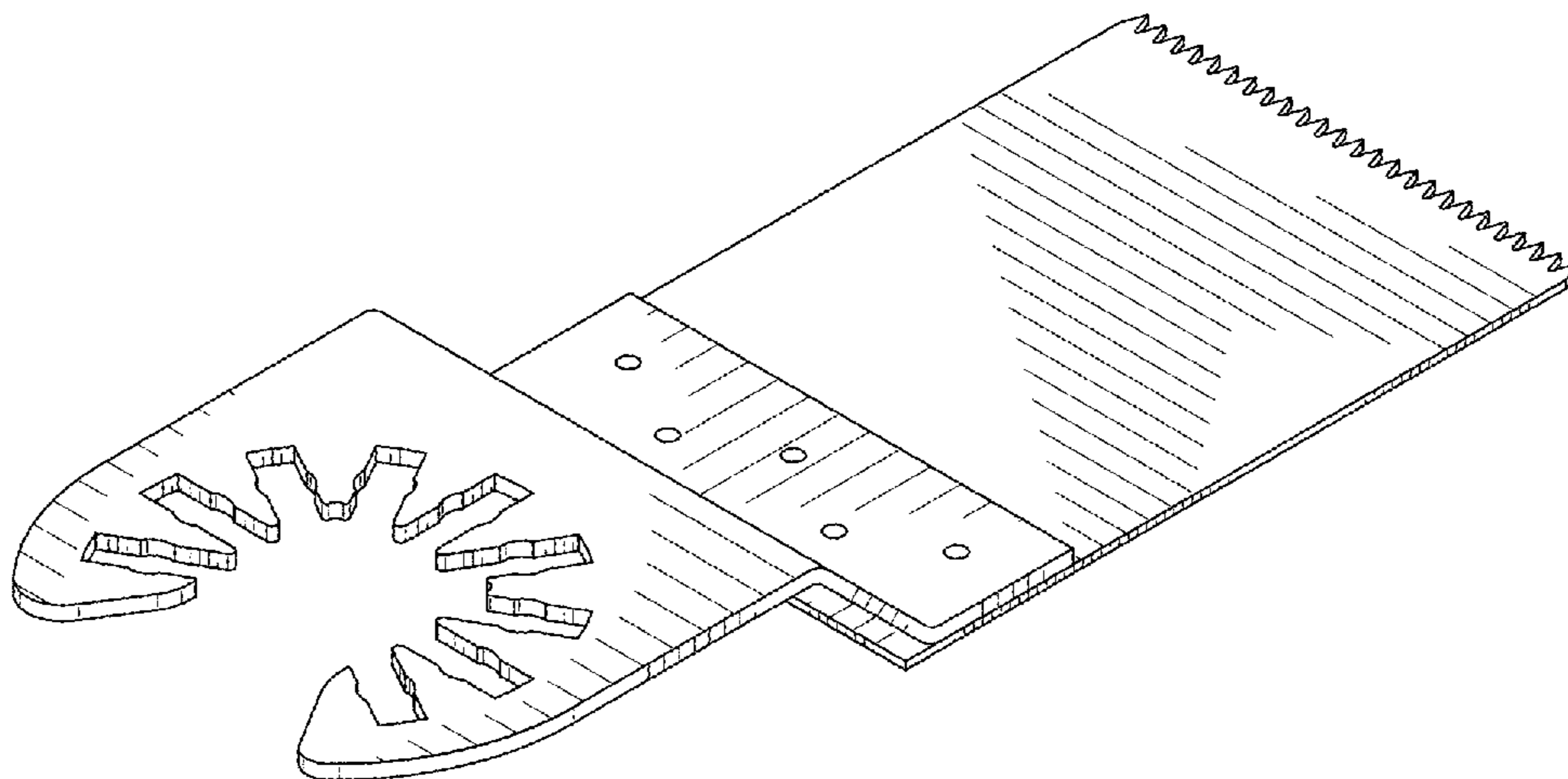
(57) **CLAIM**

The ornamental design for a tool blade, as shown and described.

DESCRIPTION

FIG. 1 is a front perspective view of a tool blade showing my new design;
FIG. 2 is a right side view thereof;
FIG. 3 is a top view thereof;
FIG. 4 is a front view thereof;
FIG. 5 is a left side view thereof;
FIG. 6 is a back view thereof; and,
FIG. 7 is a bottom view thereof.

1 Claim, 2 Drawing Sheets



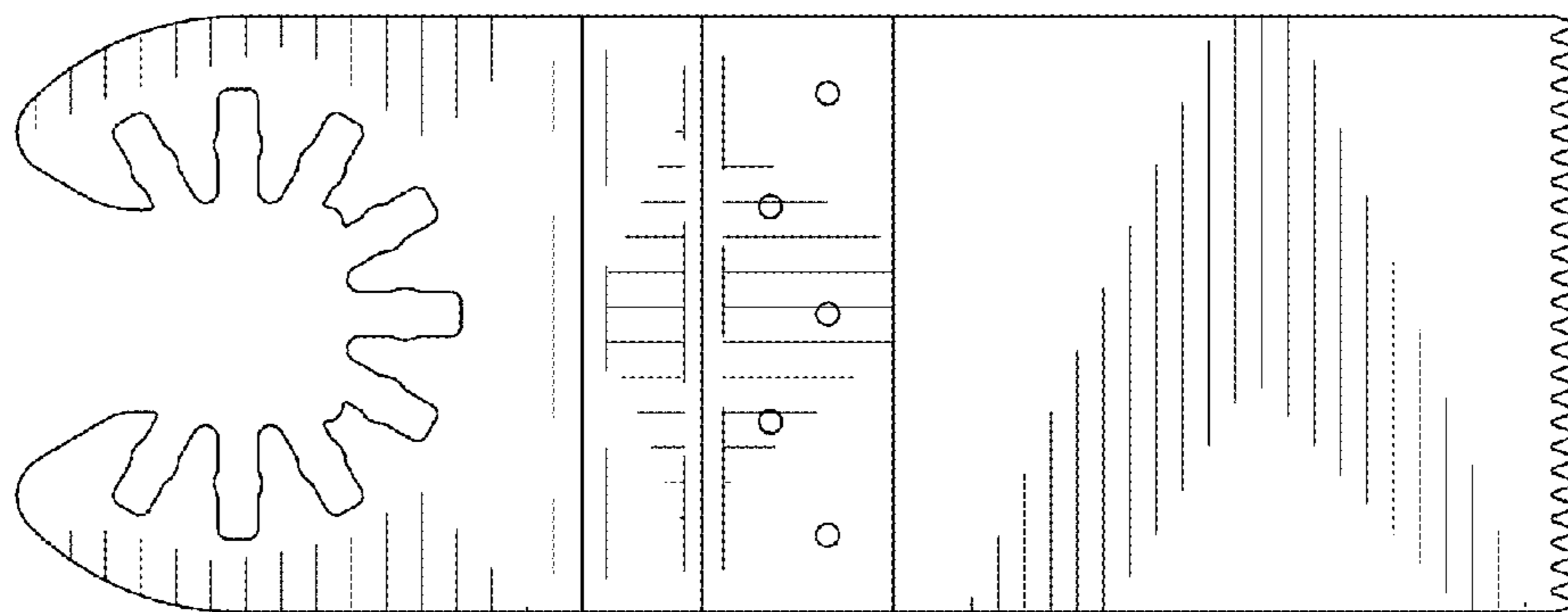
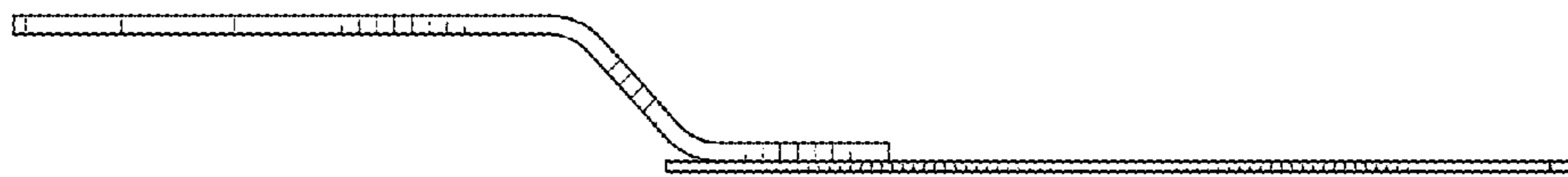
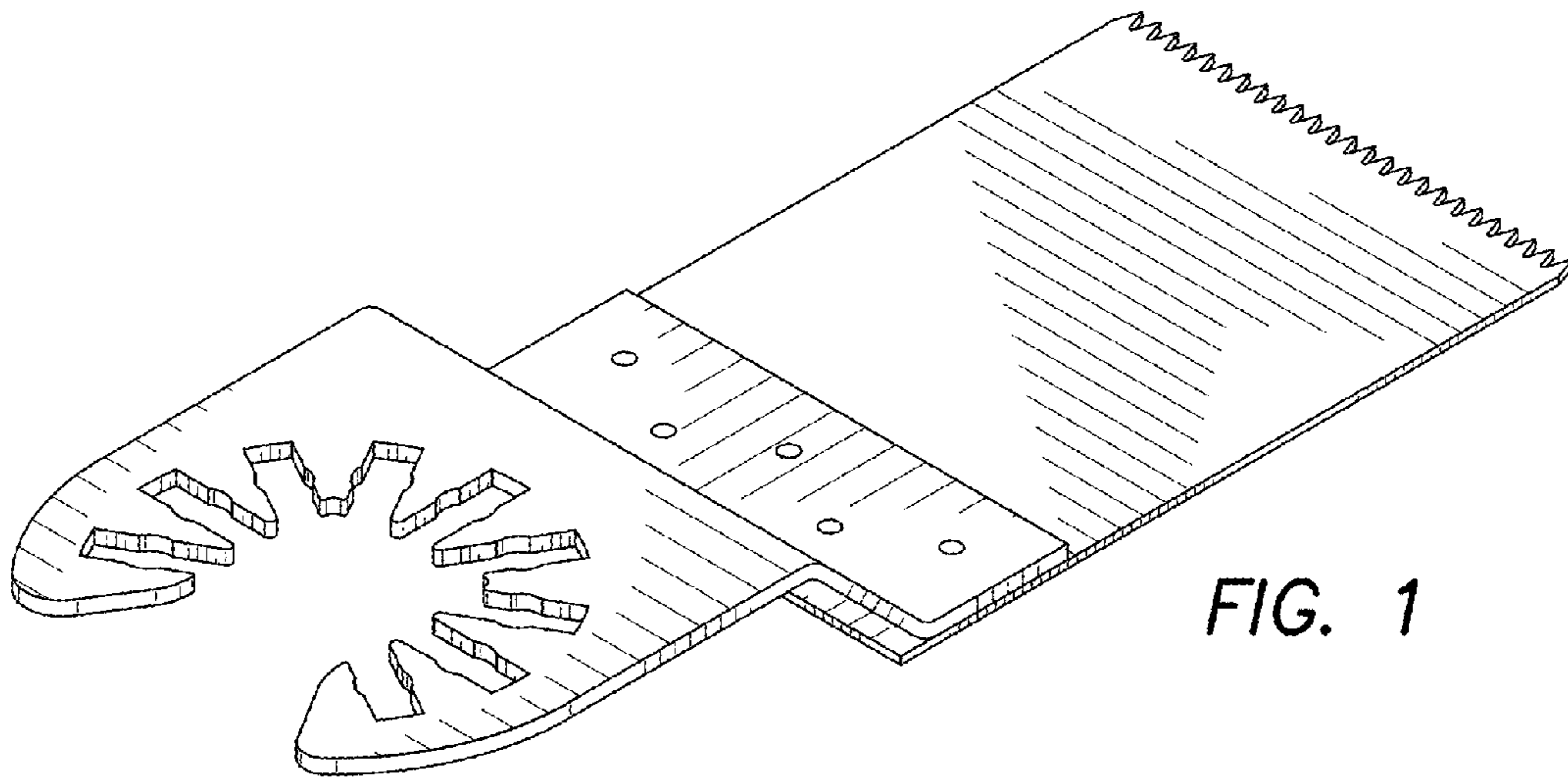
(56)

References Cited

U.S. PATENT DOCUMENTS

9,272,435	B2 *	3/2016	Bohne	B24B 23/04
9,346,183	B2 *	5/2016	Fankhauser	B27B 5/32
9,486,887	B2 *	11/2016	Fankhauser	B23D 51/10
9,815,187	B2 *	11/2017	Kozak	B25F 3/00
10,016,904	B2 *	7/2018	Jones	B26B 7/00
10,040,186	B2 *	8/2018	Kaye, Jr.	B25F 3/00
10,076,832	B2 *	9/2018	Nagy	B24B 23/04
D832,666	S	11/2018	Kaye, Jr. et al.	
10,207,385	B2 *	2/2019	Montplaisir	B24B 23/04
10,245,716	B2 *	4/2019	Kaye, Jr.	B25F 3/00
2011/0277611	A1 *	11/2011	Chen	B23D 61/006
				83/699.51
2014/0190328	A1 *	7/2014	Karlen	B23D 61/006
				83/853
2014/0325855	A1 *	11/2014	Bozic	B23D 61/006
				30/392
2016/0185003	A1 *	6/2016	Padget	B25F 3/00
				30/388
2017/0182570	A1 *	6/2017	Dvorak	B23D 51/00
2017/0291238	A1 *	10/2017	Bernardi	B23D 61/006
2019/0176315	A1 *	6/2019	Kaye, Jr.	B25F 3/00

* cited by examiner



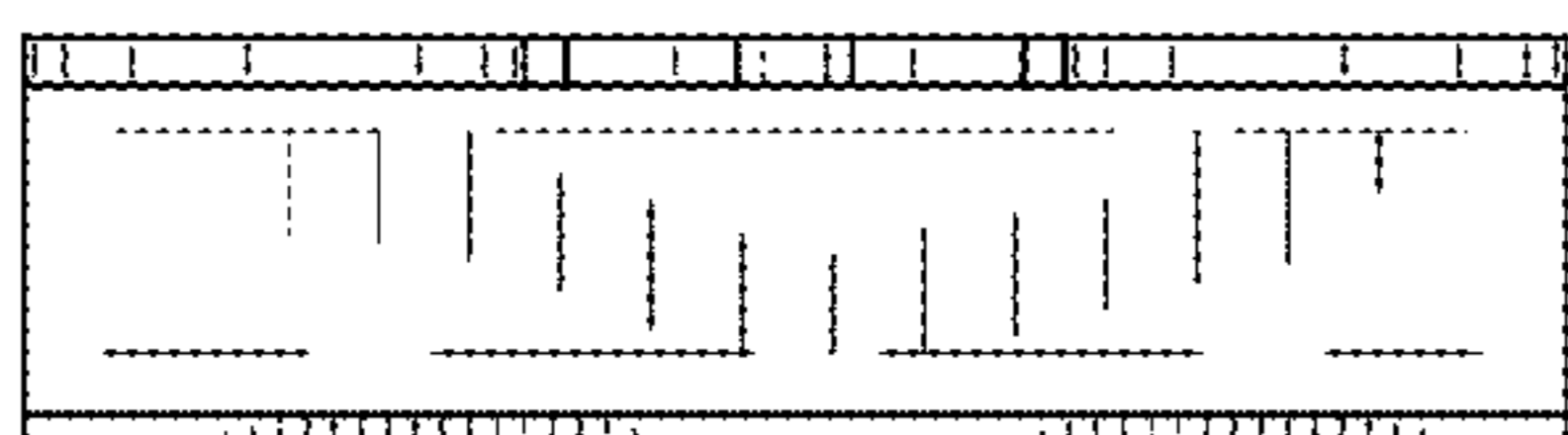


FIG. 4

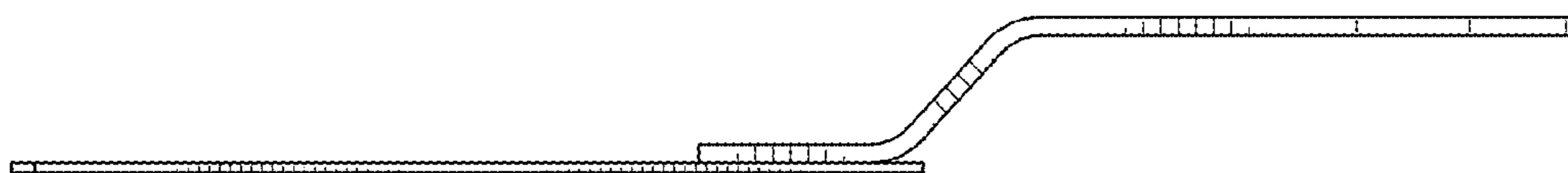


FIG. 5

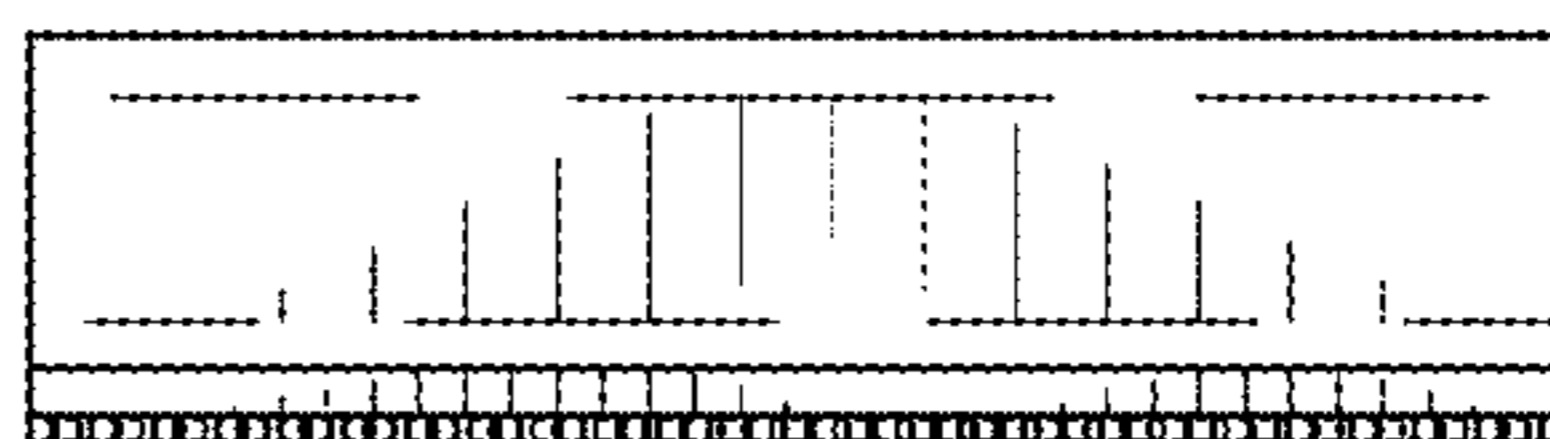


FIG. 6

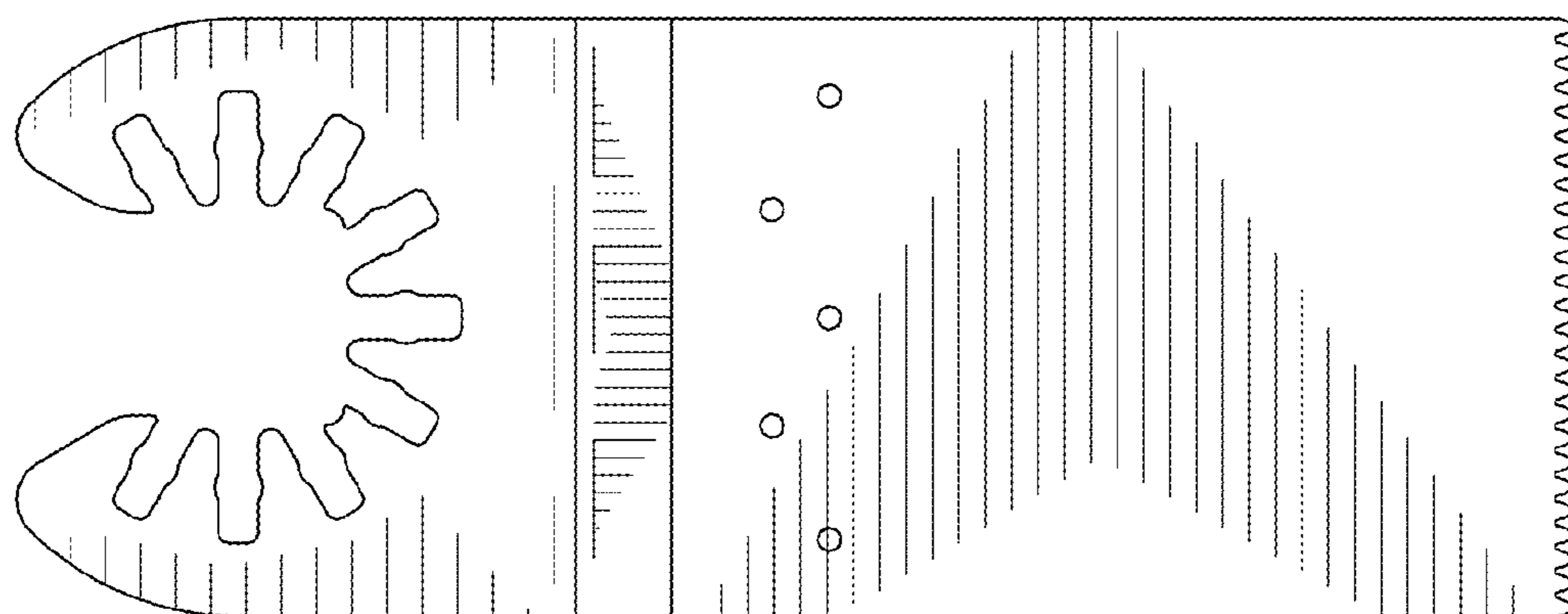


FIG. 7