



US00D862182S

(12) **United States Design Patent**  
**Hua et al.**

(10) **Patent No.:** **US D862,182 S**  
(45) **Date of Patent:** **\*\* Oct. 8, 2019**

(54) **SHOVEL**  
(71) Applicant: **CIXI HUAZHJIE PLASTIC PRODUCT CO., LTD., Zhejiang (CN)**  
(72) Inventors: **Jie Hua, Zhejiang (CN); Shimin Hua, Zhejiang (CN)**  
(73) Assignee: **CIXI HUAZHJIE PLASTIC PRODUCT CO., LTD., Zhejiang (CN)**  
(\*\*) Term: **15 Years**  
(21) Appl. No.: **29/693,577**  
(22) Filed: **Jun. 3, 2019**  
(30) **Foreign Application Priority Data**

Jan. 7, 2019 (CN) ..... 2019 3 0006851

(51) **LOC (12) Cl.** ..... **08-01**  
(52) **U.S. Cl.**  
USPC ..... **D8/10; D8/11**

(58) **Field of Classification Search**  
USPC ..... D8/6, 7, 10, 11, 107; D21/532  
CPC ..... A01B 1/02; A01B 1/022; A01B 1/026;  
A01B 1/20; A01B 1/22; A01B 15/02;  
A01B 1/08; A01B 1/06; B25G 1/00;  
B25G 1/01; B25G 1/04; B25G 1/102;  
E01H 5/02; E01H 5/00; Y10T 16/4713;  
Y10T 16/476; Y10T 16/473  
See application file for complete search history.

(56) **References Cited**

**U.S. PATENT DOCUMENTS**

2,047,485 A \* 7/1936 McBrady ..... A01B 1/022  
294/57  
D267,306 S \* 12/1982 Hyggen ..... D8/10  
D267,468 S \* 1/1983 Simms ..... 294/49  
5,533,768 A \* 7/1996 Mitchell ..... B25G 1/01  
294/54.5

5,727,831 A \* 3/1998 Dritlein, Jr. .... A01B 1/02  
294/51  
D393,990 S \* 5/1998 Whitehead ..... D8/10  
D393,991 S \* 5/1998 Tisbo ..... D8/10  
D397,005 S \* 8/1998 Whitehead ..... D8/10  
5,951,078 A \* 9/1999 Whitehead ..... E01H 5/02  
294/54.5  
D442,445 S \* 5/2001 Morgan ..... D8/10  
6,412,843 B1 \* 7/2002 Burbrink ..... A01B 1/022  
294/57  
D487,680 S \* 3/2004 Sickler ..... D8/10  
D565,366 S \* 4/2008 Buscher ..... D8/10  
7,581,771 B2 \* 9/2009 Rosine ..... A01B 1/02  
294/54.5  
D626,804 S \* 11/2010 Eash ..... D8/10  
(Continued)

*Primary Examiner* — Sandra S Snapp  
*Assistant Examiner* — Ieisha N Price  
(74) *Attorney, Agent, or Firm* — JCIPRNET

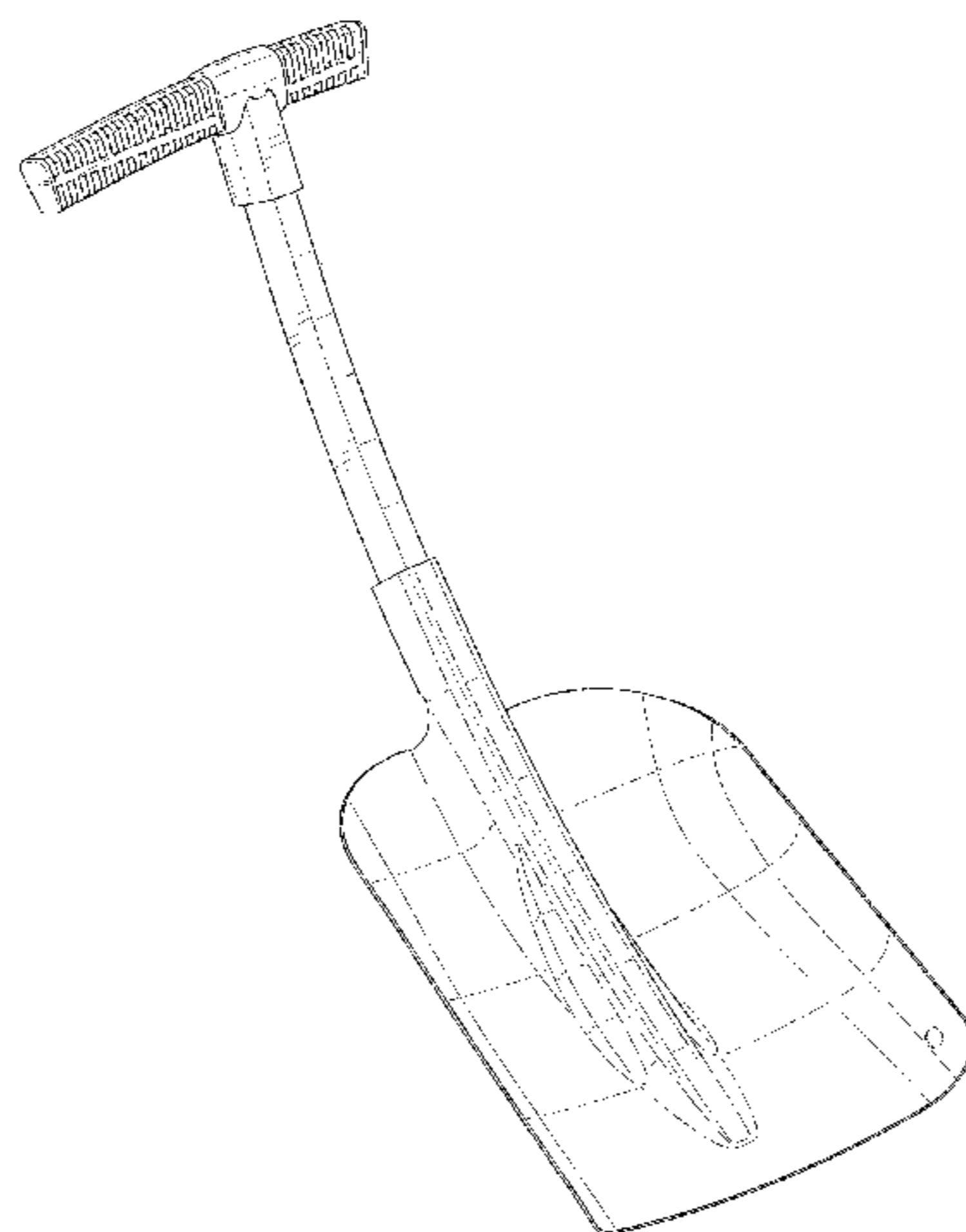
(57) **CLAIM**

The ornamental design for a shovel, as shown and described.

**DESCRIPTION**

FIG. 1 is a perspective view of a shovel showing our new design;  
FIG. 2 is a front view thereof;  
FIG. 3 is a rear view thereof;  
FIG. 4 is a left side view thereof;  
FIG. 5 is a right side view thereof;  
FIG. 6 is an enlarged top view thereof;  
FIG. 7 is an enlarged bottom view thereof;  
FIG. 8 is a perspective view thereof, being contracted for storage;  
FIG. 9 is a perspective view thereof, being changed into a hoe; and,  
FIG. 10 is a perspective view thereof, being elongated.  
The dashed broken lines illustrate portions of the shovel and form no part of the claimed design.

**1 Claim, 9 Drawing Sheets**



(56)

**References Cited**

U.S. PATENT DOCUMENTS

D711,701 S *	8/2014	Hua	.....	D8/10
D711,702 S *	8/2014	Hua	.....	D8/10
D711,704 S *	8/2014	Hua	.....	D8/10
D719,417 S *	12/2014	Hua	.....	D8/10
D766,053 S *	9/2016	Kunnas	.....	D8/10
D766,686 S *	9/2016	Kunnas	.....	D8/10
D786,635 S *	5/2017	Hua	.....	D8/10
D847,591 S *	5/2019	Kopp	.....	D8/10
D847,592 S *	5/2019	Kopp	.....	D8/10
2007/0108782 A1 *	5/2007	Walker	.....	A01B 1/022 294/51
2008/0129061 A1 *	6/2008	Haws	.....	A01B 1/02 294/181
2015/0123413 A1 *	5/2015	Spataro	.....	E01H 5/02 294/54.5

\* cited by examiner

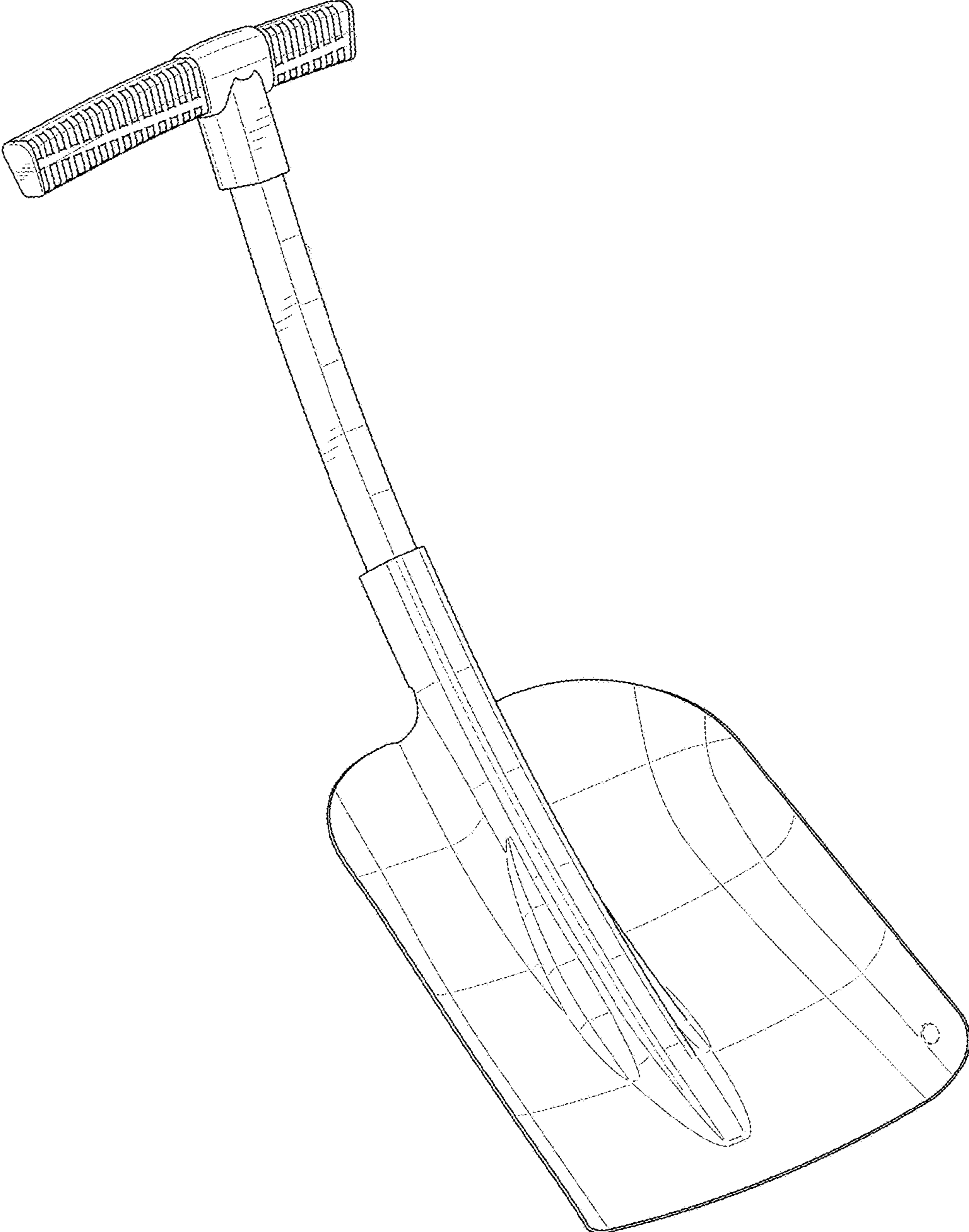


FIG. 1

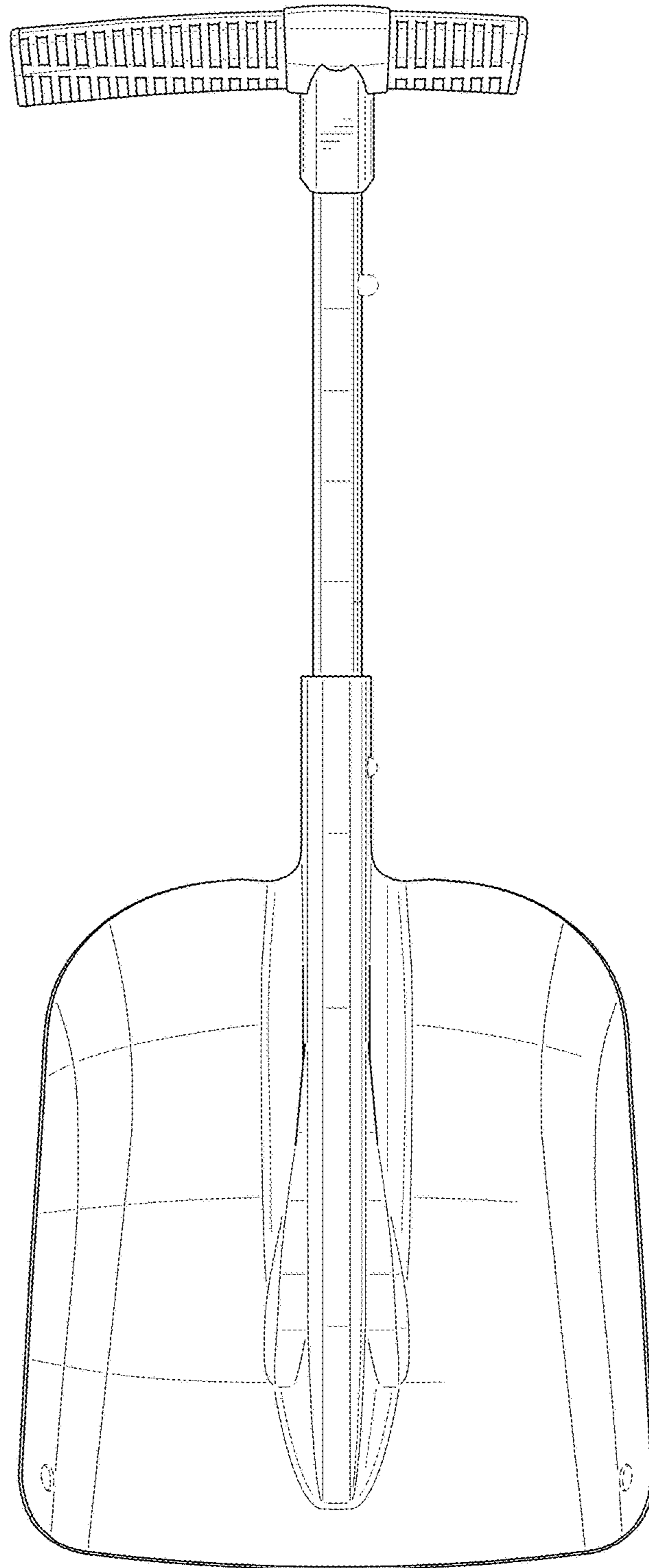


FIG. 2

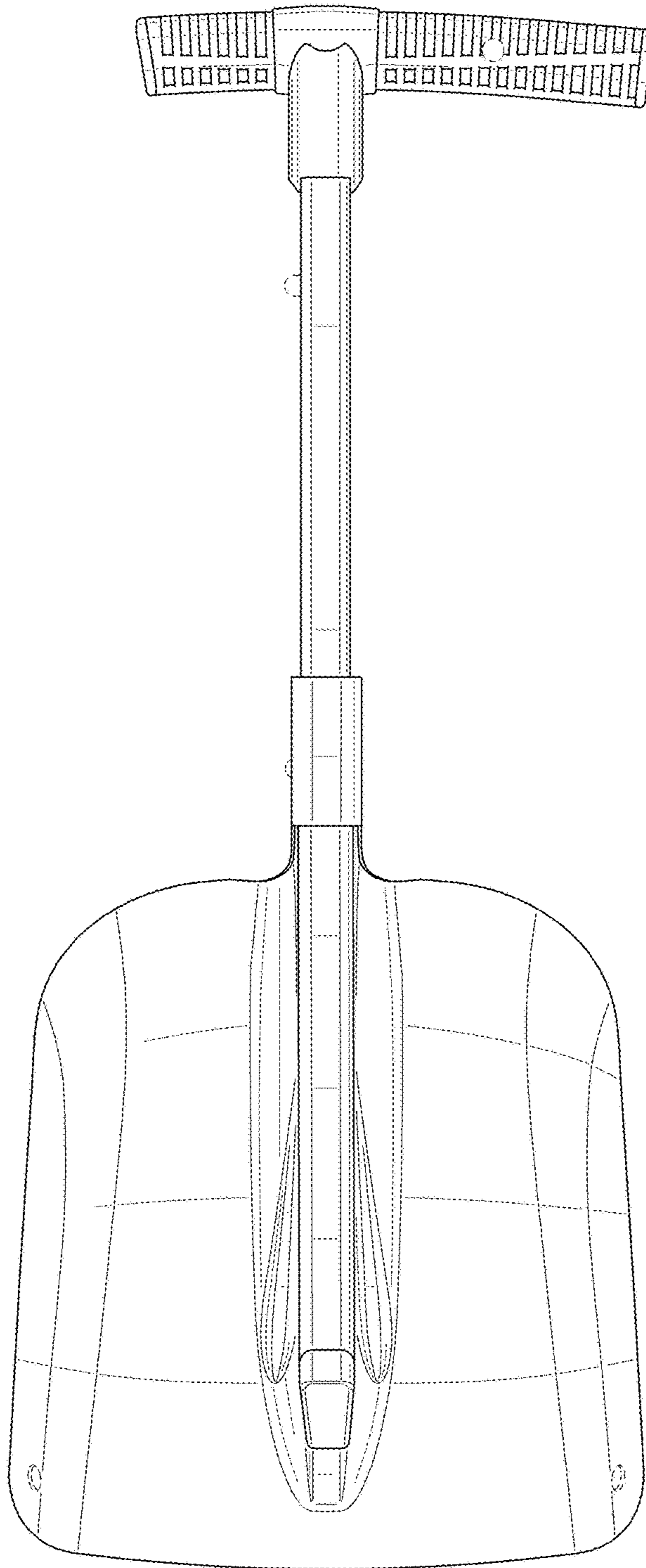


FIG. 3

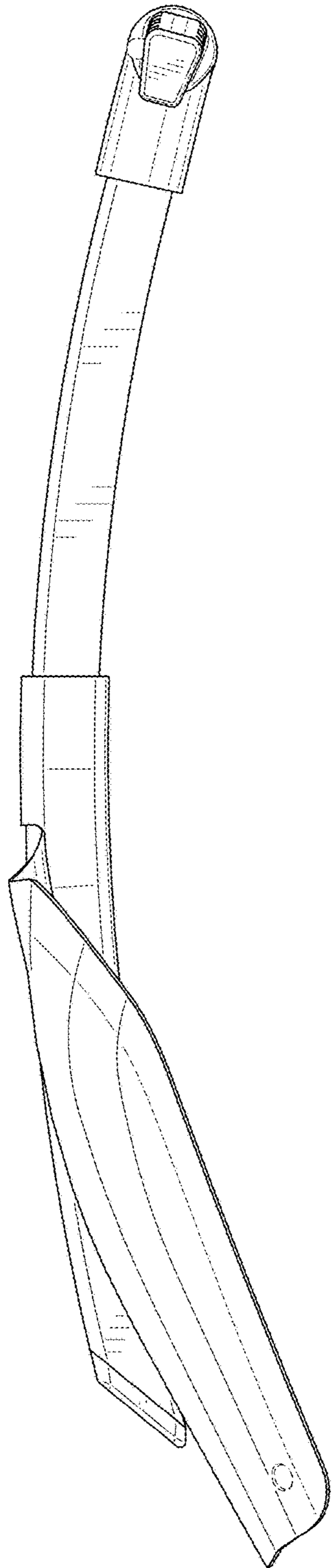


FIG. 4

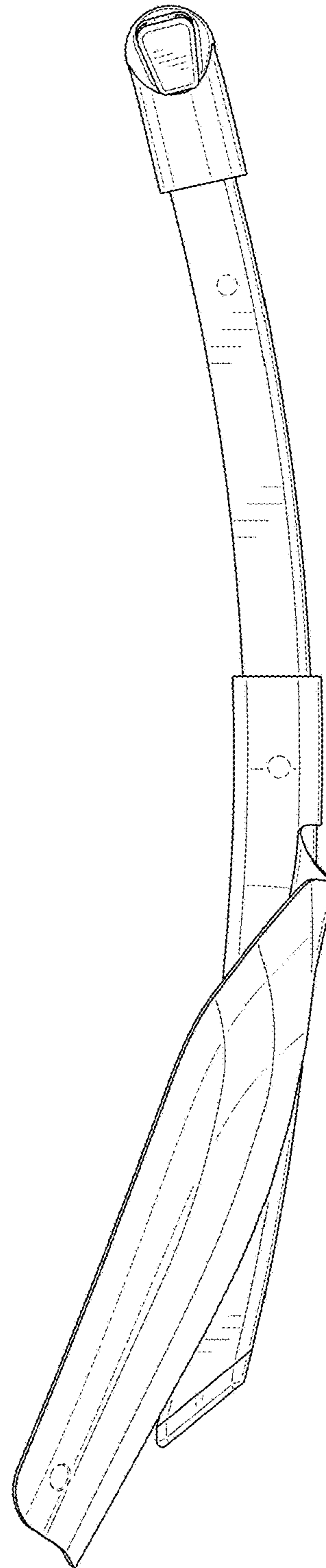


FIG. 5

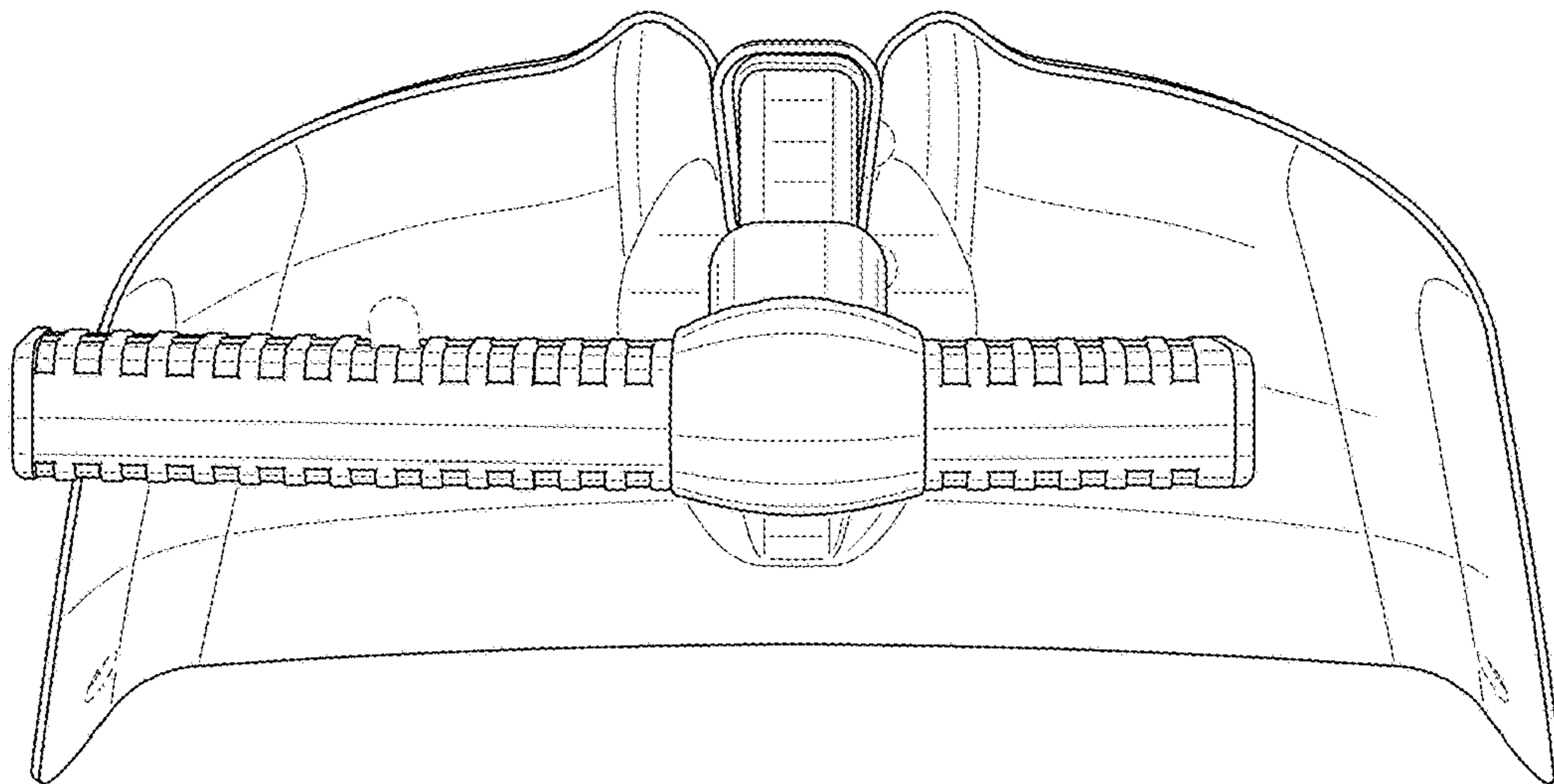


FIG. 6

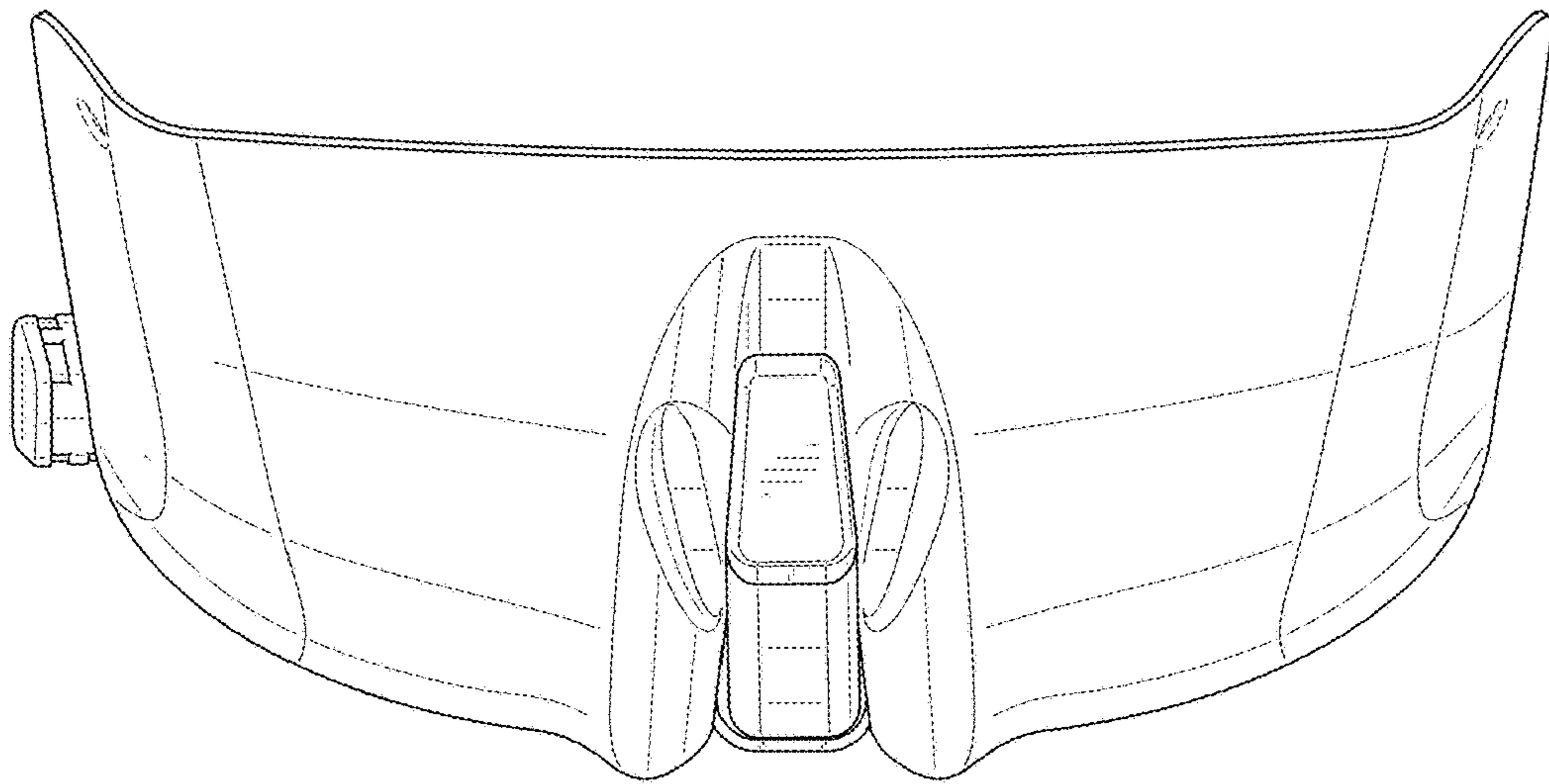


FIG. 7



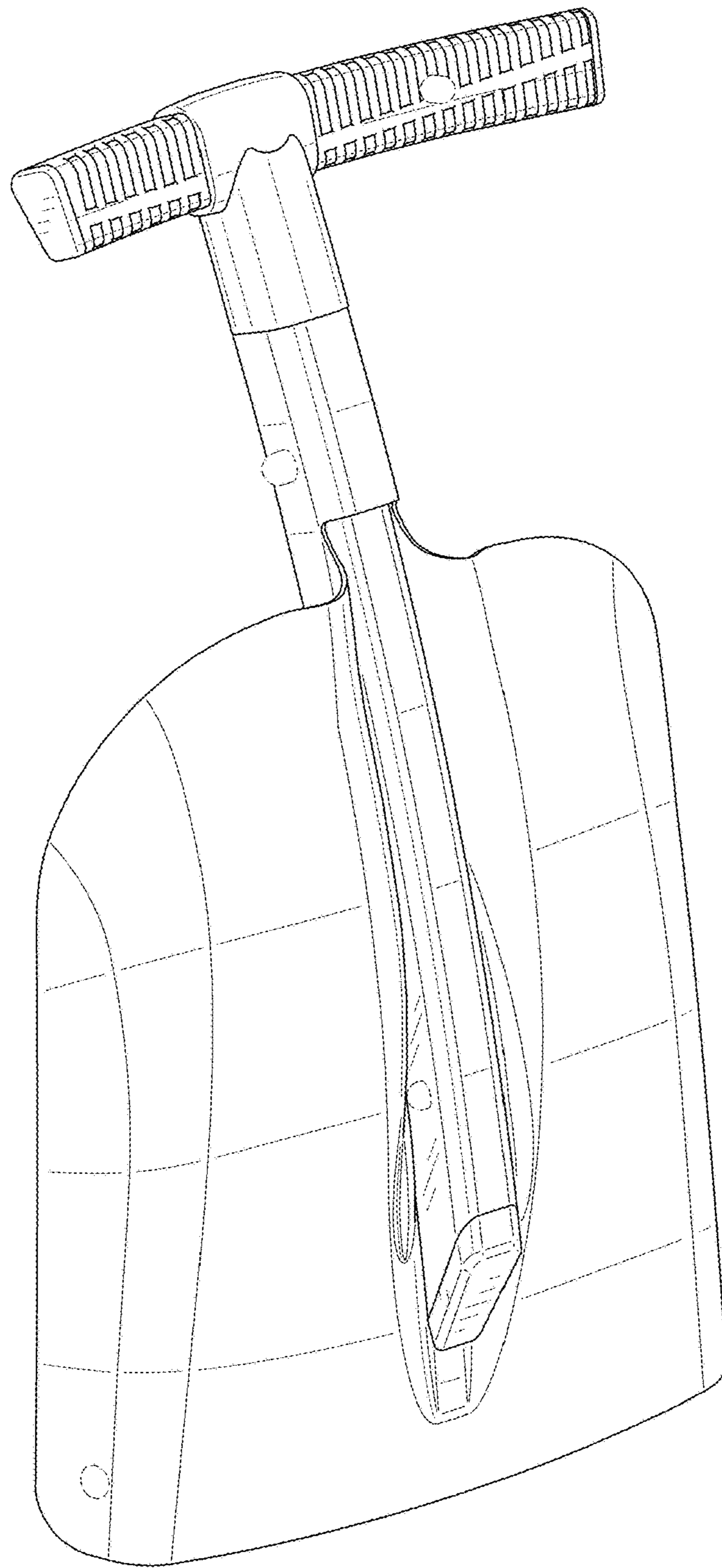


FIG. 8

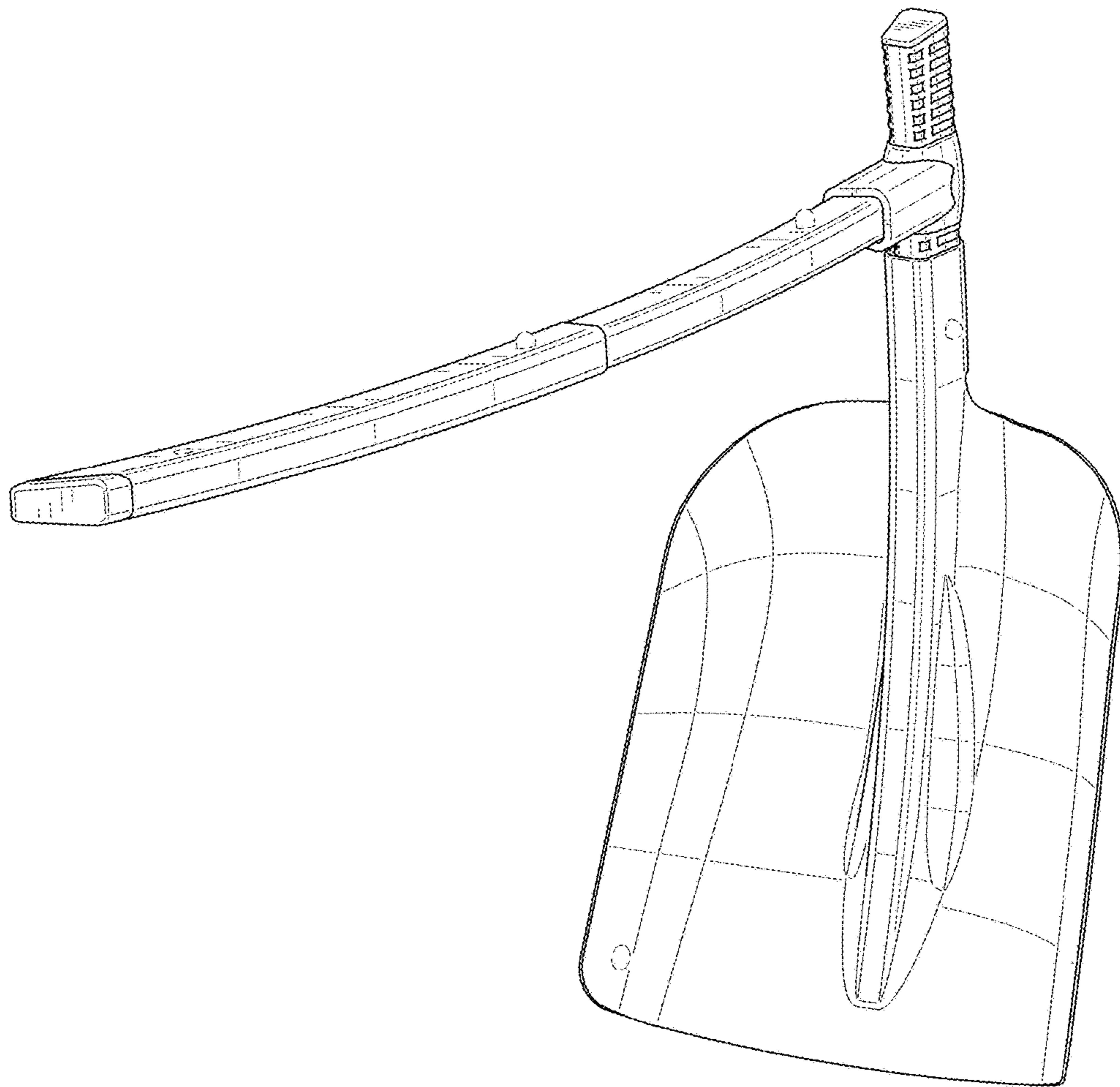


FIG. 9

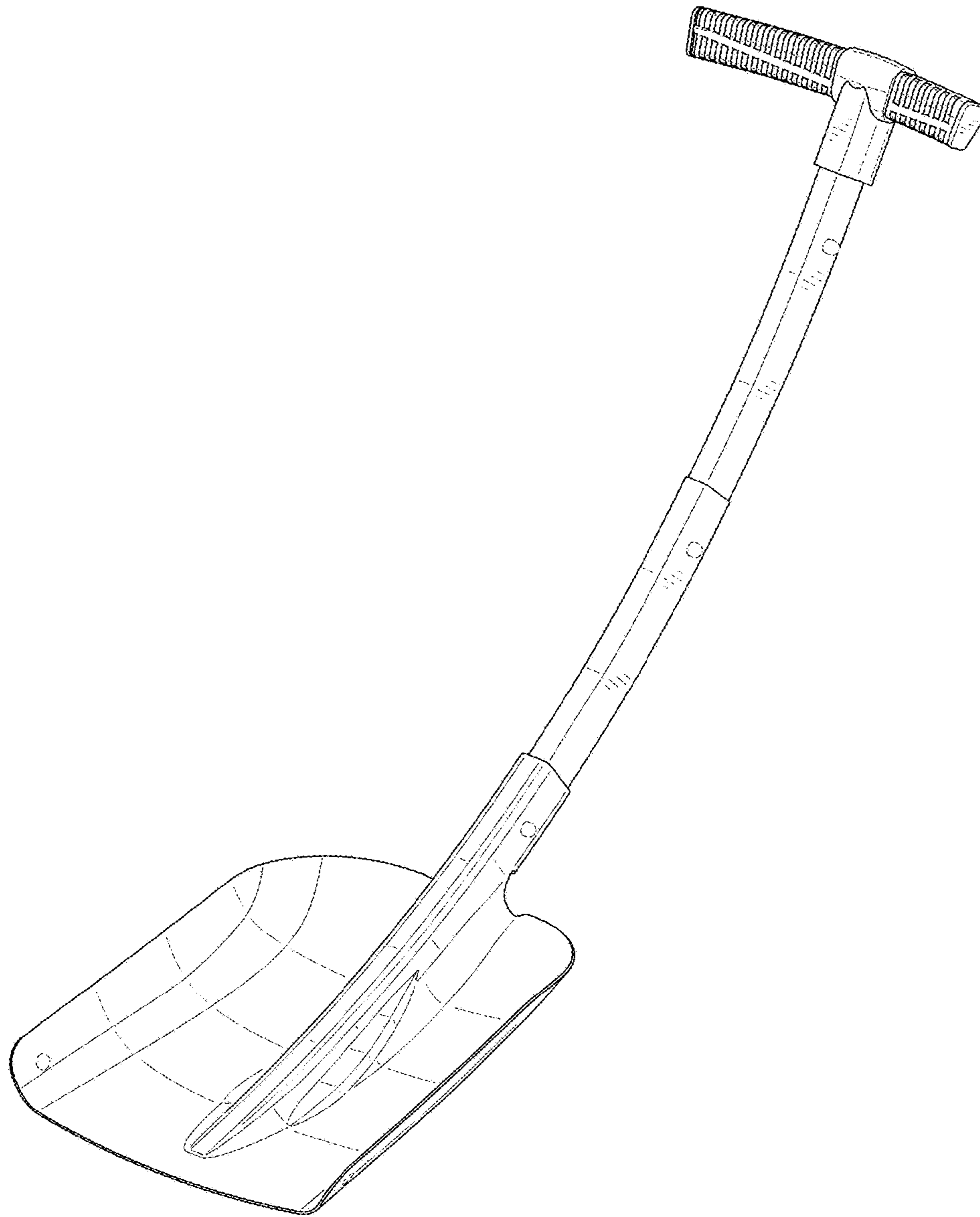


FIG. 10