

US00D862181S

(12) **United States Design Patent** (10) **Patent No.:** **US D862,181 S**
Swanger (45) **Date of Patent:** **** *Oct. 8, 2019**

- (54) **INVERTIBLE MULTIFUNCTION SHOVEL**
- (71) Applicant: **Shane Swanger**, Eagle Mountain, UT (US)
- (72) Inventor: **Shane Swanger**, Eagle Mountain, UT (US)
- (*) Notice: This patent is subject to a terminal disclaimer.
- (**) Term: **15 Years**
- (21) Appl. No.: **29/610,039**
- (22) Filed: **Jul. 8, 2017**
- (51) **LOC (12) Cl.** **08-01**
- (52) **U.S. Cl.**
USPC **D8/10; D8/7**
- (58) **Field of Classification Search**
USPC D15/11, 17, 28, 32; D8/10, 7
CPC A01B 1/00; A01B 1/02; A01B 1/04; A01B 1/022; A01D 9/00; E01H 5/02
See application file for complete search history.

(56) **References Cited**

U.S. PATENT DOCUMENTS

1,202,791 A * 10/1916 Brownstein E01H 5/02
172/375

4,245,411 A * 1/1981 McMath E01H 5/02
294/176

4,722,512 A * 2/1988 Lighthizer A01B 1/028
254/131.5

D298,906 S * 12/1988 Bonnes D8/10

4,865,372 A * 9/1989 Gabriel A01B 1/00
294/49

D328,553 S * 8/1992 Norton D8/10

D329,176 S * 9/1992 Norton D8/10

D333,074 S * 2/1993 Ciccarelli D8/10

D334,515 S * 4/1993 Libra D8/10

D361,482 S * 8/1995 Fugal D8/10

5,511,327 A * 4/1996 Jurkowski E01H 5/02
294/54.5

5,511,328 A * 4/1996 Fingerer E01H 5/02
294/54.5

5,791,072 A * 8/1998 Schbot E01H 5/02
294/57

D401,126 S * 11/1998 Sroufe D8/10

D405,665 S * 2/1999 Whitehead D8/10

D409,885 S * 5/1999 McKenzie D8/10

D411,420 S * 6/1999 Rose D8/10

6,029,998 A * 2/2000 Woodard A63C 11/22
280/819

D459,641 S * 7/2002 Guneyasu D8/10

D563,182 S * 3/2008 Kopp D8/10

D564,846 S * 3/2008 Kopp D8/10

D568,121 S * 5/2008 Meyer D8/10

D586,192 S * 2/2009 Chesness D8/10

(Continued)

Primary Examiner — Mark A Goodwin
(74) *Attorney, Agent, or Firm* — Steven Rinehart

(57) **CLAIM**

The ornamental design for an invertible multifunction shovel, as shown and described.

DESCRIPTION

FIG. 1 is a forward perspective view of an invertible multifunction shovel in accordance with the present invention;

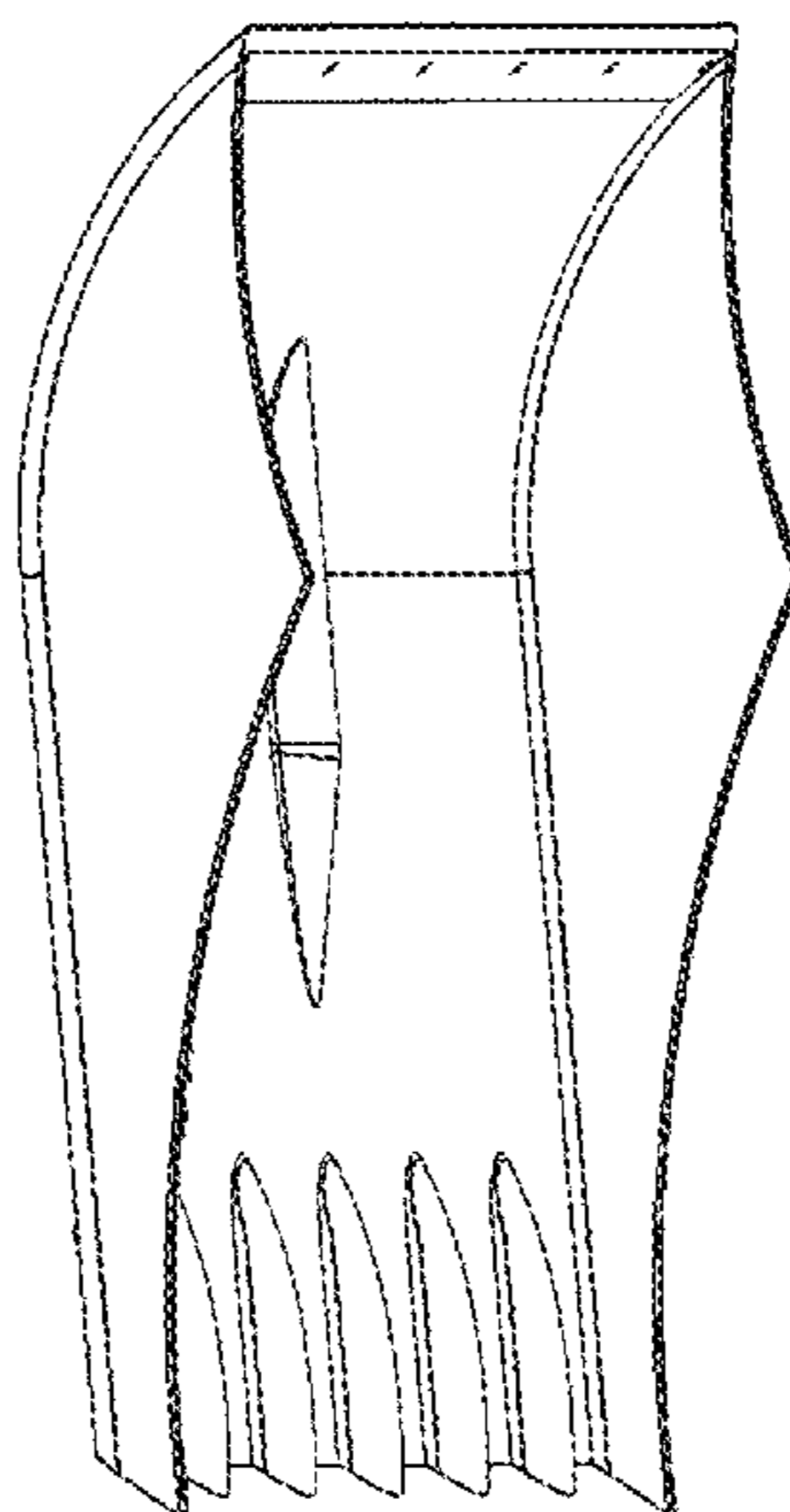
FIG. 2 is a side forward perspective view of an invertible multifunction shovel in accordance with the present invention;

FIG. 3 is a top perspective view of an invertible multifunction shovel in accordance with the present invention;

FIG. 4 is a lower perspective view of an invertible multifunction shovel in accordance with the present invention; and,

FIG. 5 is a rearward perspective view of an invertible multifunction shovel in accordance with the present invention.

1 Claim, 5 Drawing Sheets



(56)

References Cited

U.S. PATENT DOCUMENTS

D626,388 S * 11/2010 Greenly D8/10
D637,875 S * 5/2011 Gehman D8/10
D651,488 S * 1/2012 Gehman D8/10
D656,162 S * 3/2012 Wiik D15/11
D667,283 S * 9/2012 Blouin D8/10
8,256,809 B2 * 9/2012 Coutu A01B 1/20
294/49
D676,723 S * 2/2013 Norwood D8/10
D699,530 S * 2/2014 Hung D8/10
D703,013 S * 4/2014 Firth D8/1
D708,495 S * 7/2014 Stein D8/10
D718,792 S * 12/2014 Lapham D15/11
8,960,744 B2 * 2/2015 Swanger E01H 5/02
294/53.5
D800,520 S * 10/2017 Pieper-Bailey E01H 5/02
D8/10
D809,353 S * 2/2018 Blouin D8/10

* cited by examiner

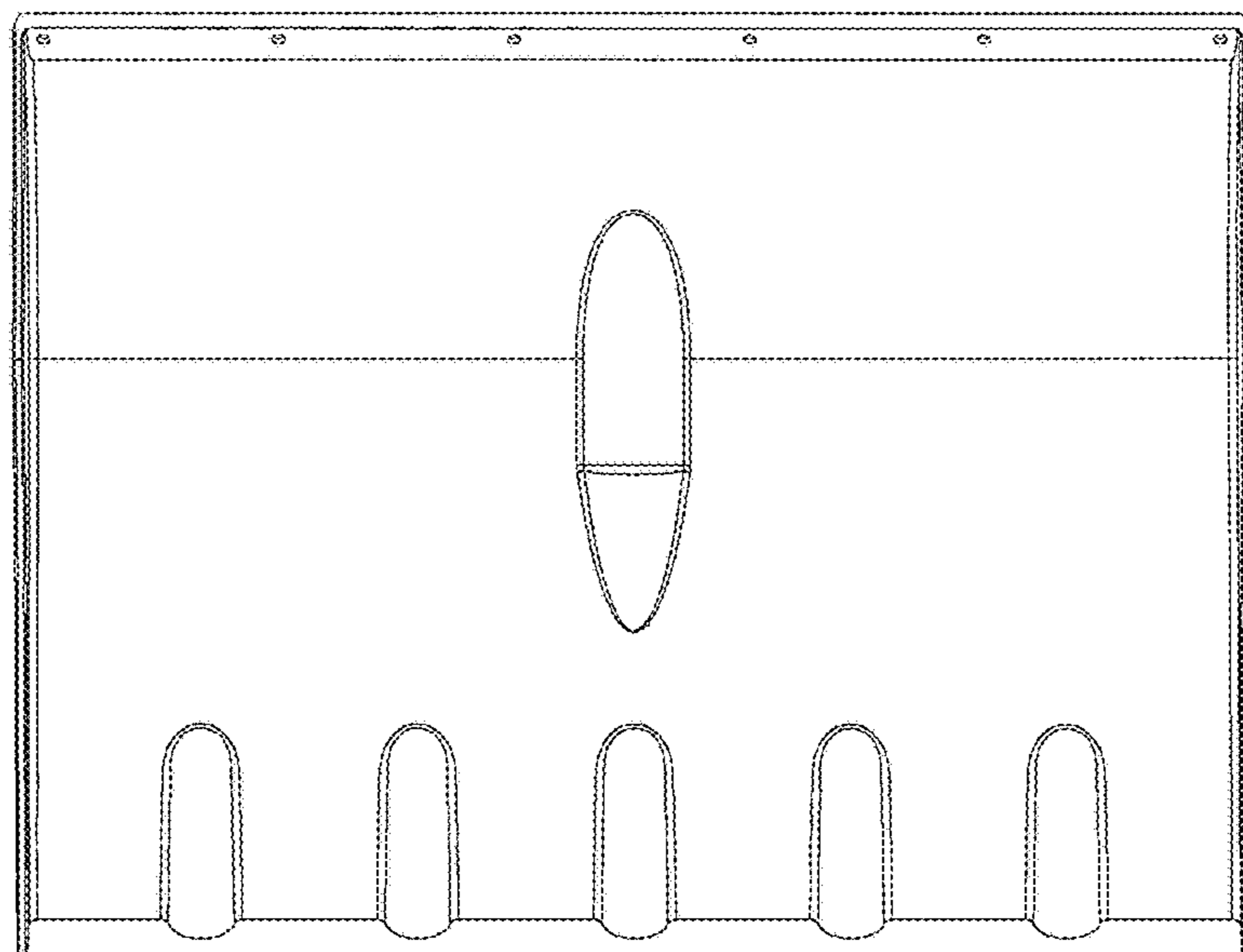


FIG. 1

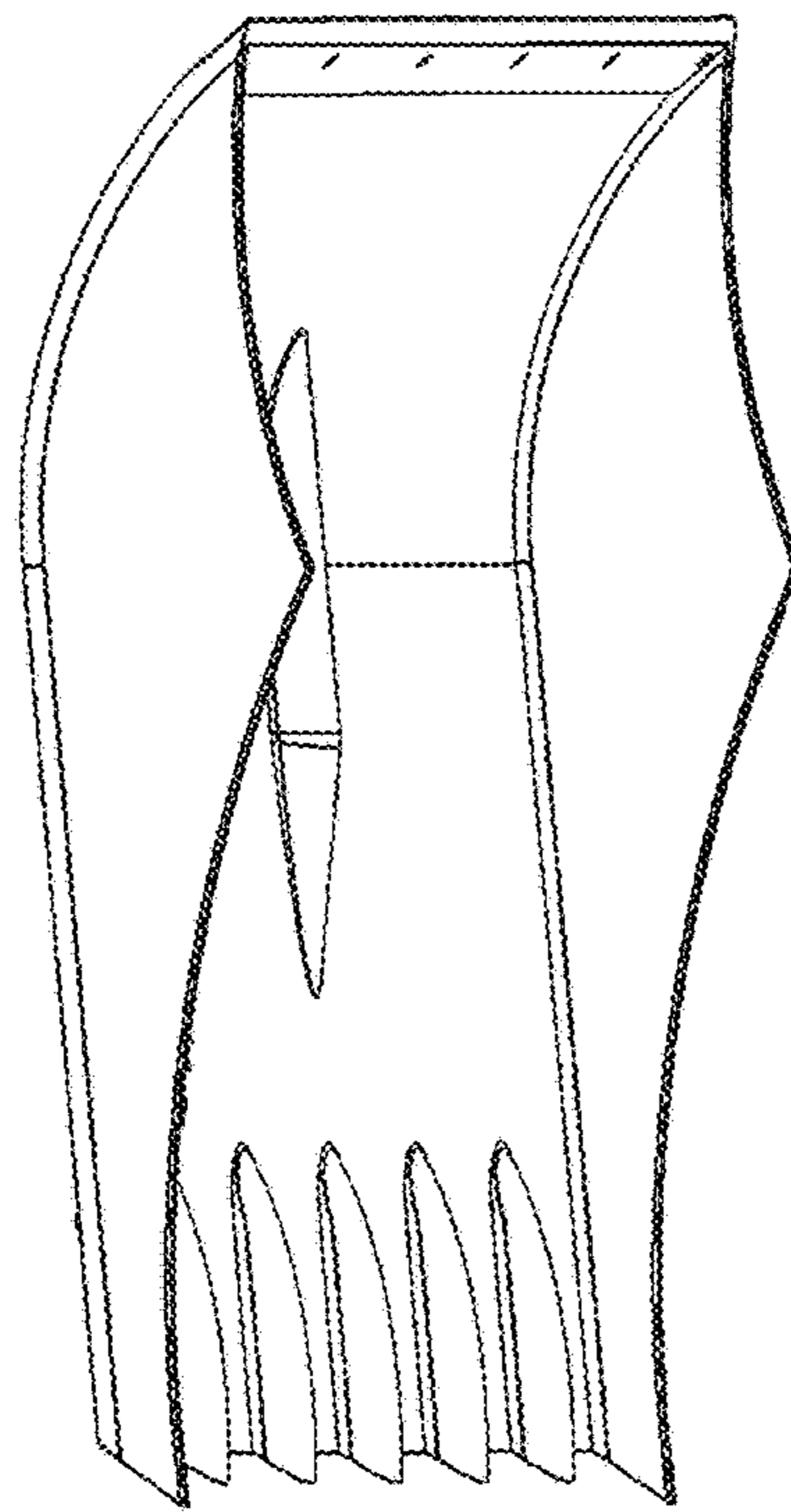


FIG. 2

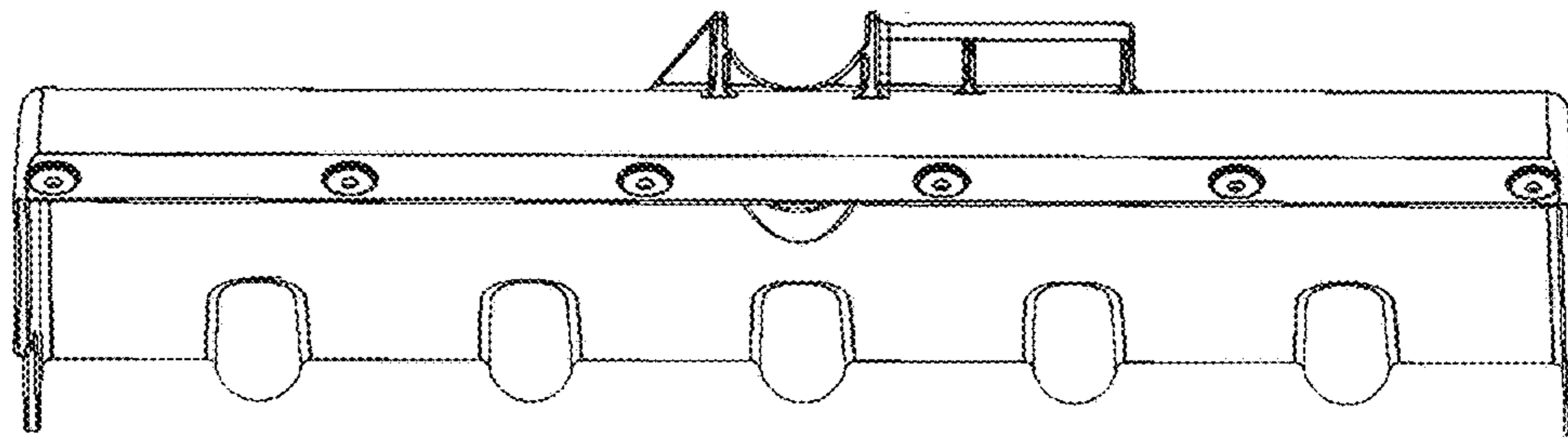


FIG. 3

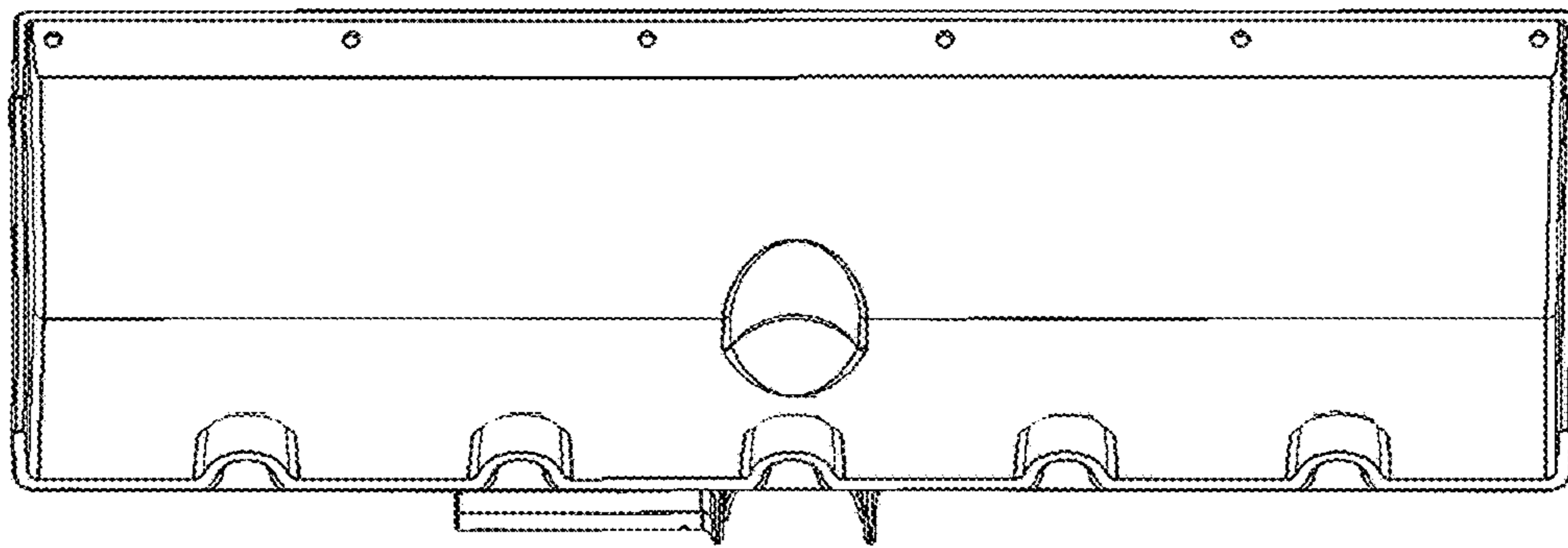


FIG. 4

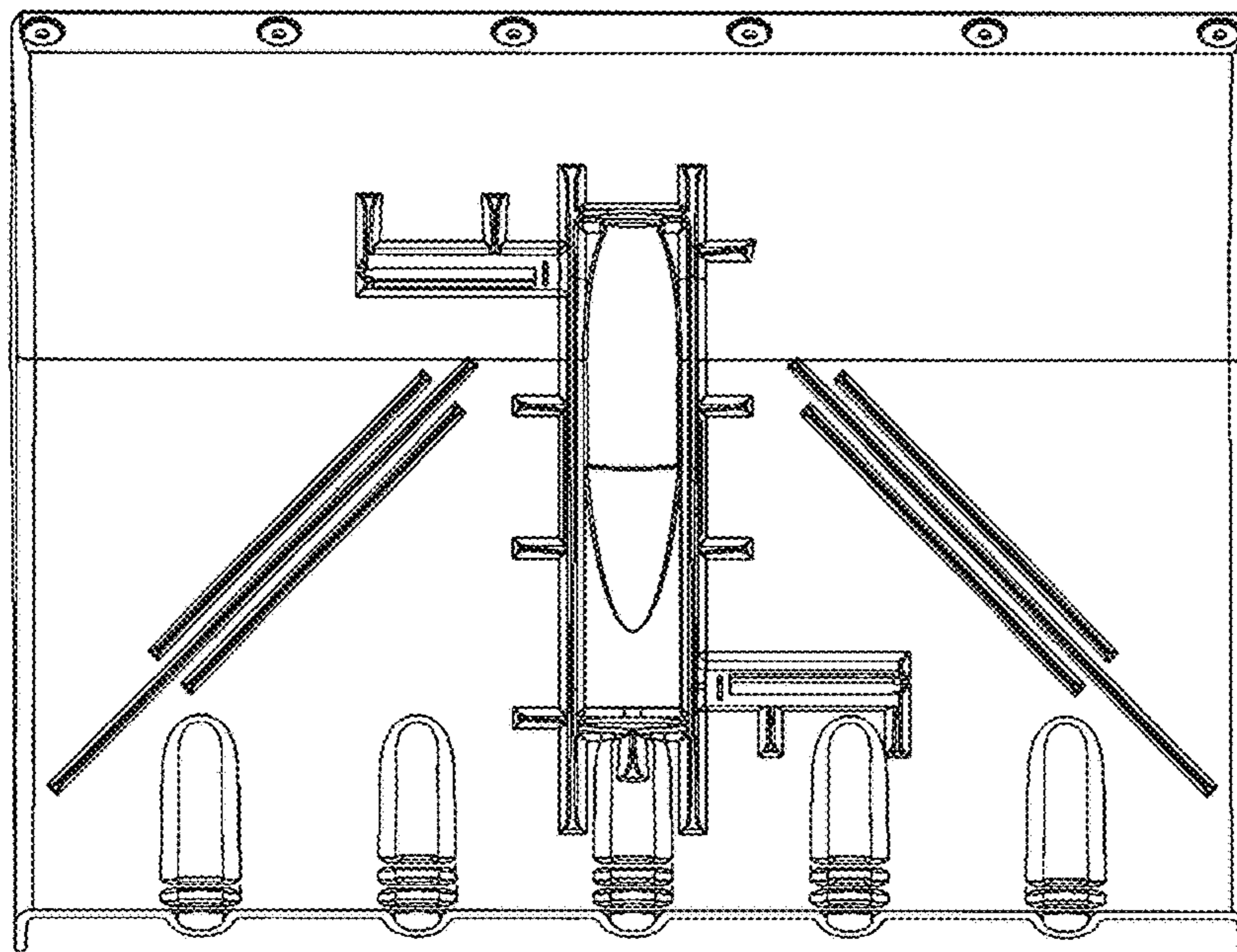


FIG. 5