



US00D862179S

(12) **United States Design Patent** (10) **Patent No.:** **US D862,179 S**
Pereira Da Silva (45) **Date of Patent:** **** Oct. 8, 2019**

(54) **ICE CREAM TRAY MOLD**
 (71) Applicant: **Marco Antonio Pereira Da Silva,**
 Aventura, FL (US)
 (72) Inventor: **Marco Antonio Pereira Da Silva,**
 Aventura, FL (US)

D689,747 S * 9/2013 Zorovich D7/672
 D690,169 S * 9/2013 Zorovich D7/672
 D796,273 S * 9/2017 Knauf D7/672
 2013/0011530 A1* 1/2013 Wolf A23G 9/26
 426/241
 2013/0011531 A1* 1/2013 Wolf A23G 9/26
 426/241

(**) Term: **15 Years**

* cited by examiner

(21) Appl. No.: **29/592,473**

Primary Examiner — Brett Miller
 (74) *Attorney, Agent, or Firm* — Schmeiser, Olsen &
 Watts, LLP

(22) Filed: **Jan. 31, 2017**

(57) **CLAIM**

(51) **LOC (12) Cl.** **07-04**

The ornamental design for an ice cream tray mold, as shown
 and described.

(52) **U.S. Cl.**

USPC **D7/672**

DESCRIPTION

(58) **Field of Classification Search**

USPC D7/672–677, 354, 693–696, 678; D15/90
 CPC A47J 43/00; A47J 43/25; B26D 2210/02;
 B26D 1/143; B26D 3/283; B26D 3/26;
 B26D 3/185; B26D 2003/288; B26D
 2003/286; B26D 2003/285; B26D
 2003/287; A23G 9/221; A23G 9/26;
 A23G 9/503; A23G 9/083; A23P 30/10

FIG. 1 is a frontal perspective view of an ice cream tray mold;
 FIG. 2 is a bottom perspective view of the ice cream tray mold;
 FIG. 3 is a front view of the ice cream tray mold;
 FIG. 4 is a back view of the ice cream tray mold;
 FIG. 5 is a left side view of the ice cream tray mold;
 FIG. 6 is a right side view of the ice cream tray mold;
 FIG. 7 is a top view of the ice cream tray mold; and,
 FIG. 8 is a bottom view of the ice cream tray mold.

See application file for complete search history.

The dash-dash broken lines depict environment. The dash-dot broken lines depict the boundaries of the claimed design. The broken lines form no part of the claimed design.

(56) **References Cited**

U.S. PATENT DOCUMENTS

2,591,261 A * 4/1952 Holahan A23G 9/26
 249/119
 D269,578 S * 7/1983 Straubinger D7/672

1 Claim, 5 Drawing Sheets

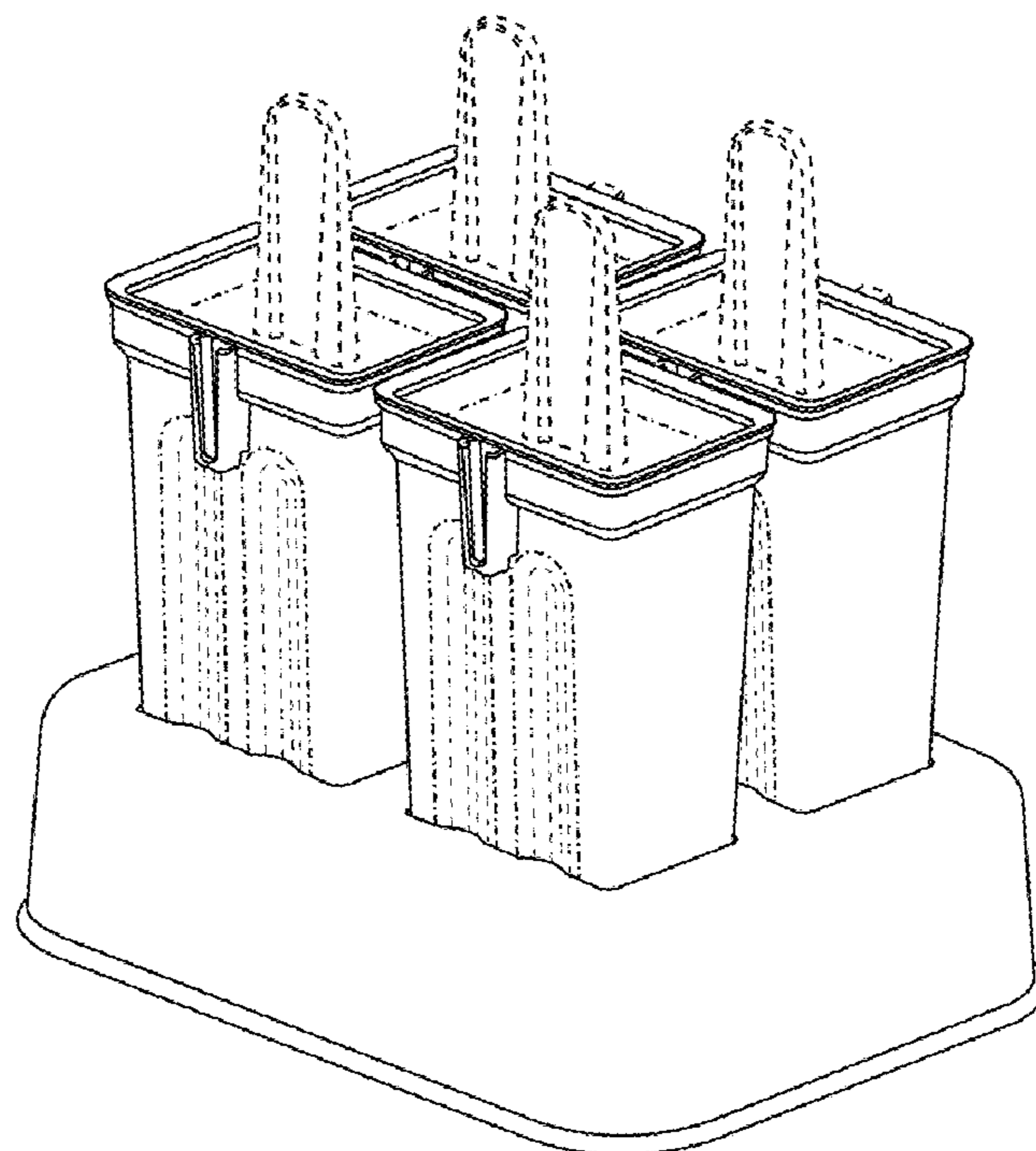


FIG.1

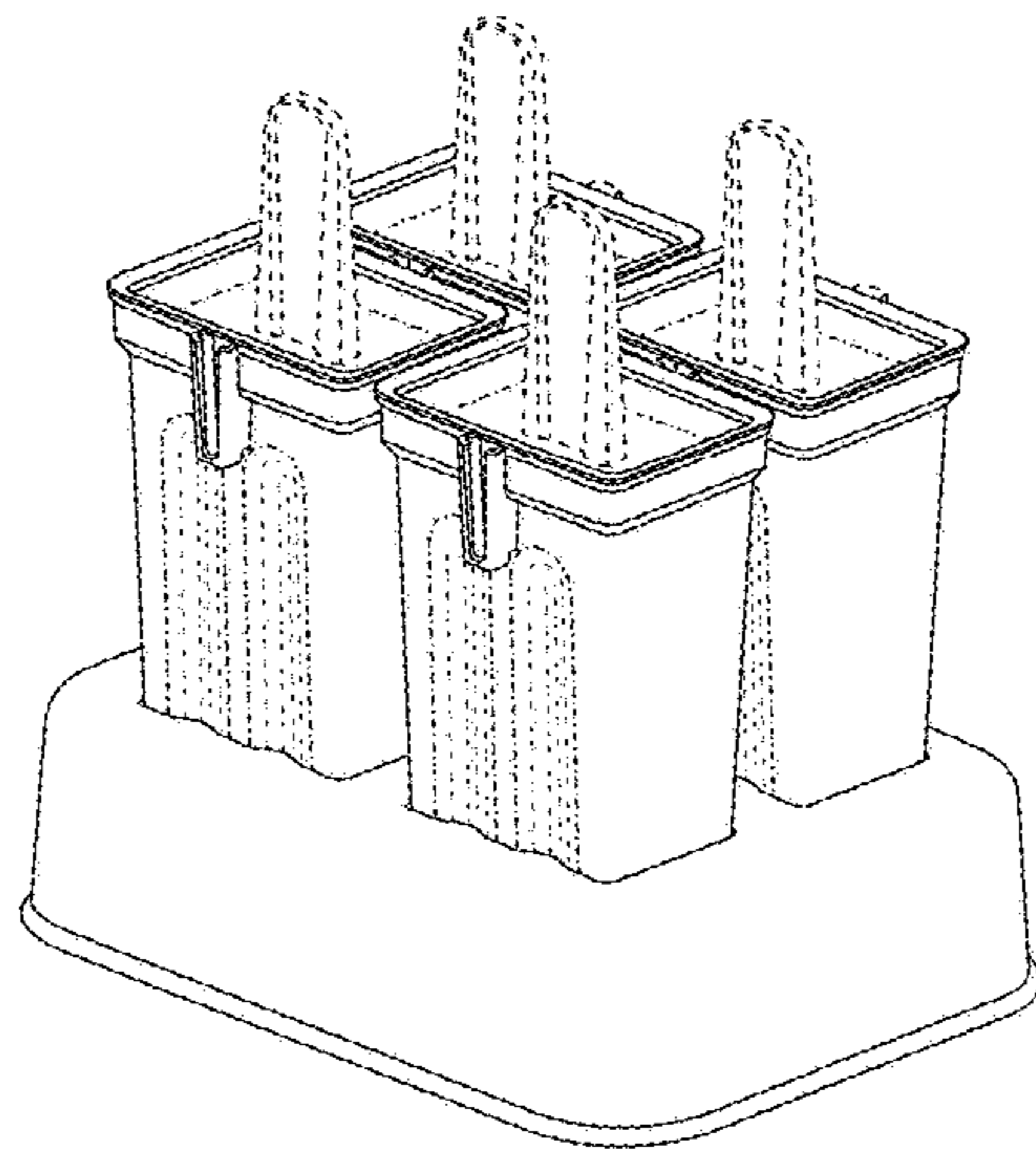


FIG.2

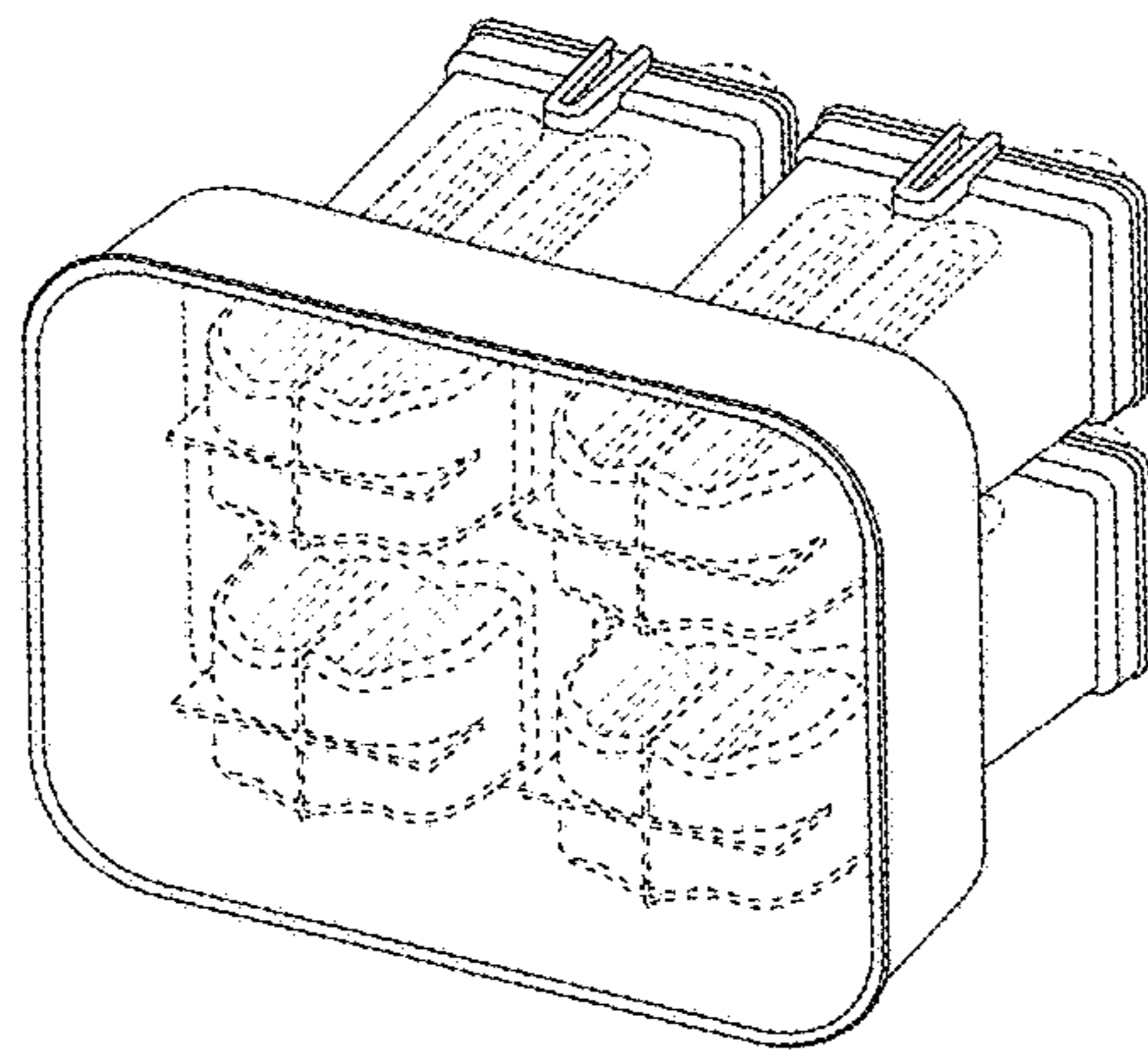


FIG.3

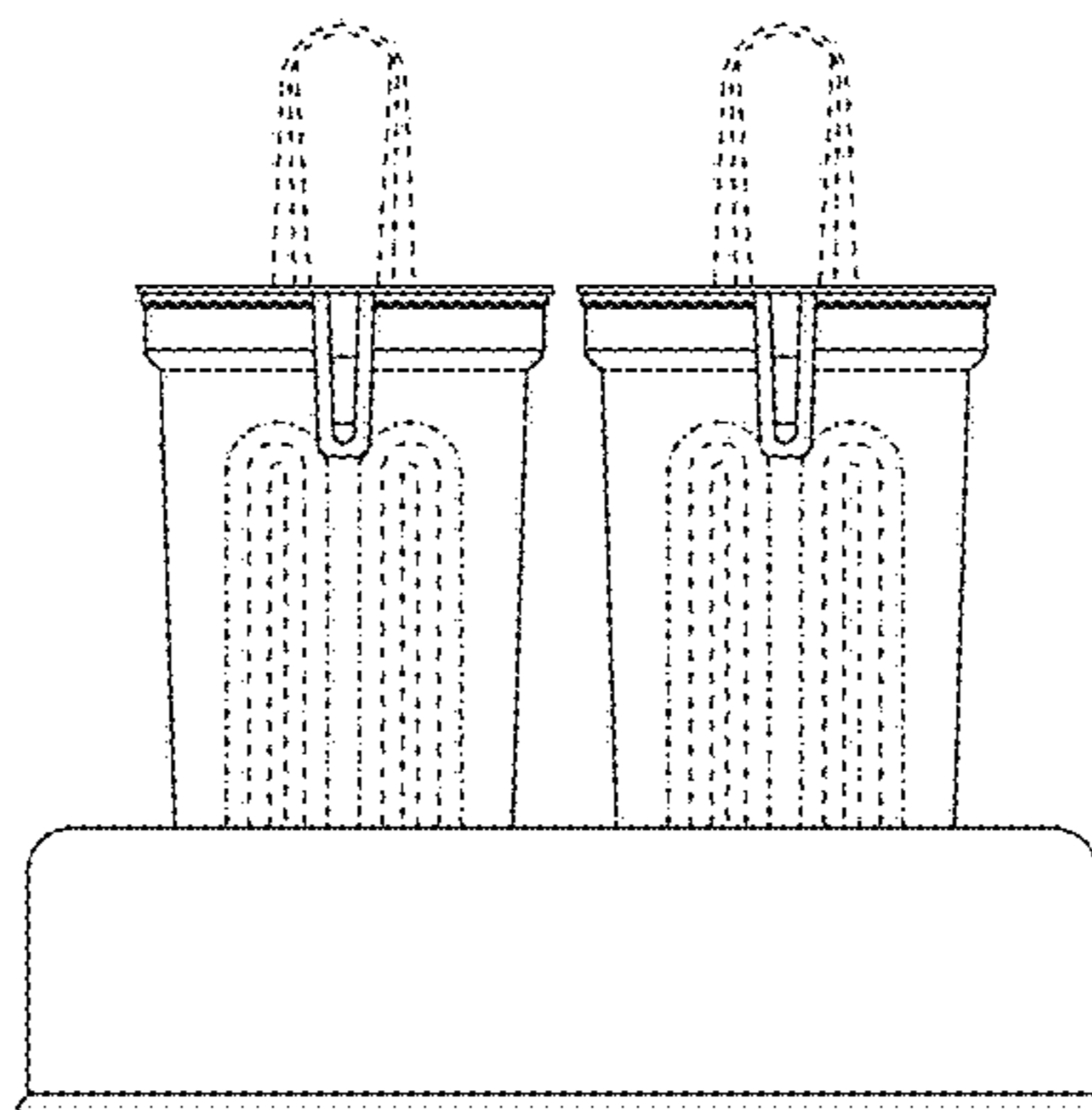


FIG.4

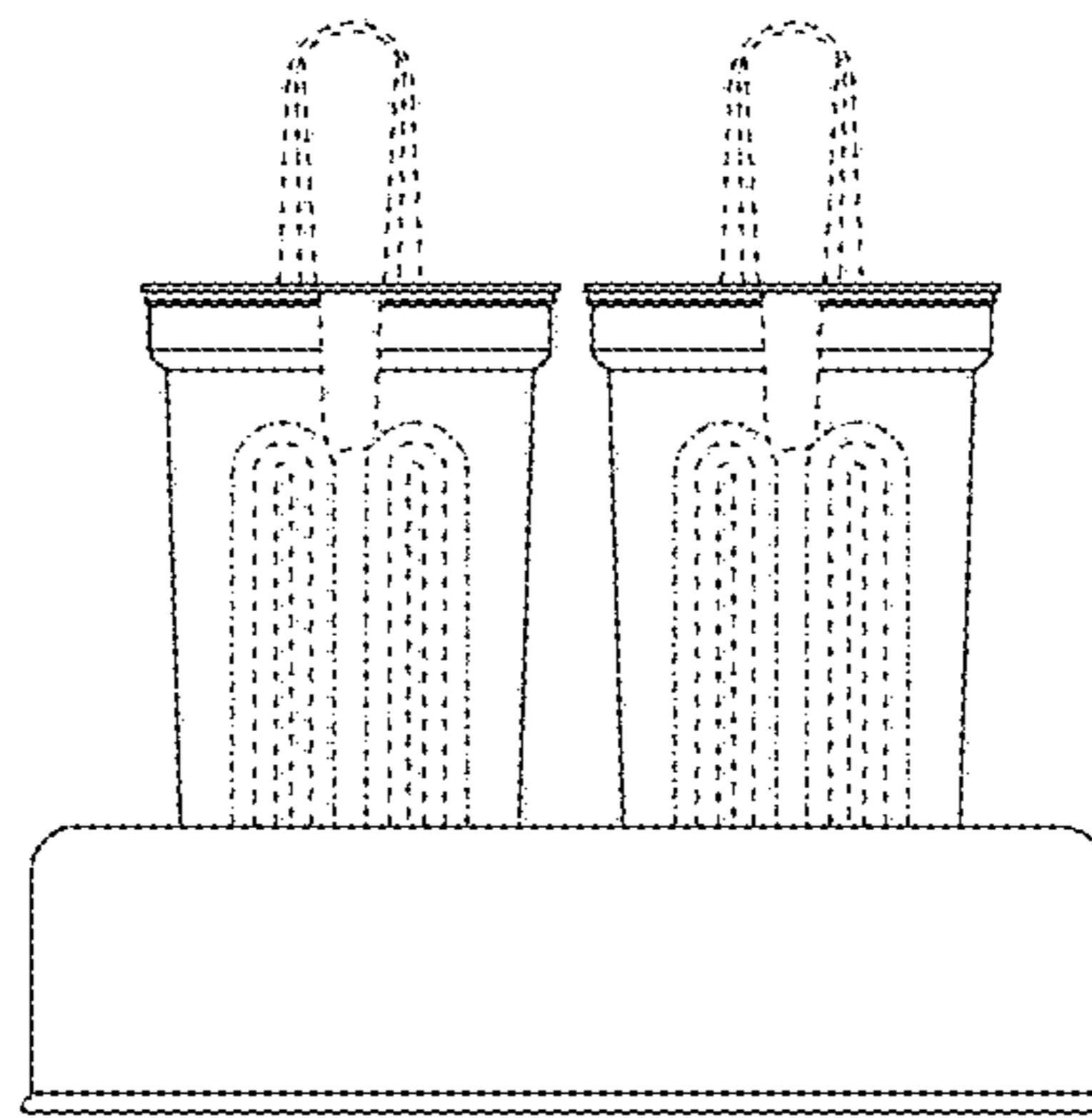


FIG.5

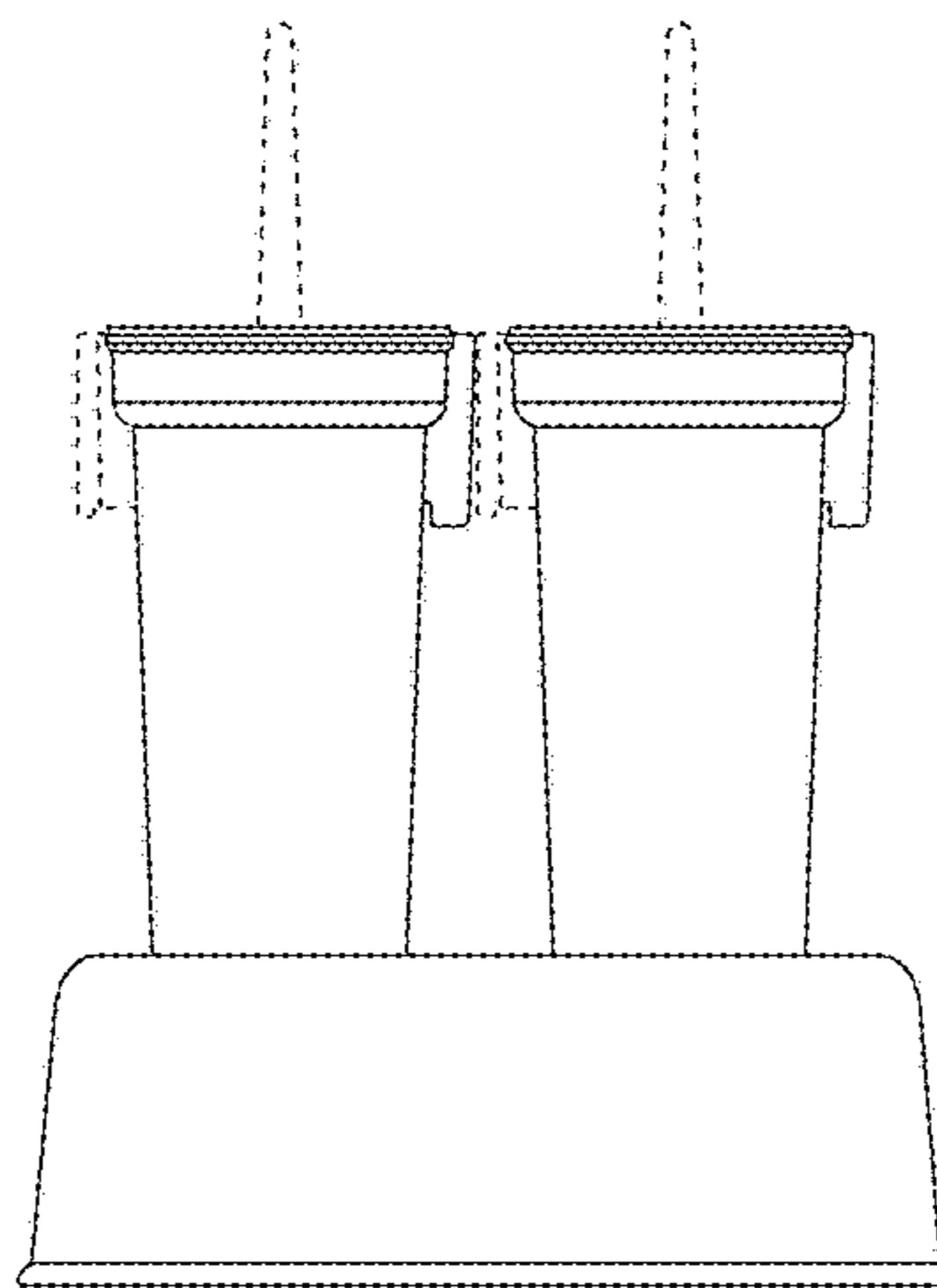


FIG.6

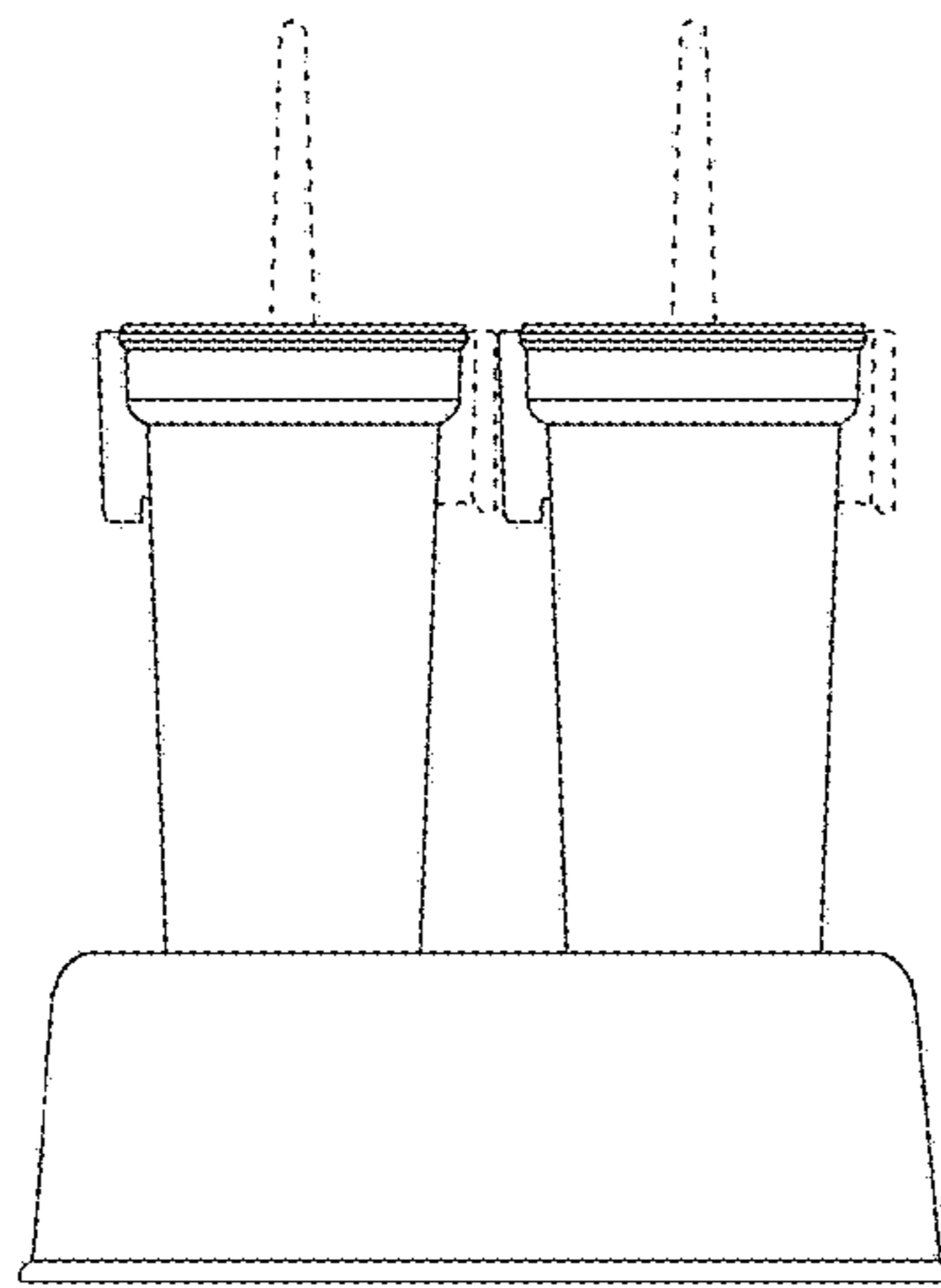


FIG.7

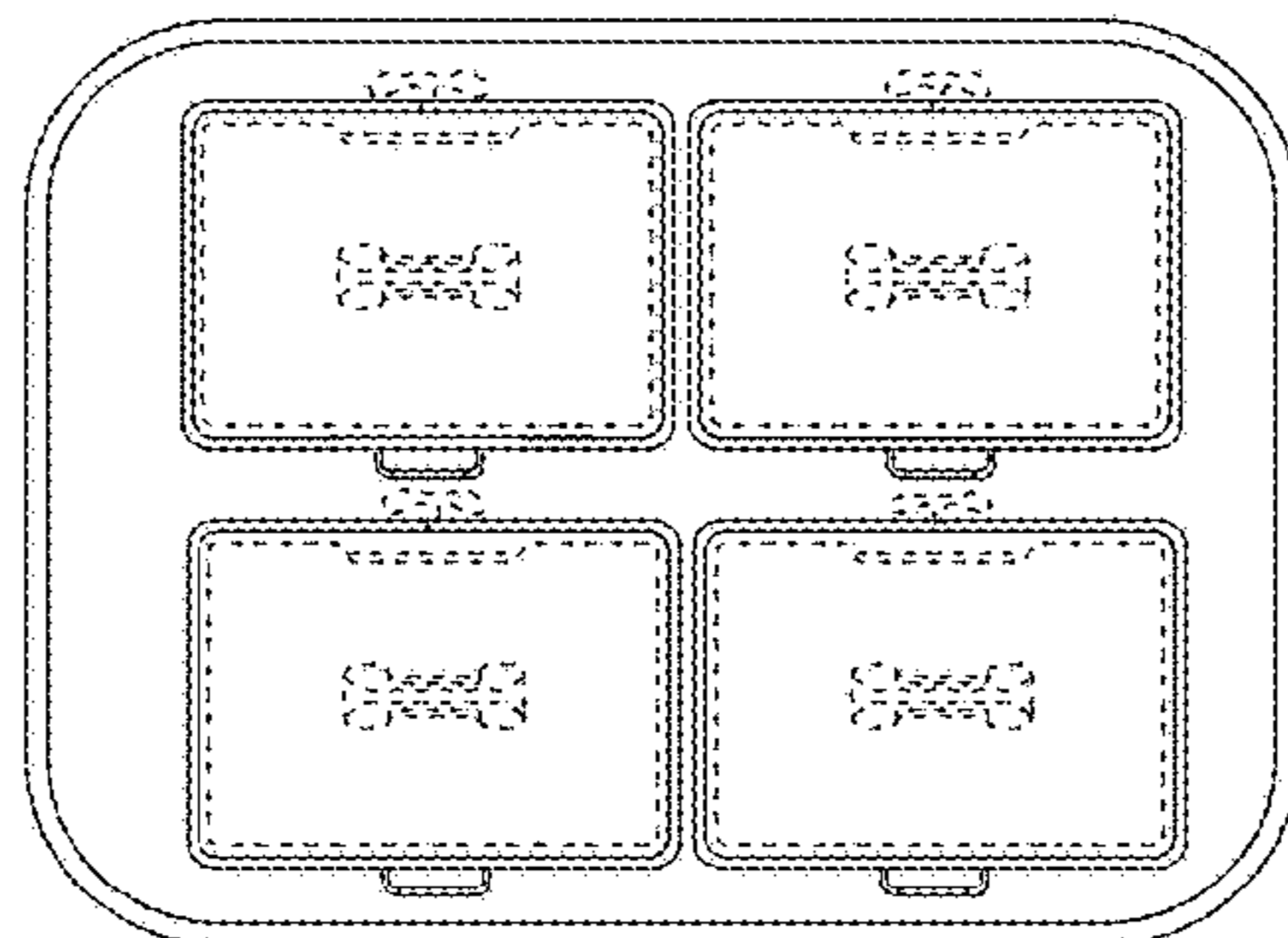


FIG.8

