



US00D862176S

(12) **United States Design Patent**  
**Yu et al.**

(10) **Patent No.:** **US D862,176 S**  
(45) **Date of Patent:** **\*\* Oct. 8, 2019**

- (54) **CONTAINER FOR KIMCHI**
- (71) Applicant: **LG ELECTRONICS INC.**, Seoul (KR)
- (72) Inventors: **Seonil Yu**, Seoul (KR); **Kyutae Park**, Seoul (KR); **Daesung Lee**, Seoul (KR); **Hyun Choi**, Seoul (KR); **Junyi Heo**, Seoul (KR)
- (73) Assignee: **LG ELECTRONICS INC.**, Seoul (KR)
- (\*\*) Term: **15 Years**
- (21) Appl. No.: **35/505,306**
- (22) Filed: **Jan. 12, 2018**
- (80) **Hague Agreement Data**  
 Int. Filing Date: **Jan. 12, 2018**  
 Int. Reg. No.: **DM/100735**  
 Int. Reg. Date: **Jan. 12, 2018**  
 Int. Reg. Pub. Date: **Jul. 13, 2018**

- (30) **Foreign Application Priority Data**  
 Jul. 14, 2017 (KR) ..... 30-2017-0032696
- (51) **LOC (12) Cl.** ..... **07-01**
- (52) **U.S. Cl.**  
 USPC ..... **D7/602**
- (58) **Field of Classification Search**  
 USPC ..... D7/601-605, 629; D15/79, 89  
 CPC ..... B65D 2543/00296; B65D 43/02; B65D 51/18; B65D 81/3813; B65D 9/18  
 See application file for complete search history.

- (56) **References Cited**  
 U.S. PATENT DOCUMENTS  
 D284,196 S \* 6/1986 Wolff ..... D15/89  
 D553,165 S \* 10/2007 Lee ..... D15/79  
 D689,532 S \* 9/2013 Van ..... D15/89

- D698,614 S \* 2/2014 Duvigneau ..... D7/629
- D722,832 S \* 2/2015 Ra ..... D7/602
- D815,924 S \* 4/2018 Croft ..... D7/629
- D823,064 S \* 7/2018 Eichinger ..... D7/605
- D830,790 S \* 10/2018 Lee ..... D7/629
- D830,791 S \* 10/2018 Lee ..... D7/629
- D840,150 S \* 2/2019 Seiders ..... D3/294
- 2005/0127071 A1 \* 6/2005 Khor ..... B65D 45/20  
220/4.28
- 2013/0233854 A1 \* 9/2013 Smyers ..... B65D 53/00  
220/240
- 2013/0234406 A1 \* 9/2013 Harvey ..... B65D 53/02  
277/645
- 2014/0261381 A1 \* 9/2014 Ra ..... A47J 36/2405  
126/263.05
- 2019/0119000 A1 \* 4/2019 Tsui ..... B65D 21/086

\* cited by examiner

*Primary Examiner* — Michael A. Pratt  
(74) *Attorney, Agent, or Firm* — Birch, Stewart, Kolasch & Birch, LLP

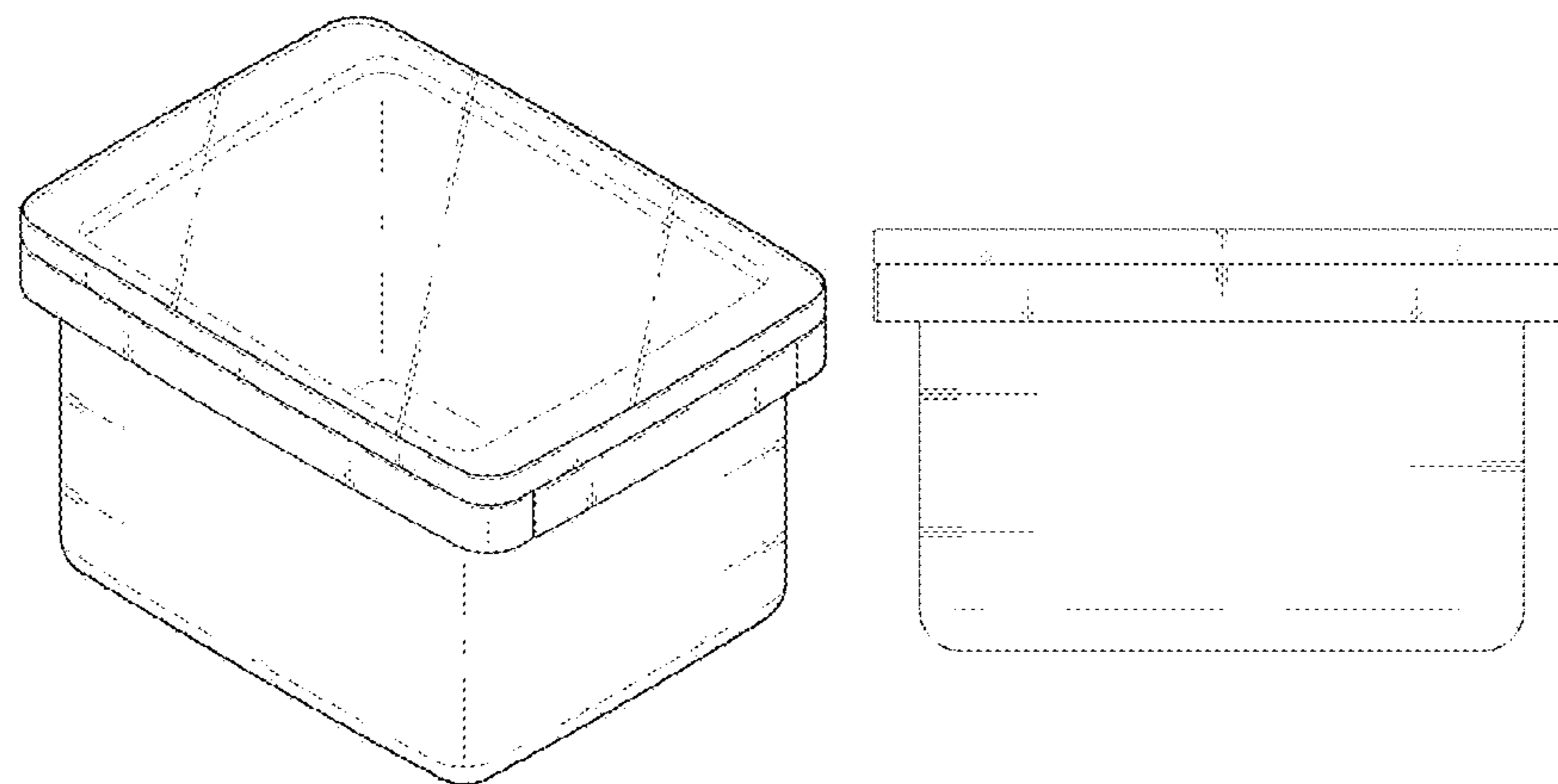
(57) **CLAIM**

The ornamental design for a container for kimchi, as shown and described.

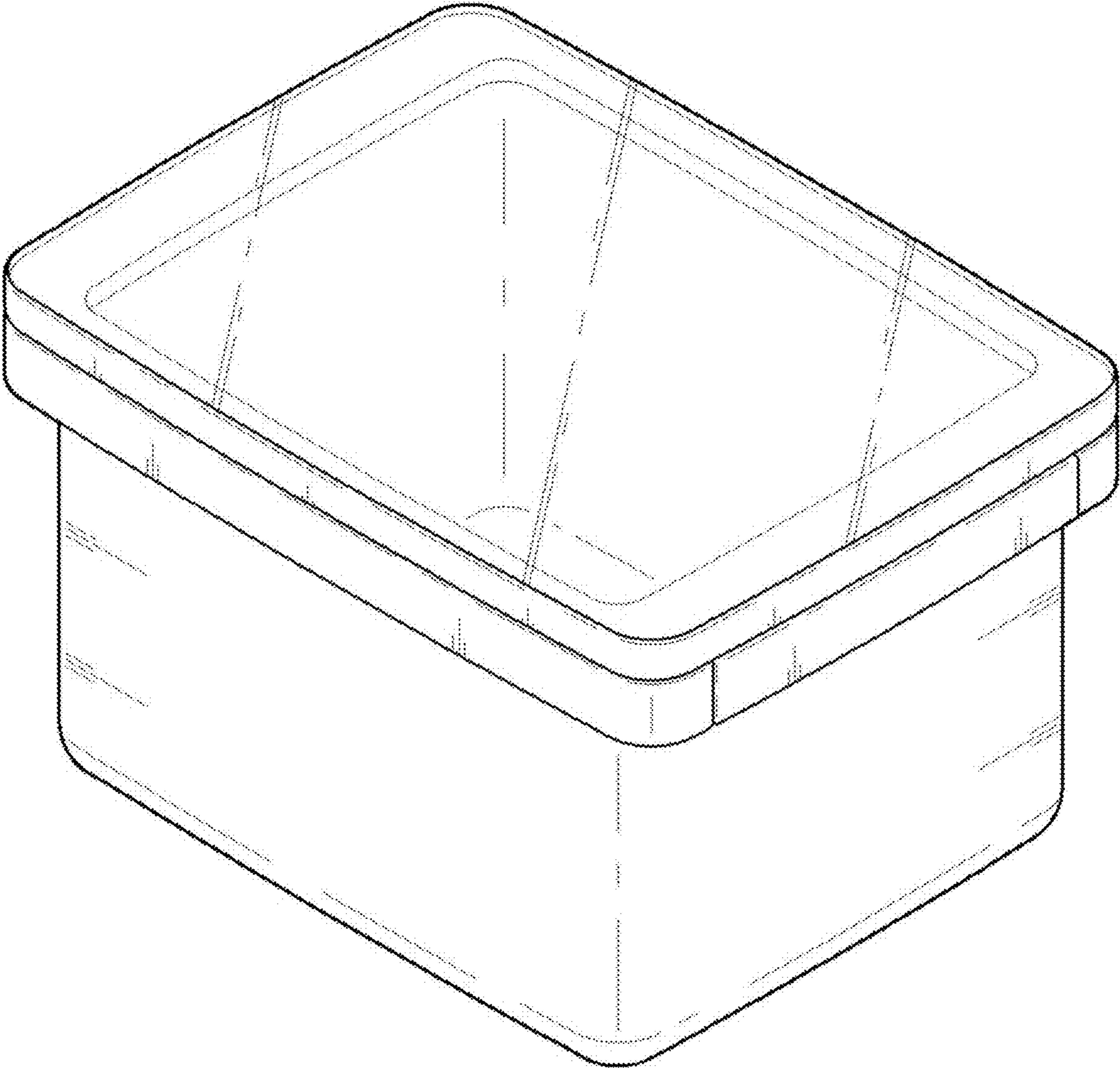
**DESCRIPTION**

1. Container for kimchi  
**1.1** : Perspective  
**1.2** : Front  
**1.3** : Left  
**1.4** : Top  
**1.5** : Bottom  
 Reproduction **1.1** is a front perspective view of the container for kimchi; reproduction **1.2** is a front view thereof where the back view is a mirror image; reproduction **1.3** is a left view thereof where the right view is a mirror image; reproduction **1.4** is a top view thereof; reproduction **1.5** is a bottom view thereof; this design is a container for kimchi with hinge structure fastening parts in left and right side, the upper part is made of transparent glass, and the user can see the inside.

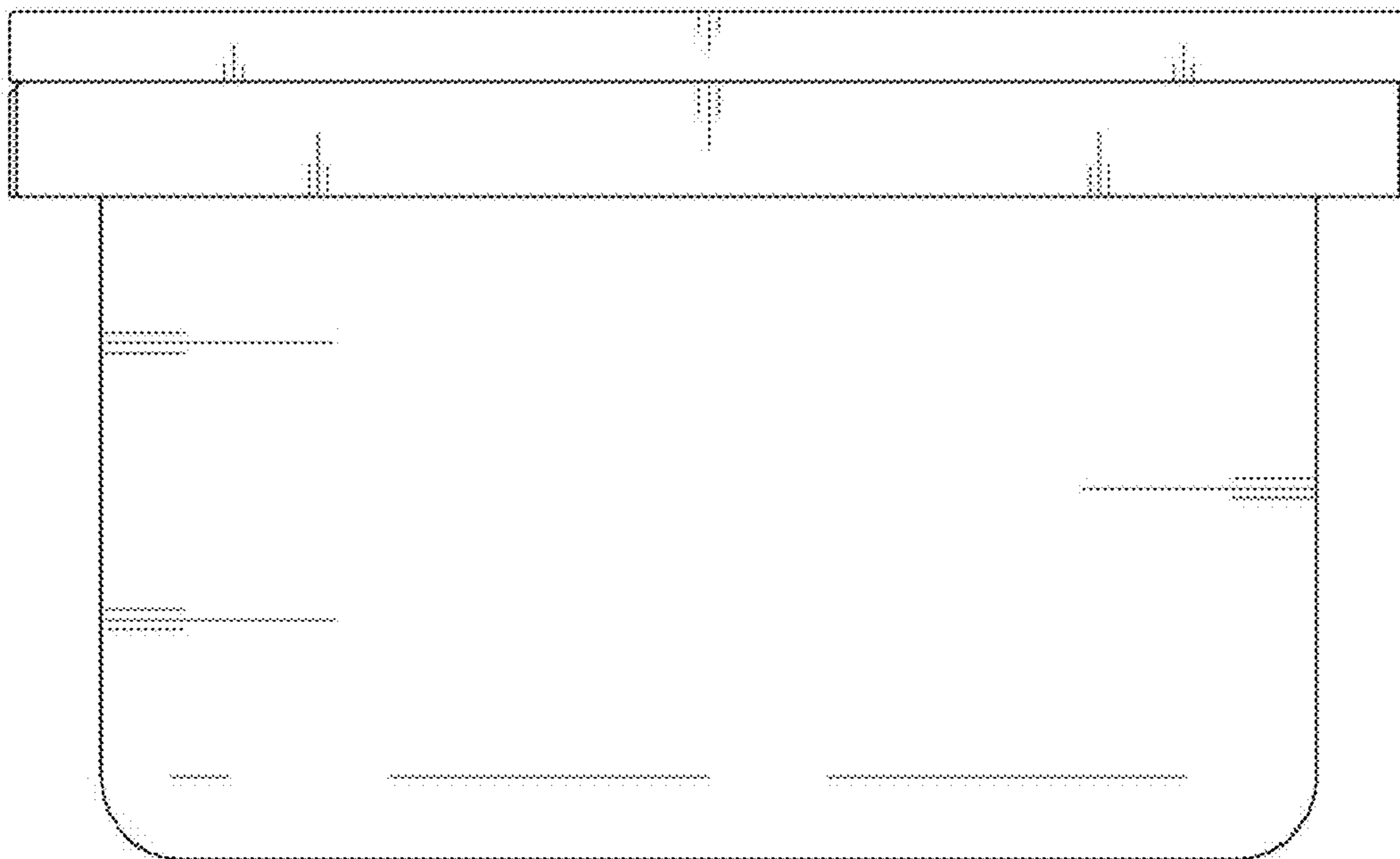
**1 Claim, 5 Drawing Sheets**



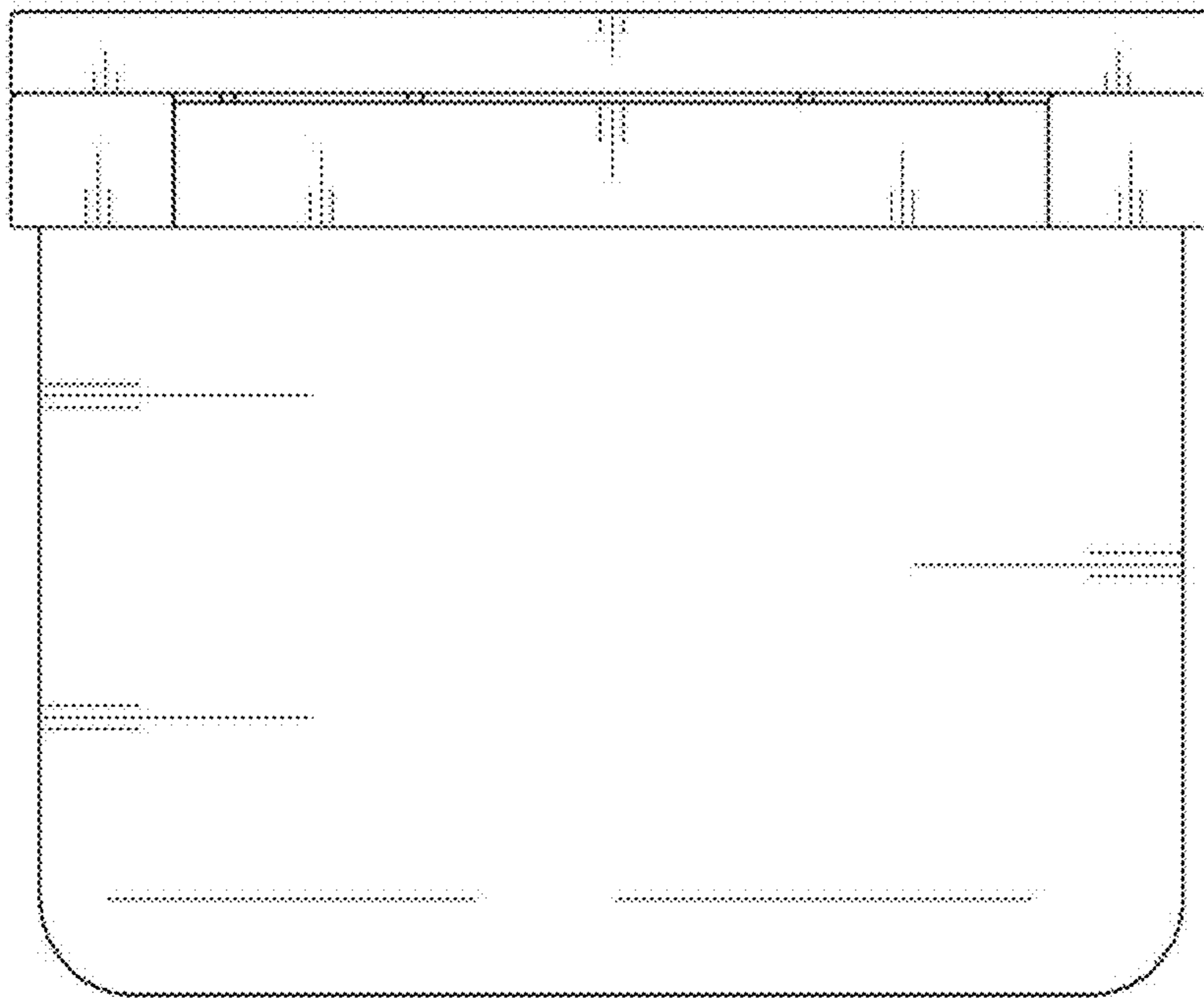
1.1



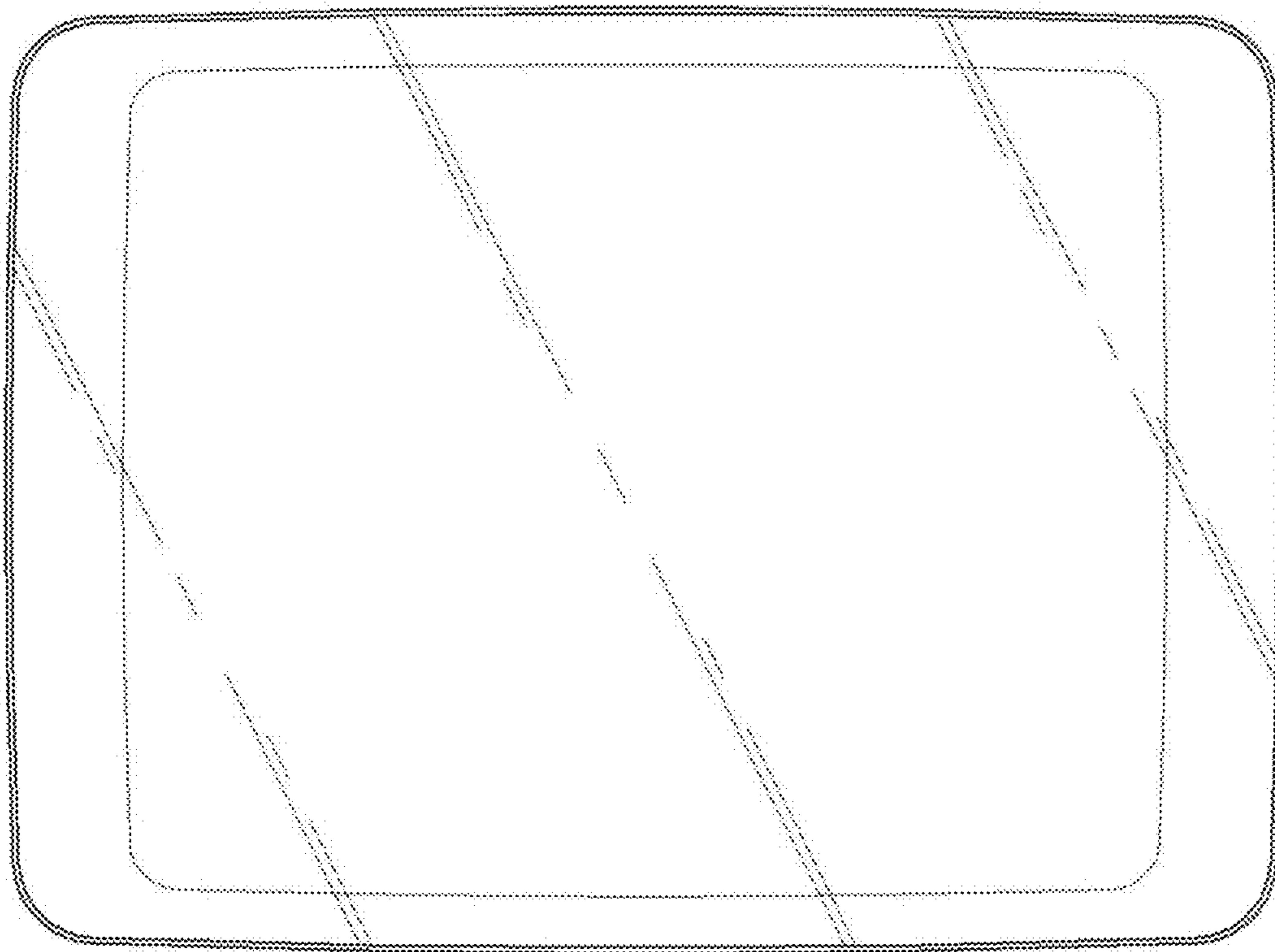
1.2



1.3



1.4



1.5

