

US00D862175S

(12) **United States Design Patent**
Yu et al.

(10) **Patent No.:** **US D862,175 S**
(45) **Date of Patent:** **** Oct. 8, 2019**

(54) **LID OF CONTAINER FOR KIMCHI**

D689,532 S * 9/2013 Van D15/89
D698,614 S * 2/2014 Duvigneau D7/629
D722,832 S * 2/2015 Ra D7/602

(71) Applicant: **LG ELECTRONICS INC.**, Seoul
(KR)

(Continued)

(72) Inventors: **Seonil Yu**, Seoul (KR); **Kyutae Park**,
Seoul (KR); **Daesung Lee**, Seoul (KR);
Hyun Choi, Seoul (KR); **Junyi Heo**,
Seoul (KR)

Primary Examiner — Michael A. Pratt

(74) *Attorney, Agent, or Firm* — Birch, Stewart, Kolasch
& Birch, LLP

(73) Assignee: **LG ELECTRONICS INC.**, Seoul
(KR)

(57) **CLAIM**

The ornamental design for a lid of container for kimchi, as
shown and described.

(**) Term: **15 Years**

DESCRIPTION

(21) Appl. No.: **35/505,302**

1. Lid of container for kimchi

(22) Filed: **Jan. 12, 2018**

1.1 : Perspective

1.2 : Front

(80) **Hague Agreement Data**

Int. Filing Date: **Jan. 12, 2018**
Int. Reg. No.: **DM/100734**
Int. Reg. Date: **Jan. 12, 2018**
Int. Reg. Pub. Date: **Jul. 13, 2018**

1.3 : Left

1.4 : Top

1.5 : Bottom

1.6 : Perspective view 2

1.7 : Reference view

1.8 : Reference view 2

1.9 : Reference view 3

(30) **Foreign Application Priority Data**

Jul. 14, 2017 (KR) 30-2017-0032695

(51) **LOC (12) Cl.** **07-01**

(52) **U.S. Cl.**
USPC **D7/602**

(58) **Field of Classification Search**
USPC D7/601-605, 629; D15/79, 89
CPC B65D 2543/00296; B65D 43/02; B65D
51/18; B65D 81/3813; B65D 9/18
See application file for complete search history.

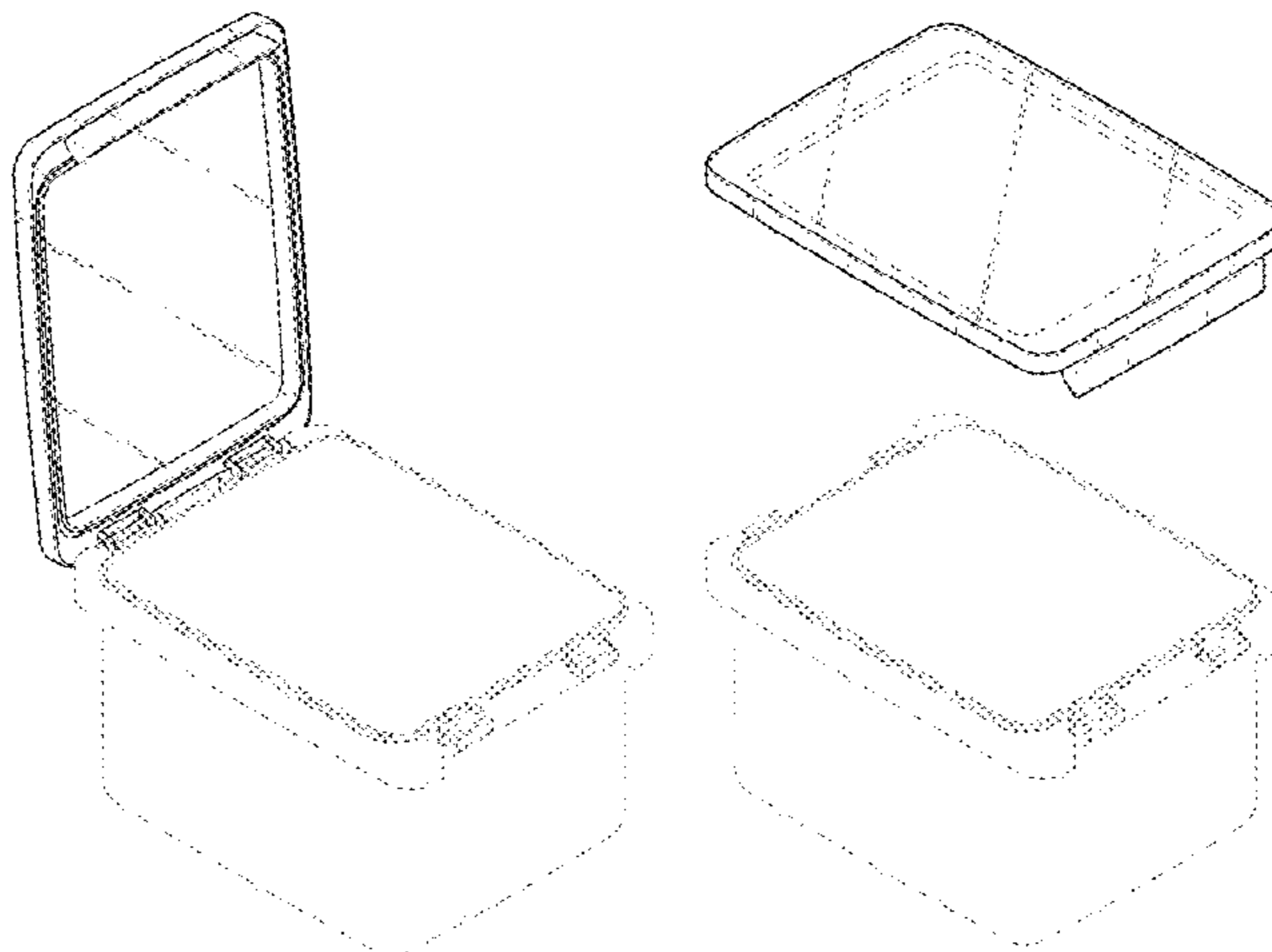
Reproduction **1.1** is a front perspective view of the lid of
container for kimchi; reproduction **1.2** is a front view thereof
where the back view is a mirror image; reproduction **1.3** is
a left view thereof where the right view is a mirror image;
reproduction **1.4** is a top view thereof; reproduction **1.5** is a
bottom view thereof; reproduction **1.6** is a bottom perspec-
tive view thereof; reproduction **1.7** is a reference view
thereof showing a state of being coupled to a container and
form no part of the claimed design; reproduction **1.8** is a
reference view thereof showing the opened state in which
only one side of the fastening part is released and form no
part of the claimed design; reproduction **1.9** is a reference
view thereof showing the completely opened state in which
both sides of fastening parts are released and form no part of
the claimed design; this design is for a lid of container for
kimchi with hinge structure fastening parts, which can be
used by releasing only one side of fastening part; the upper
part is made of transparent glass.

(56) **References Cited**

U.S. PATENT DOCUMENTS

D284,196 S * 6/1986 Wolff D15/89
D553,165 S * 10/2007 Lee D15/79

1 Claim, 9 Drawing Sheets



(56)

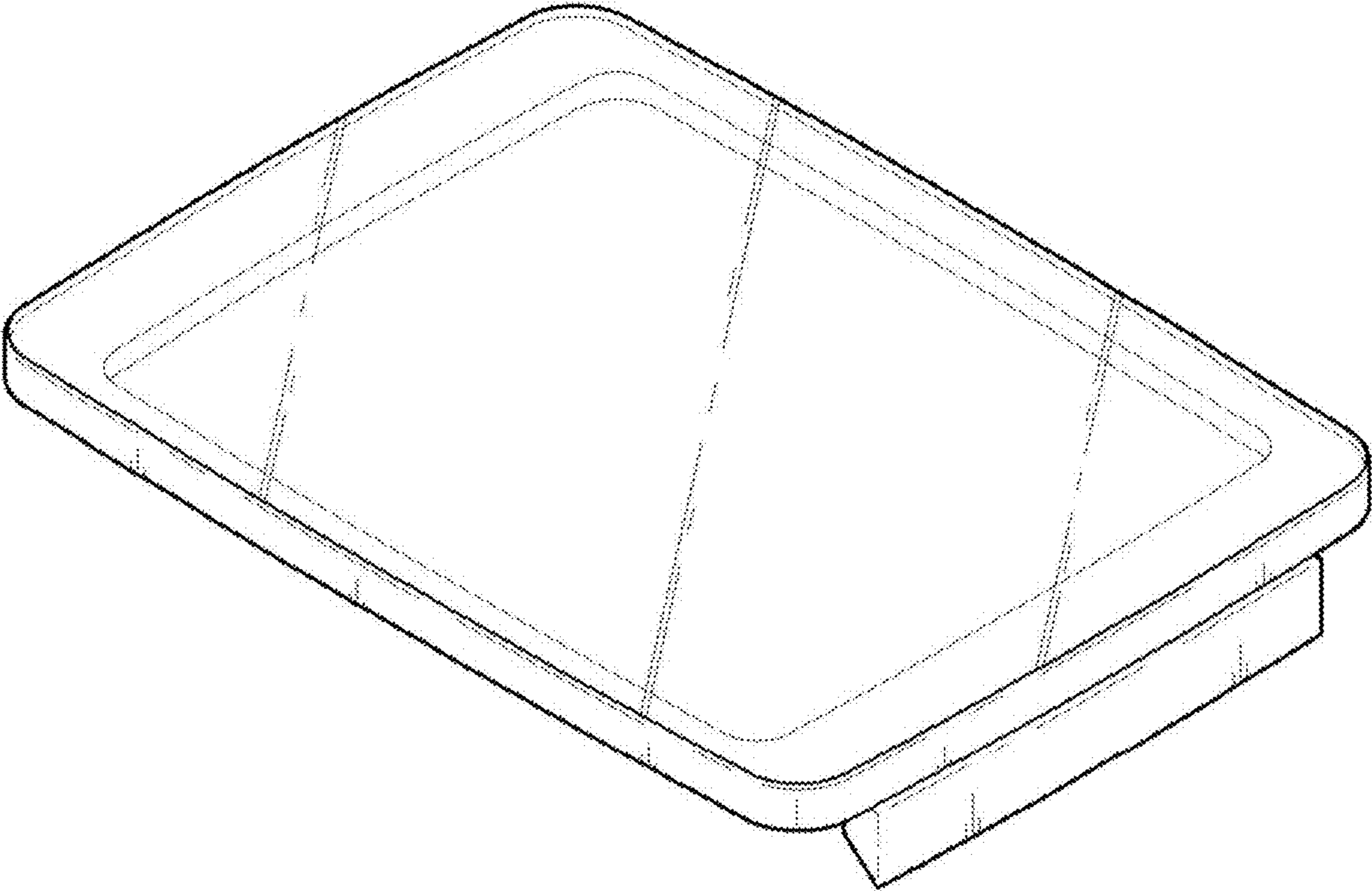
References Cited

U.S. PATENT DOCUMENTS

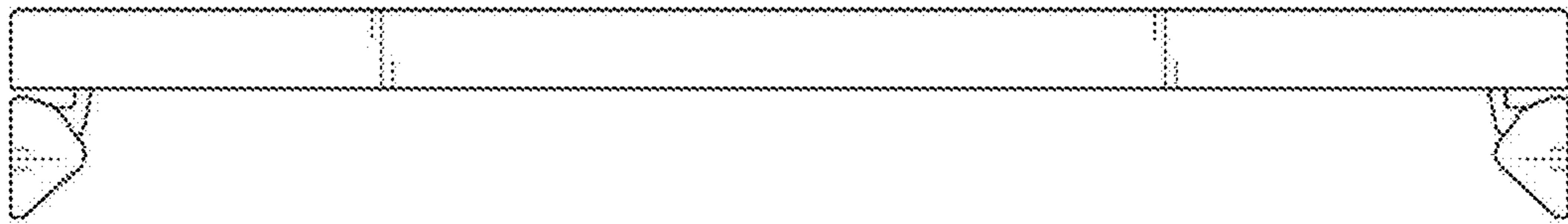
D815,924	S	*	4/2018	Croft	D7/629
D823,064	S	*	7/2018	Eichinger	D7/605
D830,790	S	*	10/2018	Lee	D7/629
D830,791	S	*	10/2018	Lee	D7/629
D840,150	S	*	2/2019	Seiders	D3/294
2005/0127071	A1	*	6/2005	Khor	B65D 45/20 220/4.28
2013/0233854	A1	*	9/2013	Smyers	B65D 53/00 220/240
2013/0234406	A1	*	9/2013	Harvey	B65D 53/02 277/645
2014/0261381	A1	*	9/2014	Ra	A47J 36/2405 126/263.05
2019/0119000	A1	*	4/2019	Tsui	B65D 21/086

* cited by examiner

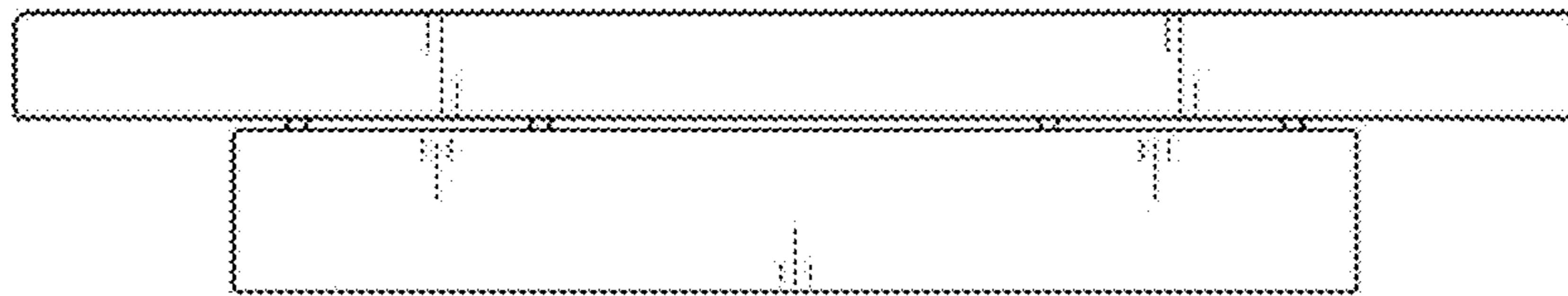
1.1



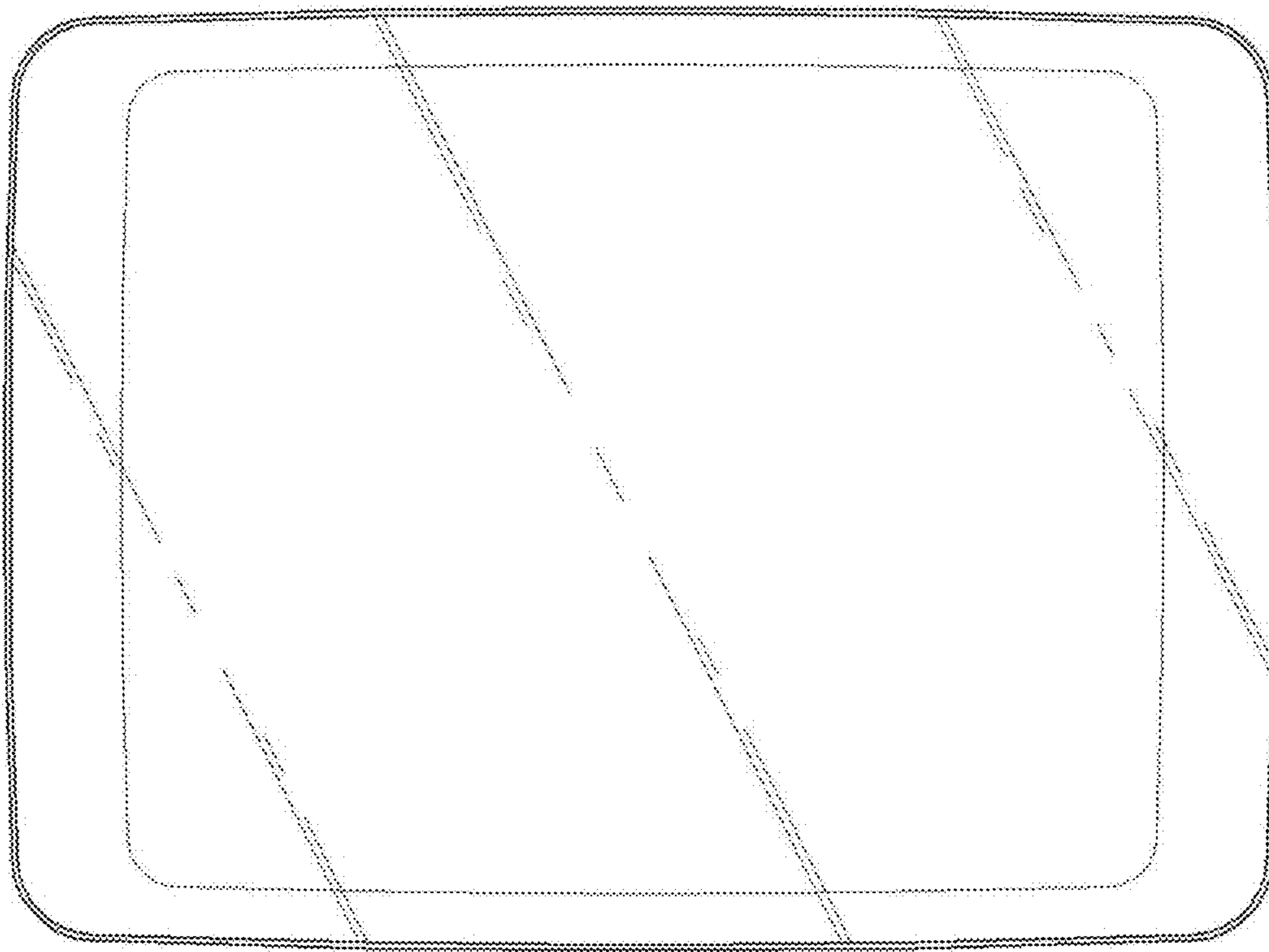
1.2



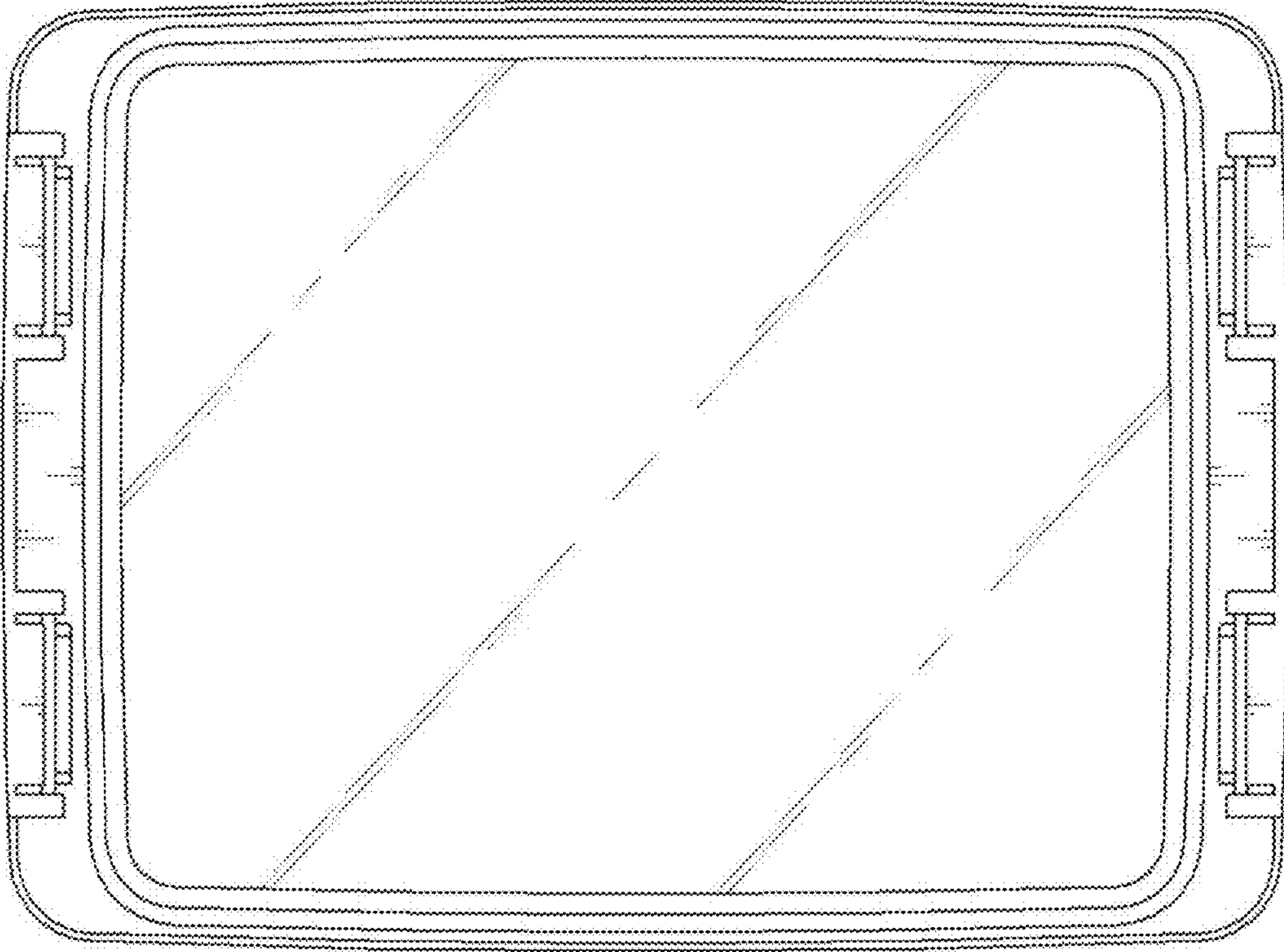
1.3



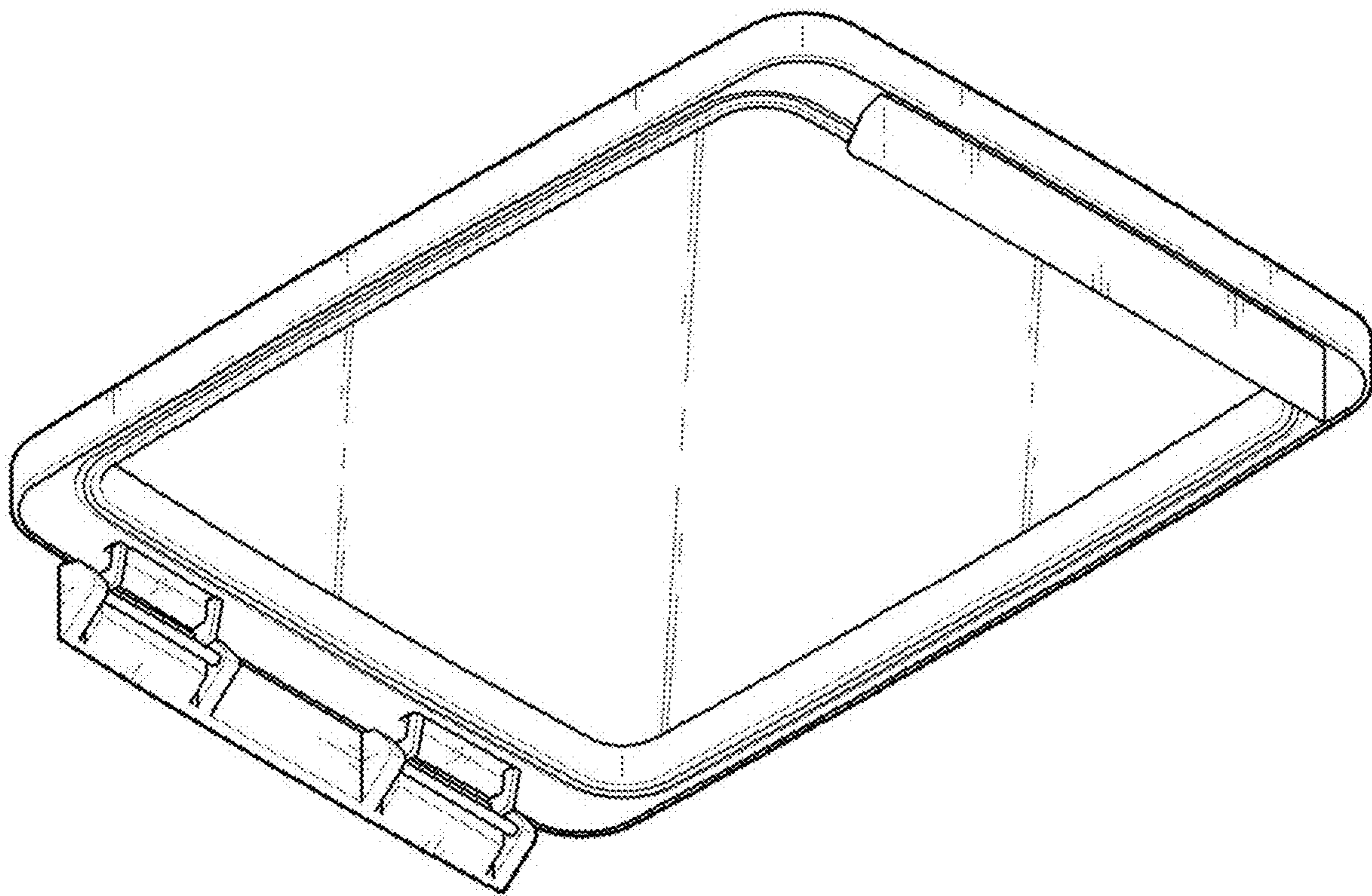
1.4



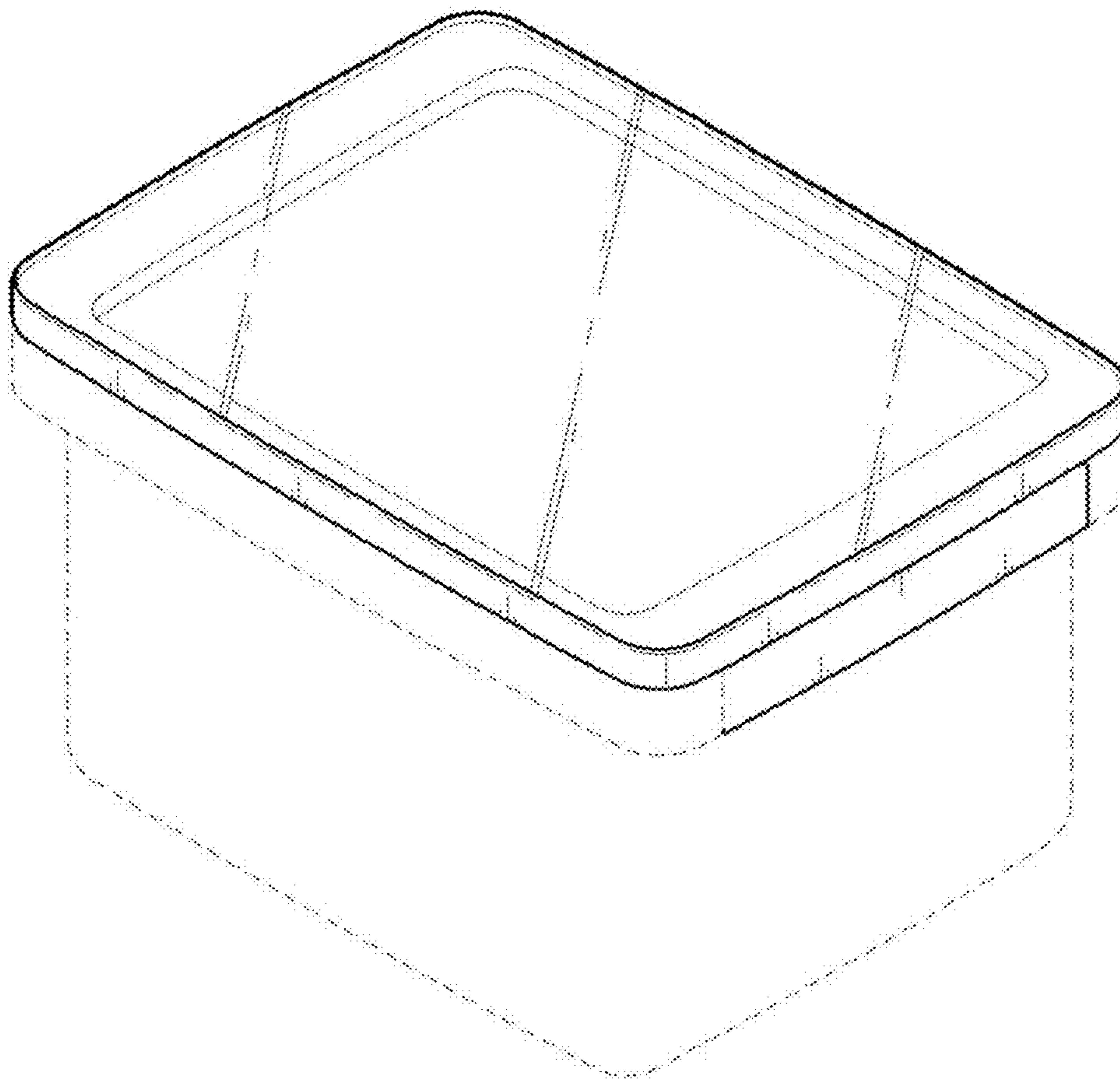
1.5



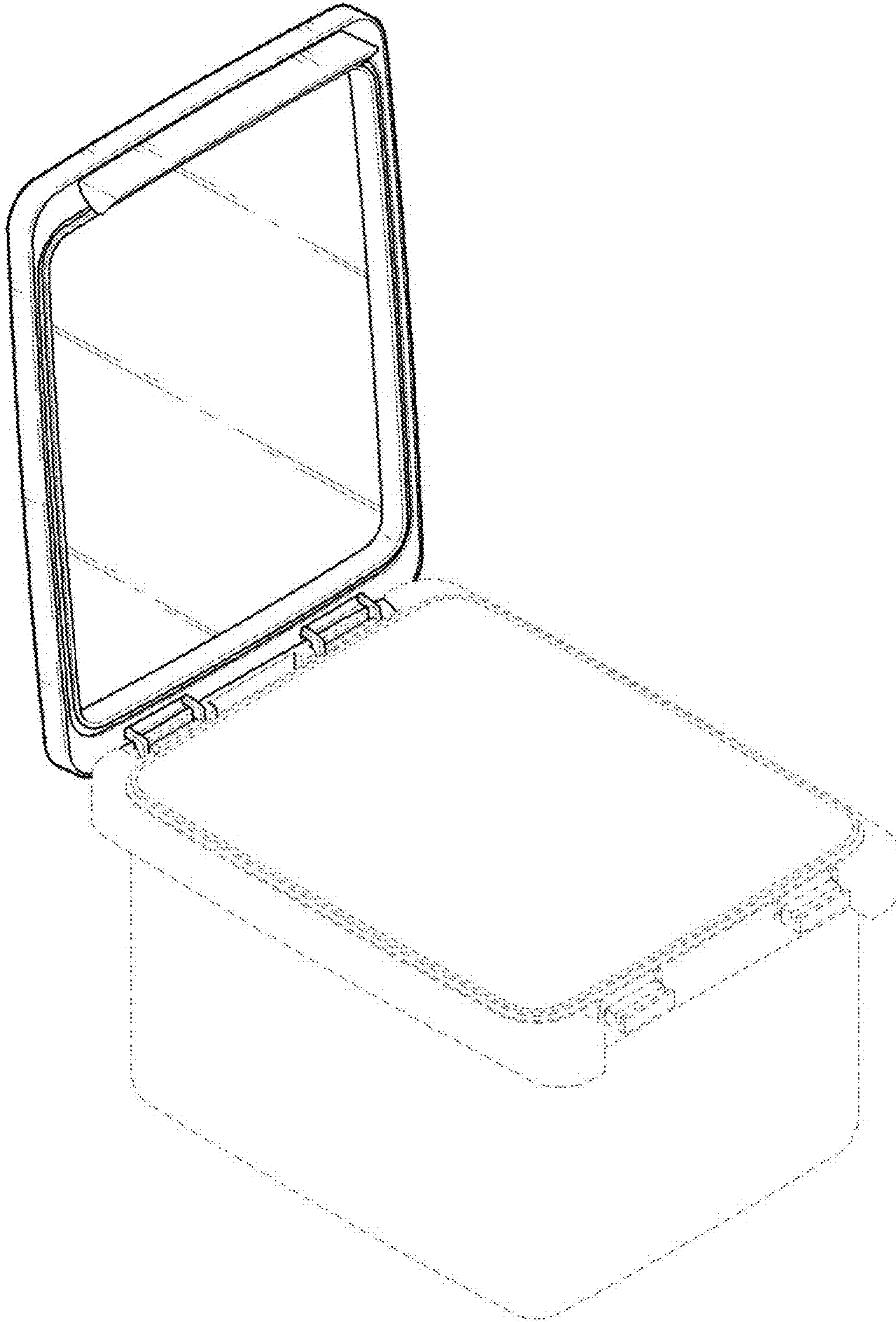
1.6



1.7



1.8



1.9

