

US00D862174S

(12) **United States Design Patent** (10) **Patent No.:** **US D862,174 S**
Weber (45) **Date of Patent:** **** Oct. 8, 2019**

- (54) **TRAVEL TRAY**
- (71) Applicant: **Dorothy Weber**, McKinleyville, CA (US)
- (72) Inventor: **Dorothy Weber**, McKinleyville, CA (US)
- (**) Term: **15 Years**
- (21) Appl. No.: **29/654,125**
- (22) Filed: **Jun. 21, 2018**
- (51) **LOC (12) Cl.** **07-01**
- (52) **U.S. Cl.**
USPC **D7/552.1**
- (58) **Field of Classification Search**
USPC D7/500, 543, 550.1, 552.1, 552.2, 553.1, D7/553.2, 553.3, 553.4, 554.3, 555, D7/601-602, 619.1
CPC ... B65D 1/00; B65D 1/22; B65D 1/34; B65D 1/36
See application file for complete search history.

D550,477 S *	9/2007	Probst	D6/406.5
D653,083 S	1/2012	Hatcher		
D662,712 S *	7/2012	Rodriguez	D3/310
8,485,327 B1	7/2013	Dalrymple		
D749,993 S *	2/2016	Lee	D12/133
9,332,835 B2	5/2016	Shannon		
9,474,346 B2	10/2016	Simon		
9,526,329 B2	12/2016	Glover		
D790,857 S *	7/2017	Pabonan	D3/310
D793,812 S *	8/2017	Dennis	D7/553.2
D834,893 S *	12/2018	Kase	D7/553.4
D845,078 S *	4/2019	Hyman	D7/553.1
2007/0158156 A1	7/2007	Chen		
2014/0299428 A1	10/2014	Gadbois		
2016/0081469 A1	3/2016	Undresser		

* cited by examiner

Primary Examiner — Kelley A Donnelly

(57) **CLAIM**

The ornamental design for a travel tray, as shown and described.

DESCRIPTION

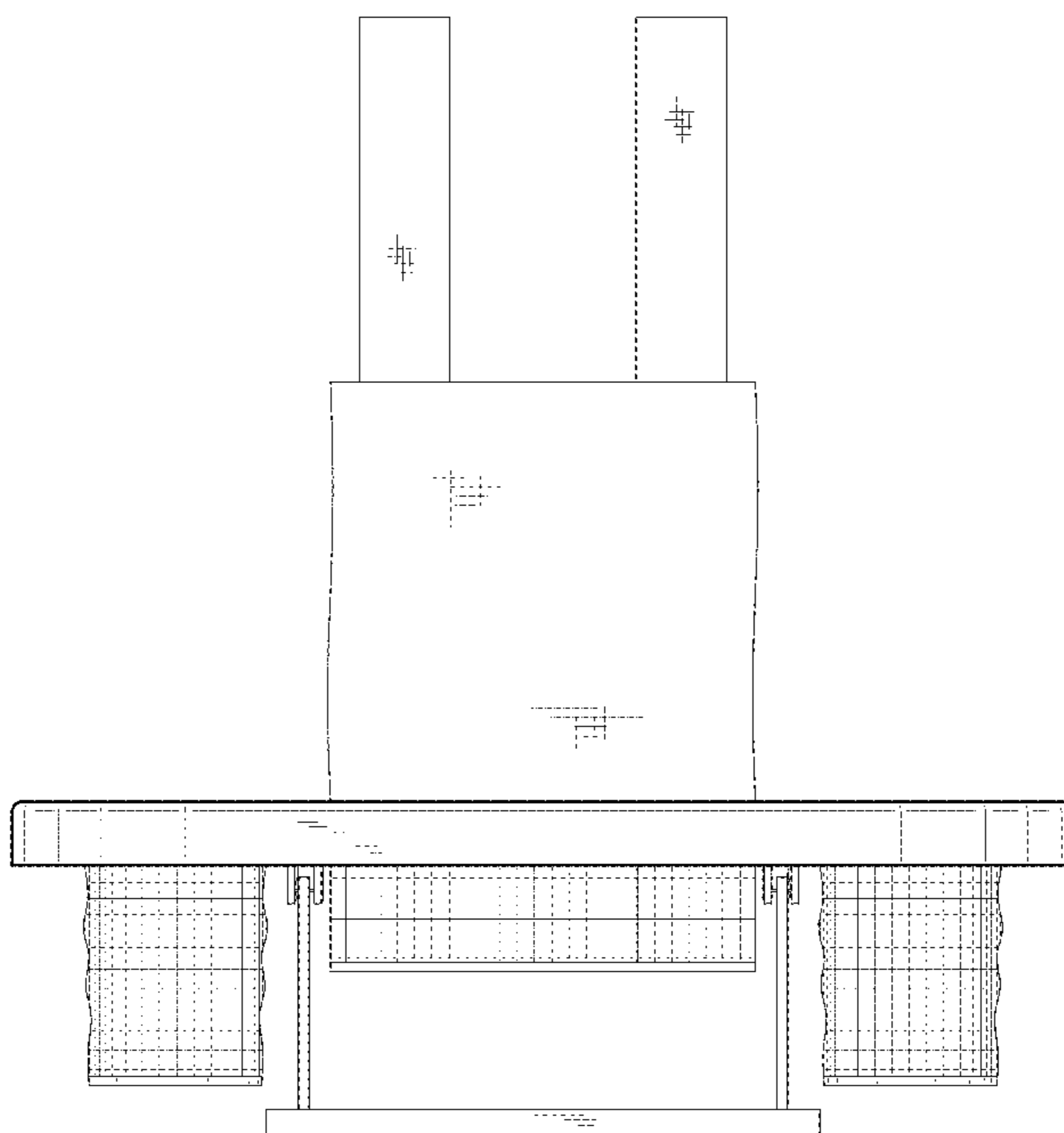
FIG. 1 is a front view of a travel tray showing my new design;
 FIG. 2 is a rear view of the travel tray;
 FIG. 3 is a left side view of the travel tray;
 FIG. 4 is a right side view of the travel tray;
 FIG. 5 is a top view of the travel tray;
 FIG. 6 is a bottom view of the travel tray; and,
 FIG. 7 is a top front side perspective view of the travel tray.
 The broken lines in the drawing figures define portions of the device which form no part of the claimed design.

1 Claim, 6 Drawing Sheets

(56) **References Cited**

U.S. PATENT DOCUMENTS

D168,277 S *	11/1952	Roberts	211/1
3,167,211 A *	1/1965	McCormick	B65D 71/0003 206/170
3,359,873 A *	12/1967	Carle	B65D 71/0003 206/203
D229,123 S *	11/1973	Fry	D3/308
D397,582 S *	9/1998	Sussman	D7/553.4
D542,034 S *	5/2007	Romano	D25/68



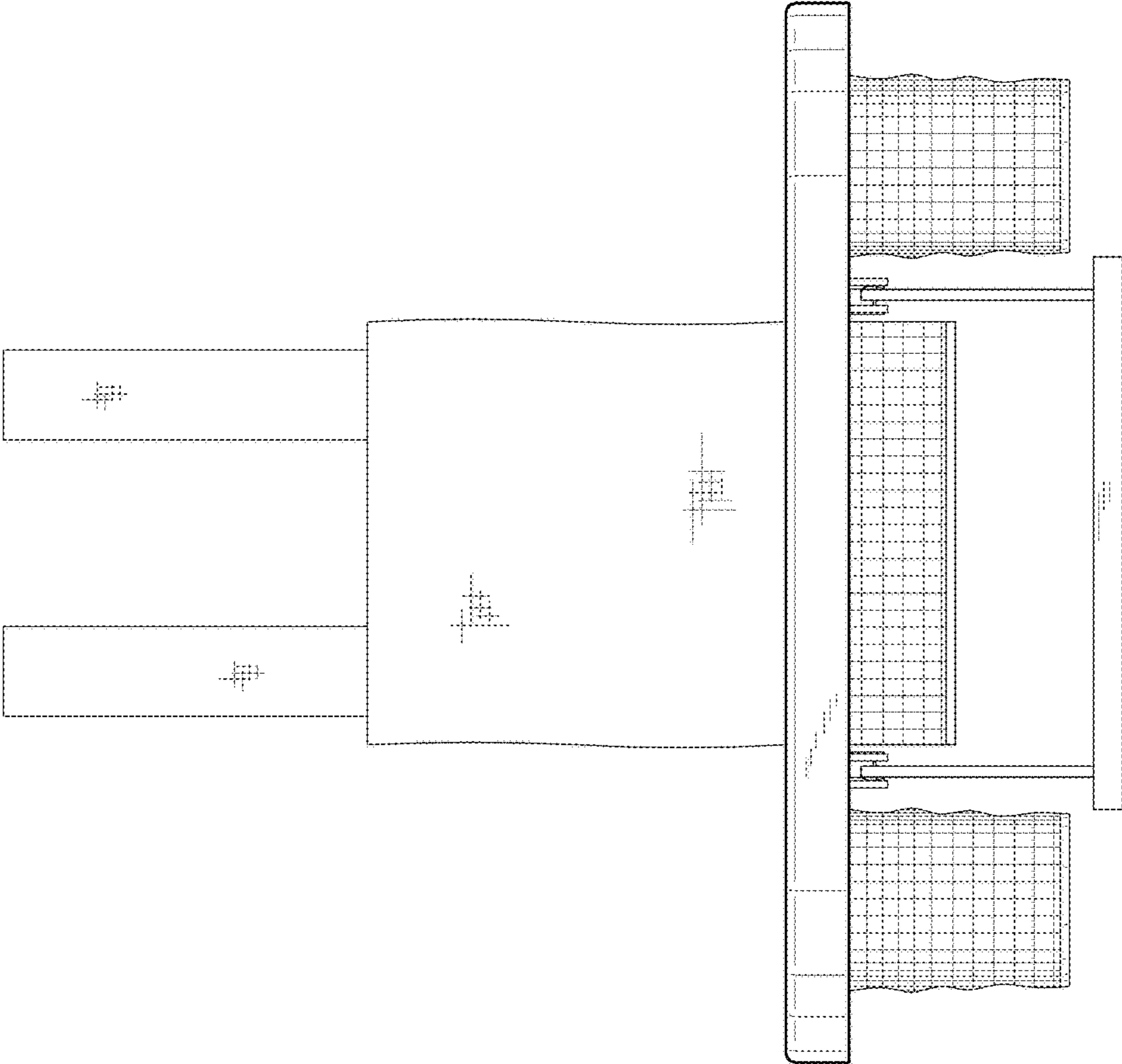


FIG. 1

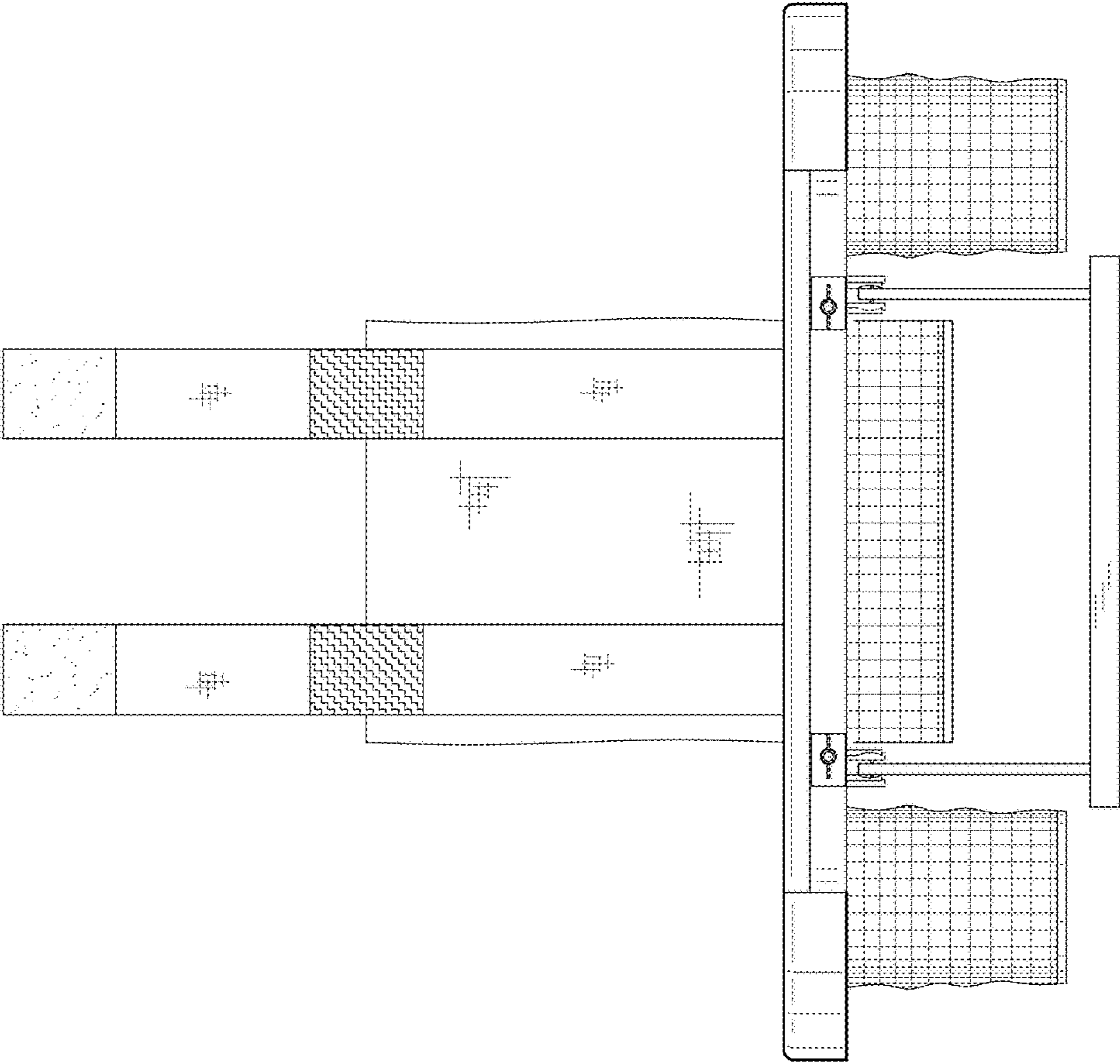


FIG. 2

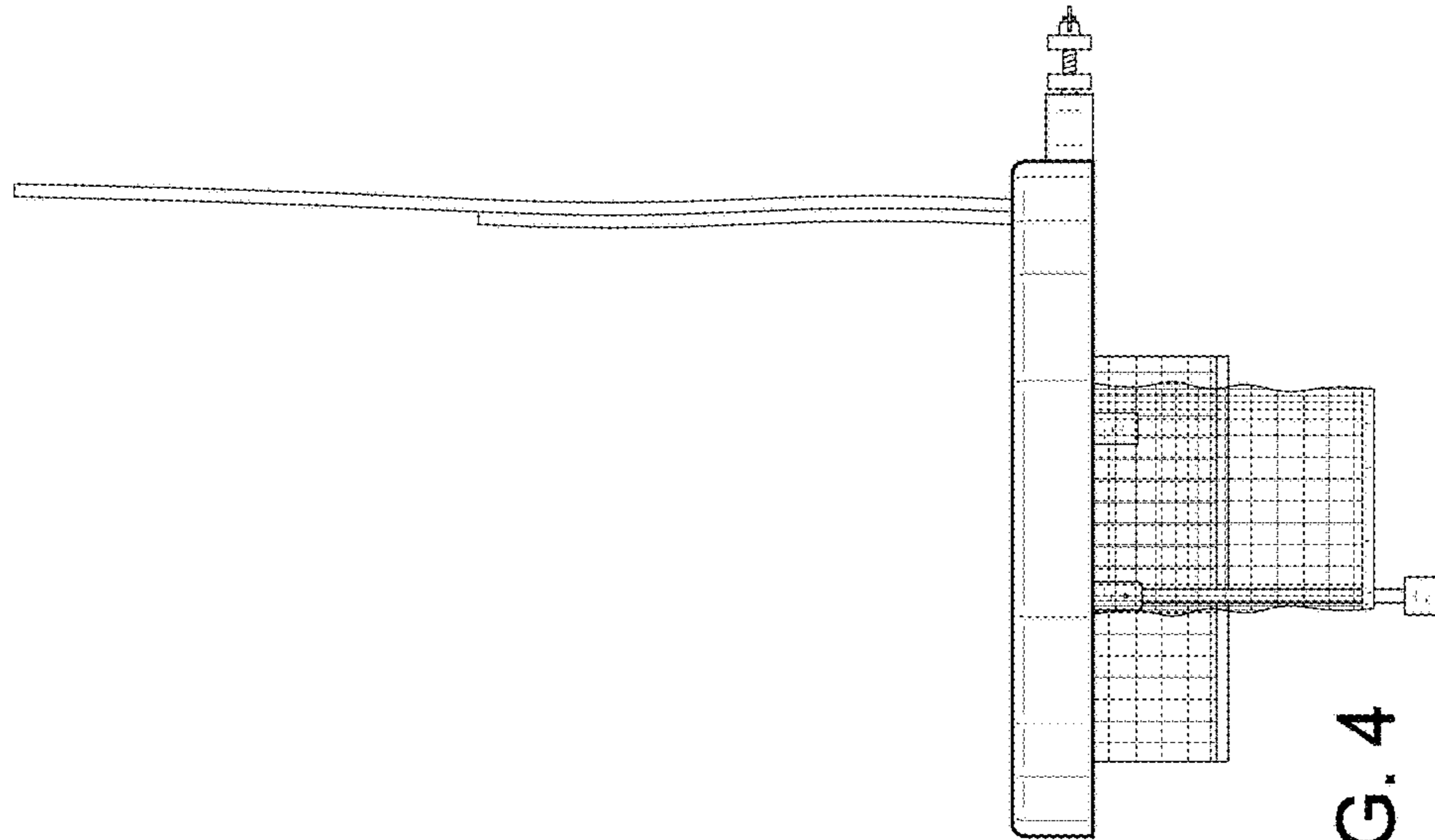


FIG. 4

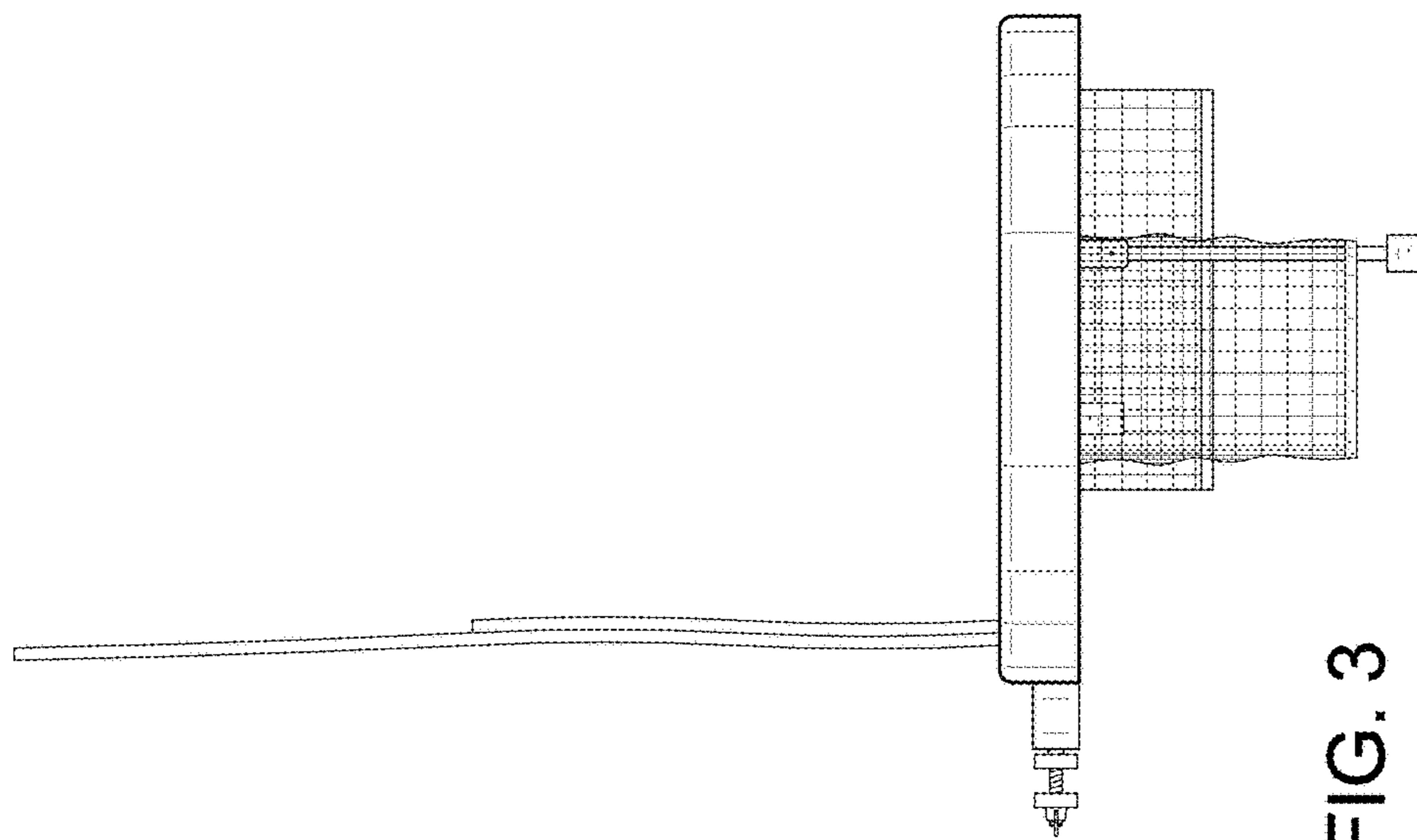


FIG. 3

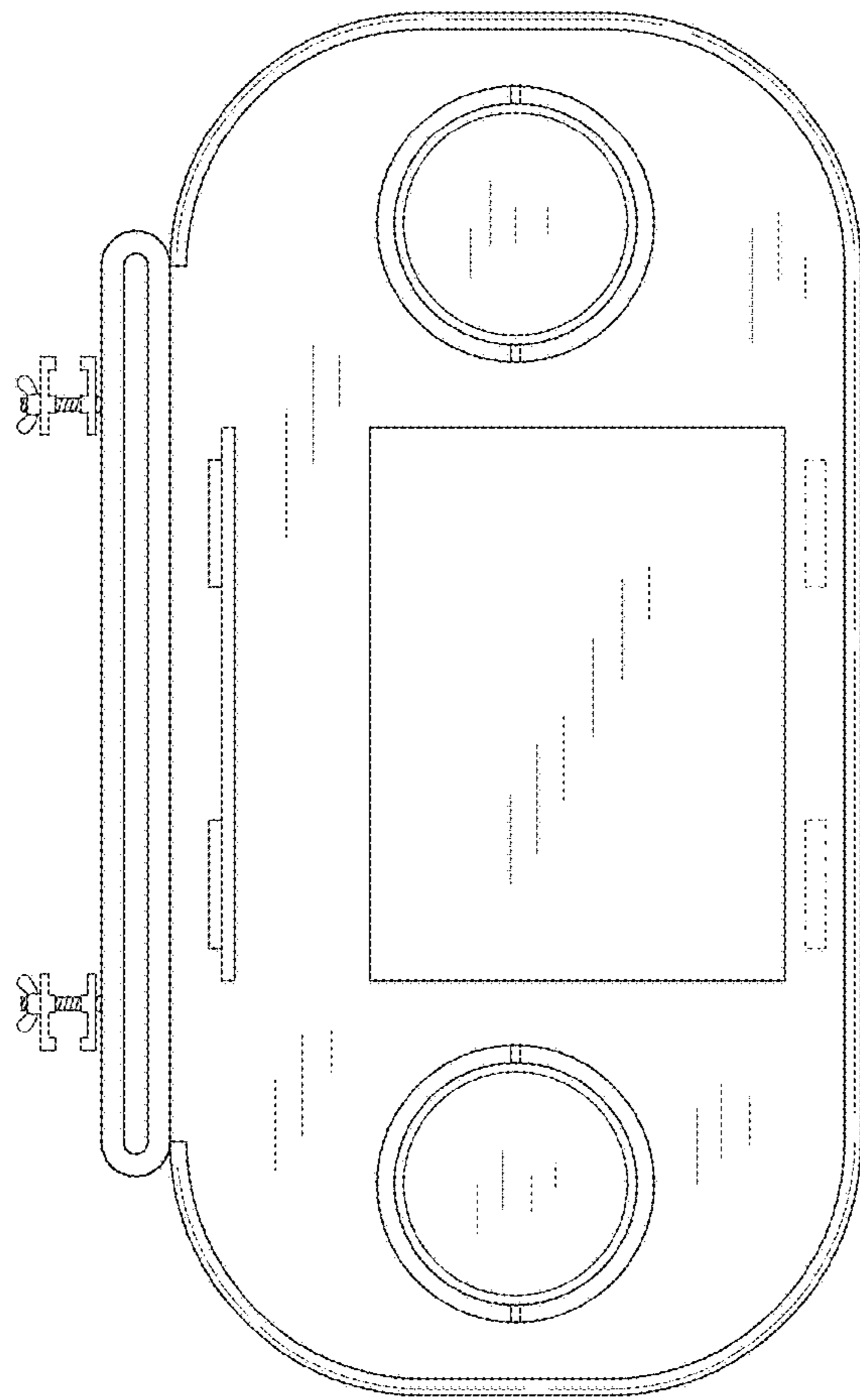


FIG. 5

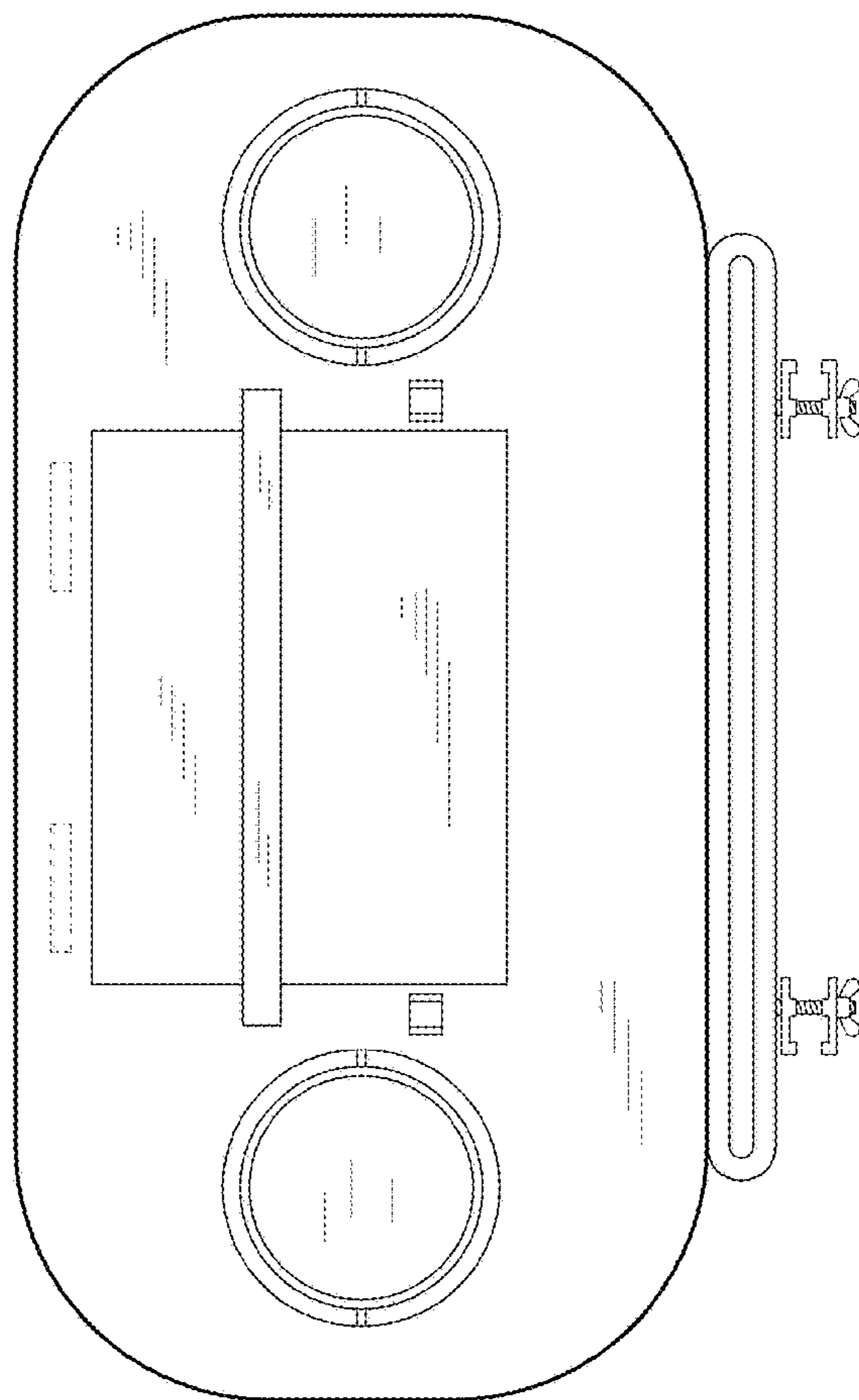


FIG. 6

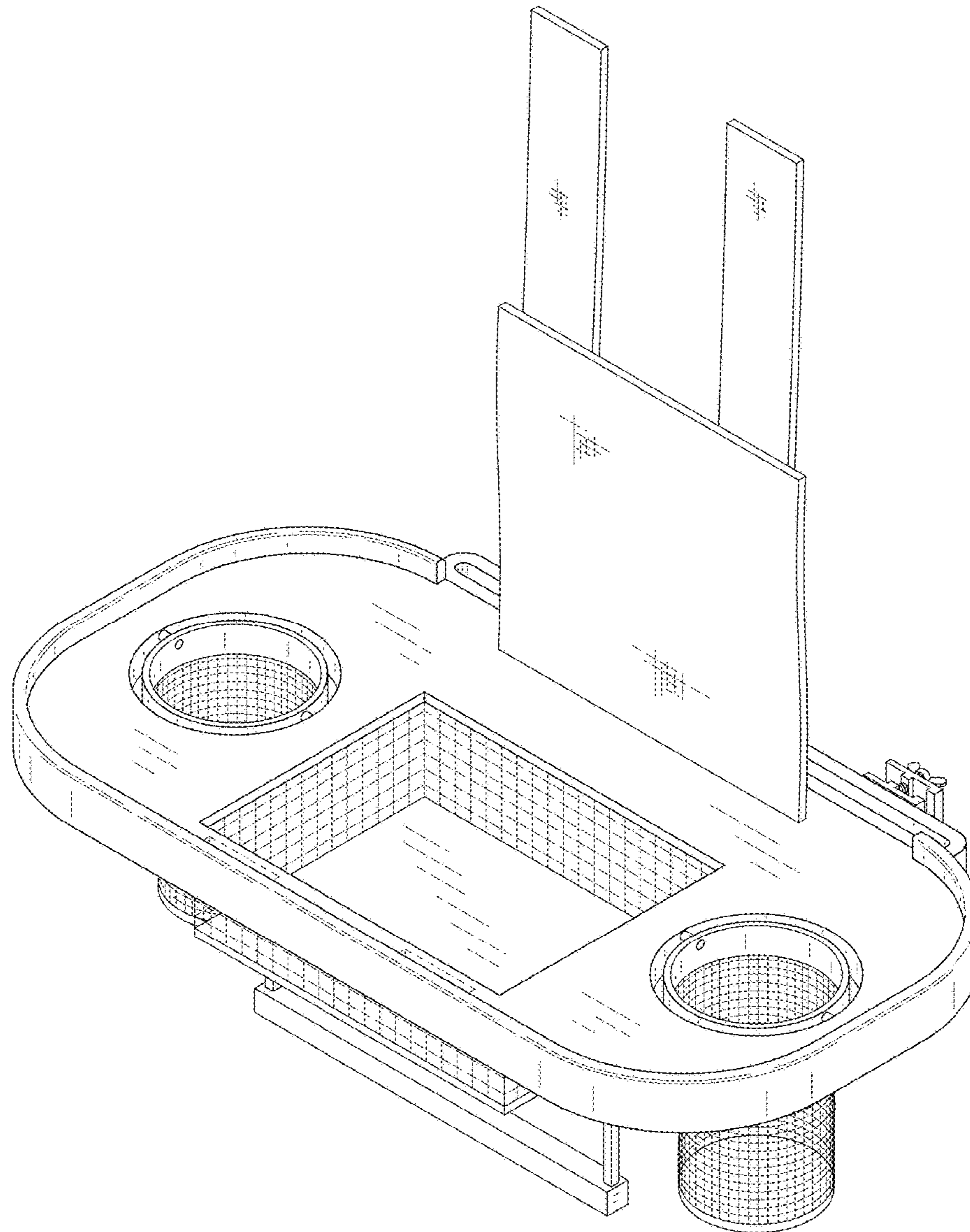


FIG. 7