



US00D862173S

(12) **United States Design Patent**
Papé

(10) **Patent No.:** **US D862,173 S**

(45) **Date of Patent:** **** Oct. 8, 2019**

(54) **GROWLER**

(71) Applicant: **Bryan Papé**, Seattle, WA (US)

(72) Inventor: **Bryan Papé**, Seattle, WA (US)

(**) Term: **15 Years**

(21) Appl. No.: **29/608,002**

(22) Filed: **Jun. 19, 2017**

(51) **LOC (12) Cl.** **07-01**

(52) **U.S. Cl.**
USPC **D7/533**

(58) **Field of Classification Search**
USPC D9/434-436, 516, 530, 534, 537, 540,
D9/545, 715, 719; D7/393, 396.2, 510,
D7/533, 538, 598, 608

CPC A47G 19/12; A47G 19/14; A47J 31/0636
See application file for complete search history.

(56) **References Cited**

U.S. PATENT DOCUMENTS

- D306,970 S * 4/1990 Bauer-Secundus D9/536
- D414,685 S * 10/1999 Chahed D9/443
- D522,796 S * 6/2006 Teh-Hsiung D7/317
- 7,172,101 B2 * 2/2007 Find A47J 41/0005
220/230
- D684,805 S * 6/2013 Bjerre-Poulsen D7/300.1
- D700,802 S * 3/2014 Miller D7/392.1
- D743,269 S * 11/2015 Pape D9/550
- D763,622 S * 8/2016 Shirley D7/511

- D786,619 S * 5/2017 Joseph D7/510
- D794,460 S * 8/2017 Notheis D9/443
- D830,128 S * 10/2018 Rohe D7/531
- D833,820 S * 11/2018 Bram D7/511
- 2017/0101209 A1 * 4/2017 Viedt B65D 11/04

* cited by examiner

Primary Examiner — Ian Simmons

Assistant Examiner — Keith Frank

(74) *Attorney, Agent, or Firm* — Janeway Patent Law,
PLLC; John M. Janeway

(57) **CLAIM**

The ornamental design for a growler, as shown and described.

DESCRIPTION

FIG. 1 is a perspective view of a growler according to the invention.

FIG. 2 is a front, elevation view of the growler.

FIG. 3 is a rear, elevation view of the growler.

FIG. 4 is a left side, elevation view of the growler.

FIG. 5 is a right side, elevation view of the growler.

FIG. 6 is a top, plan view of the growler; and,

FIG. 7 is a bottom, plan view of the growler.

The broken lines in the drawings of the growler illustrate the portions of the growler that form no part of the claimed design.

1 Claim, 3 Drawing Sheets

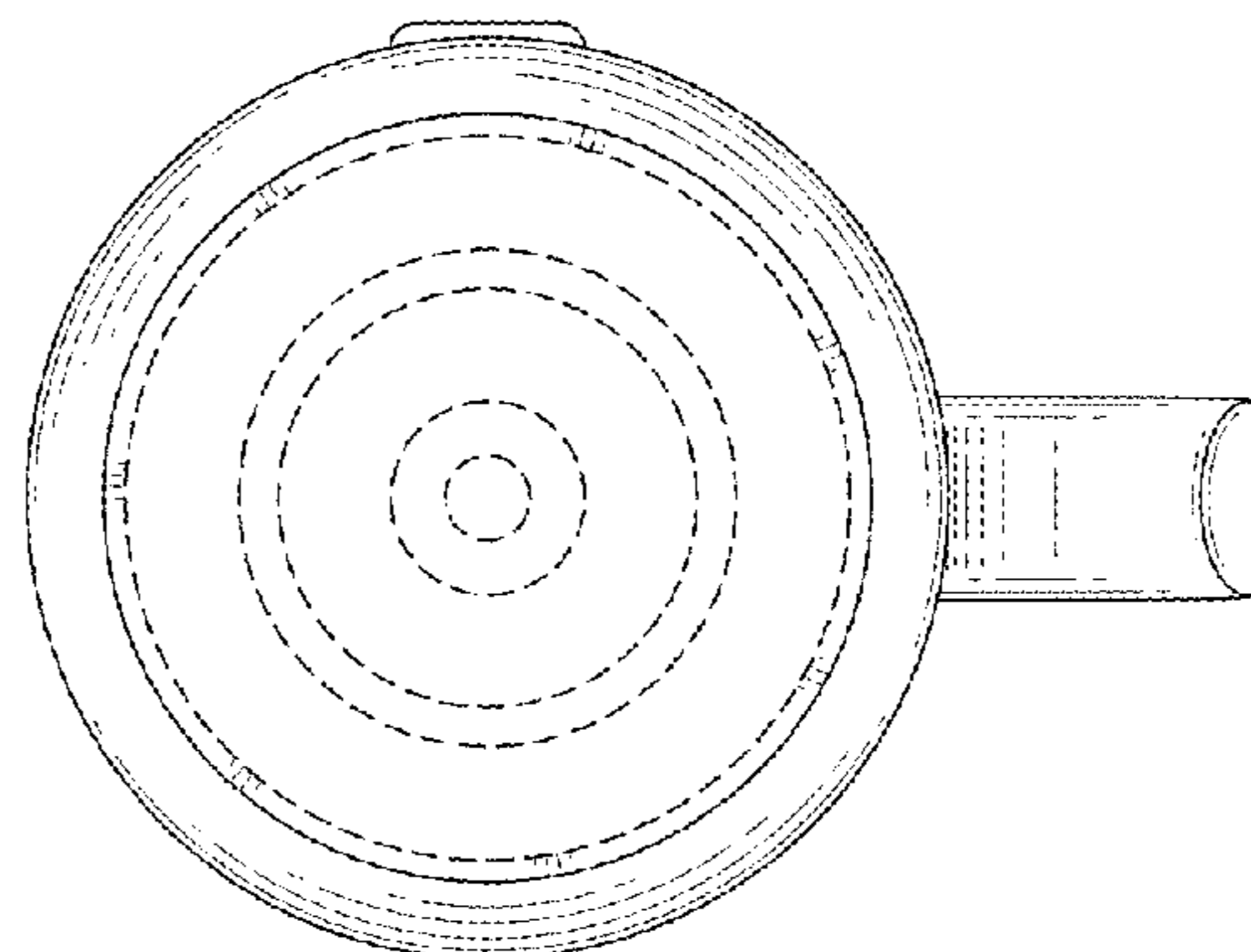
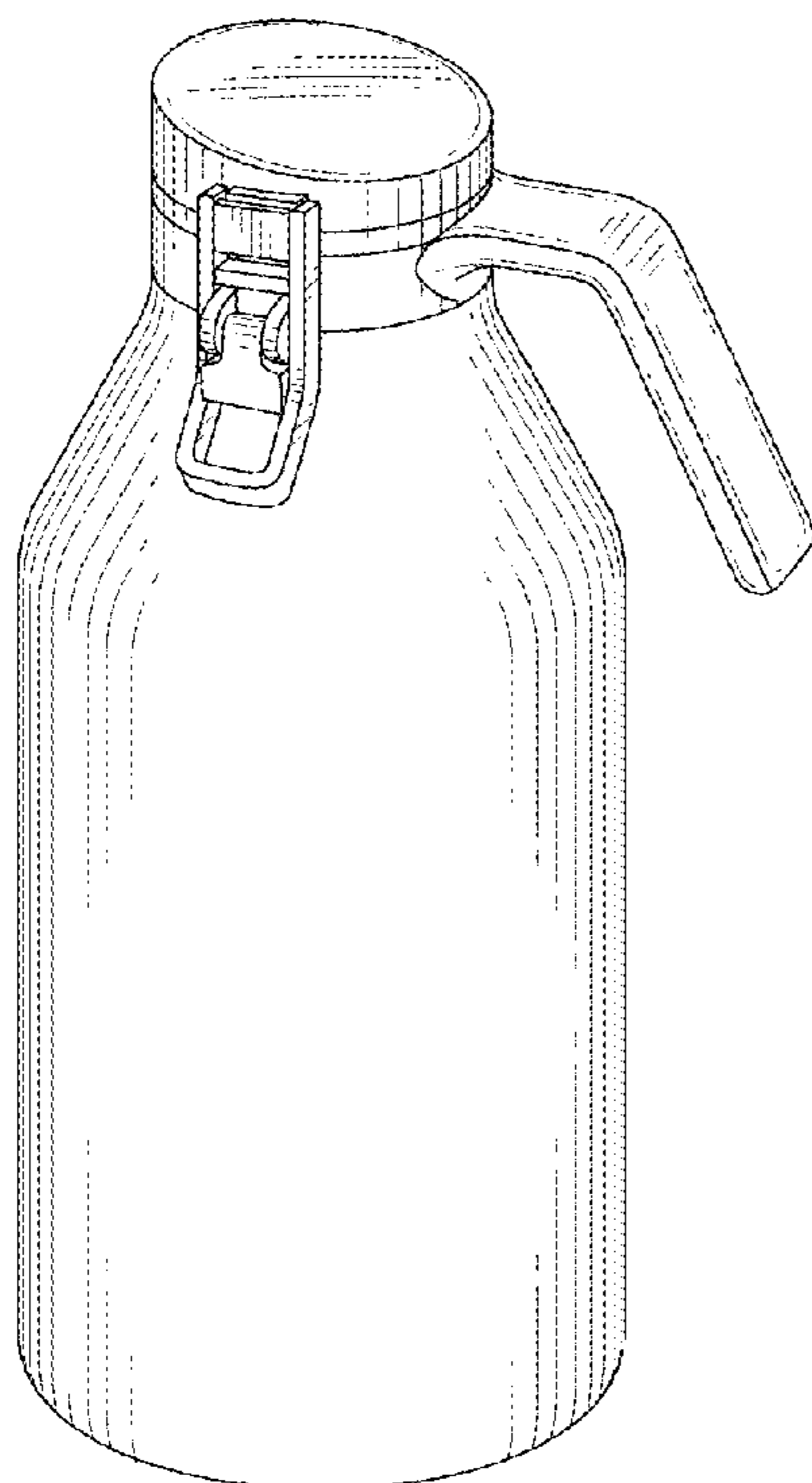


FIG. 1

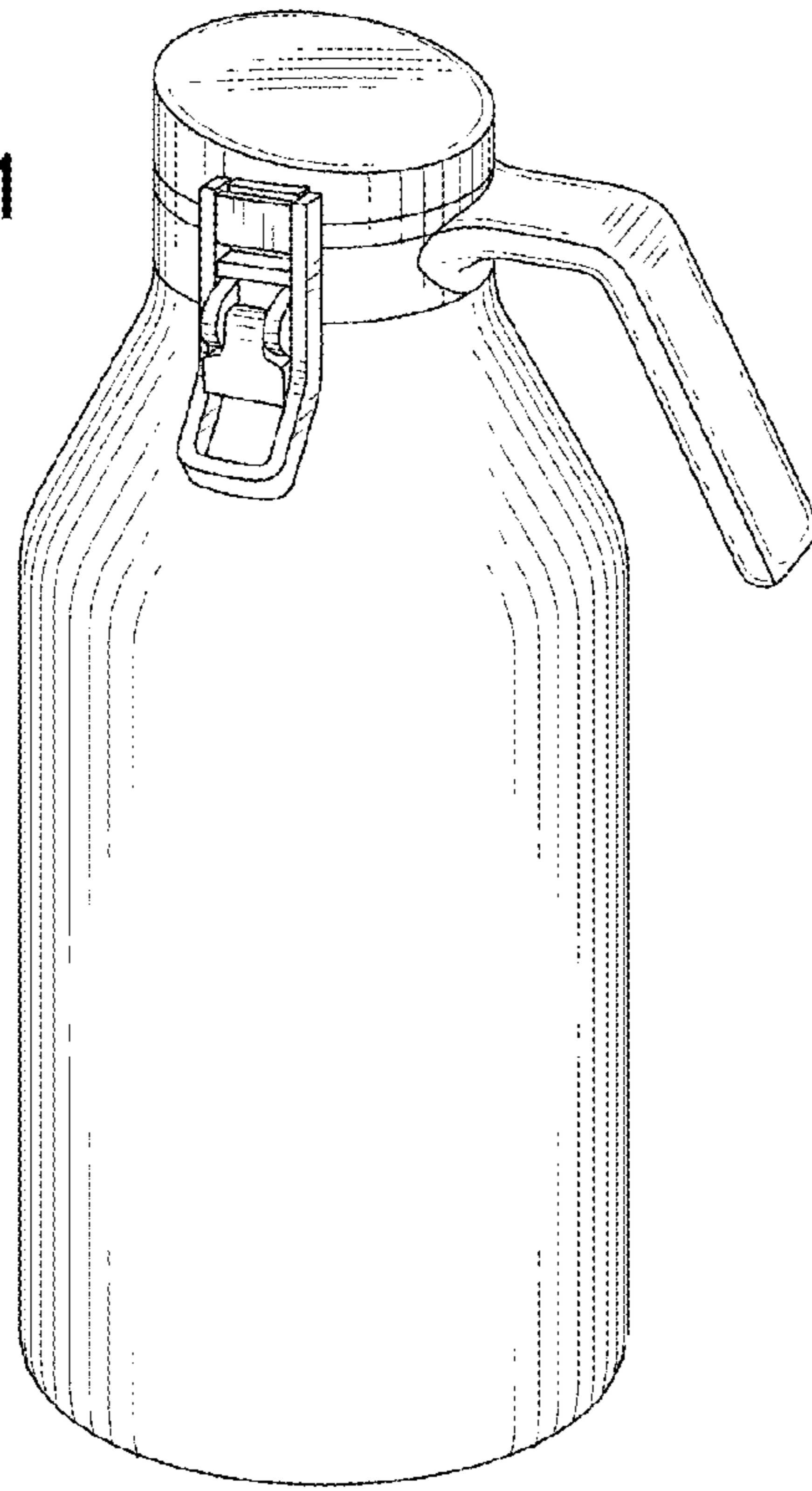


FIG. 6

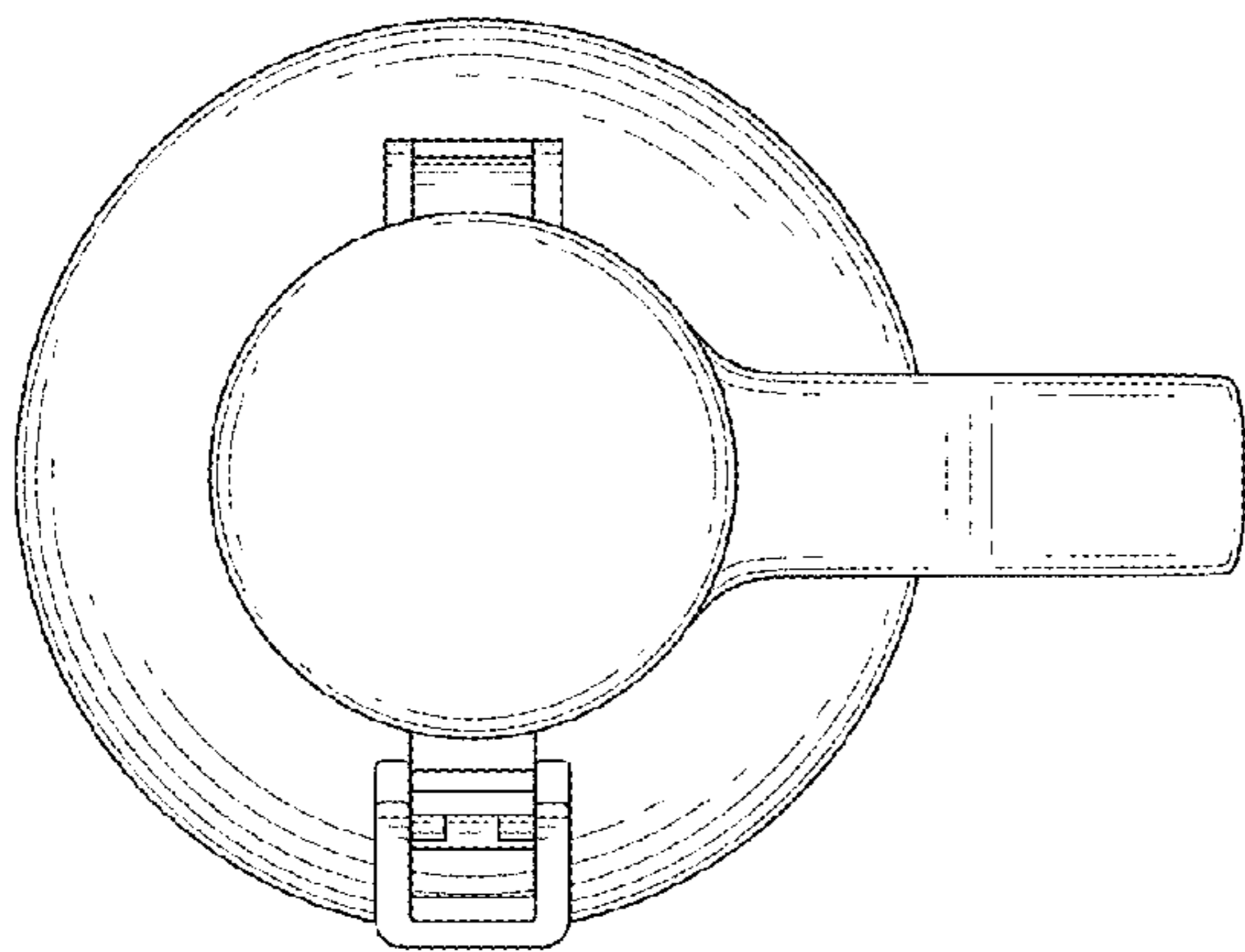


FIG. 7

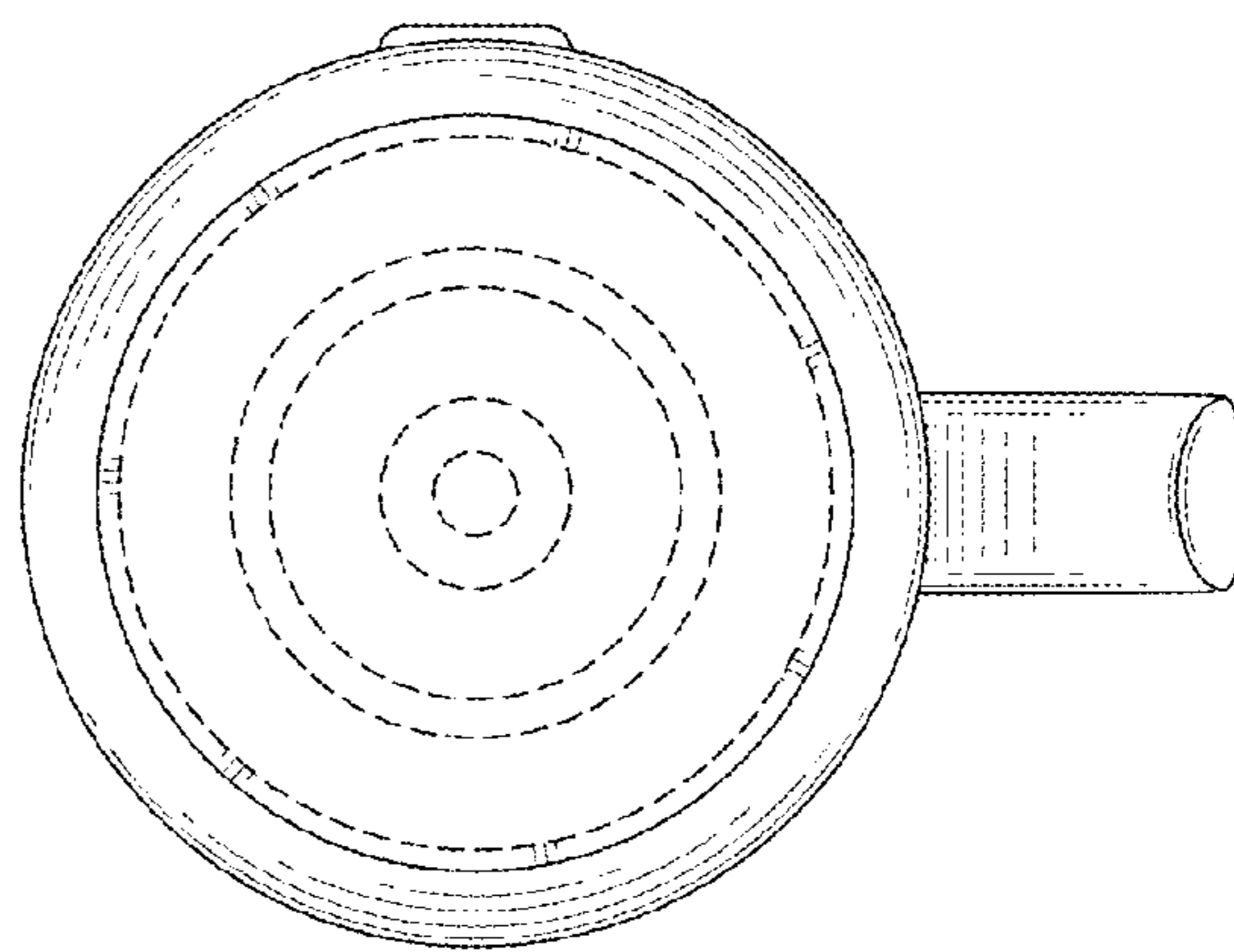


FIG. 2

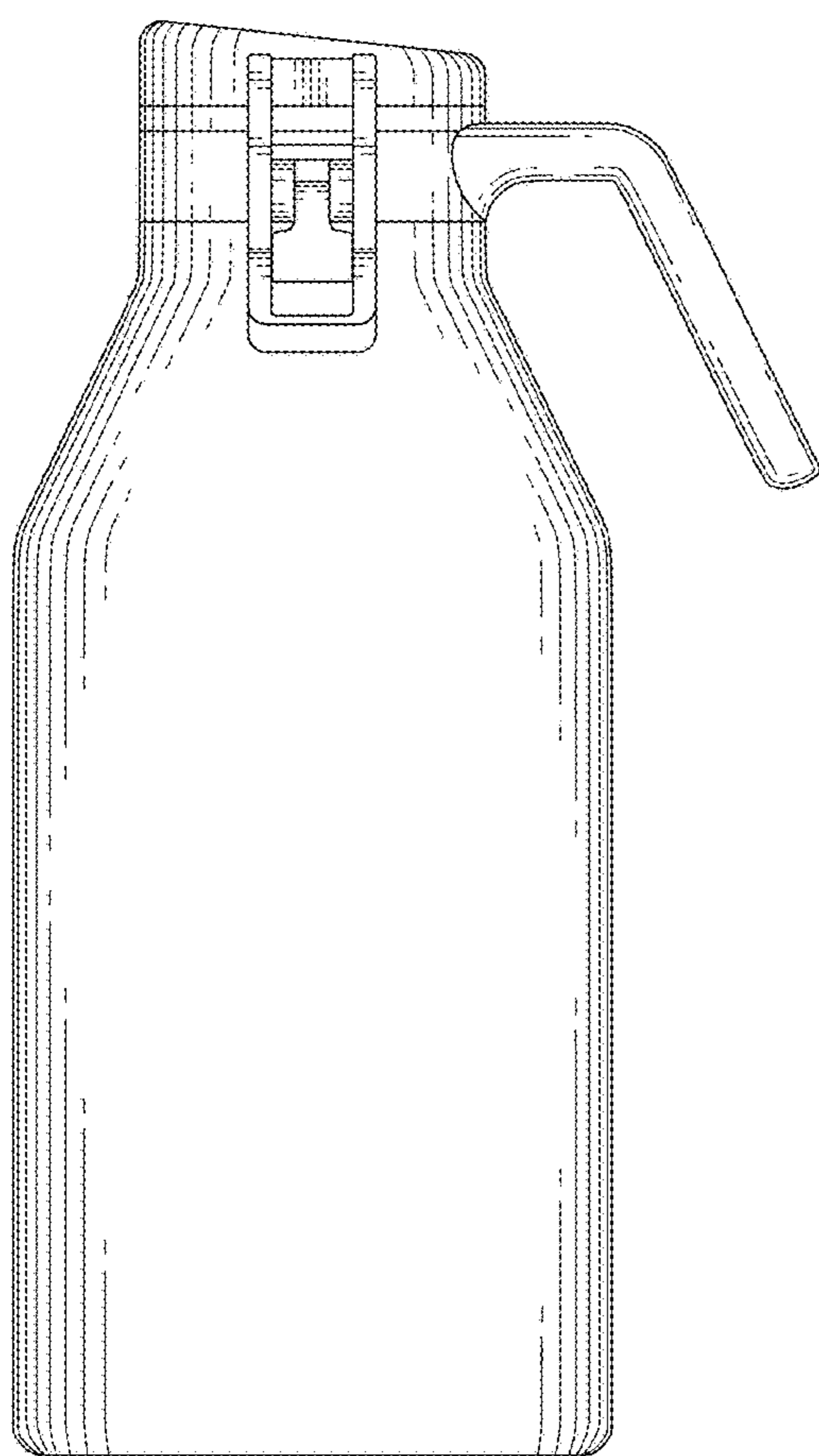


FIG. 3

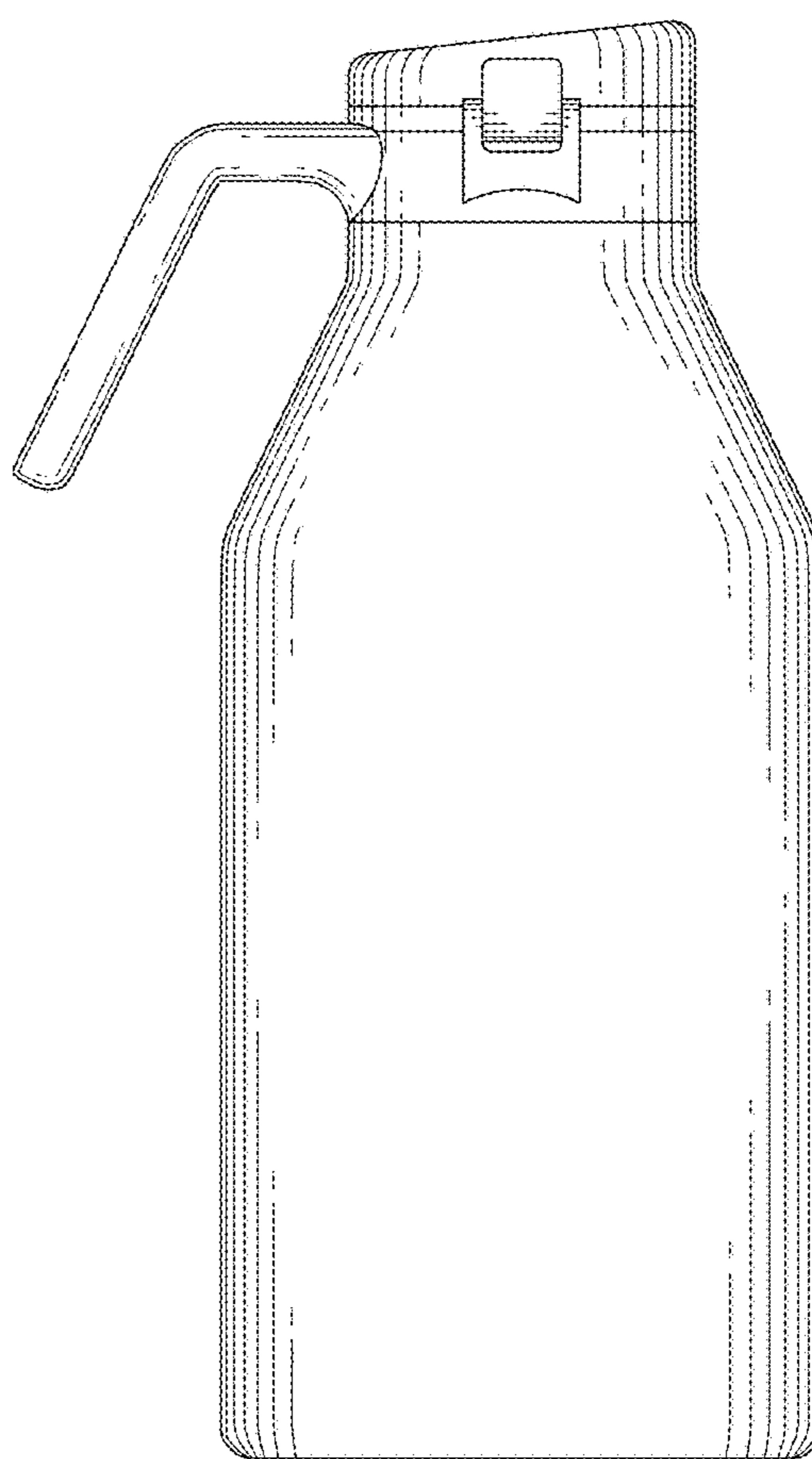


FIG. 4

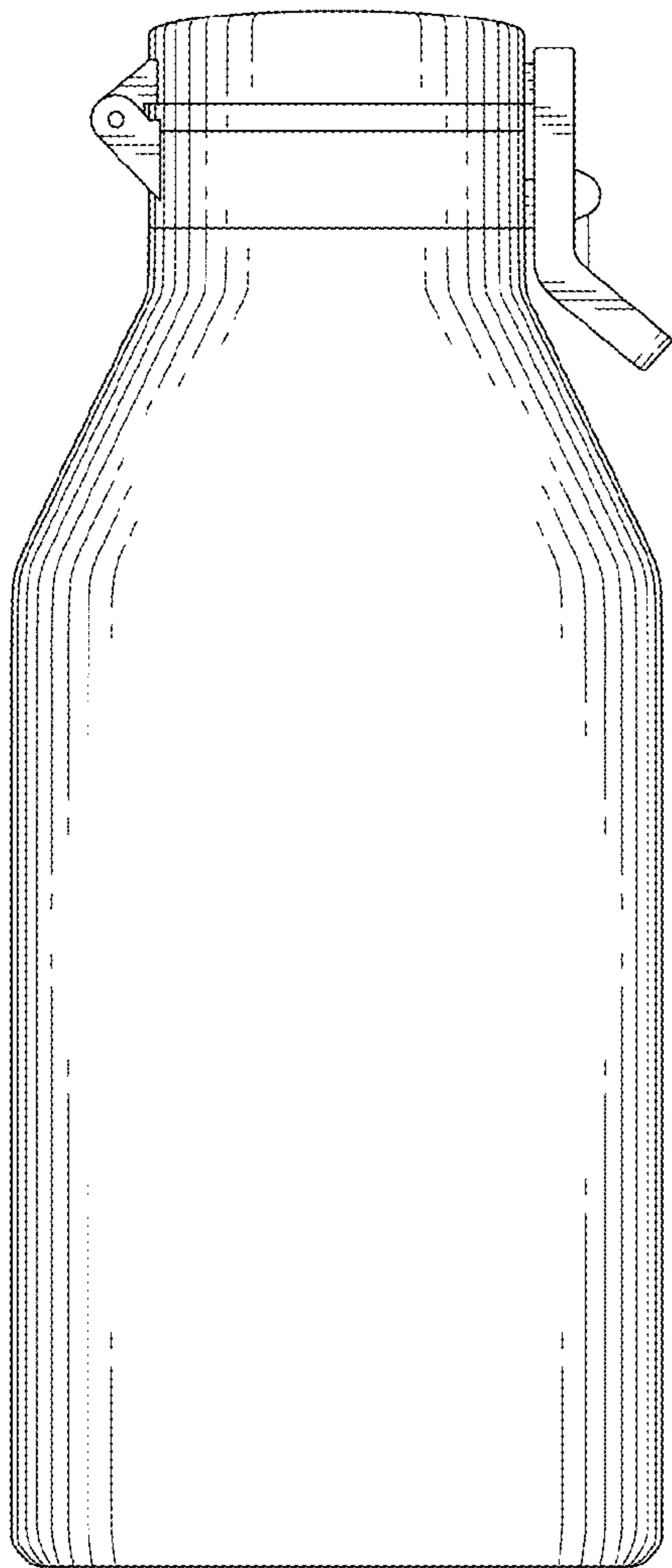


FIG. 5

