

US00D862169S

(12) **United States Design Patent**
Lee et al.

(10) **Patent No.:** **US D862,169 S**
(45) **Date of Patent:** **** Oct. 8, 2019**

(54) **OVEN**

FOREIGN PATENT DOCUMENTS

(71) Applicant: **Samsung Electronics Co., Ltd.**,
Suwon-si (KR)

EM 000640362-0012 1/2007
EM 000640388-0001 2/2007

(Continued)

(72) Inventors: **Junkyo Lee**, Seongnam-si (KR);
Hyeongju Seo, Seoul (KR); **Selim Yoon**,
Seongnam-si (KR); **Jongsu Jeon**,
Seongnam-si (KR)

OTHER PUBLICATIONS

“30 Inch Single Electric Wall Oven” [2018] www.ajmadison.com
Apr. 19, 2018 <<https://www.ajmadison.com/cgi-bin/ajmadison/PT7050DFWW.html>>.

(73) Assignee: **Samsung Electronics Co., Ltd.**,
Suwon-si (KR)

Primary Examiner — Sheryl Lane
Assistant Examiner — Nicole C Shiflet

(**) Term: **15 Years**

(74) *Attorney, Agent, or Firm* — NSIP Law

(21) Appl. No.: **29/644,641**

(57) **CLAIM**

We claim the ornamental design for an oven, as shown and described.

(22) Filed: **Apr. 19, 2018**

DESCRIPTION

(30) **Foreign Application Priority Data**

Jan. 4, 2018 (KR) 30-2018-0000723

(51) **LOC (12) Cl.** **07-02**

(52) **U.S. Cl.**
USPC **D7/409**

(58) **Field of Classification Search**
USPC D7/402–407, 323, 346–349, 332, 351,
D7/350.1–350.4, 339–340
CPC .. F24C 3/002; F24C 3/00; F24C 15/02; F24C
7/00; F24C 5/00; H05B 1/0263; H05B
1/0261

See application file for complete search history.

(56) **References Cited**

U.S. PATENT DOCUMENTS

2,466,360 A * 4/1949 Bitney F24C 15/16
108/137
D364,530 S * 11/1995 Robards, Jr. D7/350.4
D431,416 S * 10/2000 Holbrook D7/402

(Continued)

FIG. 1 is a front perspective view of an oven showing our new design;

FIG. 2 is a front view thereof;

FIG. 3 is a rear view thereof;

FIG. 4 is a left-side view thereof;

FIG. 5 is a right-side view thereof;

FIG. 6 is a top view thereof;

FIG. 7 is a bottom view thereof;

FIG. 8 is a cross-sectional view taken along line 8-8 of FIG. 2;

FIG. 9 is a front perspective view of FIG. 8;

FIG. 10 is an exploded view of FIG. 9 in which the rack portion is separated;

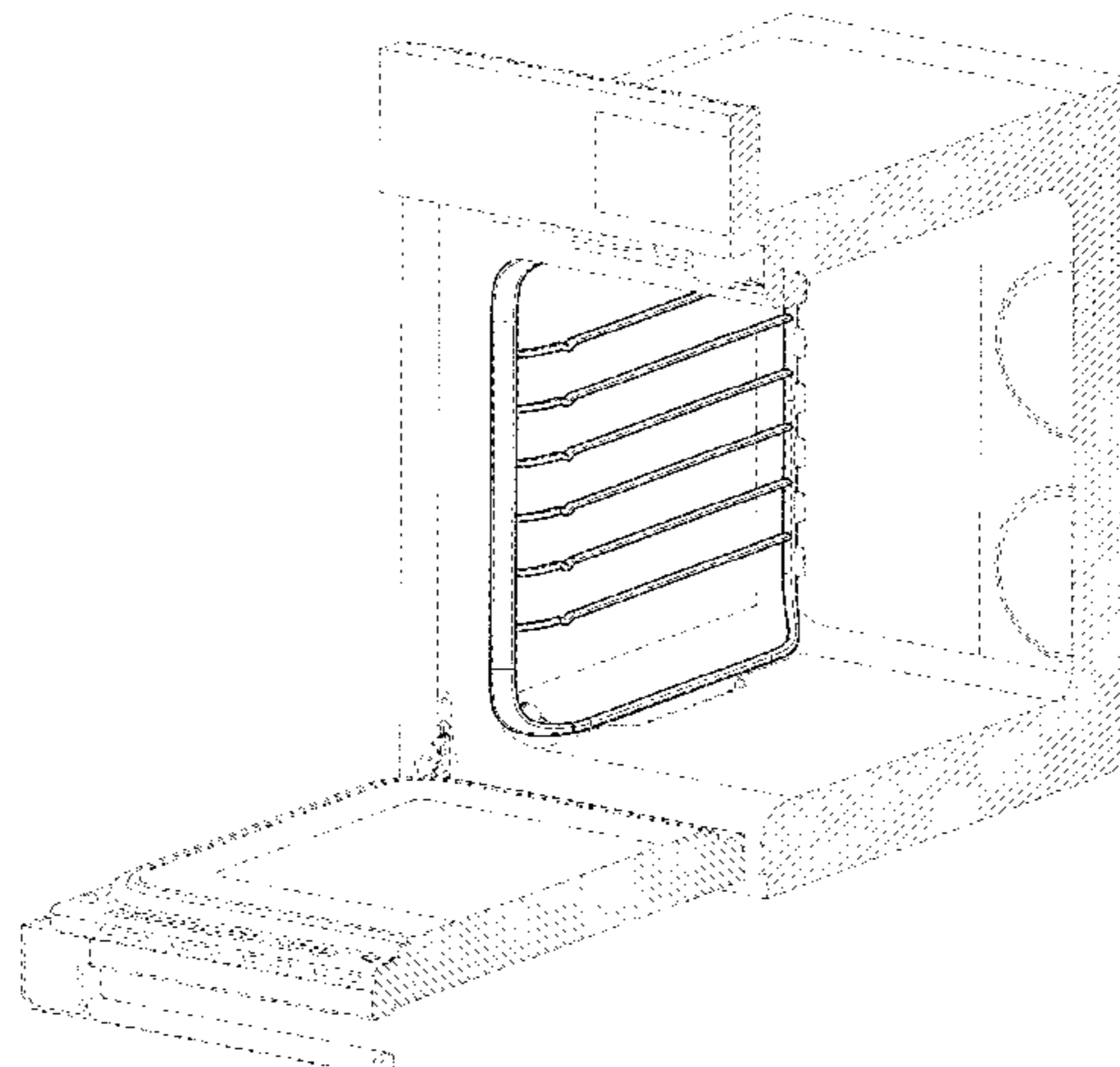
FIG. 11 is a bottom perspective view of FIG. 8;

FIG. 12 is an enlarged view of the rack portion of FIG. 8; and,

FIG. 13 is a bottom perspective view of the rack portion of FIG. 12.

The broken lines in the figures show portions of the oven which form no part of the claimed design.

1 Claim, 13 Drawing Sheets



(56)

References Cited

U.S. PATENT DOCUMENTS

6,148,813 A * 11/2000 Barnes A47B 88/487
126/339
D510,839 S * 10/2005 Shin D7/409
7,703,453 B2 * 4/2010 Hughes F24C 15/16
123/332
D651,463 S * 1/2012 Baacke D7/406
D668,103 S * 10/2012 Cloutier D7/402
D699,073 S * 2/2014 Cheung D7/402
8,919,339 B2 * 12/2014 Mazzetti F24C 15/16
126/337 R

FOREIGN PATENT DOCUMENTS

EM 000640404-0042 2/2007
KR 30-2010-0041324 6/2014

* cited by examiner

FIG. 1

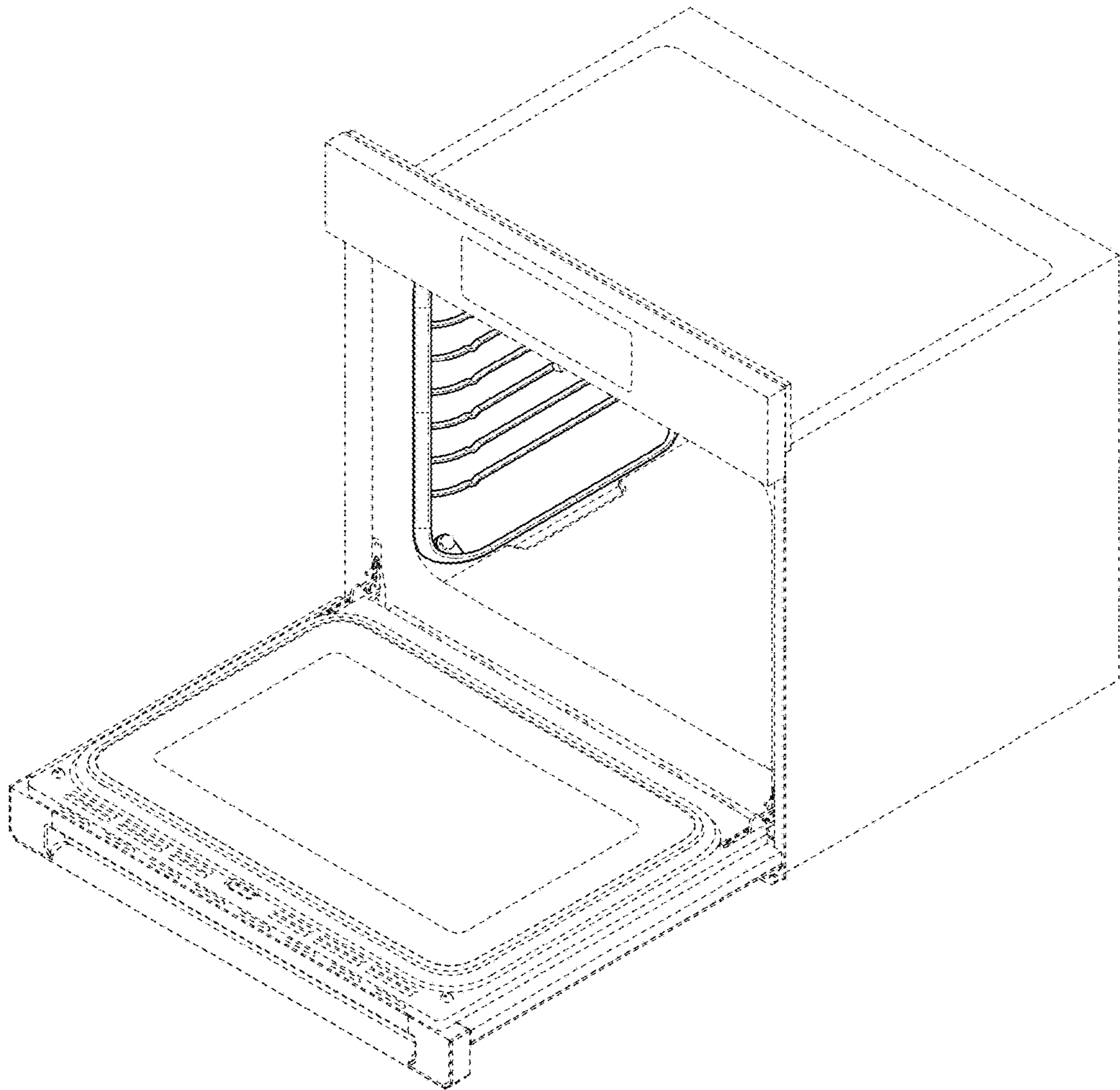


FIG. 2

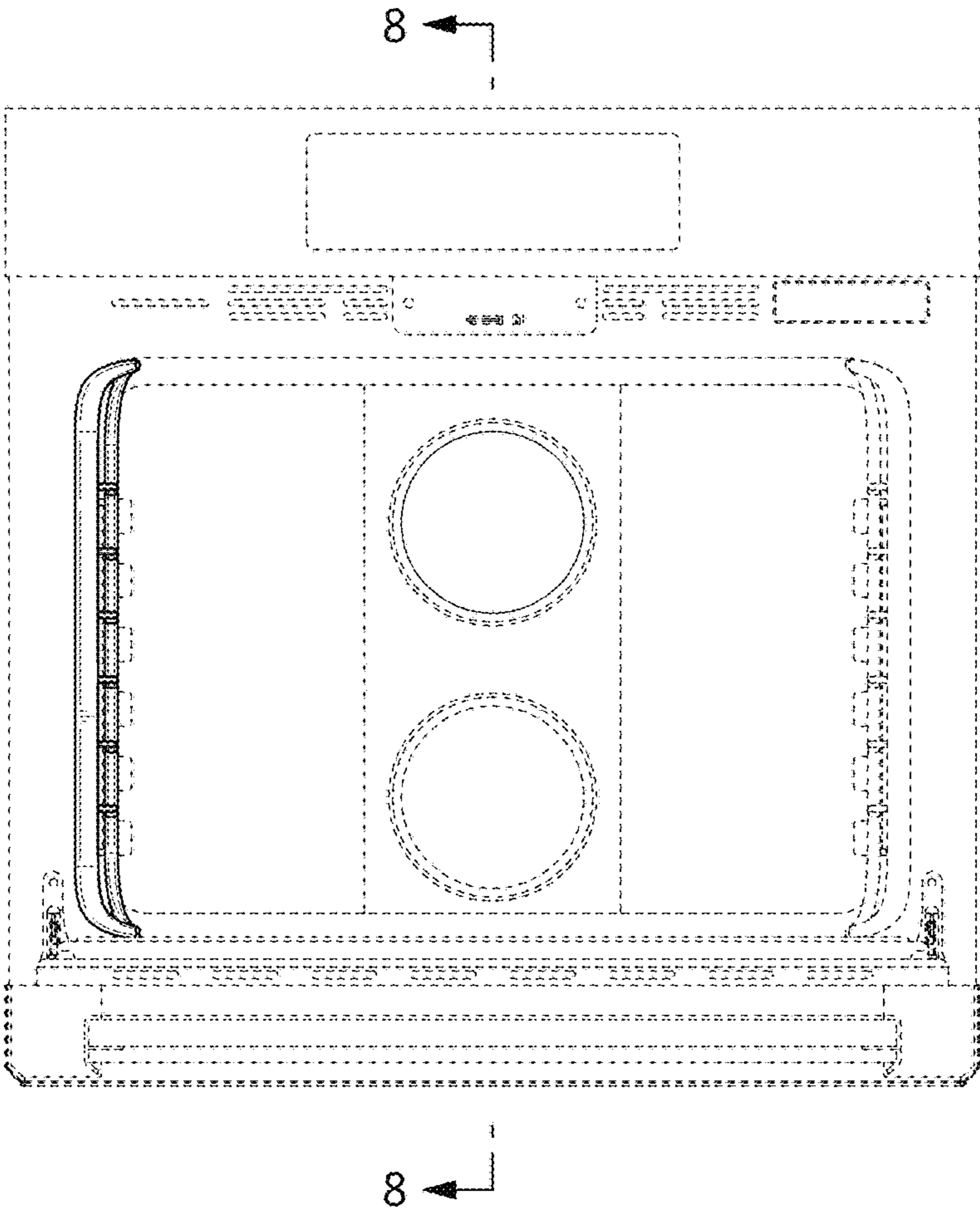


FIG. 3

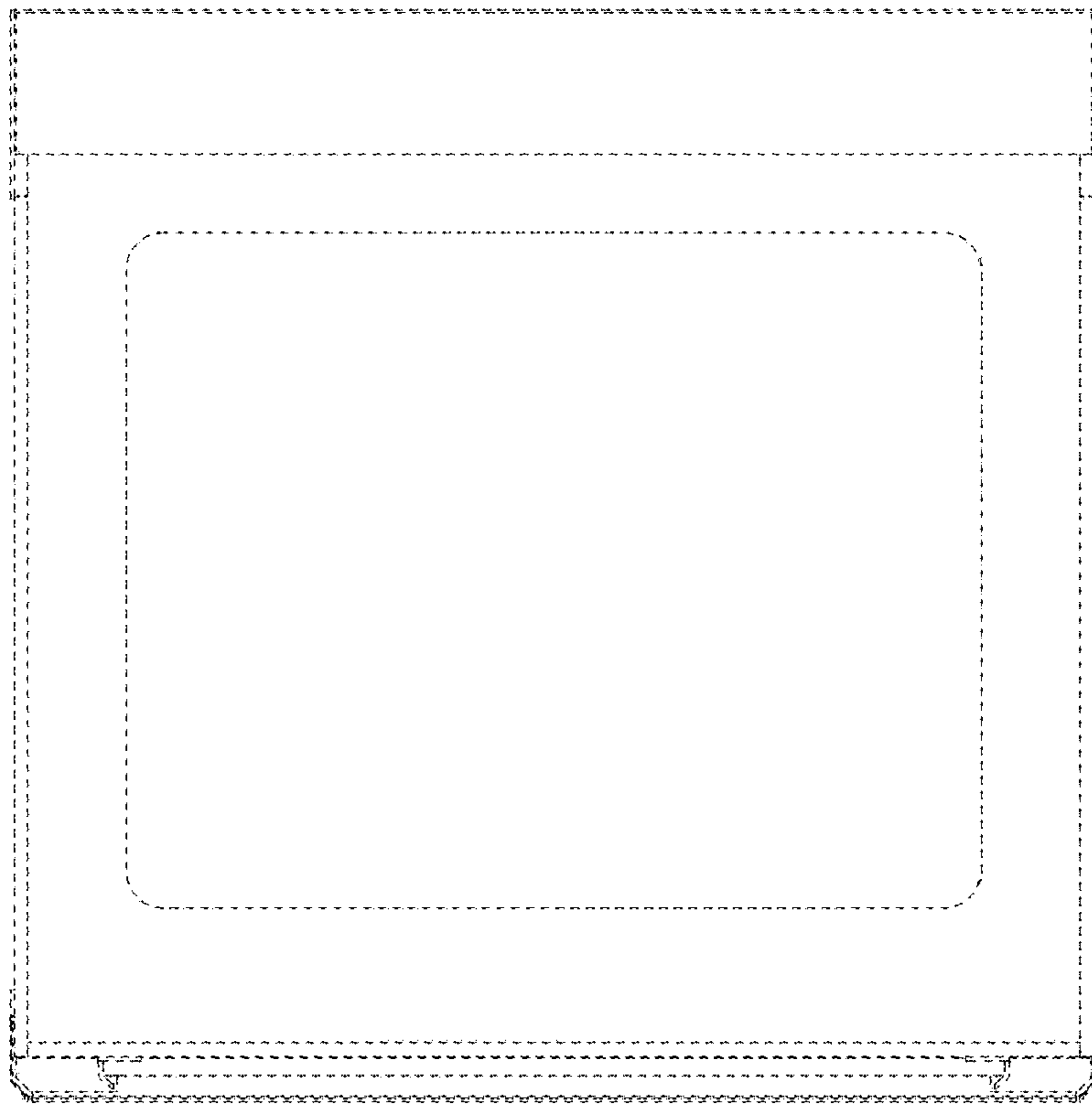


FIG. 4

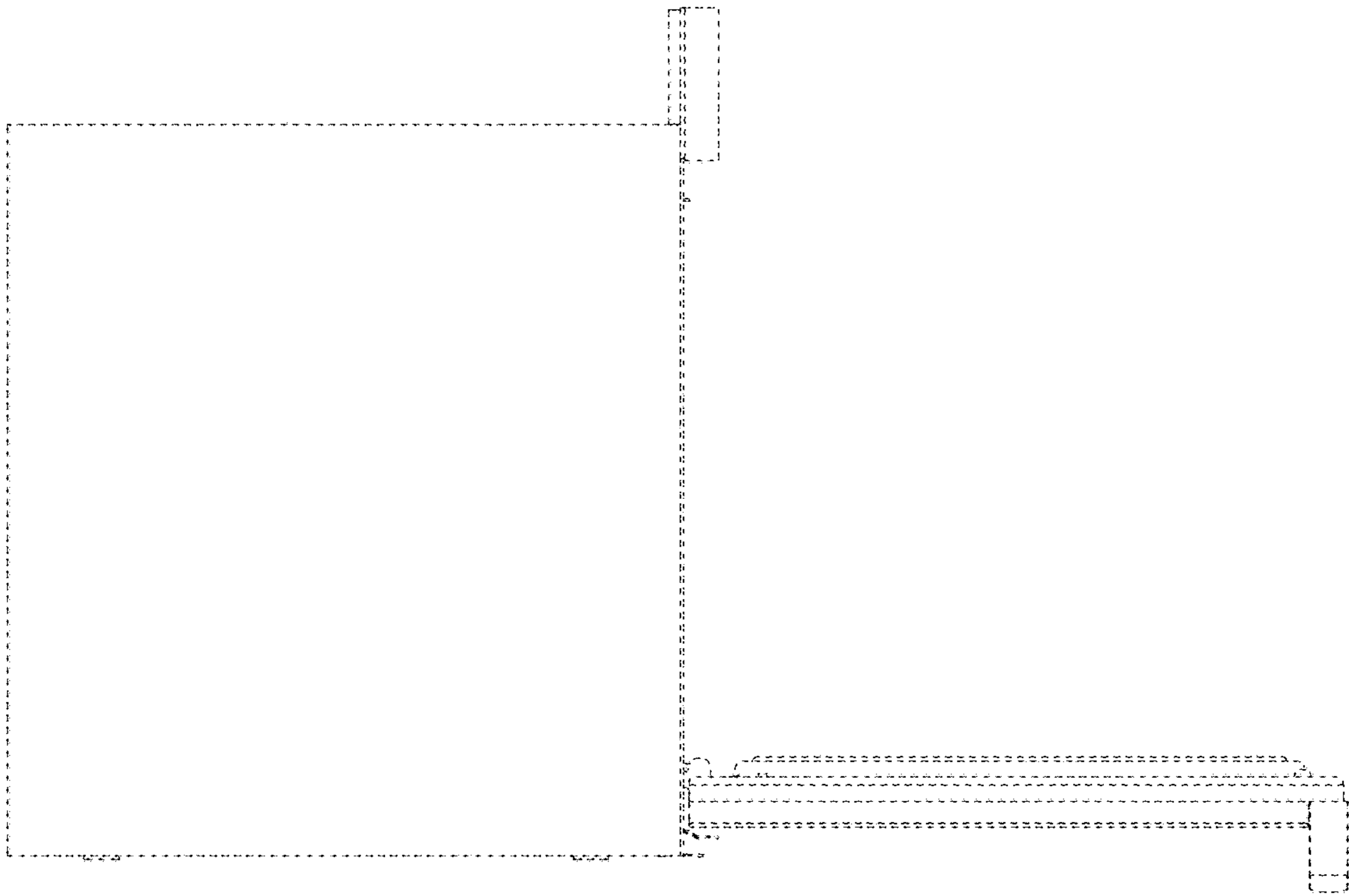


FIG. 5

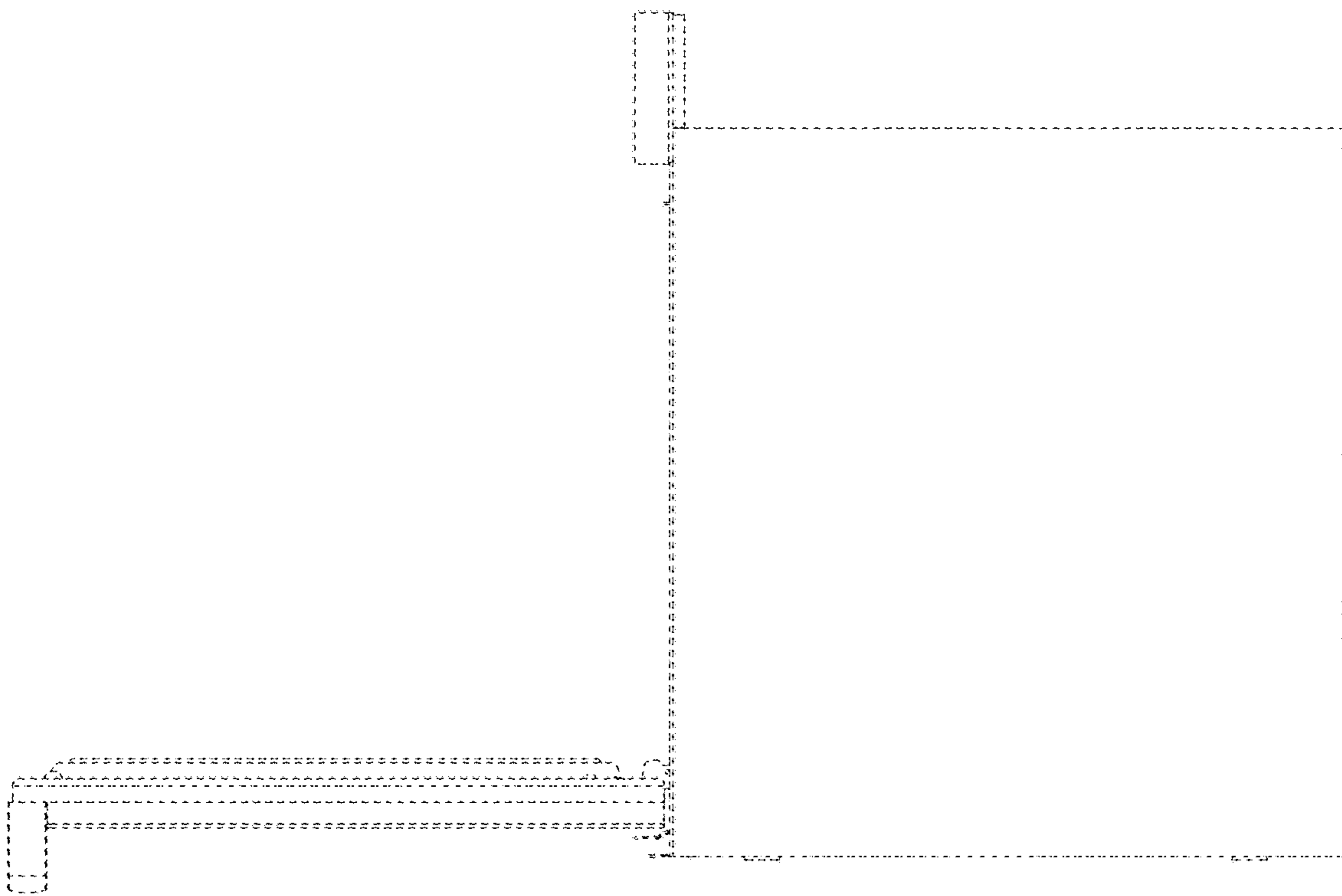


FIG. 6

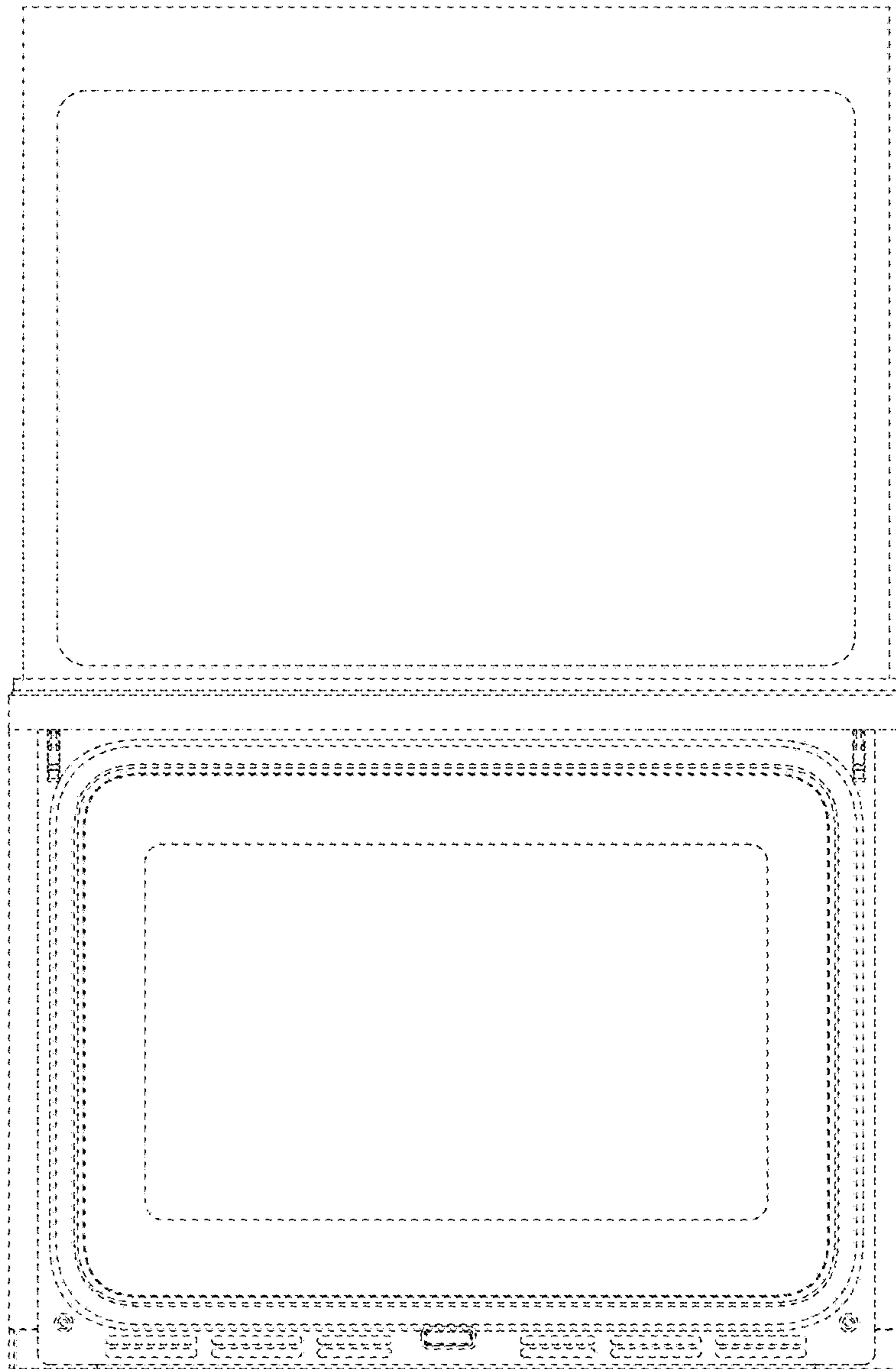


FIG. 7

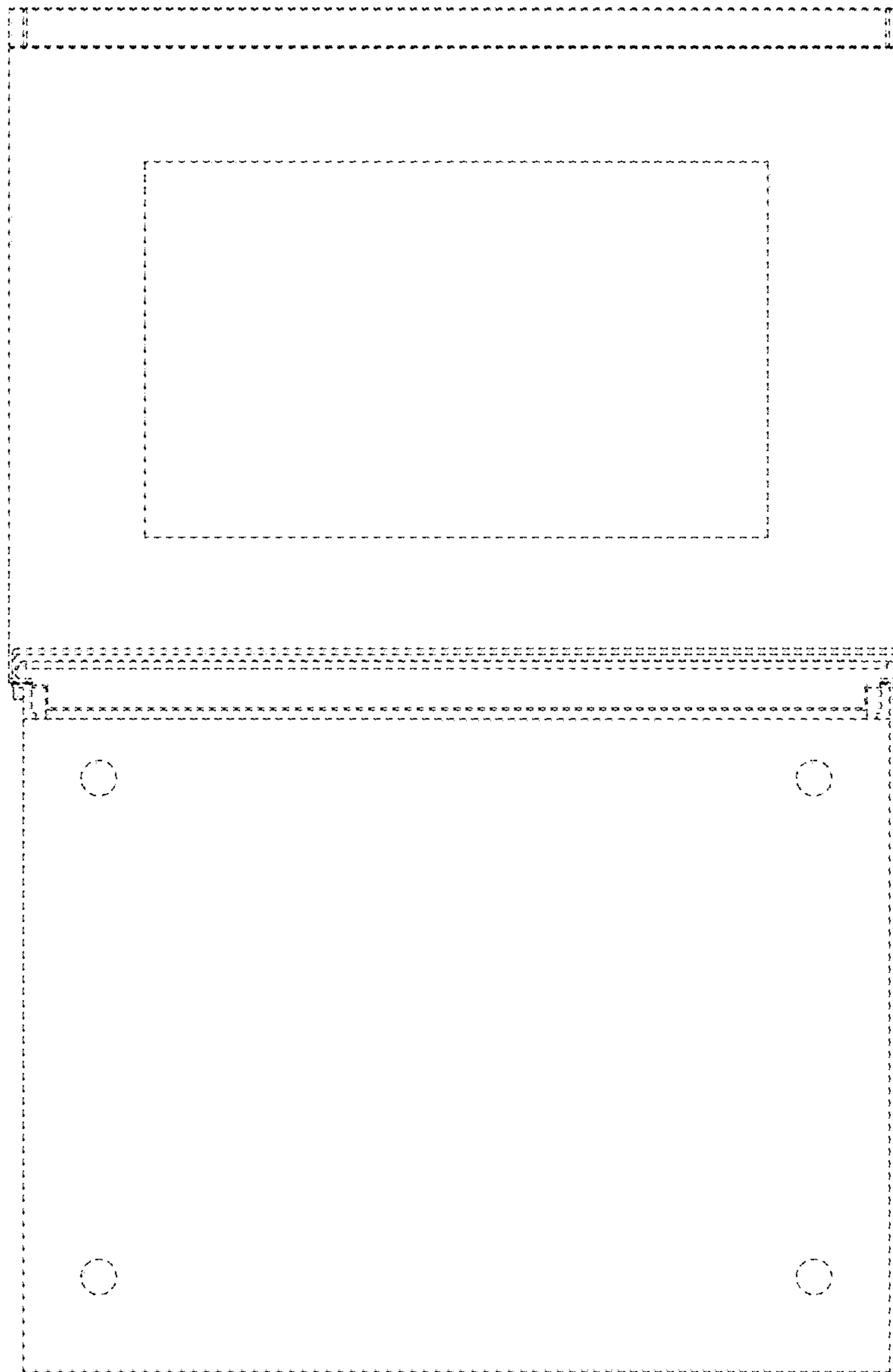


FIG. 8

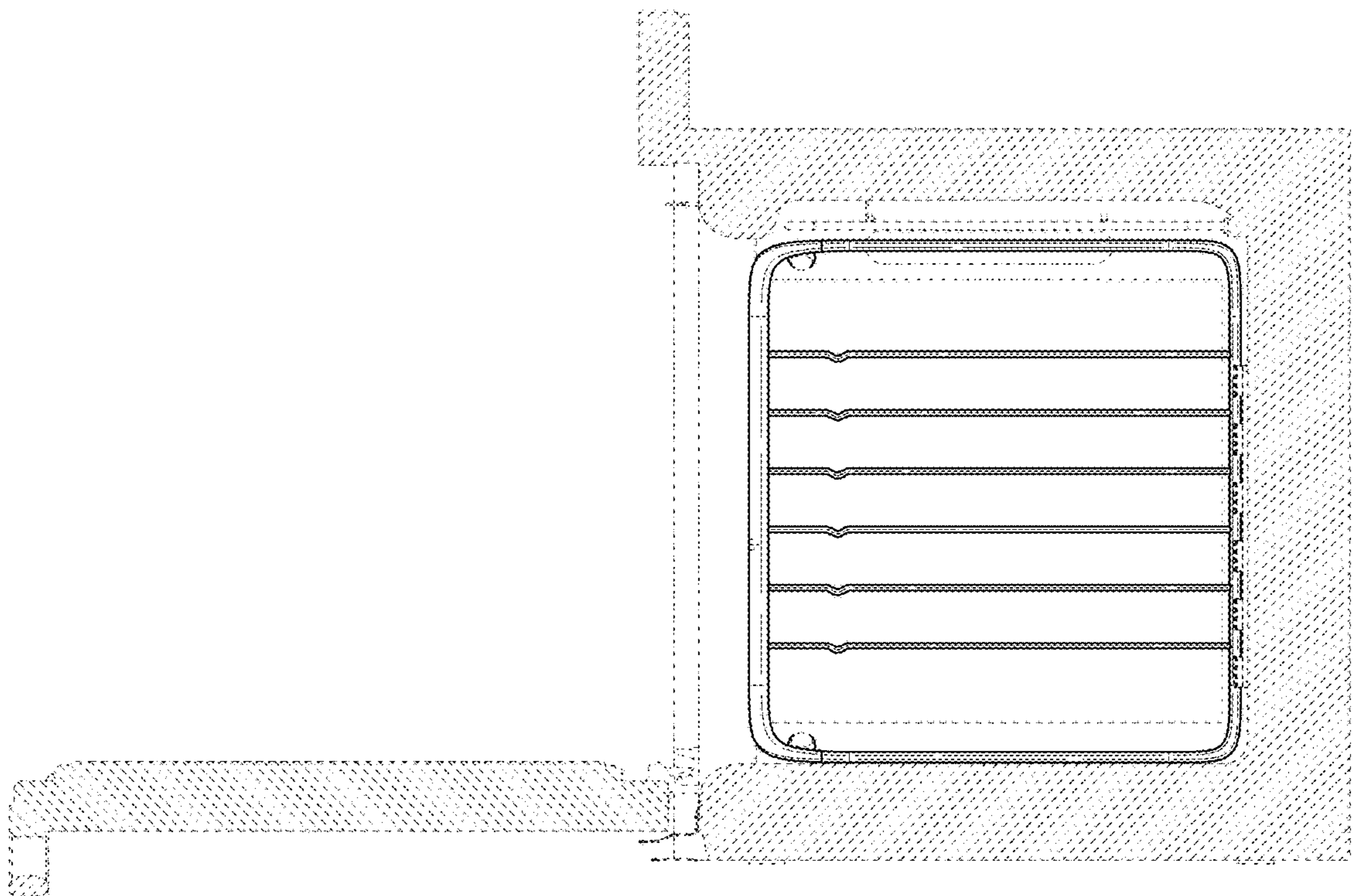


FIG. 9

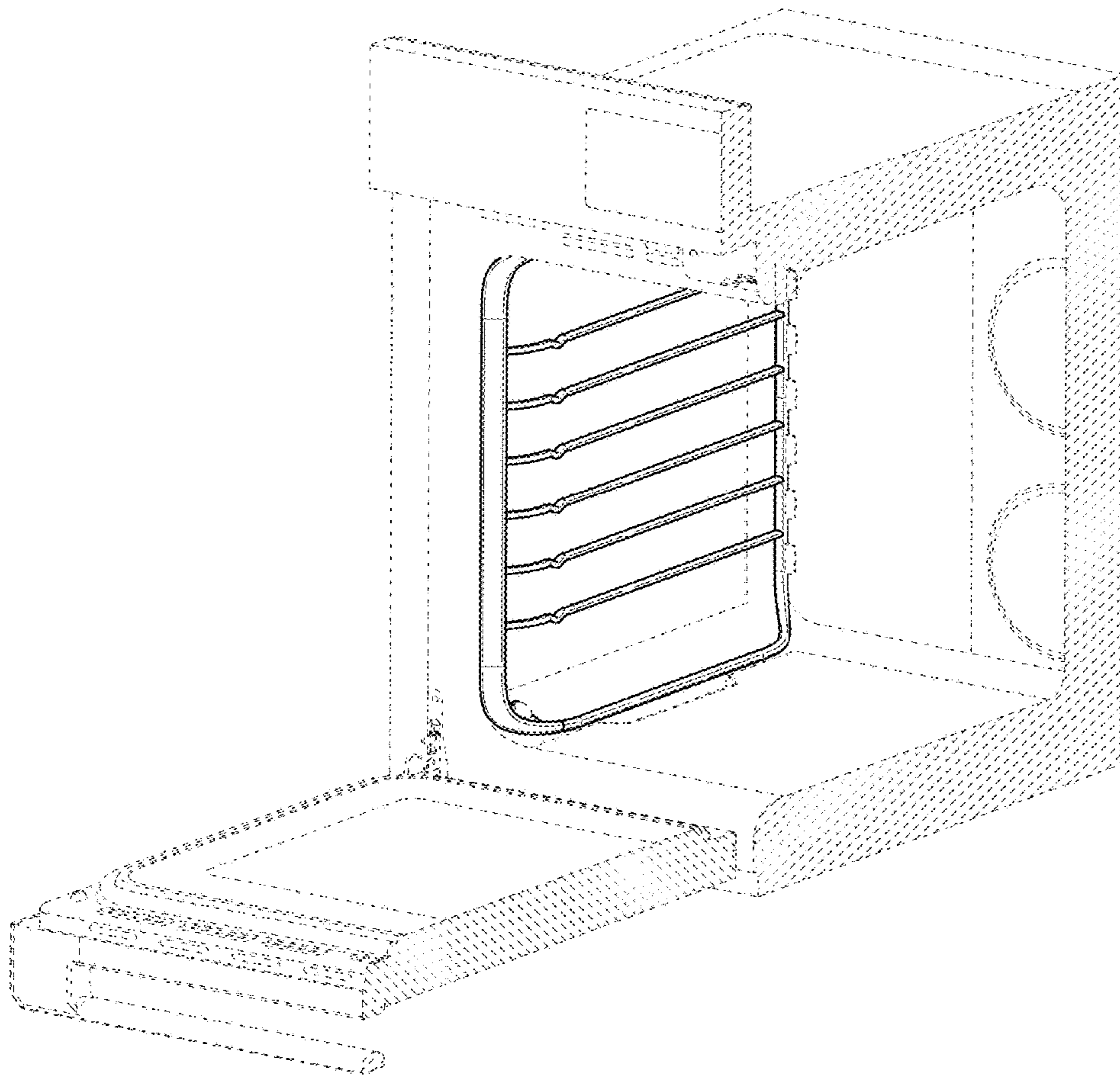


FIG. 10

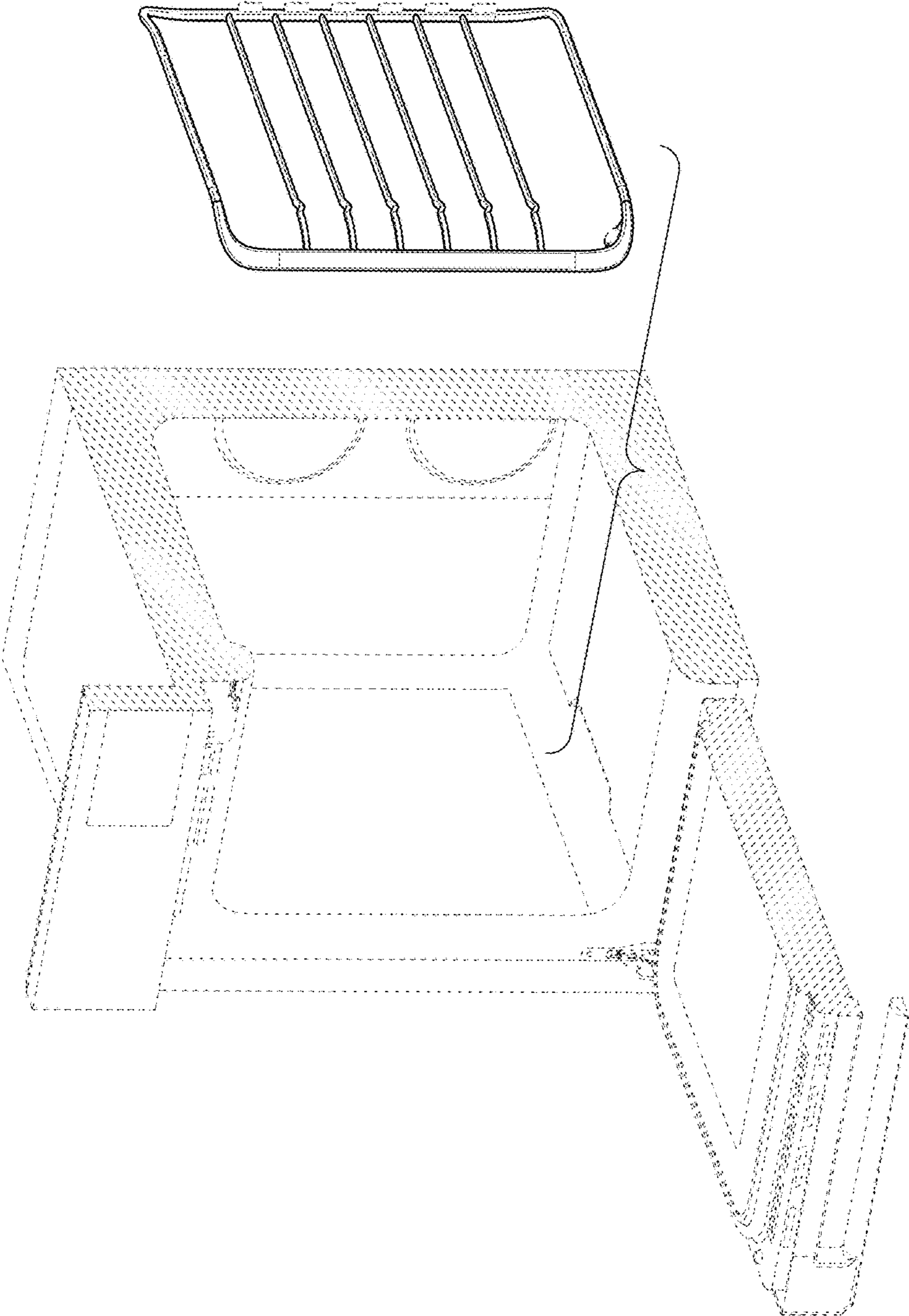


FIG. 11

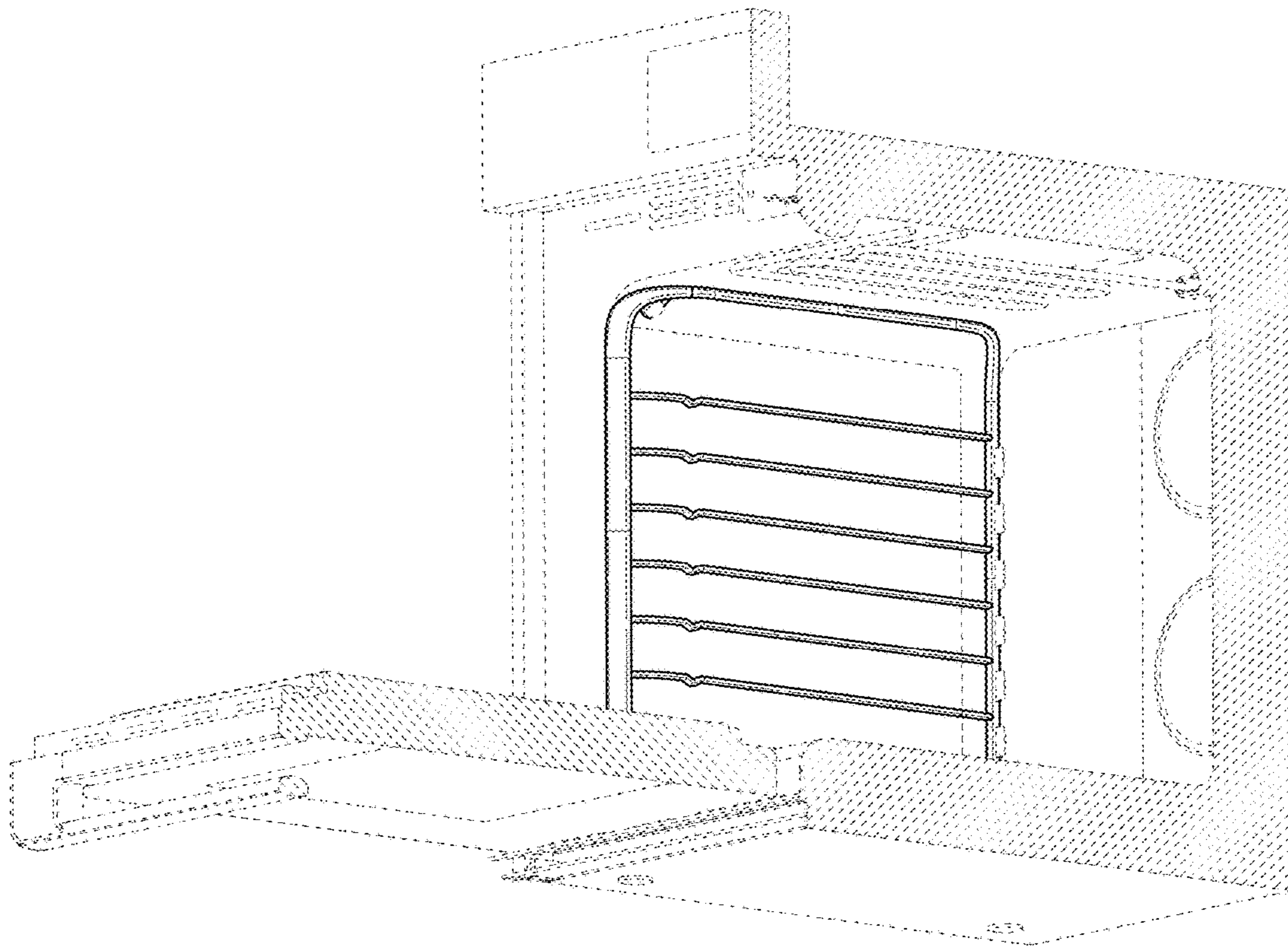


FIG. 12

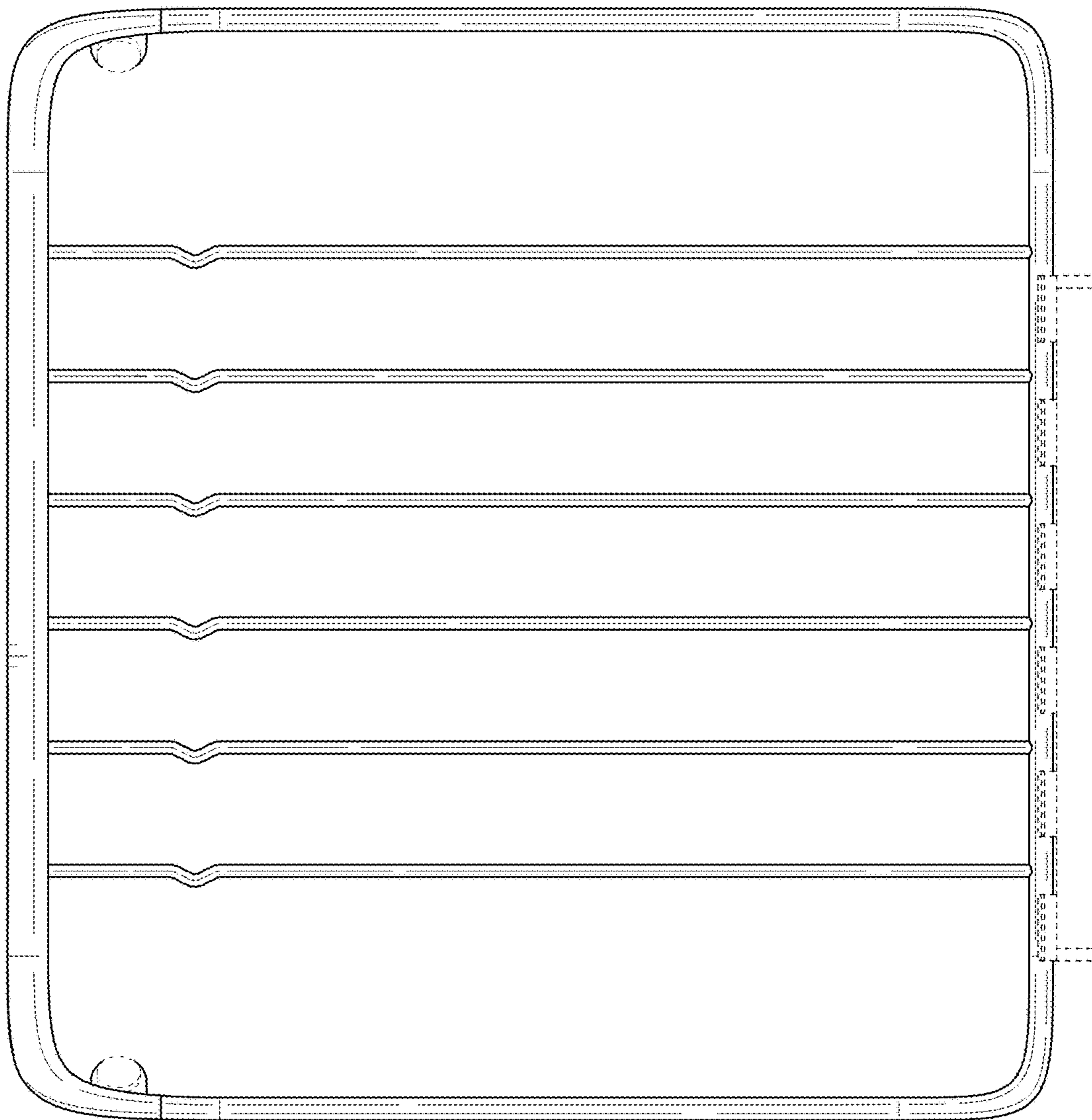


FIG. 13

