



US00D862166S

(12) **United States Design Patent** (10) **Patent No.:** **US D862,166 S**
Jo et al. (45) **Date of Patent:** **** Oct. 8, 2019**

(54) **DOOR FOR BUILT-IN OVEN RANGE**

D787,254 S * 5/2017 Cho D7/339
D788,512 S * 6/2017 Kim D7/323
D788,513 S * 6/2017 Chung D7/323
D794,998 S * 8/2017 Cho D7/340

(71) Applicant: **LG ELECTRONICS INC.**, Seoul (KR)

(Continued)

(72) Inventors: **Yuna Jo**, Seoul (KR); **Sangwoo Kim**, Seoul (KR); **Sooyeon Kim**, Seoul (KR); **Yoonji Lee**, Seoul (KR); **Hangbok Lee**, Seoul (KR); **Jaemyung Lim**, Seoul (KR); **Hanjin Jung**, Seoul (KR); **Sangwoog Cho**, Seoul (KR)

Primary Examiner — Michael A. Pratt

(74) *Attorney, Agent, or Firm* — Birch, Stewart, Kolasch & Birch, LLP

(73) Assignee: **LG ELECTRONICS INC.**, Seoul (KR)

(57) **CLAIM**

The ornamental design for a door for built-in oven range, as shown and described.

(**) Term: **15 Years**

DESCRIPTION

(21) Appl. No.: **35/505,342**

(22) Filed: **Jan. 19, 2018**

(80) **Hague Agreement Data**

Int. Filing Date: **Jan. 19, 2018**
Int. Reg. No.: **DM/099514**
Int. Reg. Date: **Jan. 19, 2018**
Int. Reg. Pub. Date: **Jul. 20, 2018**

1.1-1.8. Door for built-in oven range
1.1 : Perspective
1.2 : Front
1.3 : Back
1.4 : Left
1.5 : Top
1.6 : Bottom
1.7 : Perspective view 2
1.8 : Reference view

(30) **Foreign Application Priority Data**

Jul. 21, 2017 (KR) 30-2017-0033742

(51) **LOC (12) Cl.** **07-02**

(52) **U.S. Cl.**
USPC **D7/405**

(58) **Field of Classification Search**
USPC D7/405, 346-349
CPC H05B 1/0263; H05B 3/0071; F24C 15/02; F24C 3/027; F24C 15/022; F24C 15/028
See application file for complete search history.

Reproduction 1.1 is a front perspective view of the door for built-in oven range; reproduction 1.2 is a front view thereof; reproduction 1.3 is a back view thereof; reproduction 1.4 is a left view thereof where the right view is a mirror image; reproduction 1.5 is a top view thereof; reproduction 1.6 is a bottom view thereof; reproduction 1.7 is a back perspective view thereof; and reproduction 1.8 is a reference view in which the claimed design is shown in a broken line environment. The environment forms no part of the claimed design. This design is for a door for built-in oven range with a vent chamber at the front topmost part which can be used as a handle; at the rear top part of the claimed design, there is a pocket.

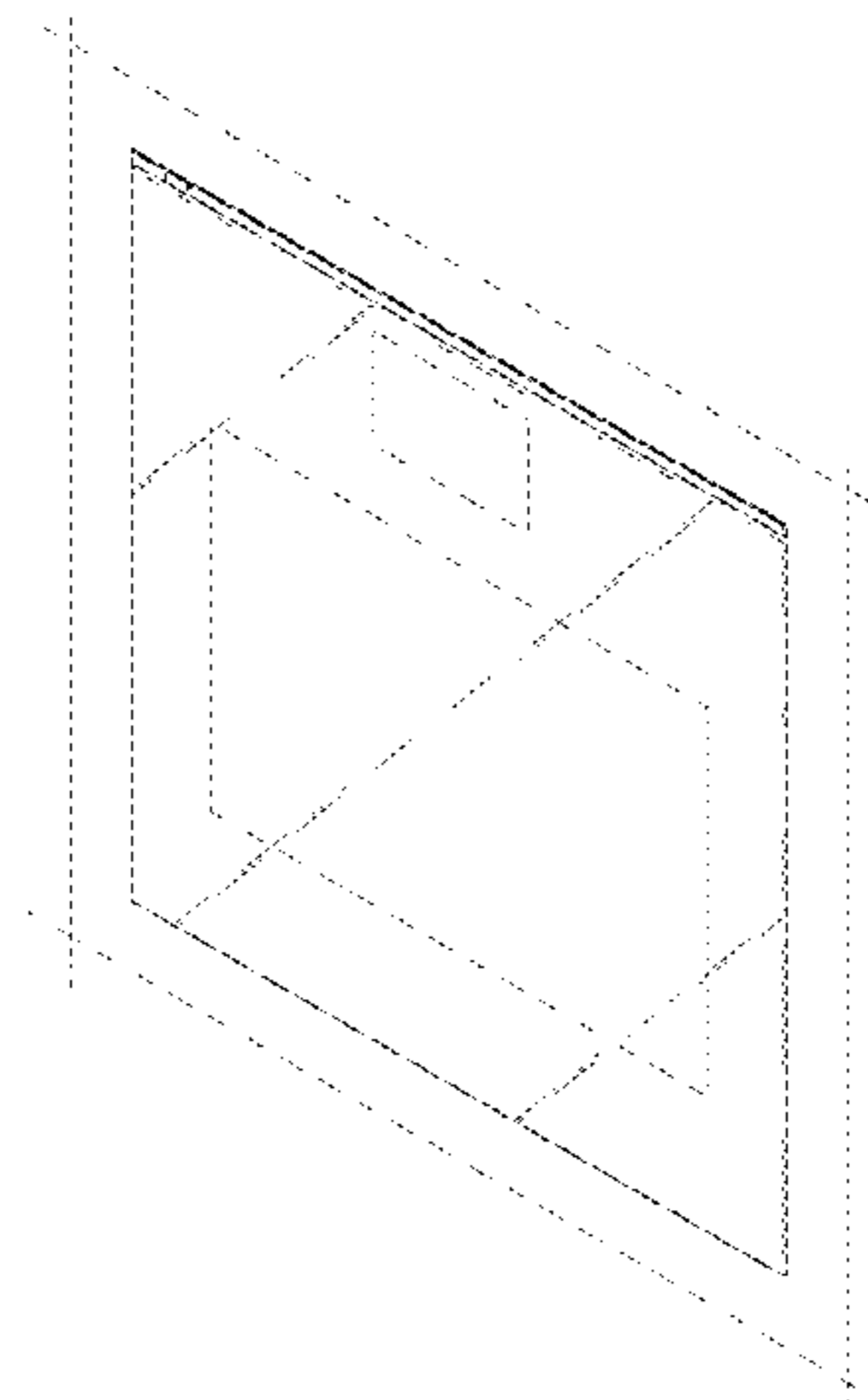
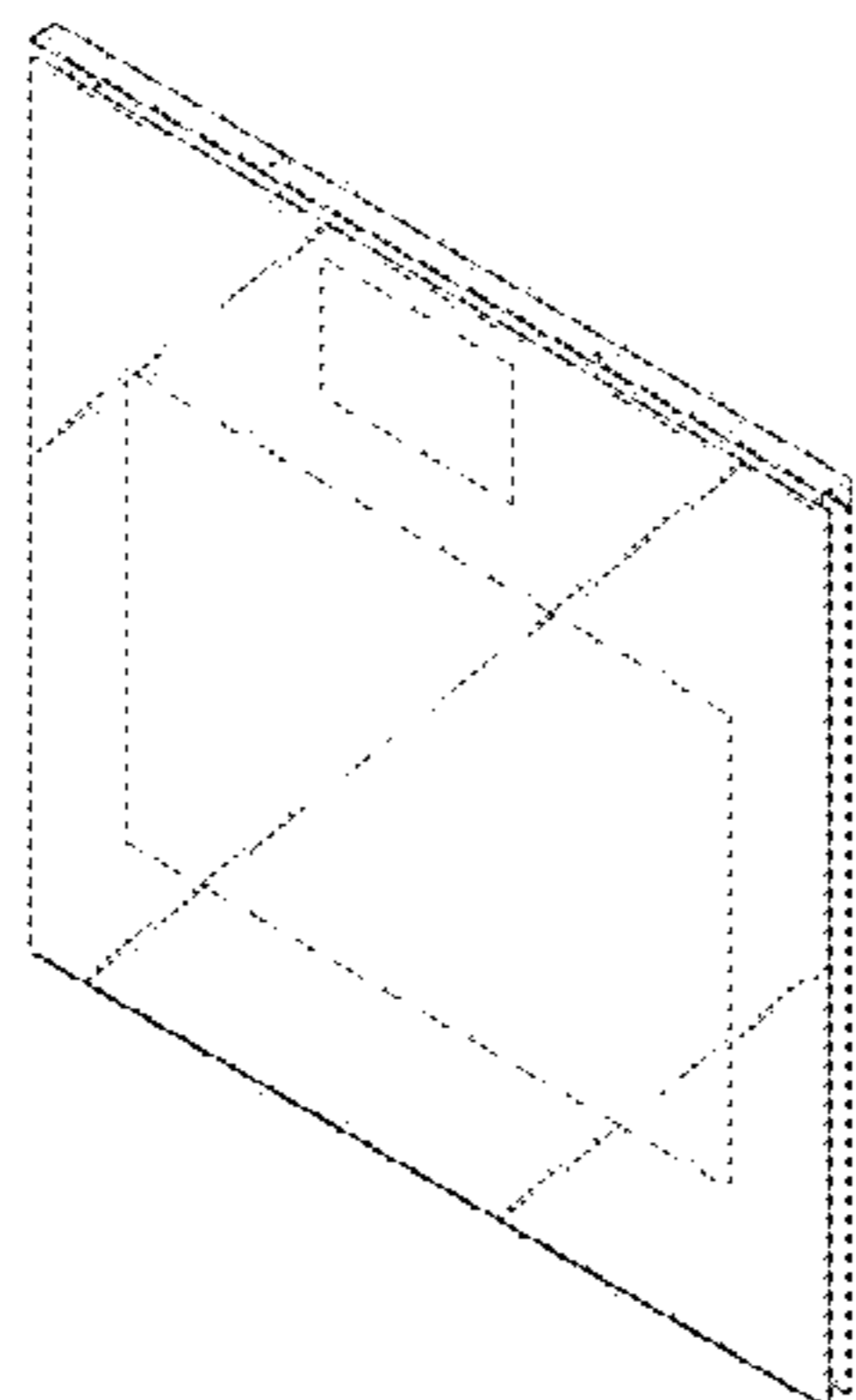
(56) **References Cited**

U.S. PATENT DOCUMENTS

D710,644 S * 8/2014 Kim D7/340
D784,758 S * 4/2017 Cho D7/406

Reproduction 1.7 is a references in which the claimed design is shown in a broken line environment. The environment not forming a part of the claimed design.

1 Claim, 8 Drawing Sheets



(56)

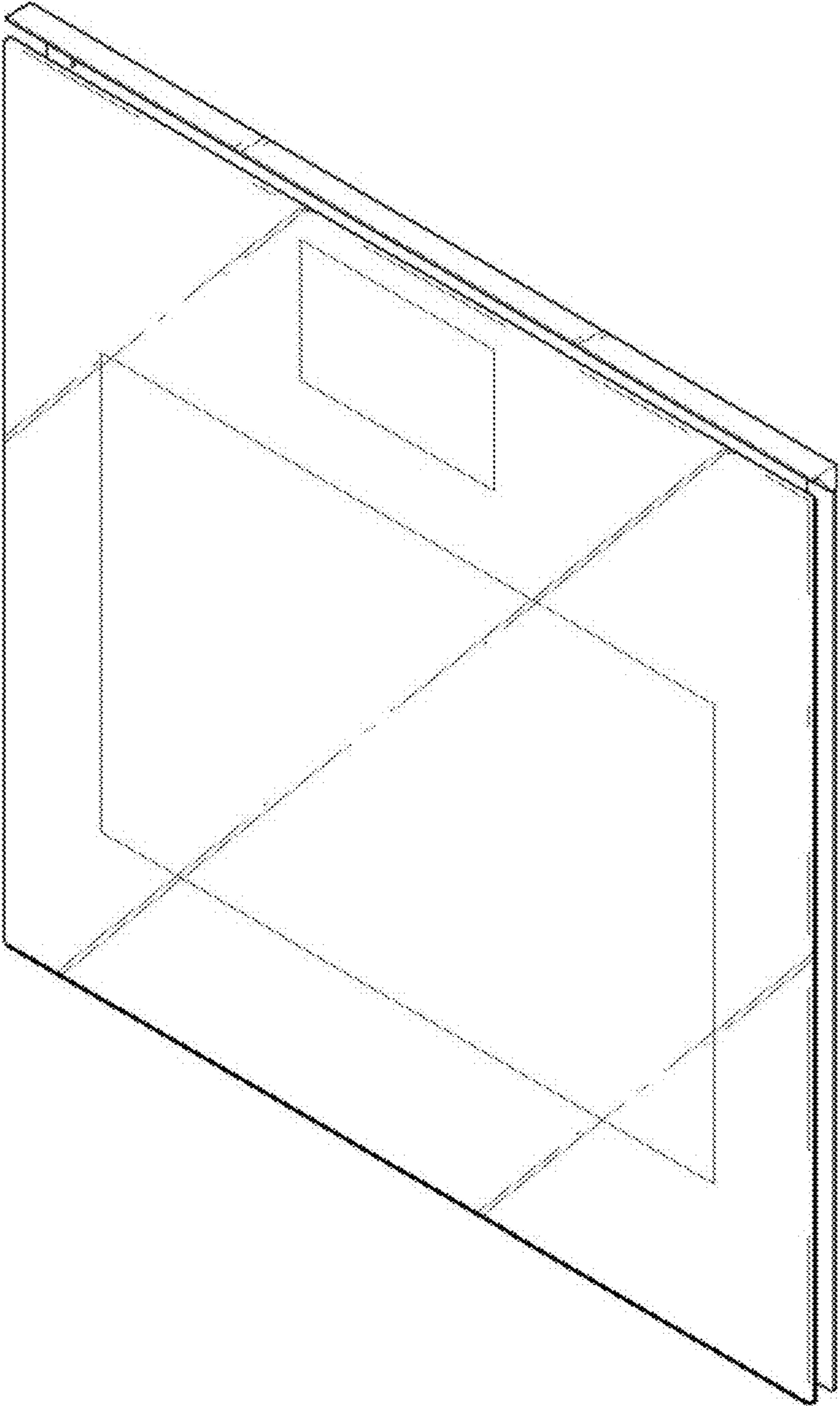
References Cited

U.S. PATENT DOCUMENTS

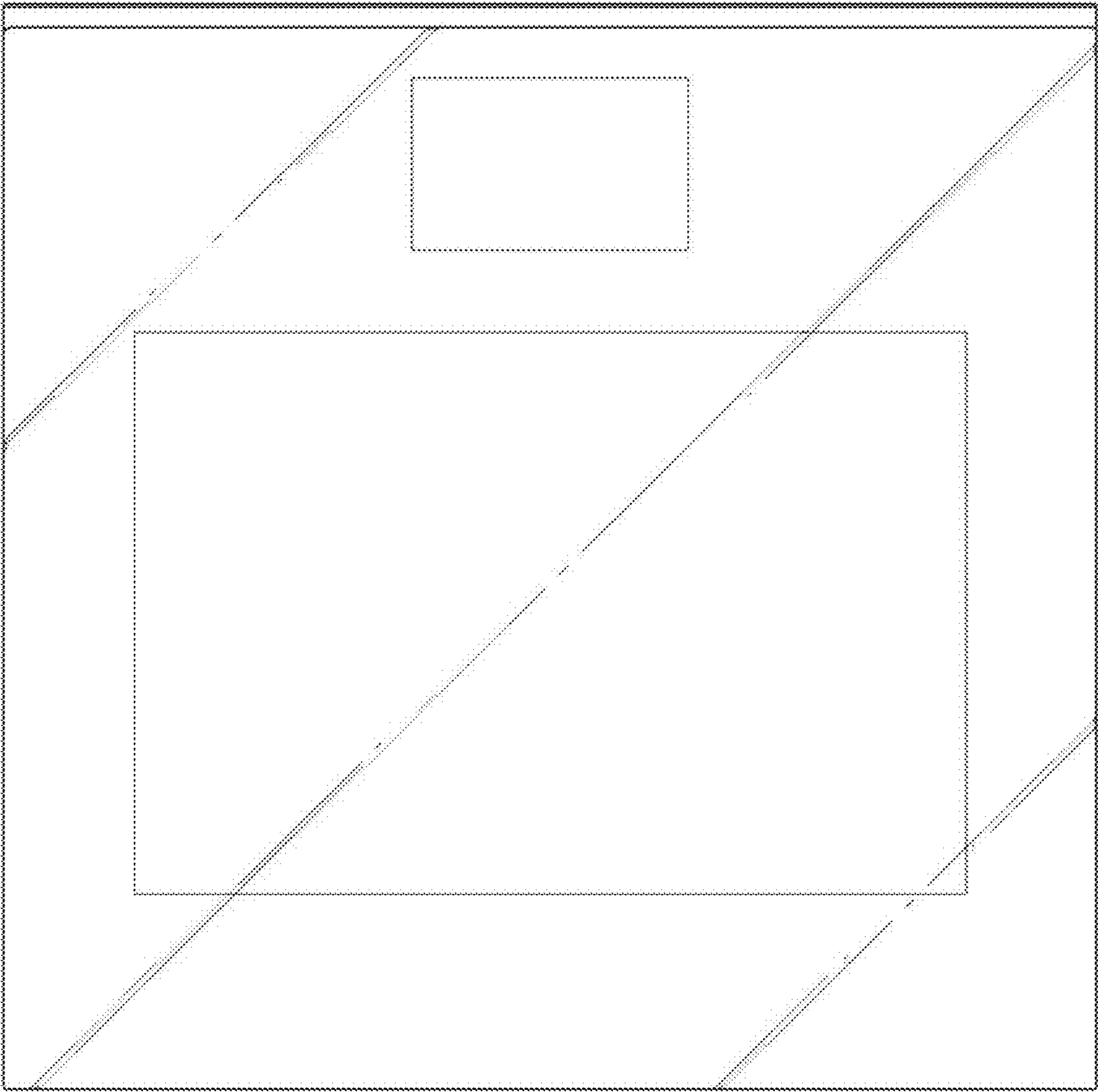
D805,832 S * 12/2017 Kim D7/340
2011/0273375 A1* 11/2011 Wilford H03K 17/962
345/173
2012/0074121 A1* 3/2012 Gagas A47J 36/2483
219/385

* cited by examiner

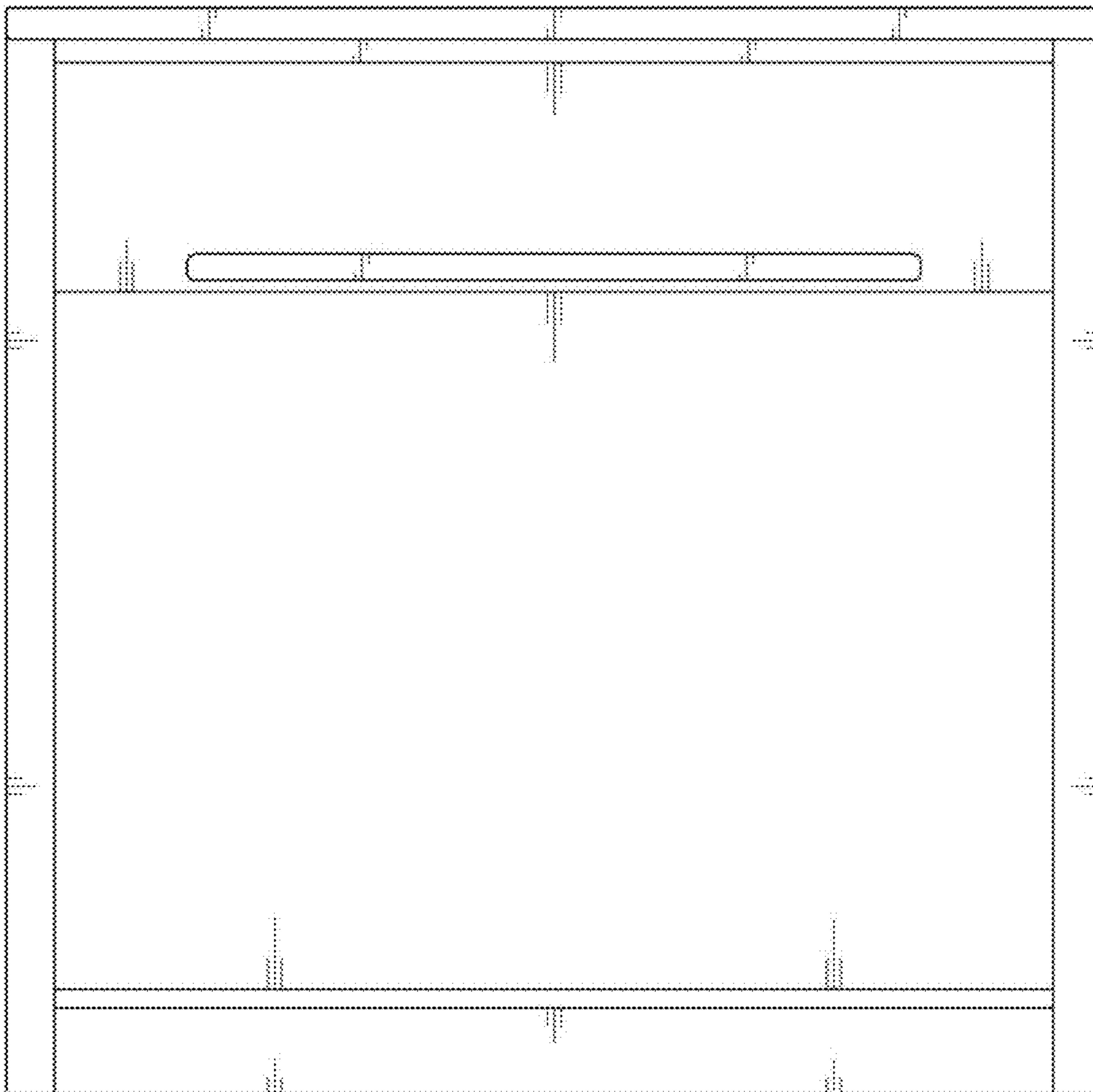
1.1



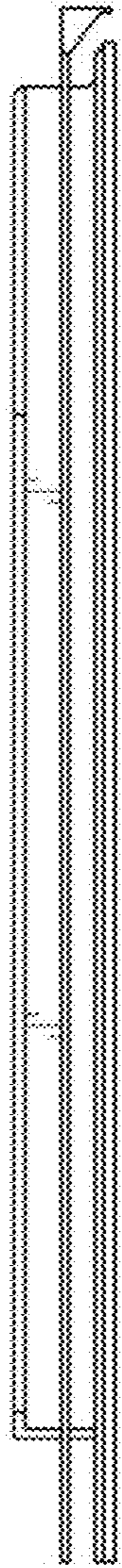
1.2



1.3



1.4



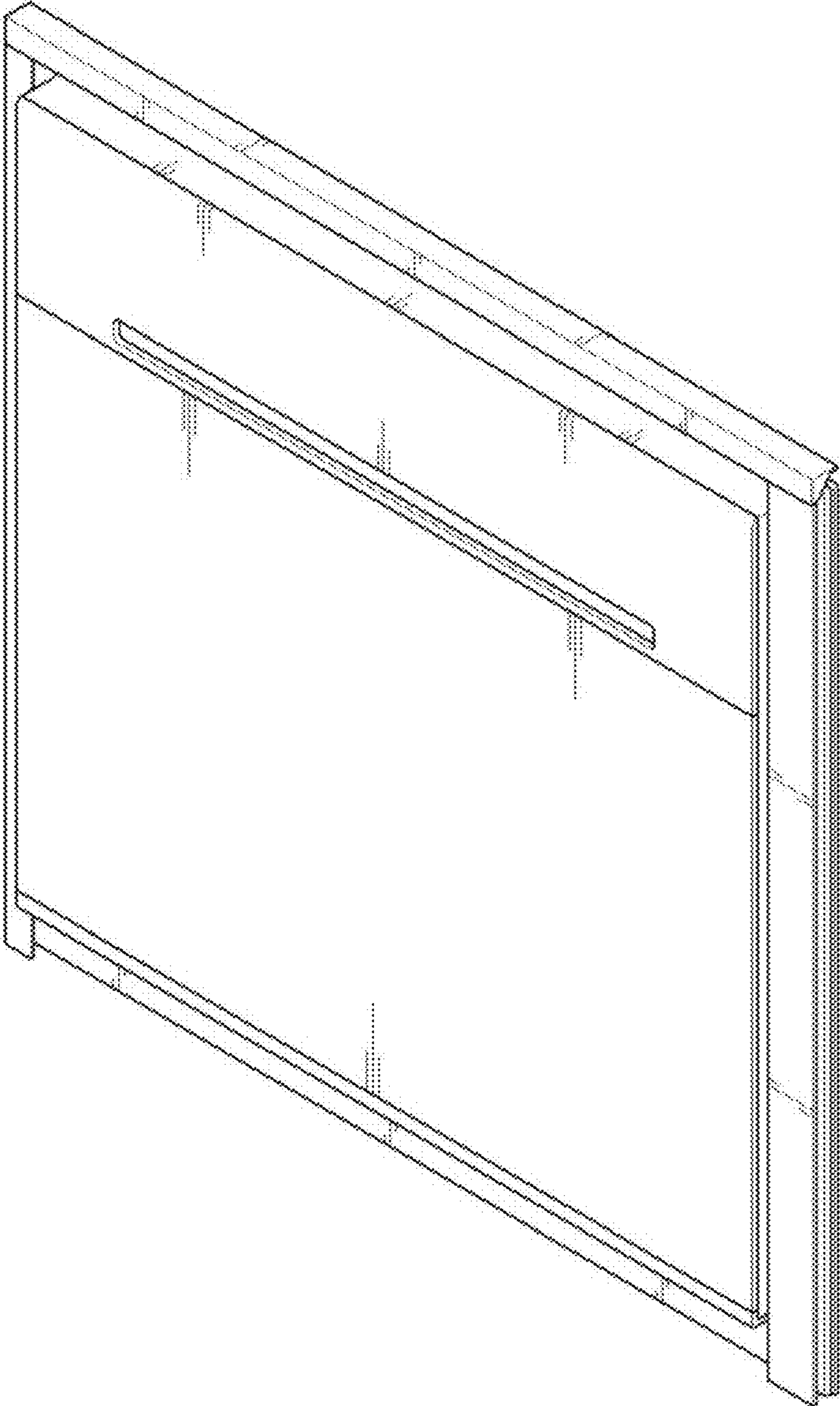
1.5



1.6



1.7



1.8

