



US00D862165S

(12) **United States Design Patent** (10) **Patent No.:** **US D862,165 S**  
**Jung et al.** (45) **Date of Patent:** **\*\* Oct. 8, 2019**

(54) **DOOR FOR BUILT-IN OVEN RANGE**  
(71) Applicant: **LG ELECTRONICS INC.,** Seoul (KR)  
(72) Inventors: **Hanjin Jung,** Seoul (KR); **Sangwoo Kim,** Seoul (KR); **Sooyeon Kim,** Seoul (KR); **Yoonji Lee,** Seoul (KR); **Hangbok Lee,** Seoul (KR); **Jaemyung Lim,** Seoul (KR); **Sangwoog Cho,** Seoul (KR); **Yuna Jo,** Seoul (KR)

D668,106 S \* 10/2012 Borjesson ..... D7/405  
D690,157 S \* 9/2013 Baacke ..... D7/405  
D690,158 S \* 9/2013 Baek ..... D7/405  
D736,033 S \* 8/2015 Baacke ..... D7/405  
D772,639 S \* 11/2016 Kim ..... D7/351  
D784,065 S \* 4/2017 Goss ..... D7/349  
D784,751 S \* 4/2017 Funnell, II ..... D7/348

(Continued)

*Primary Examiner* — Michael A. Pratt  
(74) *Attorney, Agent, or Firm* — Birch, Stewart, Kolasch & Birch, LLP

(73) Assignee: **LG Electronics Inc.,** Seoul (KR)  
(\*\*) Term: **15 Years**

(57) **CLAIM**

The ornamental design for a door for built-in oven range, as shown and described.

(21) Appl. No.: **35/505,337**

(22) Filed: **Jan. 19, 2018**

**DESCRIPTION**

(80) **Hague Agreement Data**

Int. Filing Date: **Jan. 19, 2018**  
Int. Reg. No.: **DM/099527**  
Int. Reg. Date: **Jan. 19, 2018**  
Int. Reg. Pub. Date: **Jul. 20, 2018**

- 1. Door for built-in oven range
- 1.1 : Perspective
- 1.2 : Front
- 1.3 : Back
- 1.4 : Left
- 1.5 : Top
- 1.6 : Bottom
- 1.7 : Perspective view 2
- 1.8 : Reference view

(30) **Foreign Application Priority Data**

Jul. 21, 2017 (KR) ..... 30-2017-0033743

The broken lines depict portions of the door for built-in oven range that form no part of the claimed design; reproduction 1.1 is a front perspective view of the door for built-in oven range; reproduction 1.2 is a front view thereof; reproduction 1.3 is a back view thereof; reproduction 1.4 is a left view thereof where the right view is a mirror image; reproduction 1.5 is a top view thereof; reproduction 1.6 is a bottom view thereof; reproduction 1.7 is a back perspective view thereof; reproduction 1.8 is a reference view in which the claimed design is installed on a wall, a part of the claimed design; this design is for a door for built-in oven range with a vent chamber at the front topmost part which can be used as a handle.

(51) **LOC (12) Cl.** ..... **07-02**

(52) **U.S. Cl.**  
USPC ..... **D7/405**

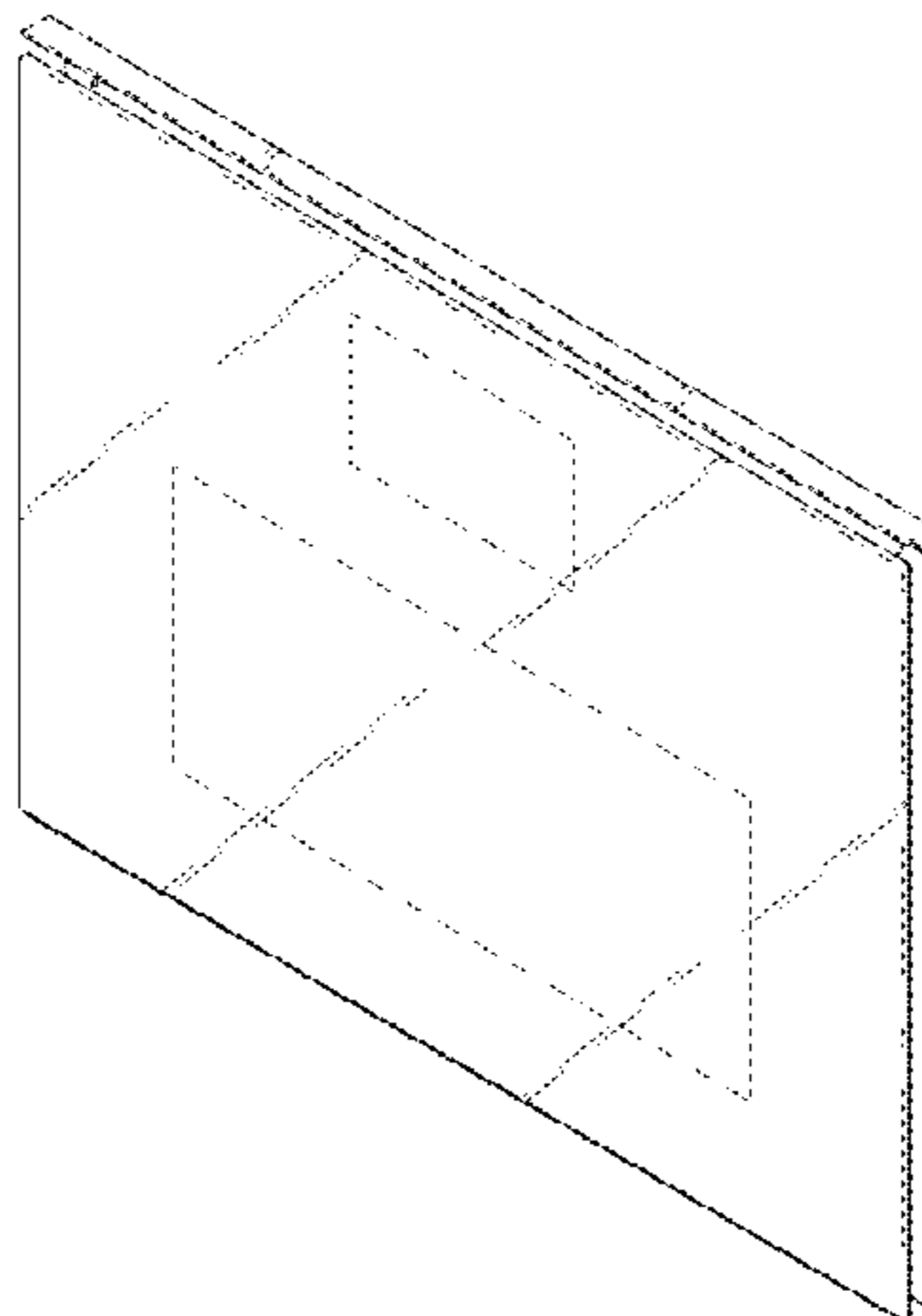
(58) **Field of Classification Search**  
USPC ..... D7/402-405  
CPC .... A47J 31/4403; A47J 31/44; A47J 31/0663;  
A47J 31/42; A47J 2201/00; A47J 31/0657  
See application file for complete search history.

(56) **References Cited**

**U.S. PATENT DOCUMENTS**

D651,460 S \* 1/2012 Sadtler ..... D7/405  
D665,625 S \* 8/2012 Sadtler ..... D7/405

**1 Claim, 8 Drawing Sheets**



(56)

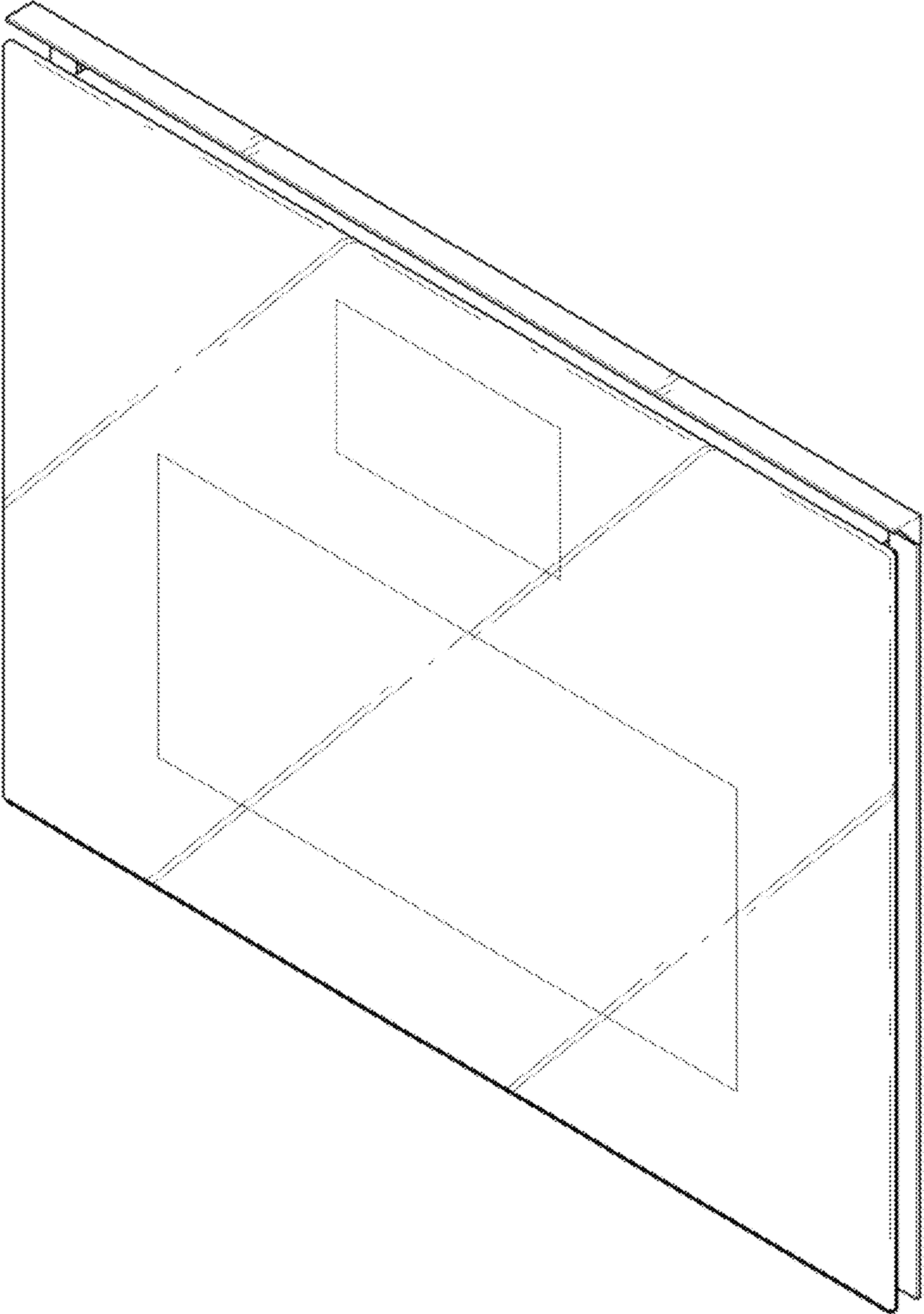
**References Cited**

U.S. PATENT DOCUMENTS

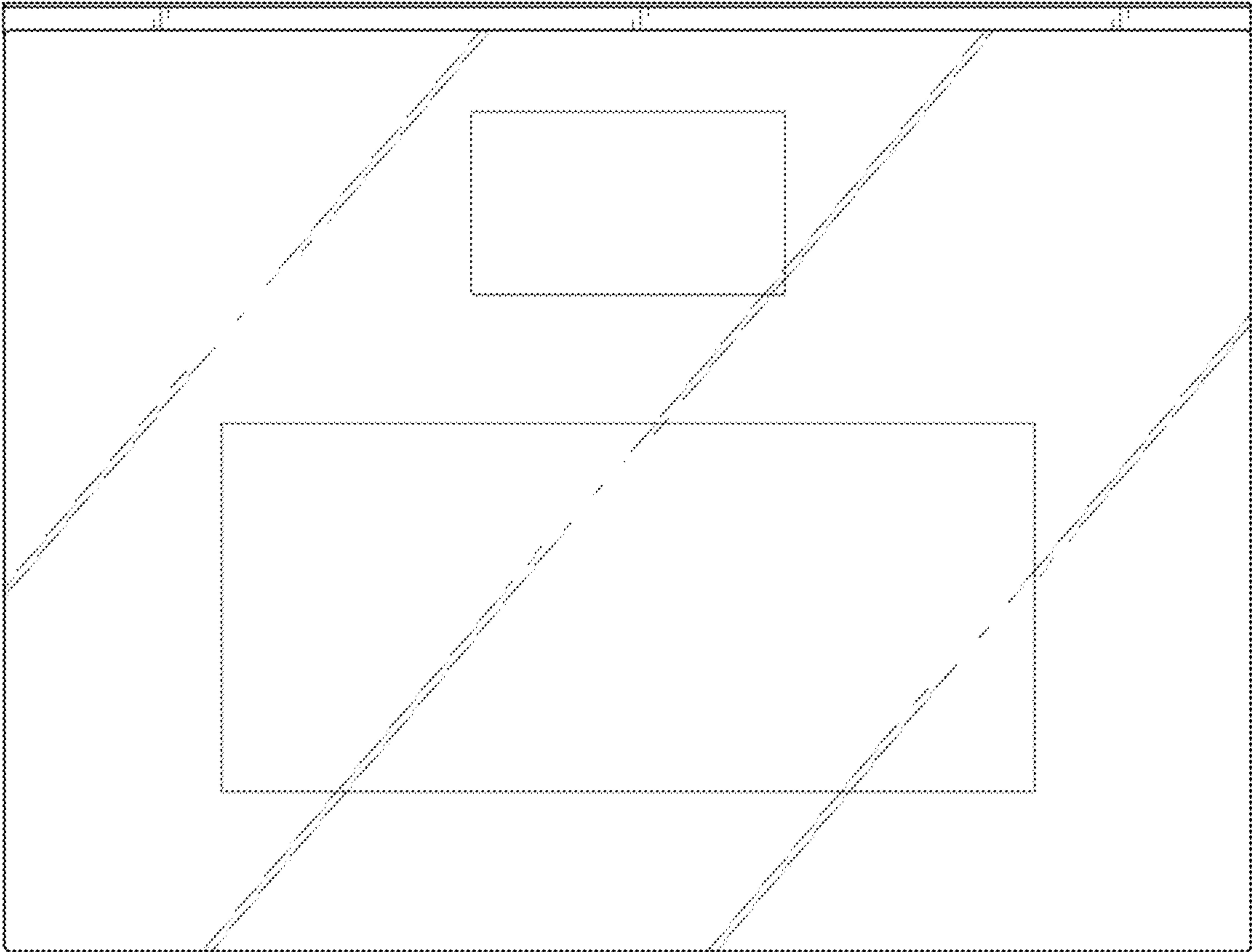
D784,752 S *	4/2017	Funnell, II .....	D7/348
D821,798 S *	7/2018	Jeon .....	D7/339
D821,799 S *	7/2018	Kim .....	D7/340
D821,813 S *	7/2018	Kim .....	D7/405
D835,450 S *	12/2018	Prentice .....	D7/348
D838,133 S *	1/2019	Fuller .....	D7/339

\* cited by examiner

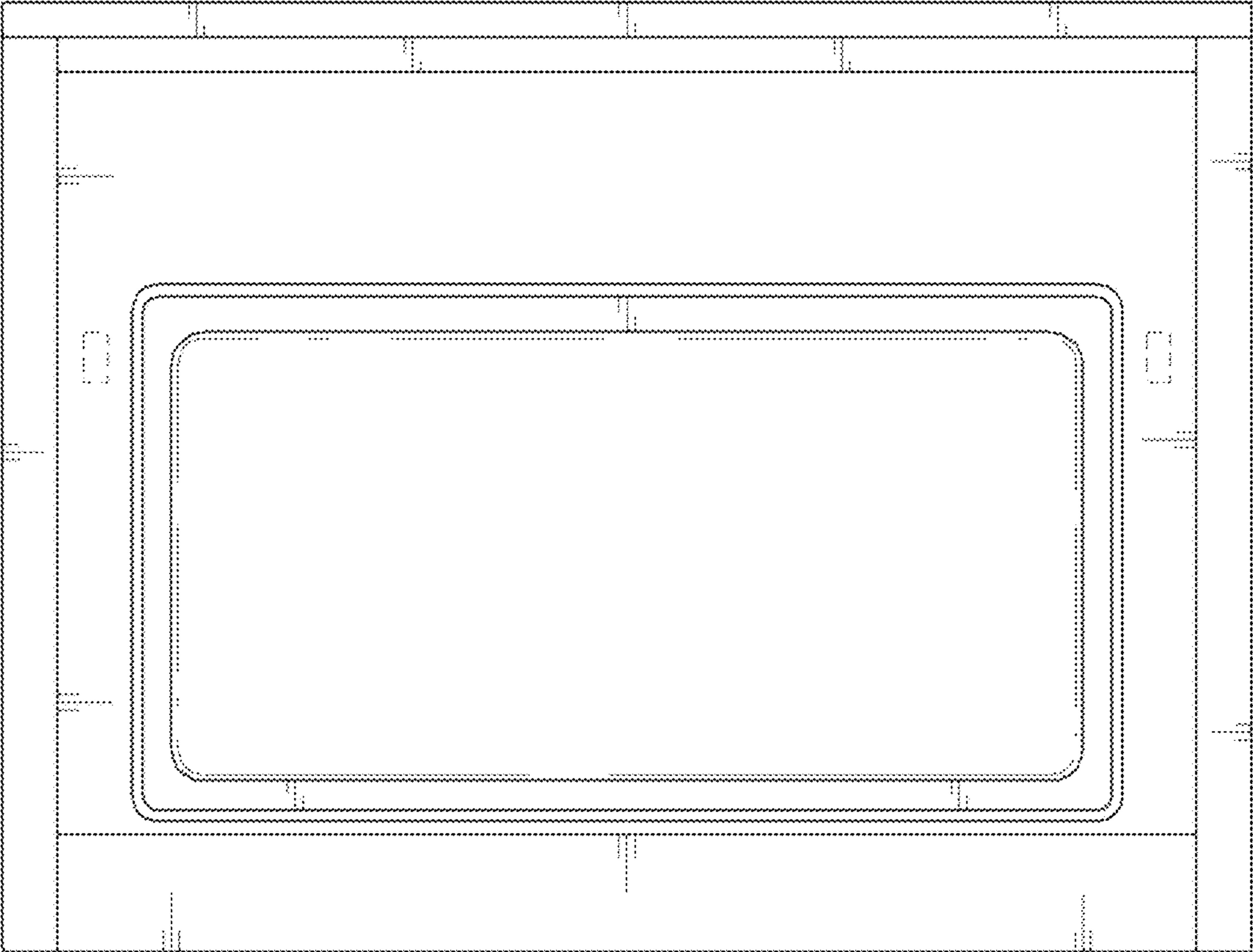
1.1



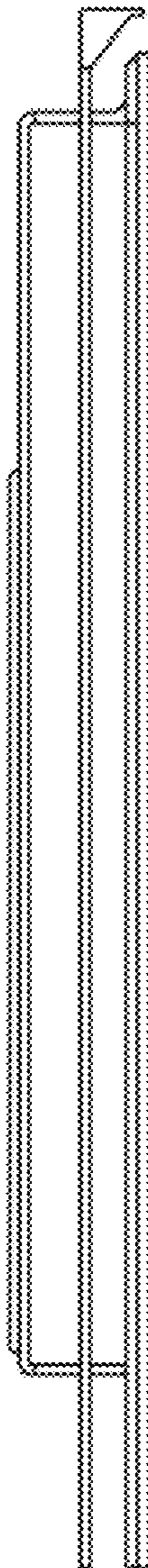
1.2



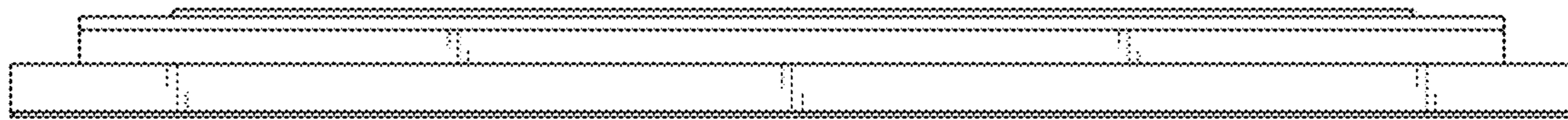
1.3



1.4



1.5

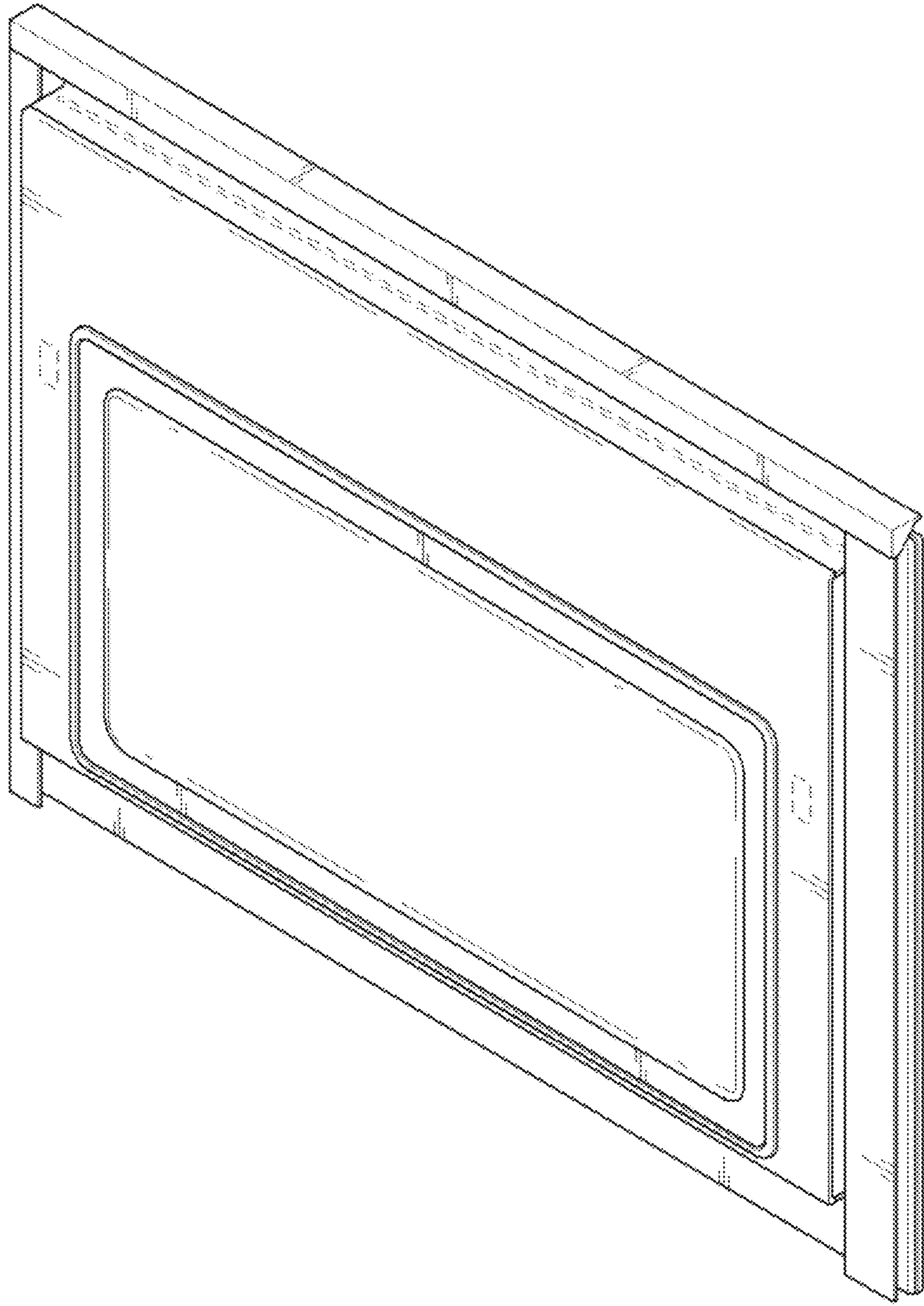


1.6





1.7



1.8

