



US00D862164S

(12) **United States Design Patent** (10) **Patent No.:** **US D862,164 S**
Lee et al. (45) **Date of Patent:** **** Oct. 8, 2019**

(54) **MAIN BODY FOR BUILT-IN OVEN RANGE**

(56) **References Cited**

(71) Applicant: **LG ELECTRONICS INC.**, Seoul (KR)
(72) Inventors: **Yoonji Lee**, Seoul (KR); **Sangwoo Kim**, Seoul (KR); **Sooyeon Kim**, Seoul (KR); **Hangbok Lee**, Seoul (KR); **Jaemyung Lim**, Seoul (KR); **Hanjin Jung**, Seoul (KR); **Sangwoog Cho**, Seoul (KR); **Yuna Jo**, Seoul (KR)

U.S. PATENT DOCUMENTS

D516,857 S * 3/2006 Kim D7/351
D657,989 S * 4/2012 Segato D7/348
D675,472 S * 2/2013 Strayle D7/309
D690,157 S * 9/2013 Baacke D7/405

(Continued)

Primary Examiner — Michael A. Pratt
(74) *Attorney, Agent, or Firm* — Birch, Stewart, Kolasch & Birch, LLP

(73) Assignee: **LG ELECTRONICS INC.**, Seoul (KR)

(57) **CLAIM**

The ornamental design for a main body for built-in oven range, as shown and described.

(**) Term: **15 Years**

(21) Appl. No.: **35/505,329**

DESCRIPTION

(22) Filed: **Jan. 19, 2018**

- 1. Main body for built-in oven range
- 1.1 : Perspective
- 1.2 : Front
- 1.3 : Back
- 1.4 : Left
- 1.5 : Top
- 1.6 : Bottom
- 1.7 : Perspective view 2
- 1.8 : Reference view

(80) **Hague Agreement Data**

Int. Filing Date: **Jan. 19, 2018**
Int. Reg. No.: **DM/100088**
Int. Reg. Date: **Jan. 19, 2018**
Int. Reg. Pub. Date: **Jul. 20, 2018**

The broken lines depict portions of the main body for built-in oven range that form no part of the claimed design; the dash-dot broken lines define the boundary of the claimed design and form no part thereof; reproduction 1.1 is a front perspective view of the main body for built-in oven range; reproduction 1.2 is a front view thereof; reproduction 1.3 is a back view thereof; reproduction 1.4 is a left view thereof where the right view is a mirror image; reproduction 1.5 is a top view thereof; reproduction 1.6 is a bottom view thereof; reproduction 1.7 is a bottom perspective view thereof; reproduction 1.8 is a reference view in which the claimed design is installed on a wall and forms no part of the

(30) **Foreign Application Priority Data**

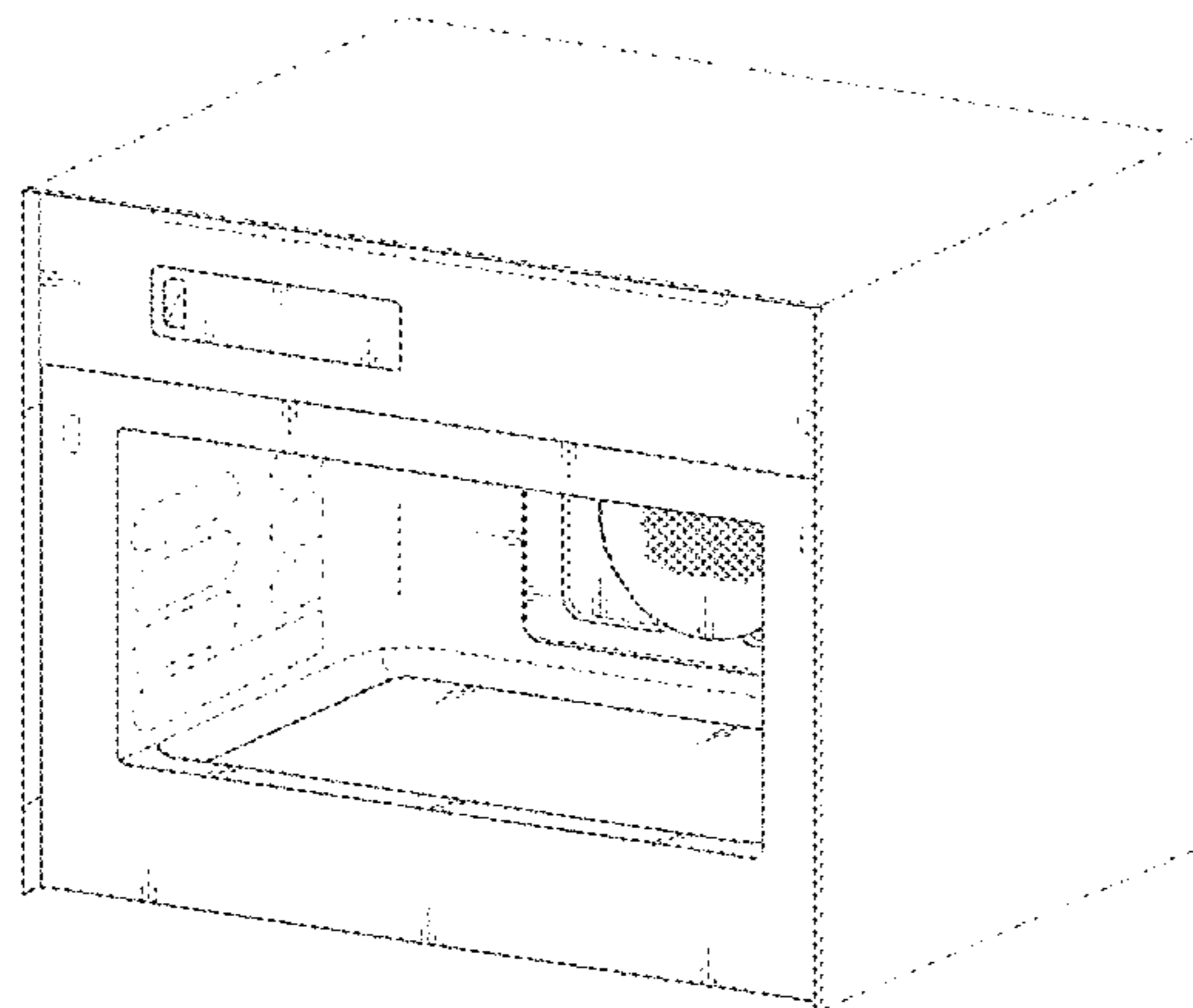
Jul. 21, 2017 (KR) 30-2017-0033740

(51) **LOC (12) Cl.** **07-02**

(52) **U.S. Cl.**
USPC **D7/405**

(58) **Field of Classification Search**
USPC D7/402-405
CPC A47J 31/4403; A47J 31/44; A47J 31/0663;
A47J 31/42; A47J 2201/00; A47J 31/0657
See application file for complete search history.

(Continued)



claimed design; this design is for a main body for built-in oven range with a pushable steam tank at the left front part which can supply water inside of the oven; at the left side of the steam tank, there is an indicator to check the remaining water.

1 Claim, 8 Drawing Sheets

(56)

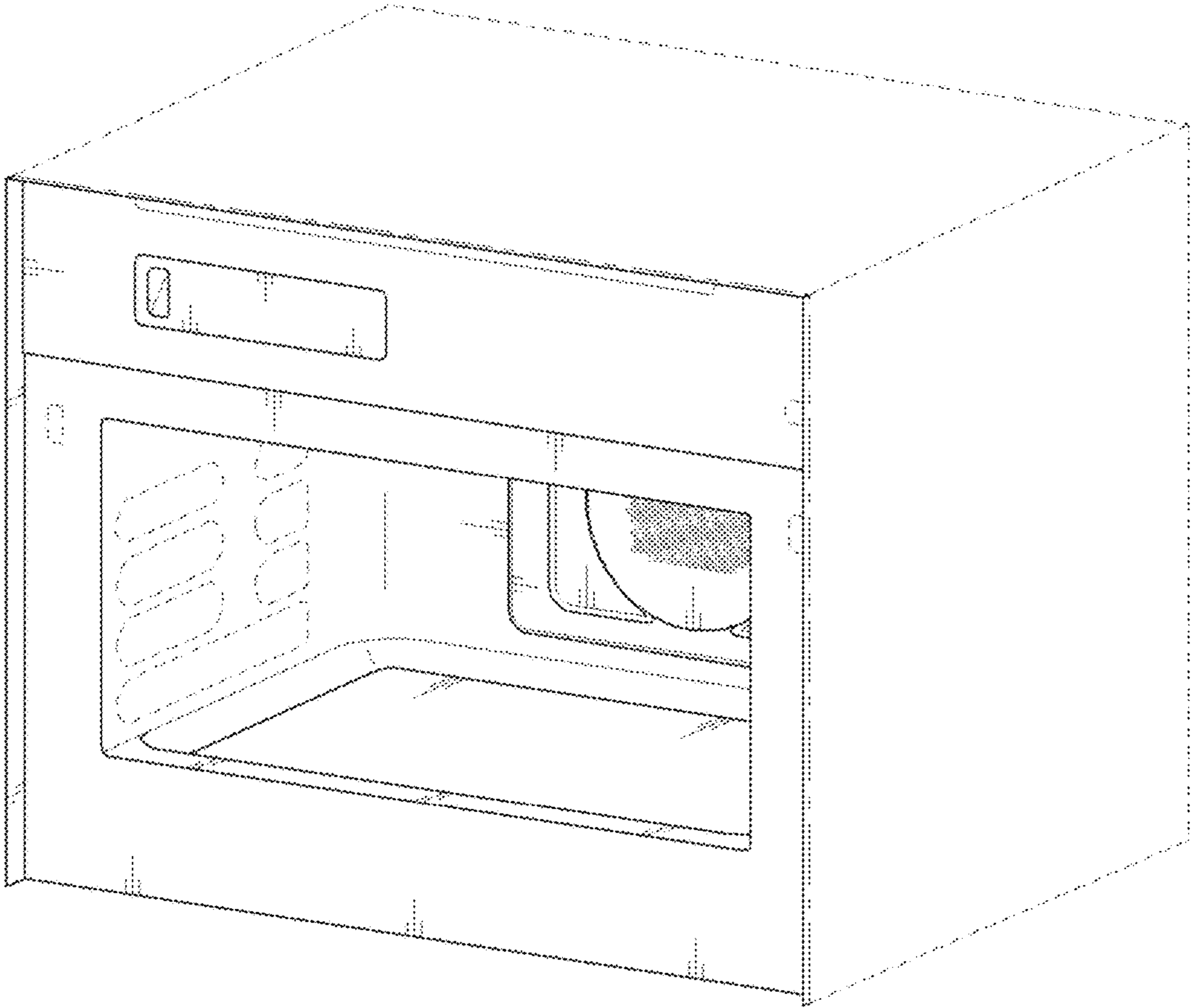
References Cited

U.S. PATENT DOCUMENTS

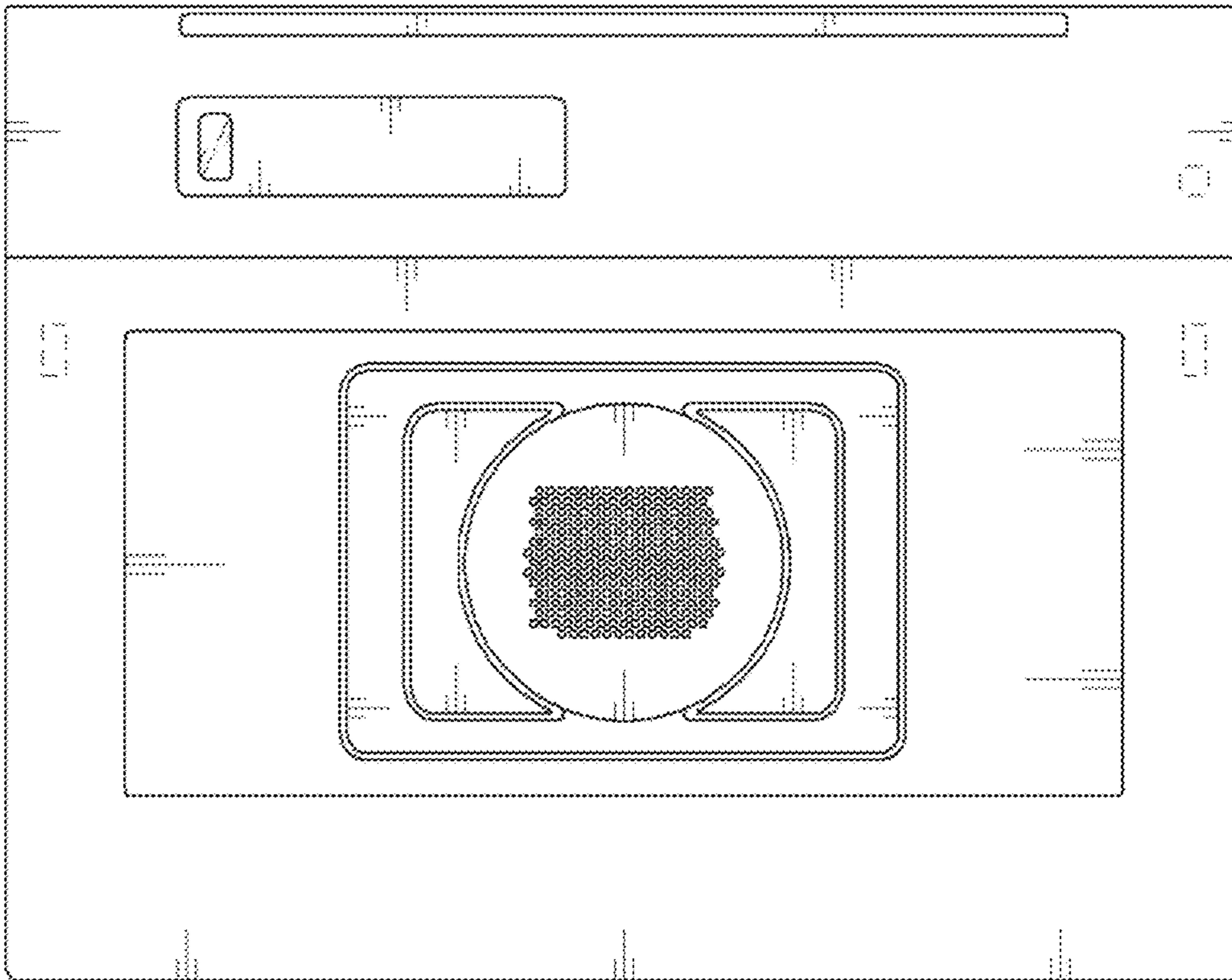
D690,158 S *	9/2013	Baek	D7/405
D784,751 S *	4/2017	Funnell, II	D7/348
D784,752 S *	4/2017	Funnell, II	D7/348
D808,707 S *	1/2018	Kim	D7/340
D812,415 S *	3/2018	Best	D7/362
D821,798 S *	7/2018	Jeon	D7/339

* cited by examiner

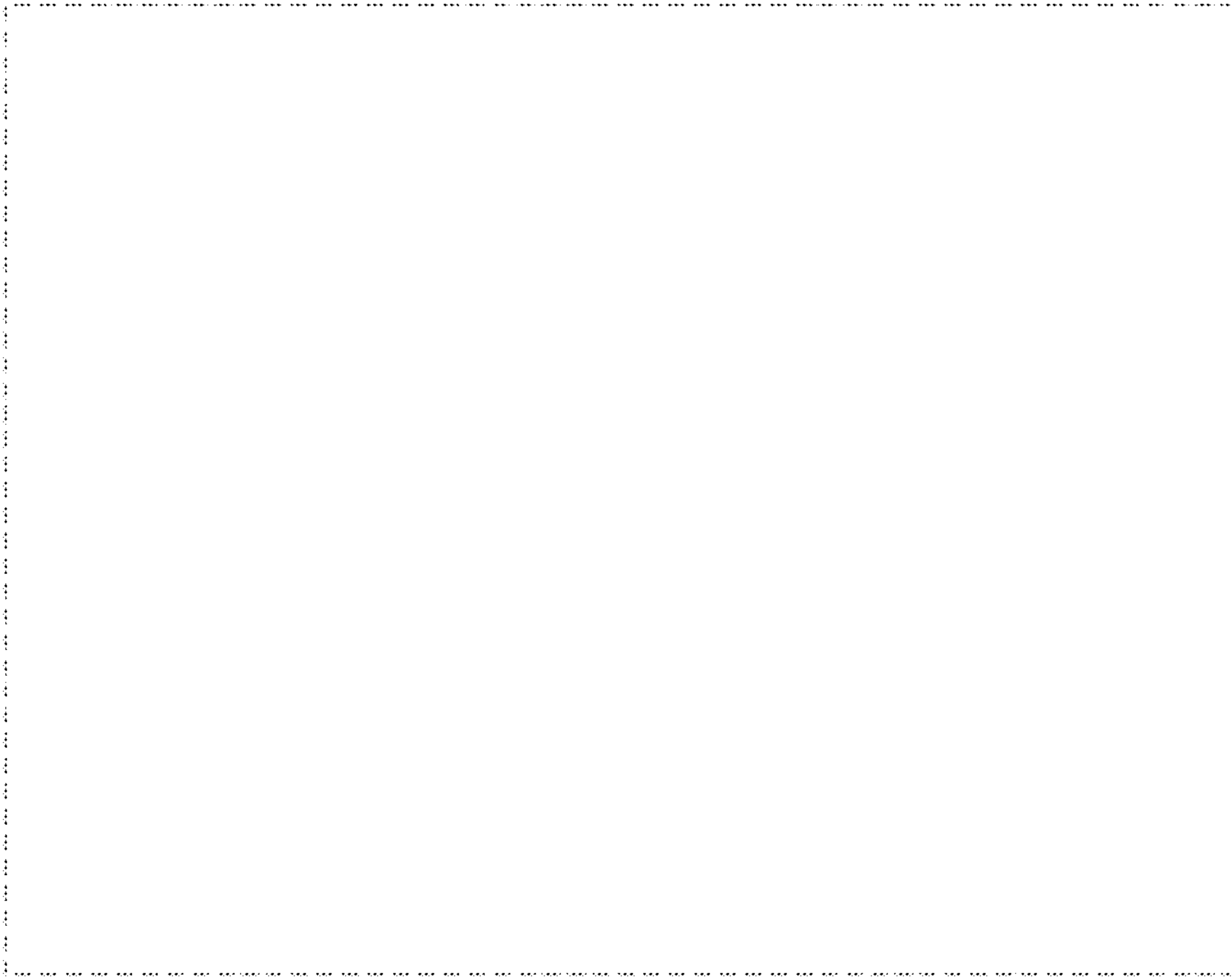
1.1



1.2



1.3



1.4



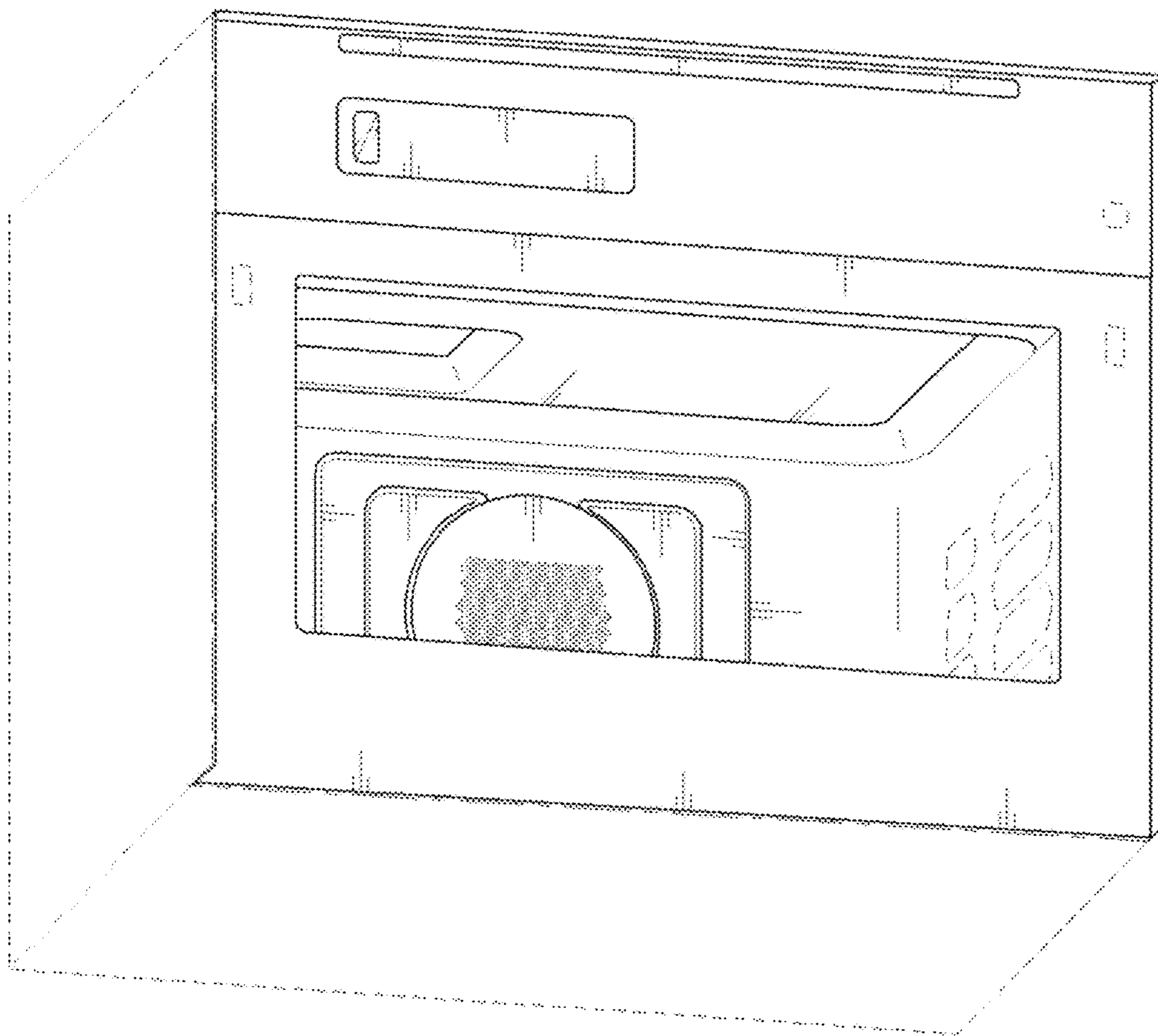
1.5



1.6



1.7



1.8

