

US00D862163S

(12) **United States Design Patent**  
**Jung et al.**

(10) **Patent No.:** **US D862,163 S**  
(45) **Date of Patent:** **\*\* Oct. 8, 2019**

(54) **FRAME FOR SHELF OF ELECTRIC OVEN RANGE**

(71) Applicant: **LG ELECTRONICS INC.**, Seoul (KR)

(72) Inventors: **Hanjin Jung**, Seoul (KR); **Sangwoo Kim**, Seoul (KR); **Sooyeon Kim**, Seoul (KR); **Yoonji Lee**, Seoul (KR); **Hangbok Lee**, Seoul (KR); **Jaemyung Lim**, Seoul (KR); **Sangwoog Cho**, Seoul (KR); **Yuna Jo**, Seoul (KR)

(73) Assignee: **LG ELECTRONICS INC.**, Seoul (KR)

(\*\*) Term: **15 Years**

(21) Appl. No.: **35/505,338**

(22) Filed: **Jan. 19, 2018**

(80) **Hague Agreement Data**

Int. Filing Date: **Jan. 19, 2018**

Int. Reg. No.: **DM/100128**

Int. Reg. Date: **Jan. 19, 2018**

Int. Reg. Pub. Date: **Jul. 20, 2018**

(30) **Foreign Application Priority Data**

Jul. 21, 2017 (KR) ..... 30-2017-0033738

(51) **LOC (12) Cl.** ..... **07-02**

(52) **U.S. Cl.**  
USPC ..... **D7/402**

(58) **Field of Classification Search**

USPC ..... D7/402, 403, 406, 408-409

CPC ..... F24C 3/082; F24C 3/085; F24C 3/122;

F24C 3/124; F24C 15/108; F24C 7/086

See application file for complete search history.

(56) **References Cited**

U.S. PATENT DOCUMENTS

5,429,043 A \* 7/1995 Becker ..... F24C 15/16  
126/337 A  
2014/0138337 A1\* 5/2014 Curdt ..... F25D 25/02  
211/186  
2014/0376213 A1\* 12/2014 Miedema ..... F21V 33/0024  
362/127  
2017/0314786 A1\* 11/2017 Bergen ..... F24C 15/16

FOREIGN PATENT DOCUMENTS

DE 2459479 A1 \* 7/1976 ..... A21B 3/155

\* cited by examiner

*Primary Examiner* — Michael A. Pratt

(74) *Attorney, Agent, or Firm* — Birch, Stewart, Kolasch & Birch, LLP

(57) **CLAIM**

The ornamental design for a frame for shelf of electric oven range, as shown and described.

**DESCRIPTION**

1. Frame for shelf of electric oven range

1.1 : Perspective

1.2 : Front

1.3 : Back

1.4 : Left

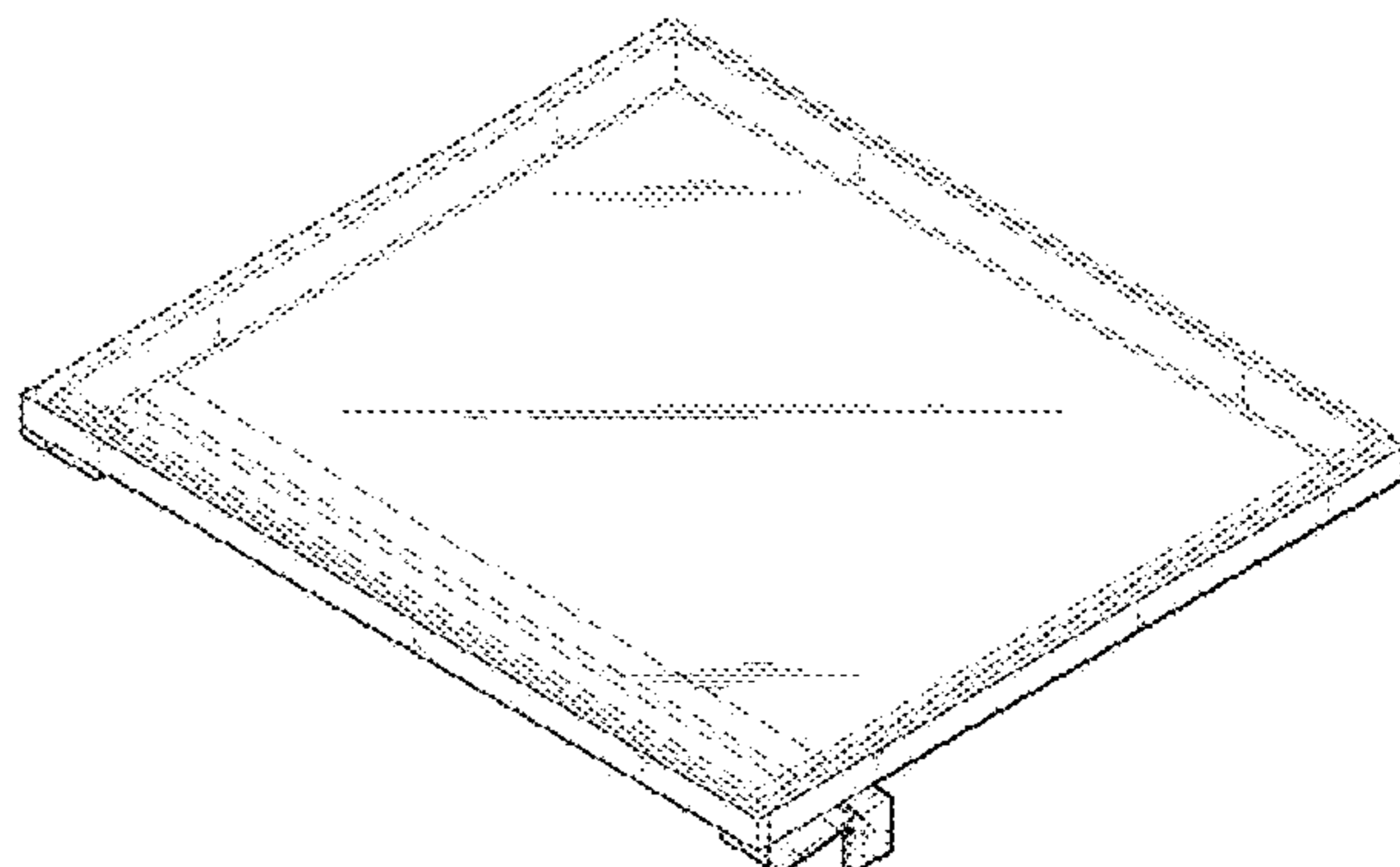
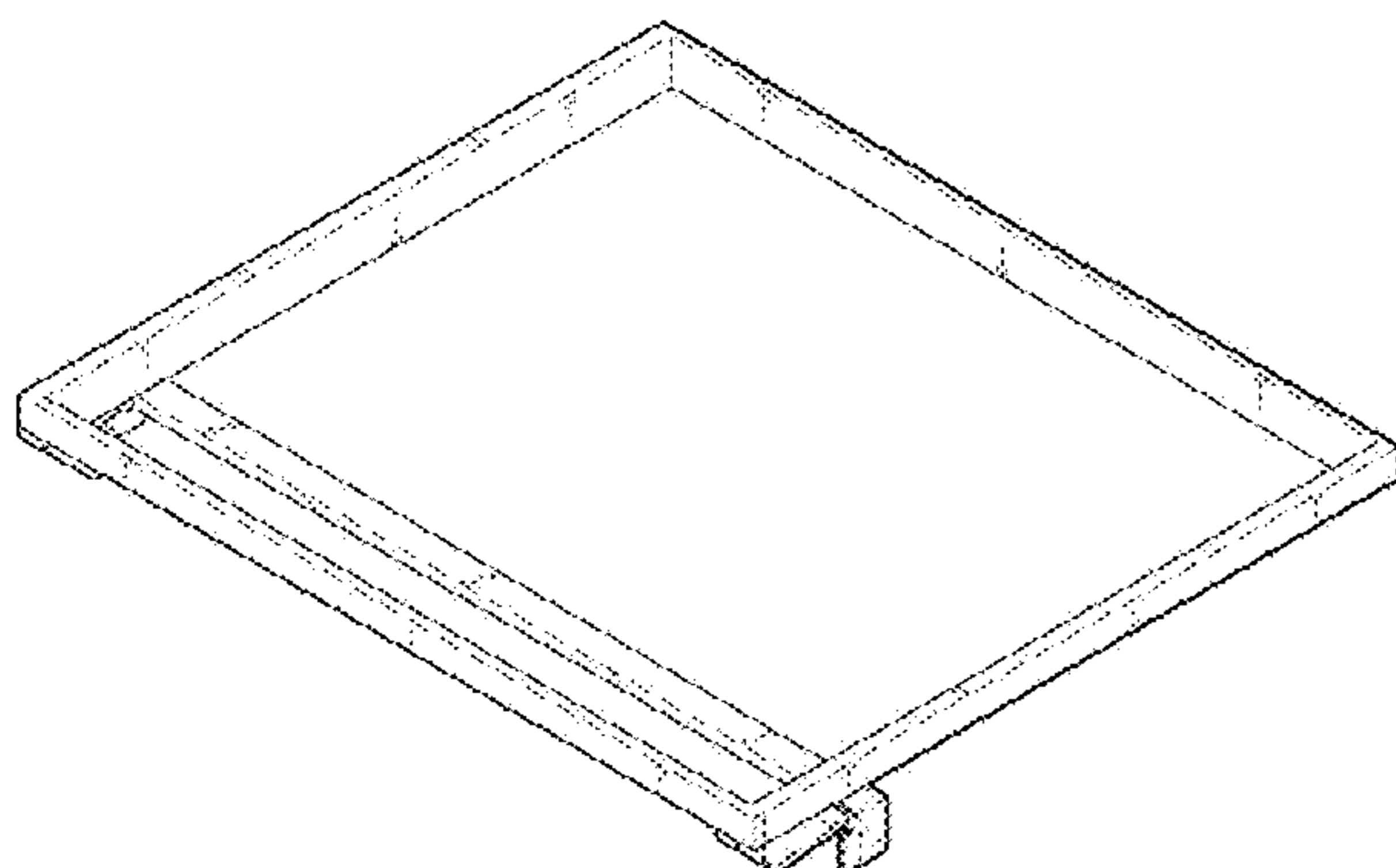
1.5 : Top

1.6 : Bottom

1.7 : Reference view

The broken lines depict portions of the frame for a shelf of an electric oven range that form no part of the claimed design; reproduction 1.1 is a front perspective view of the frame for a shelf of an electric oven range; reproduction 1.2 is a front view thereof; reproduction 1.3 is a back view thereof; reproduction 1.4 is a left view thereof where the

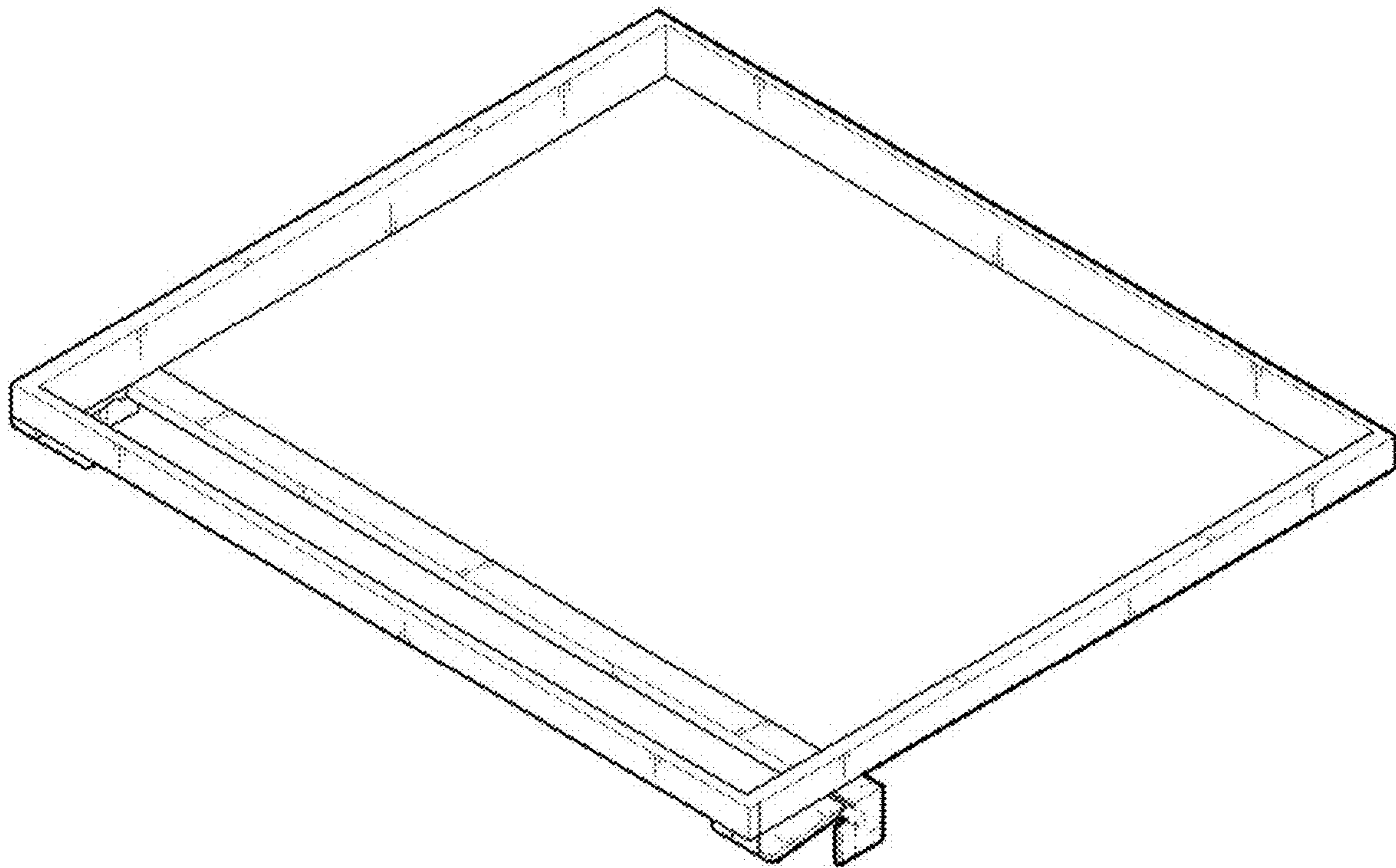
(Continued)



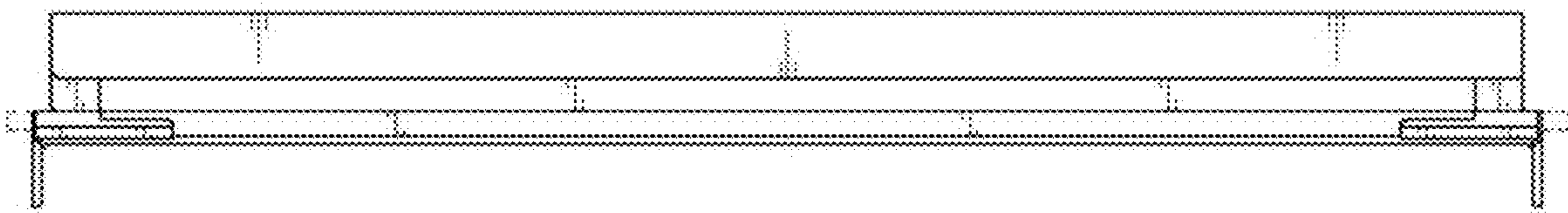
right view is a mirror image; reproduction **1.5** is a top view thereof; reproduction **1.6** is a bottom view thereof; Reproduction **1.7** is a references view showing in a use state of the shelf tray attached to the top of the frame. The Top frame does not form a part of the claimed design.

**1 Claim, 7 Drawing Sheets**

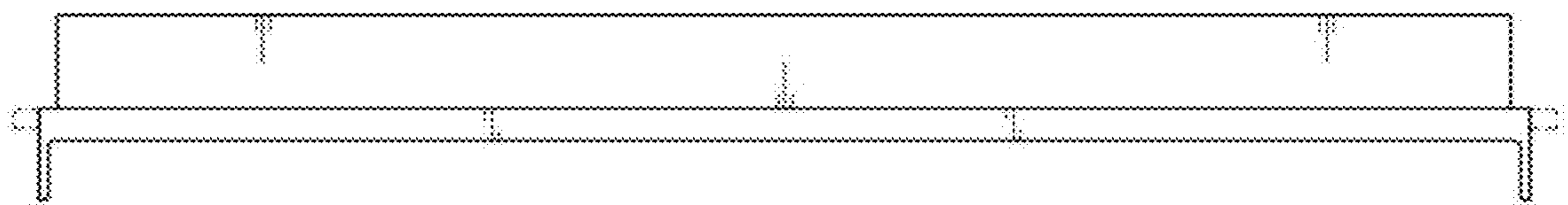
1.1



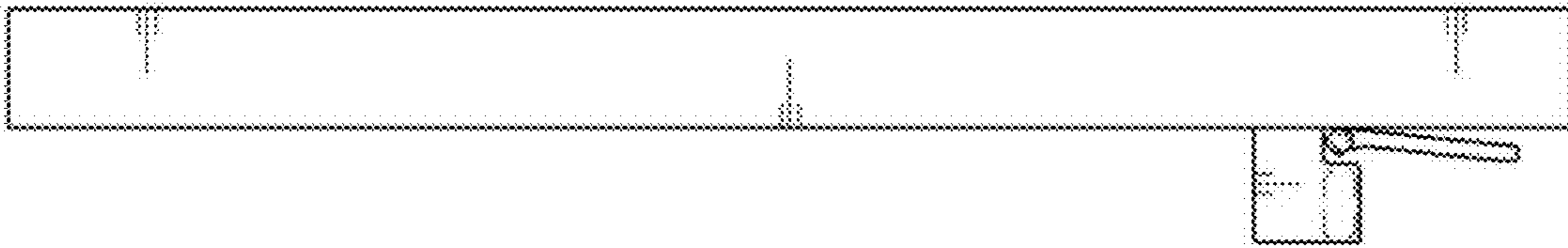
1.2



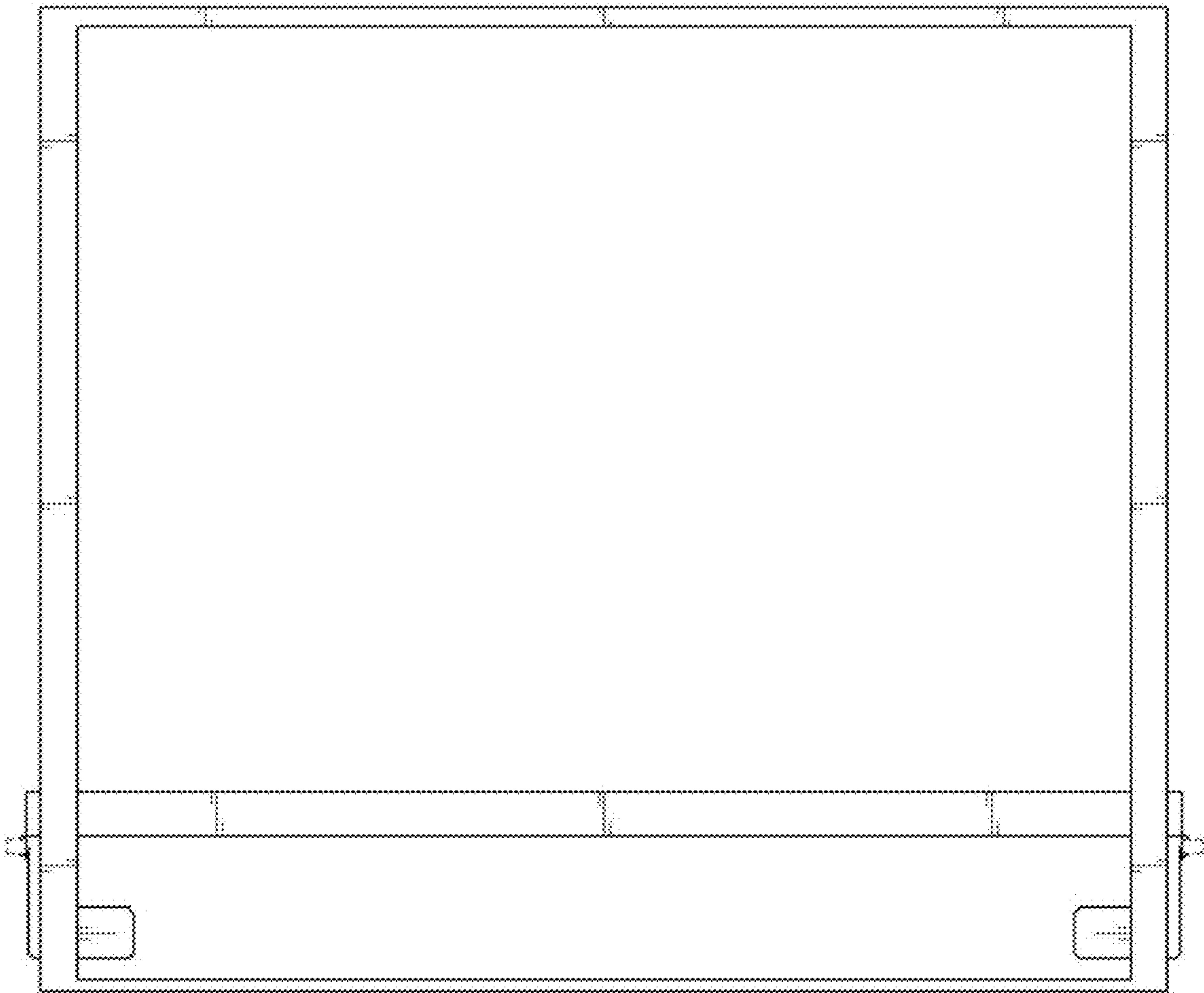
1.3



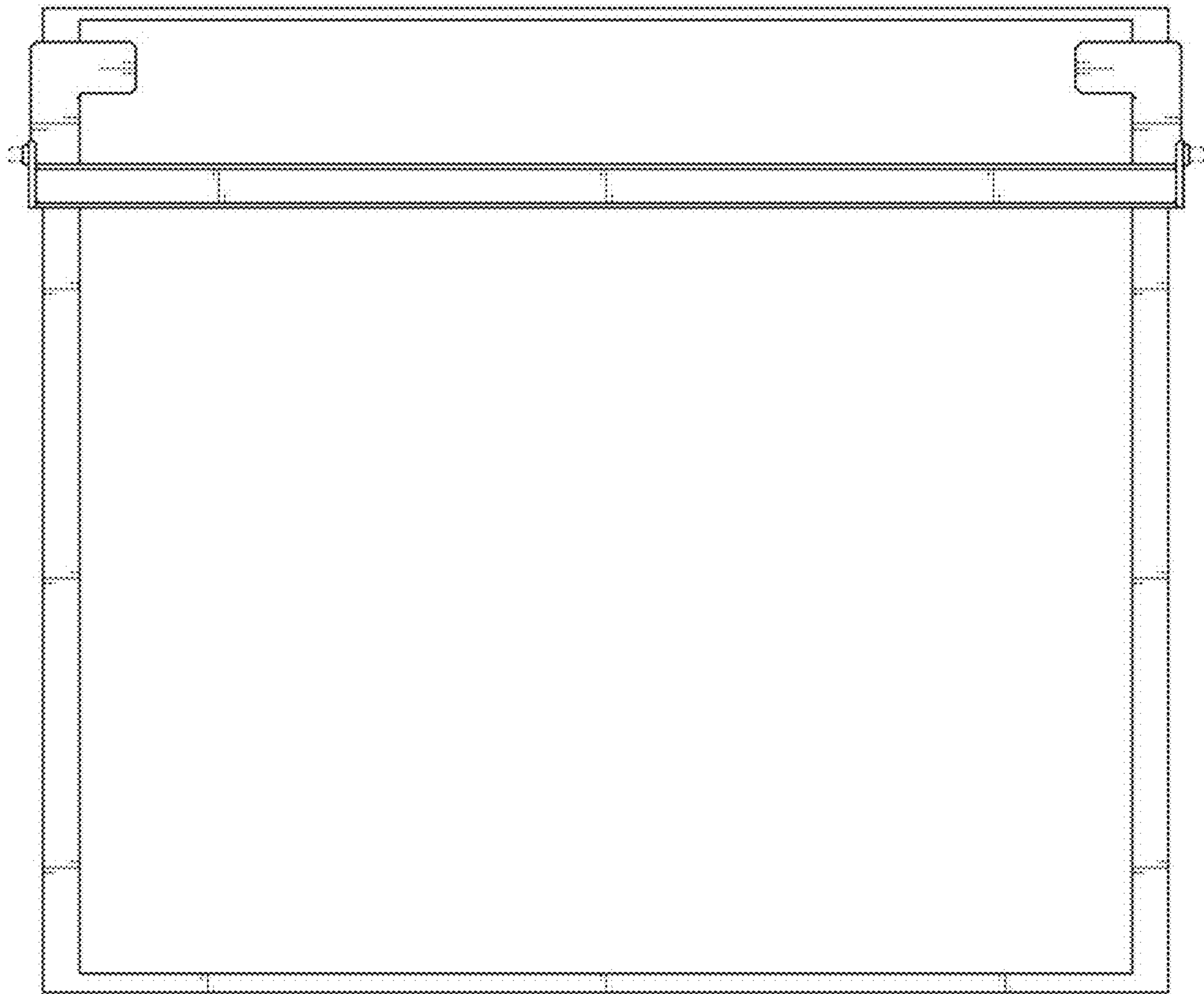
1.4



1.5



1.6





1.7

