



US00D862162S

(12) **United States Design Patent** (10) **Patent No.:** **US D862,162 S**
Lee et al. (45) **Date of Patent:** **** Oct. 8, 2019**

(54) **OVEN**

(71) Applicant: **Samsung Electronics Co., Ltd.**,
Suwon-si (KR)

(72) Inventors: **Junkyo Lee**, Seongnam-si (KR);
Hyeongju Seo, Seoul (KR); **Selim Yoon**,
Seongnam-si (KR); **Jongsu Jeon**,
Seongnam-si (KR)

(73) Assignee: **Samsung Electronics Co., Ltd.**,
Suwon-si (KR)

(**) Term: **15 Years**

(21) Appl. No.: **29/644,193**

(22) Filed: **Apr. 16, 2018**

(30) **Foreign Application Priority Data**

Jan. 4, 2018 (KR) 30-2018-0000724

(51) **LOC (12) Cl.** **07-02**

(52) **U.S. Cl.**
USPC **D7/402**

(58) **Field of Classification Search**
USPC D7/402-407, 323, 346-349, 332, 351,
D7/350.1-350.4, 339-340

(Continued)

(56) **References Cited**

U.S. PATENT DOCUMENTS

D491,415 S * 6/2004 Rummel D13/112
D524,600 S * 7/2006 Austin 219/400

(Continued)

FOREIGN PATENT DOCUMENTS

EM 000159512-0018 9/2004
EM 000640404-0042 2/2007

(Continued)

OTHER PUBLICATIONS

“Miele H6160BP Built-In Electric Single Oven—Clean Steel”
[2018] www.buywiseappliances.co.uk Apr. 16, 2018 <https://www.
buywiseappliances.co.uk/miele-h6160bp-built-in-electric-single-
oven-clean-steel.html>.

Primary Examiner — Sheryl Lane

Assistant Examiner — Nicole C Shiflet

(74) *Attorney, Agent, or Firm* — NSIP Law

(57) **CLAIM**

We claim the ornamental design for an oven, as shown and
described.

DESCRIPTION

FIG. 1 is a front perspective view of an oven showing our
new design;

FIG. 2 is a front view thereof;

FIG. 3 is a rear view thereof;

FIG. 4 is a left-side view thereof;

FIG. 5 is a right-side view thereof;

FIG. 6 is a top view thereof;

FIG. 7 is a bottom view thereof;

FIG. 8 is a partial enlarged view of a portion defined by lines
8-8 of FIG. 2;

FIG. 9 is a front top right perspective view of FIG. 8;

FIG. 10 is a front bottom right perspective view of FIG. 8;

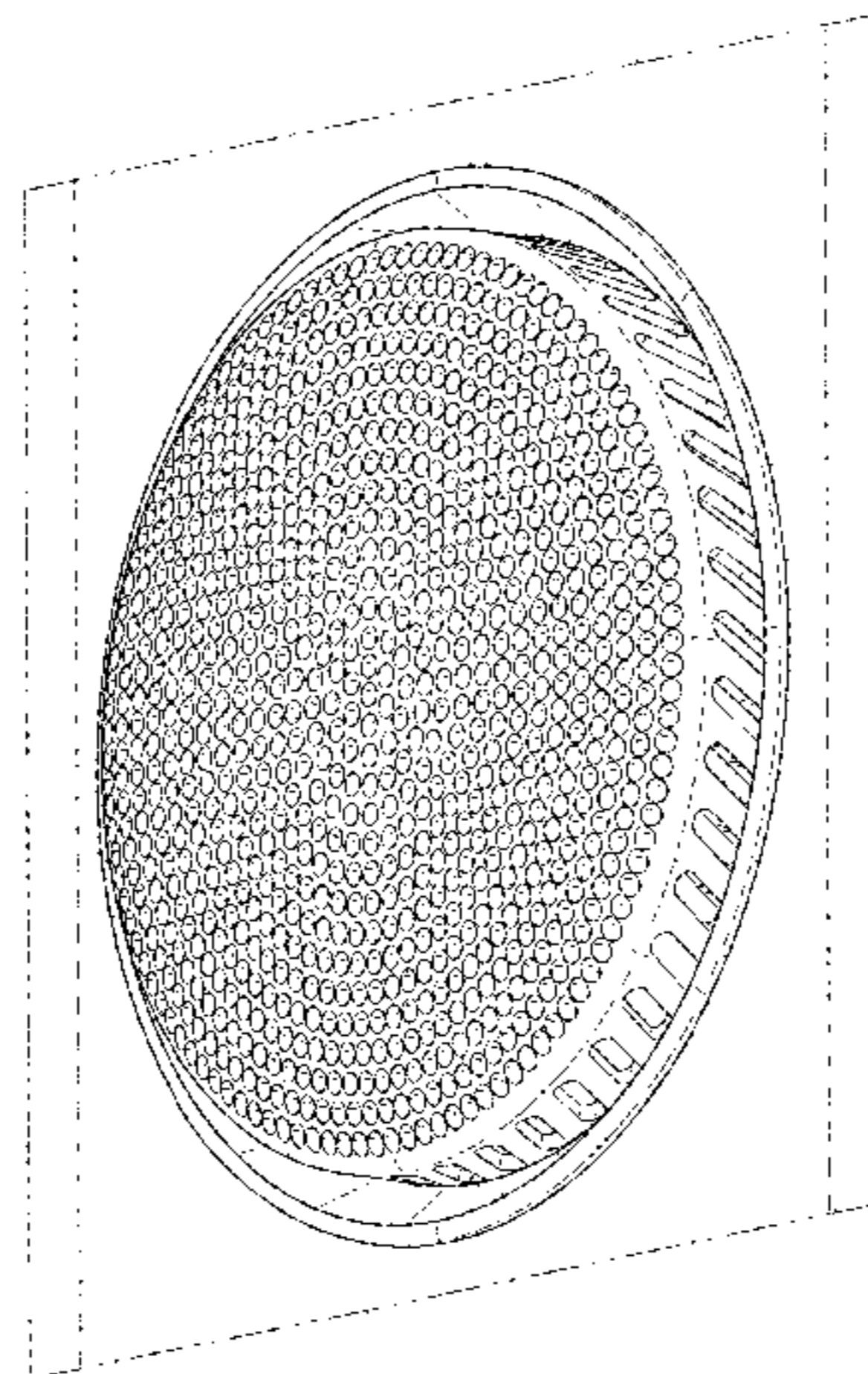
FIG. 11 is a partial enlarged cross-sectional view of the
claimed portion taken through line 11-11 of FIG. 2;

FIG. 12 is a cross-sectional view taken through line 12-12 of
FIG. 2;

FIG. 13 is an exploded, front top right perspective view of
FIG. 12 in which the hot-air outlet cover is shown separated;
and,

FIG. 14 is a front bottom right perspective view of FIG. 12.
The short dash-dash broken lines in the figures depict
portions of the oven which form no part of the claimed
design; the dot-dot-dash broken lines in FIGS. 8 through 10
show enlargements and are for reference only; the broken
lines form no part of the claimed design.

1 Claim, 14 Drawing Sheets



(58) **Field of Classification Search**

CPC .. F24C 3/002; F24C 3/00; F24C 15/02; F24C
7/00; F24C 5/00; H05B 1/0263; H05B
1/0261

See application file for complete search history.

(56) **References Cited**

U.S. PATENT DOCUMENTS

D614,445	S	*	4/2010	Ferron	D7/354
D627,193	S	*	11/2010	Marin	D7/354
D663,582	S	*	7/2012	Moulin	D7/354
D664,000	S	*	7/2012	Moulin	D7/354
D821,814	S	*	7/2018	Carcano	D7/405
D822,425	S	*	7/2018	Menicanin	D7/359
D829,502	S	*	10/2018	Kastner	D7/407
D836,969	S	*	1/2019	Shen	D7/362
2006/0131298	A1	*	6/2006	Seuk Oh	F24C 15/325 219/400
2006/0278214	A1	*	12/2006	Park	F24C 15/006 126/273 R
2011/0214661	A1	*	9/2011	Hyun	F24C 15/006 126/21 A

FOREIGN PATENT DOCUMENTS

EM	001923236-0002	10/2011
KR	30-2010-0041324	6/2012

* cited by examiner

FIG. 1

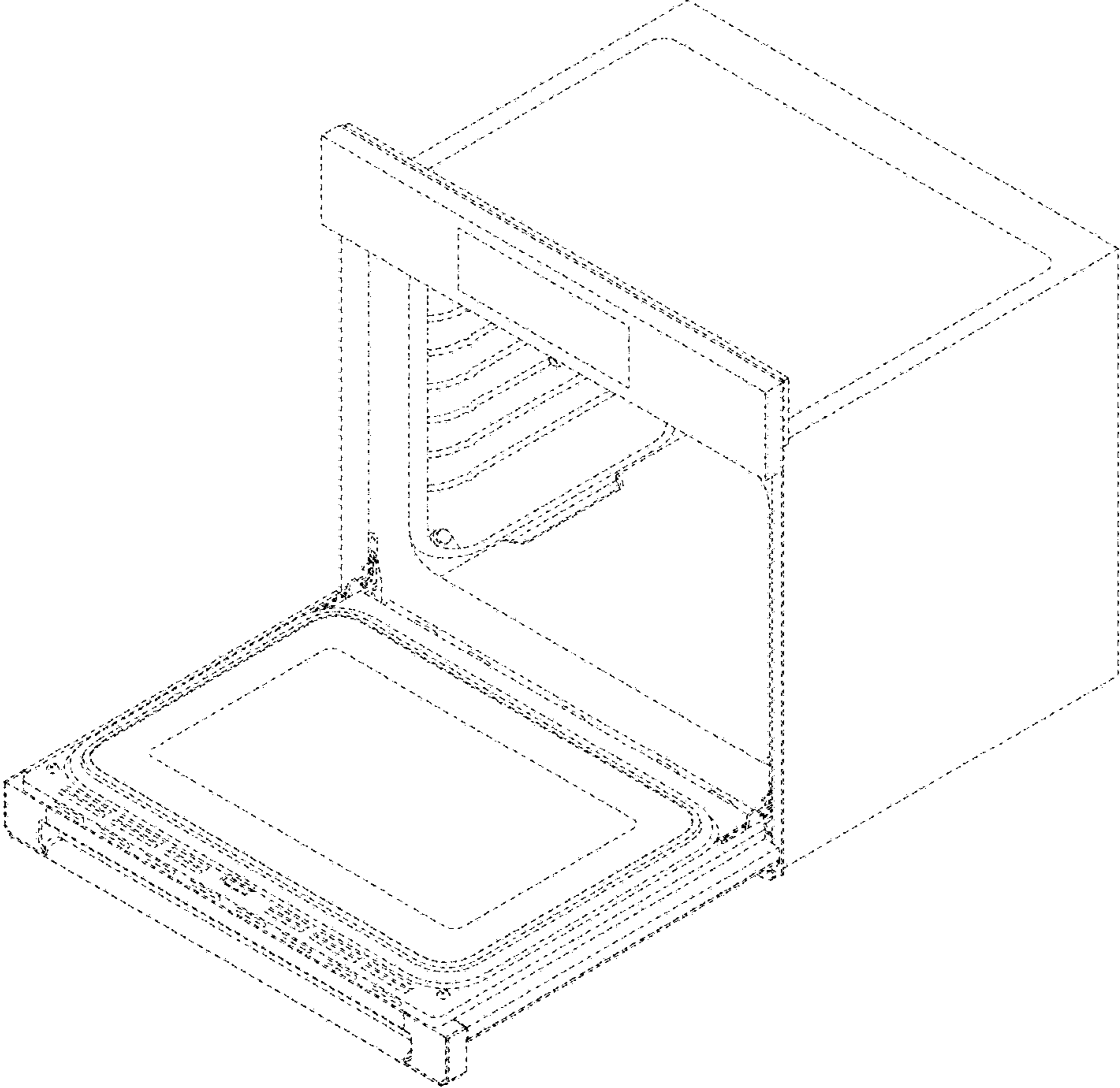


FIG. 2

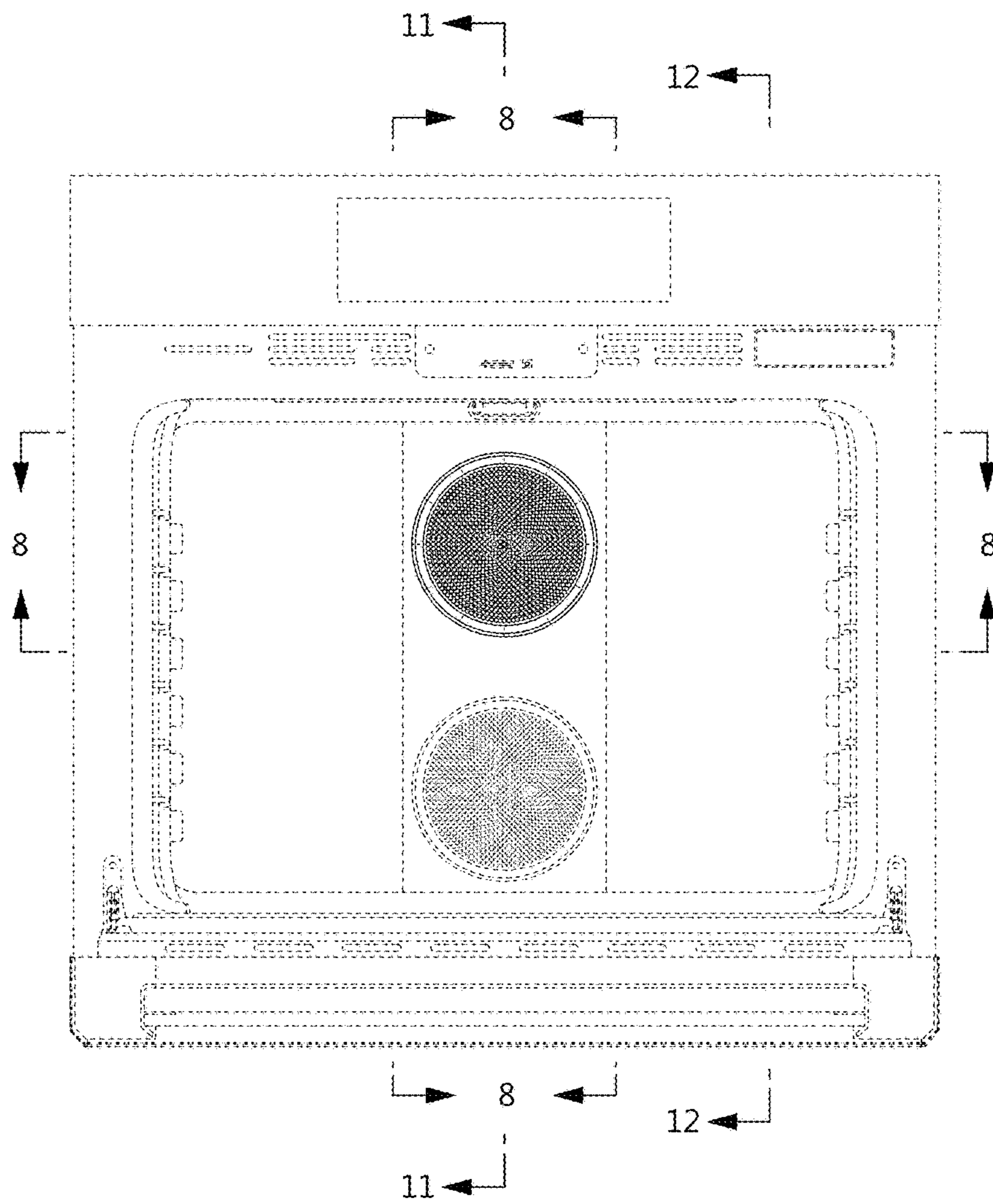


FIG. 3

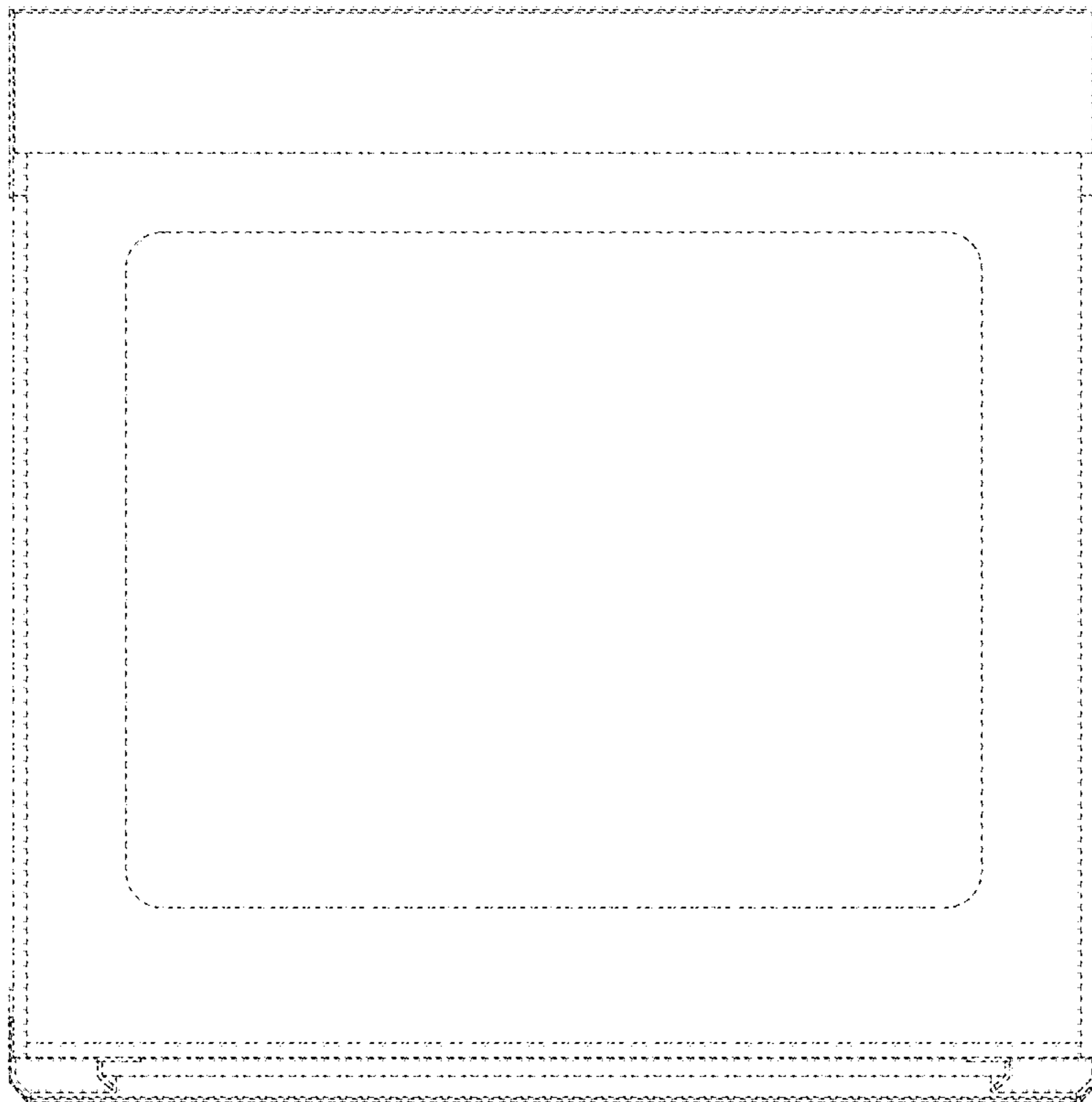


FIG. 4

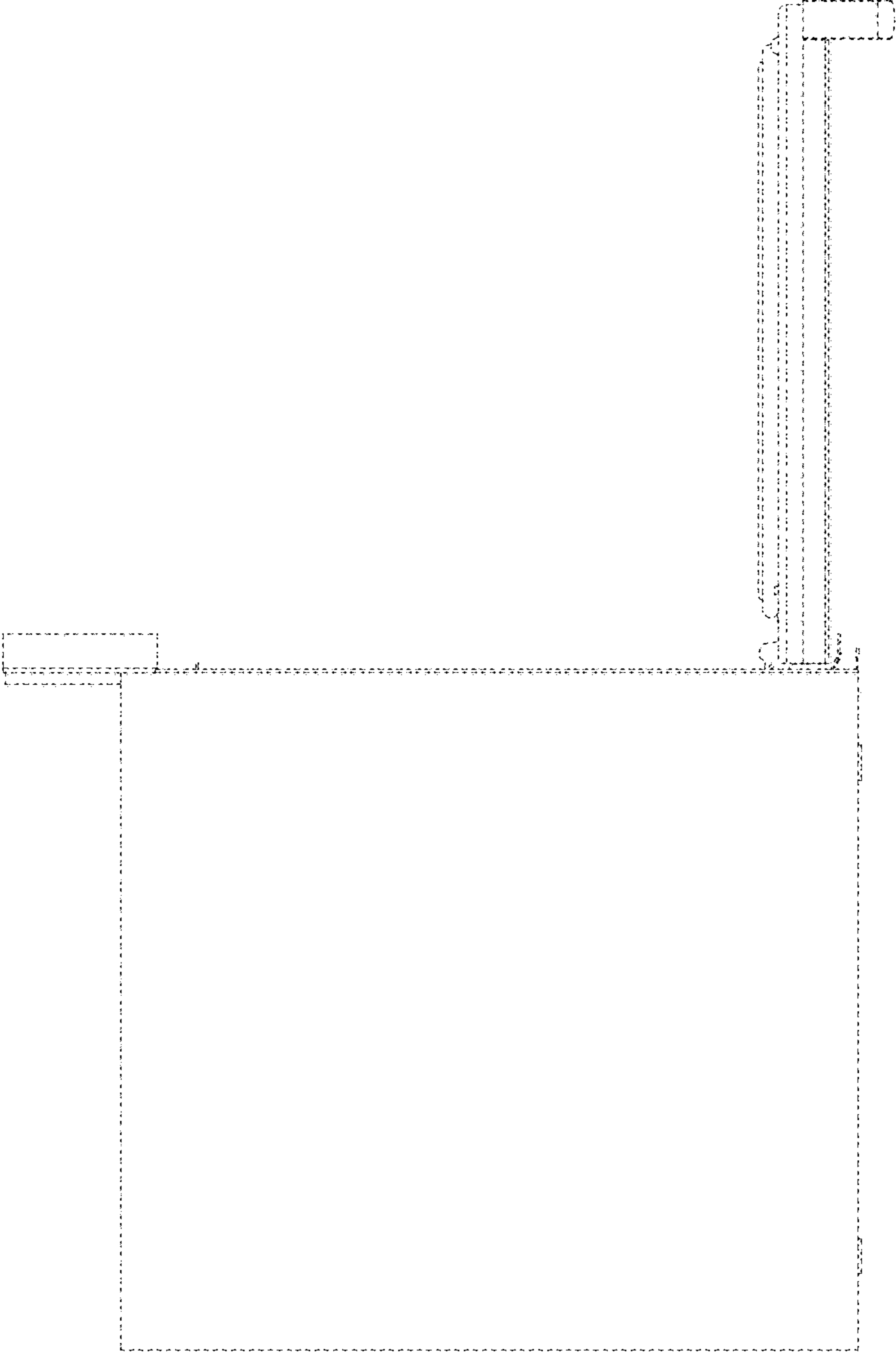


FIG. 5

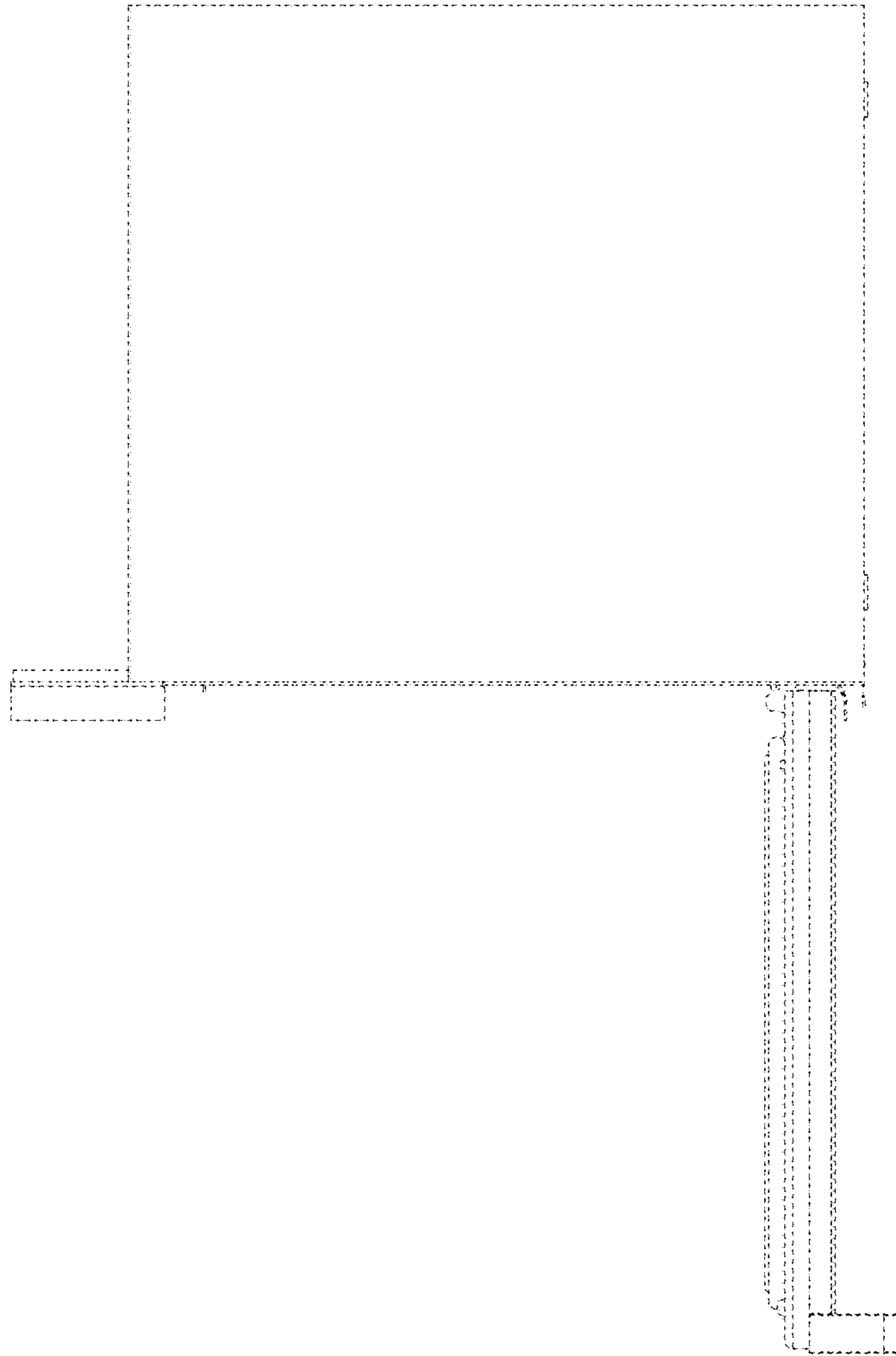


FIG. 6

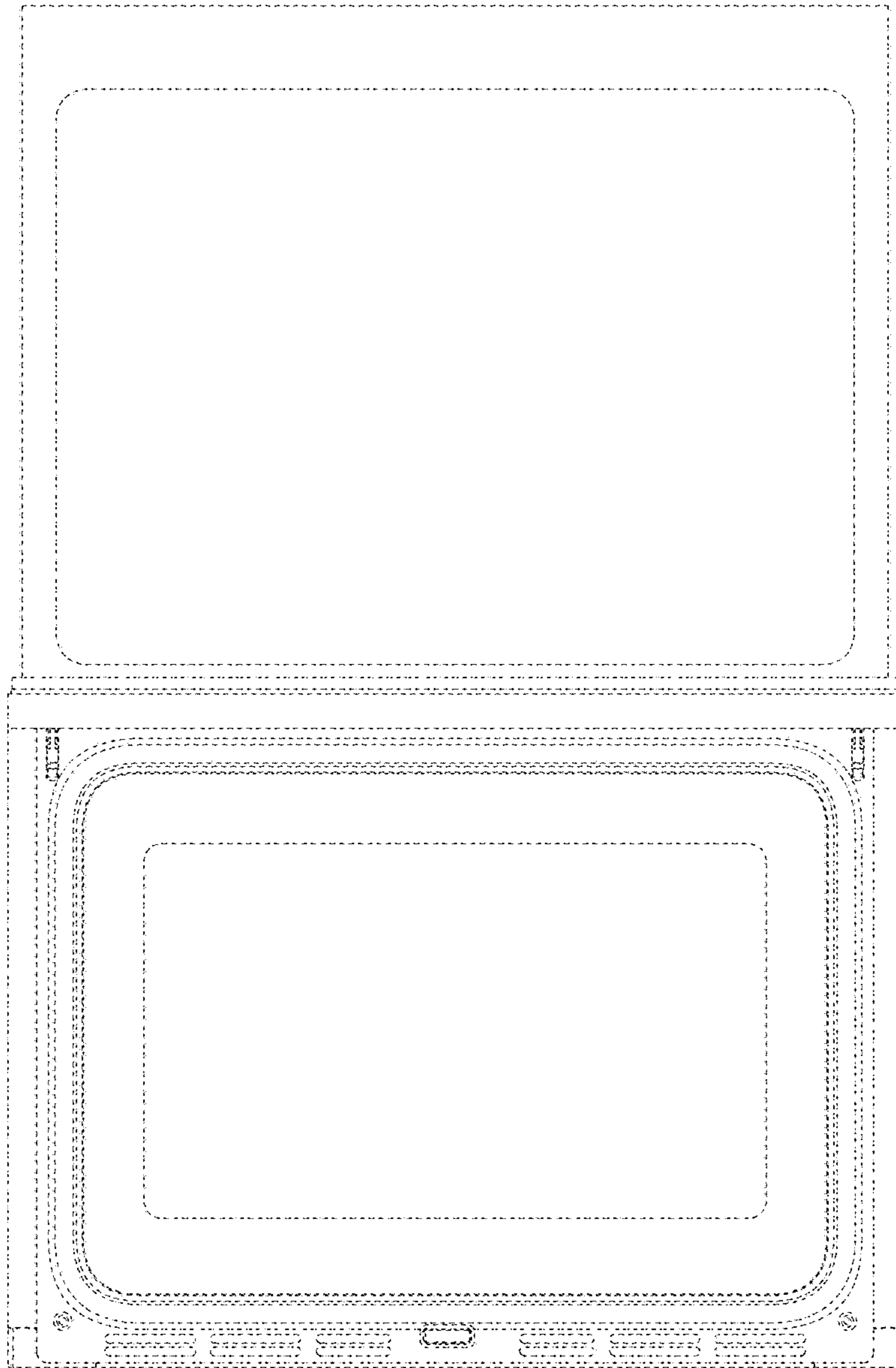


FIG. 7

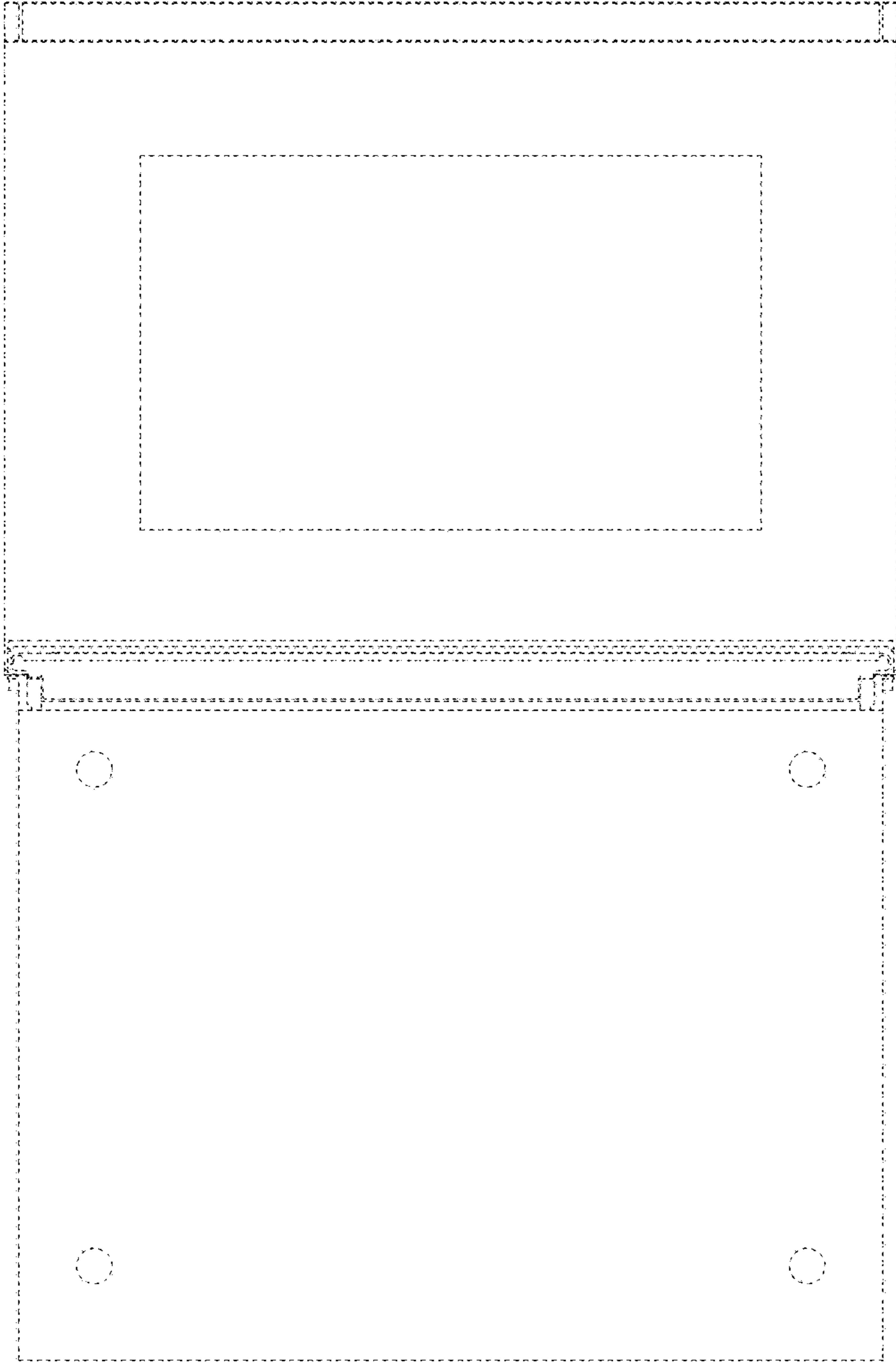


FIG. 8

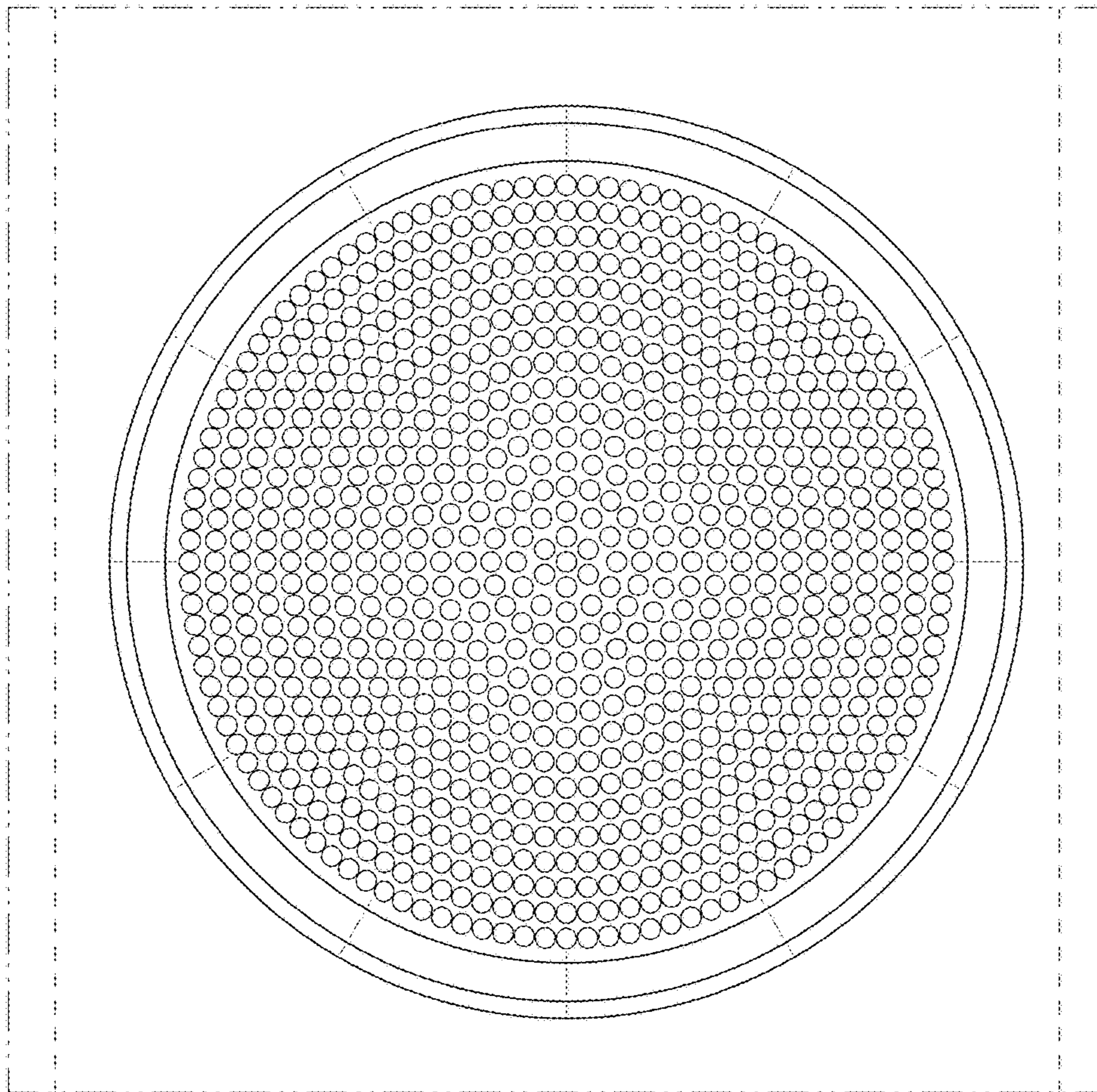


FIG. 9

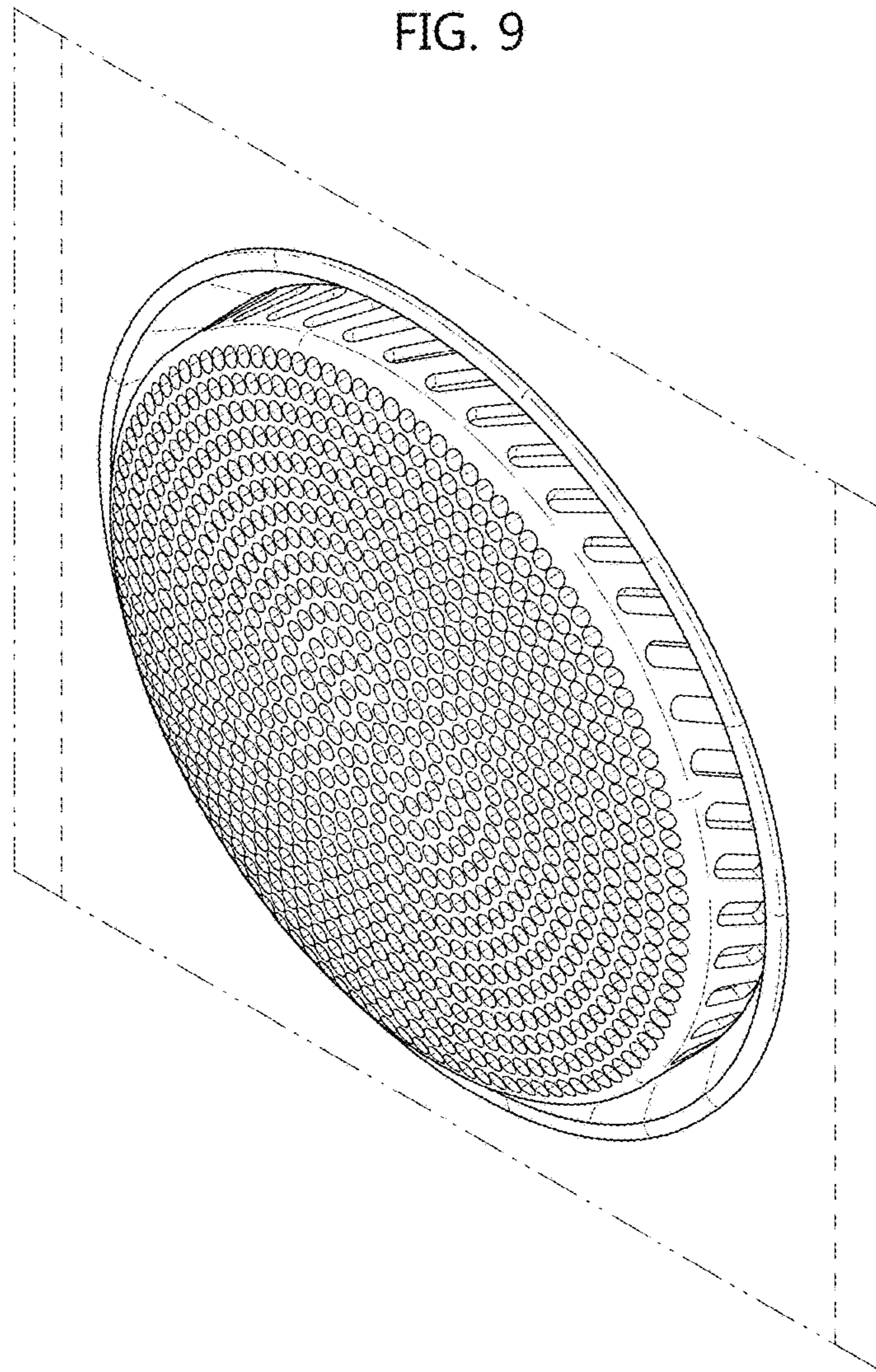


FIG. 10

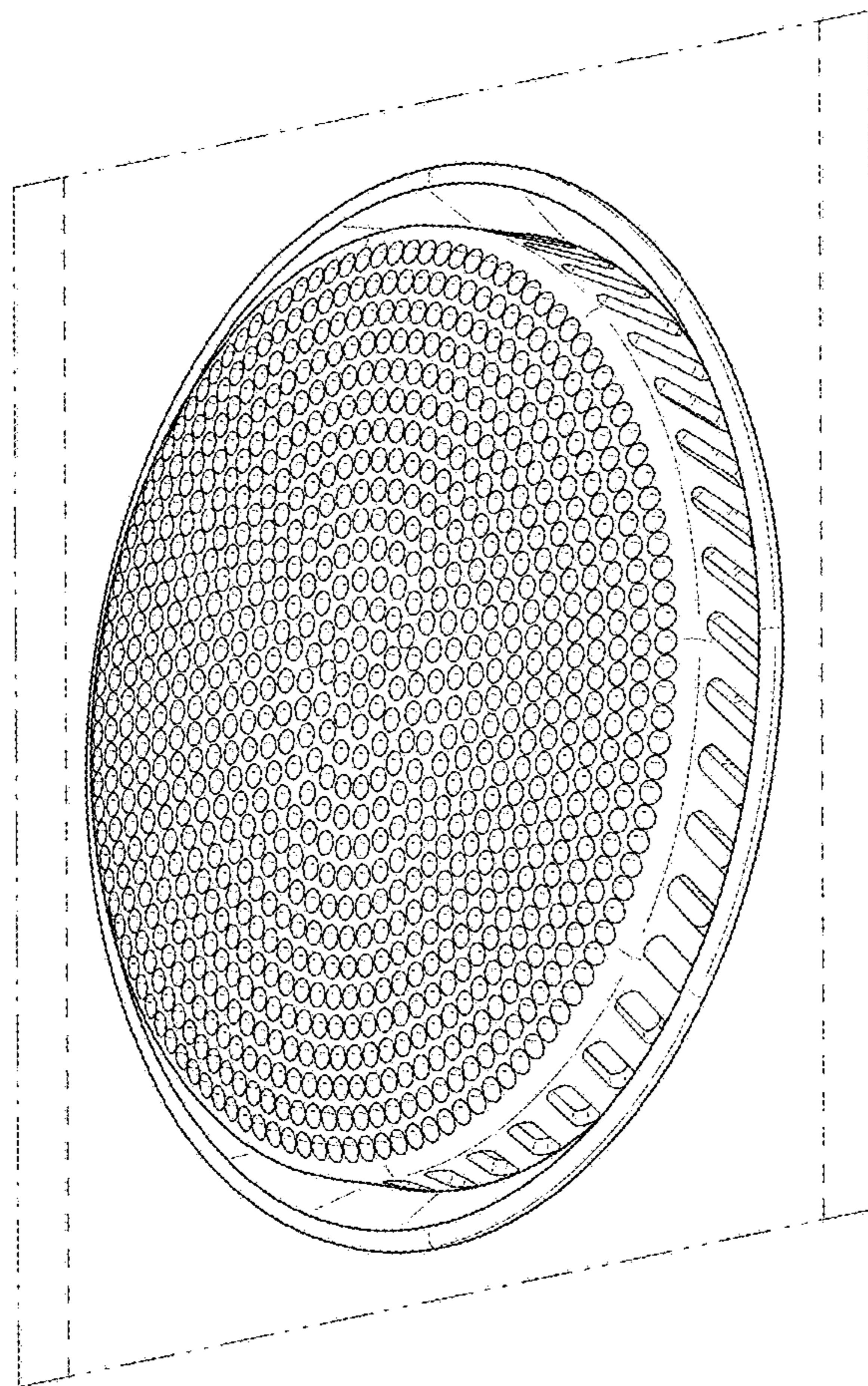


FIG. 11

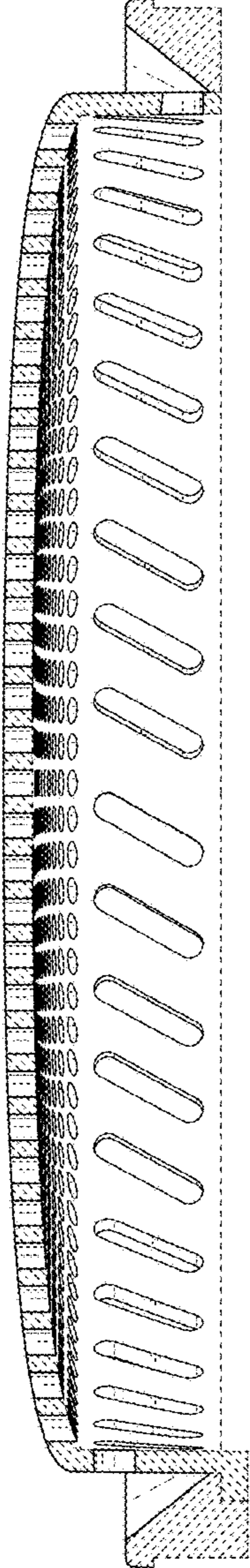


FIG. 12

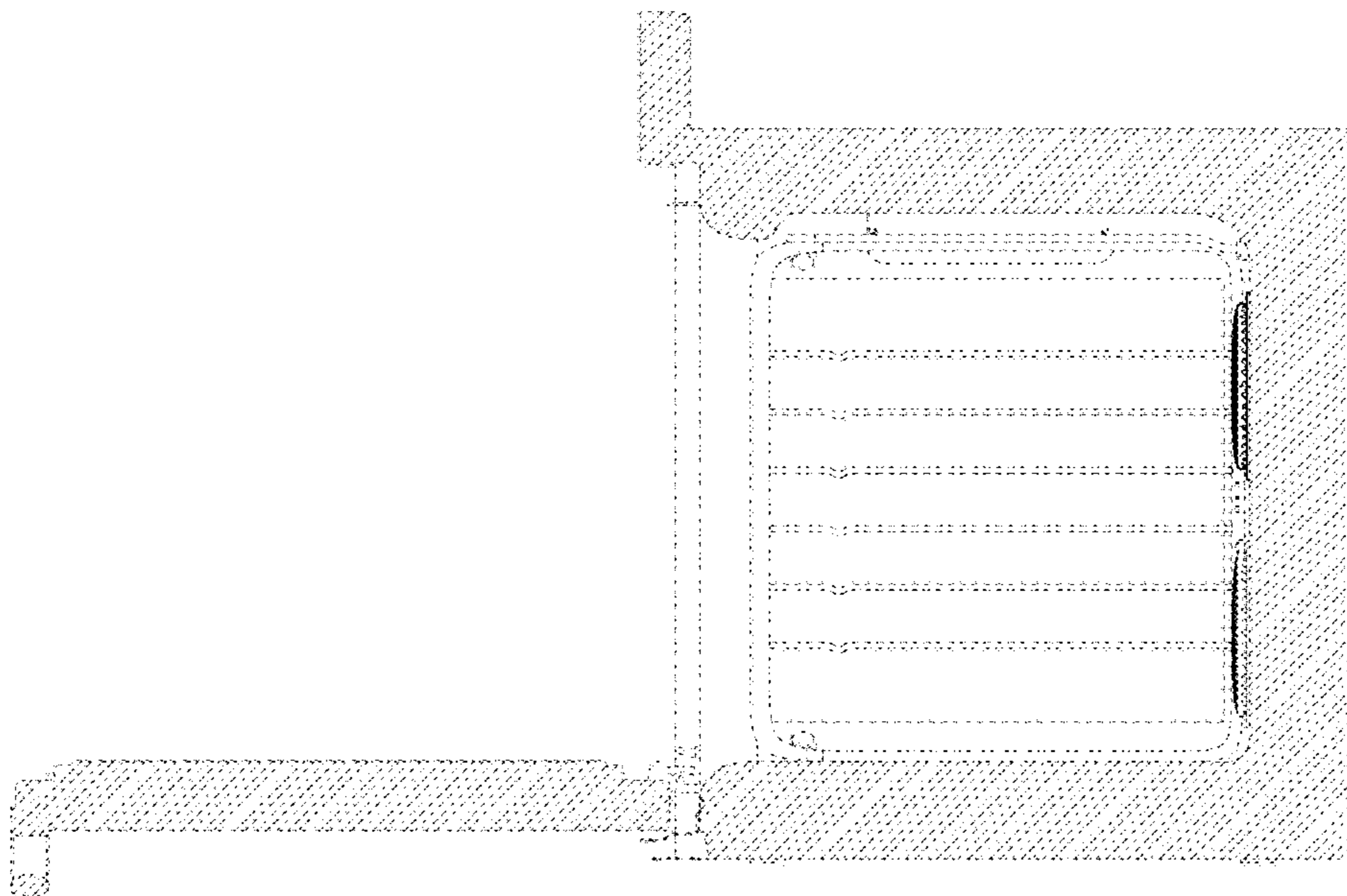


FIG. 13

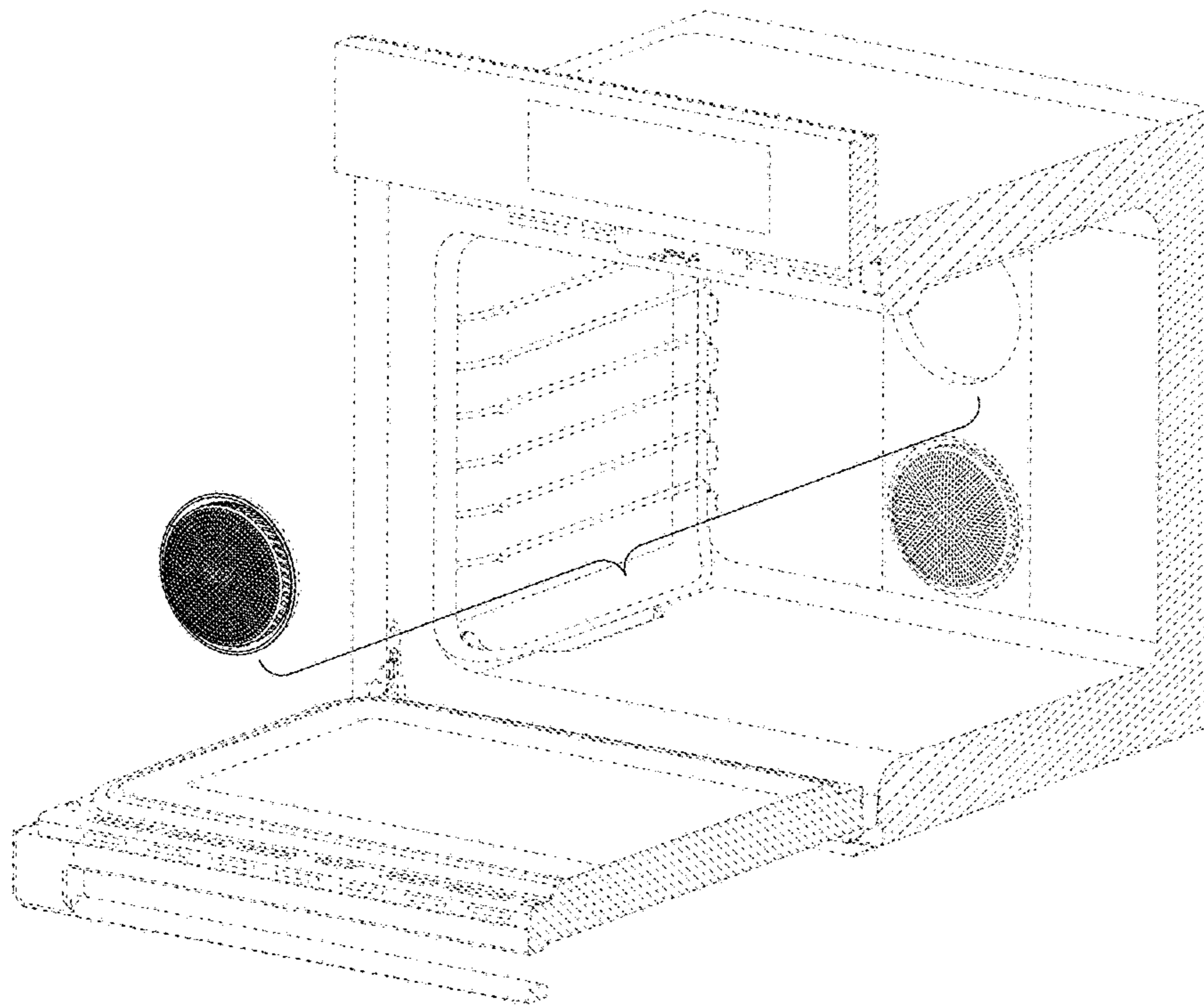


FIG. 14

