

US00D862161S

(12) **United States Design Patent** (10) **Patent No.:** **US D862,161 S**
Seo et al. (45) **Date of Patent:** **** Oct. 8, 2019**

(54) **OVEN**

D790,904 S * 7/2017 Sajjad D7/339
D790,905 S * 7/2017 Sajjad D7/339
2006/0102015 A1* 5/2006 Baker F24C 15/16
99/450

(71) Applicant: **Samsung Electronics Co., Ltd.**,
Suwon-si (KR)

(Continued)

(72) Inventors: **Hyeongju Seo**, Seoul (KR); **Selim Yoon**, Seongnam-si (KR); **Junkyo Lee**, Seongnam-si (KR); **Jongsu Jeon**, Seongnam-si (KR)

FOREIGN PATENT DOCUMENTS

EM 000640404-0004 2/2007
KR 30-2010-0009252 5/2011
KR 30-2011-0009924 10/2012

(73) Assignee: **Samsung Electronics Co., Ltd.**,
Suwon-si (KR)

Primary Examiner — Sheryl Lane
Assistant Examiner — Nicole C Shiflet

(**) Term: **15 Years**

(74) *Attorney, Agent, or Firm* — NSIP Law

(21) Appl. No.: **29/643,270**

(57) **CLAIM**

We claim the ornamental design for an oven, as shown and described.

(22) Filed: **Apr. 6, 2018**

DESCRIPTION

(30) **Foreign Application Priority Data**

Jan. 4, 2018 (KR) 30-2018-0000721

(51) **LOC (12) Cl.** **07-02**

(52) **U.S. Cl.**
USPC **D7/402**

(58) **Field of Classification Search**
USPC D7/402-407, 323, 346-349, 332, 351,
D7/350.1-350.4, 339-340
CPC .. F24C 3/002; F24C 3/00; F24C 15/02; F24C
7/00; F24C 5/00; H05B 1/0263; H05B
1/0261
See application file for complete search history.

FIG. 1 is a front perspective view of an oven showing our new design;
FIG. 2 is a front view thereof;
FIG. 3 is a rear view thereof;
FIG. 4 is a left-side view thereof;
FIG. 5 is a right-side view thereof;
FIG. 6 is a top view thereof;
FIG. 7 is a bottom view thereof;
FIG. 8 is a cross-sectional view taken through line 8-8 of FIG. 2;
FIG. 9 is a cross-sectional view taken through line 9-9 of FIG. 2;
FIG. 10 is a cross-sectional perspective view taken through line 10-10 of FIG. 2; and,
FIG. 11 is an enlarged view of a portion defined by lines 11-11 of FIG. 10.

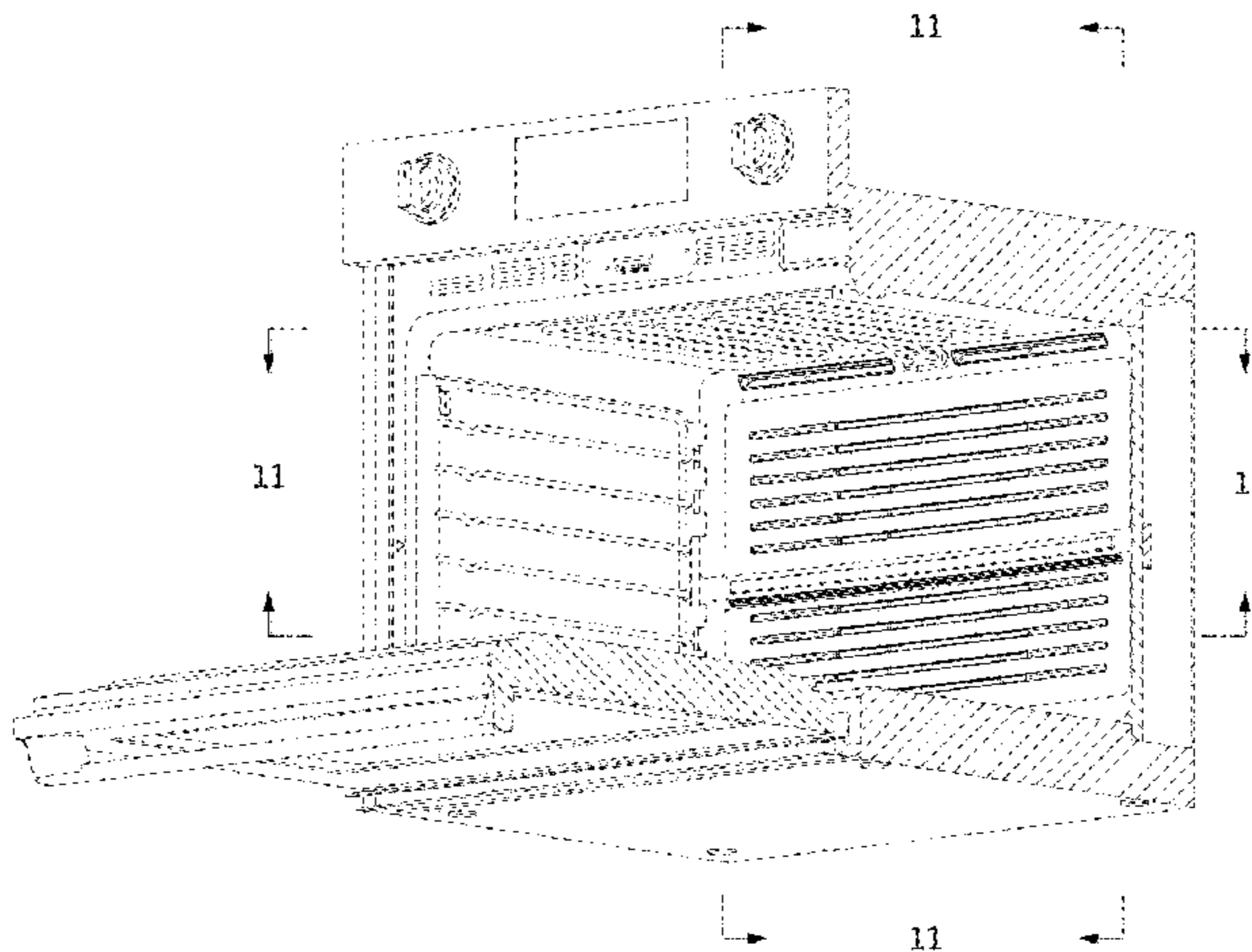
(56) **References Cited**

U.S. PATENT DOCUMENTS

2,851,575 A * 9/1958 Walston A47J 37/0688
126/25 A
D296,648 S * 7/1988 Faaborg D7/402
D580,211 S * 11/2008 Erikson D7/346
D704,497 S * 5/2014 Nordwall D7/346

The evenly spaced dashed broken lines in the figures depict portions of the oven that form no part of the claimed design. The dot-dot-dash broken lines in FIG. 11 surrounding portions of the claimed design that are illustrated in enlargements form no part of the claimed design.

1 Claim, 11 Drawing Sheets



(56)

References Cited

U.S. PATENT DOCUMENTS

2009/0071463 A1* 3/2009 Ebert F24C 15/008
126/273 R
2017/0000292 A1* 1/2017 Park H04N 5/2257
2017/0248321 A1* 8/2017 Khan F24C 15/02
2017/0261213 A1* 9/2017 Park F24C 7/085
2018/0163443 A1* 6/2018 Park E05C 3/16

* cited by examiner

FIG. 1

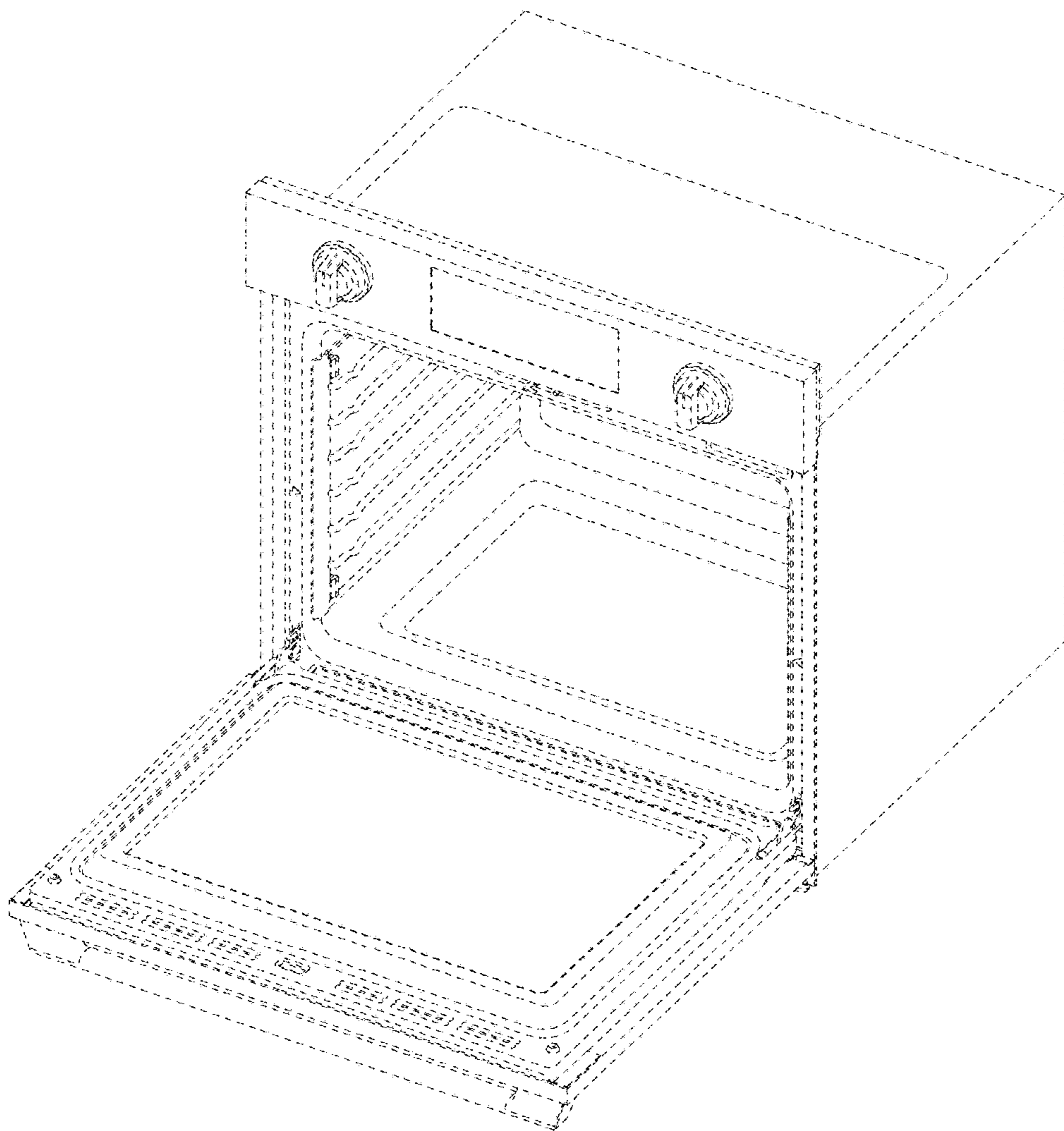


FIG. 2

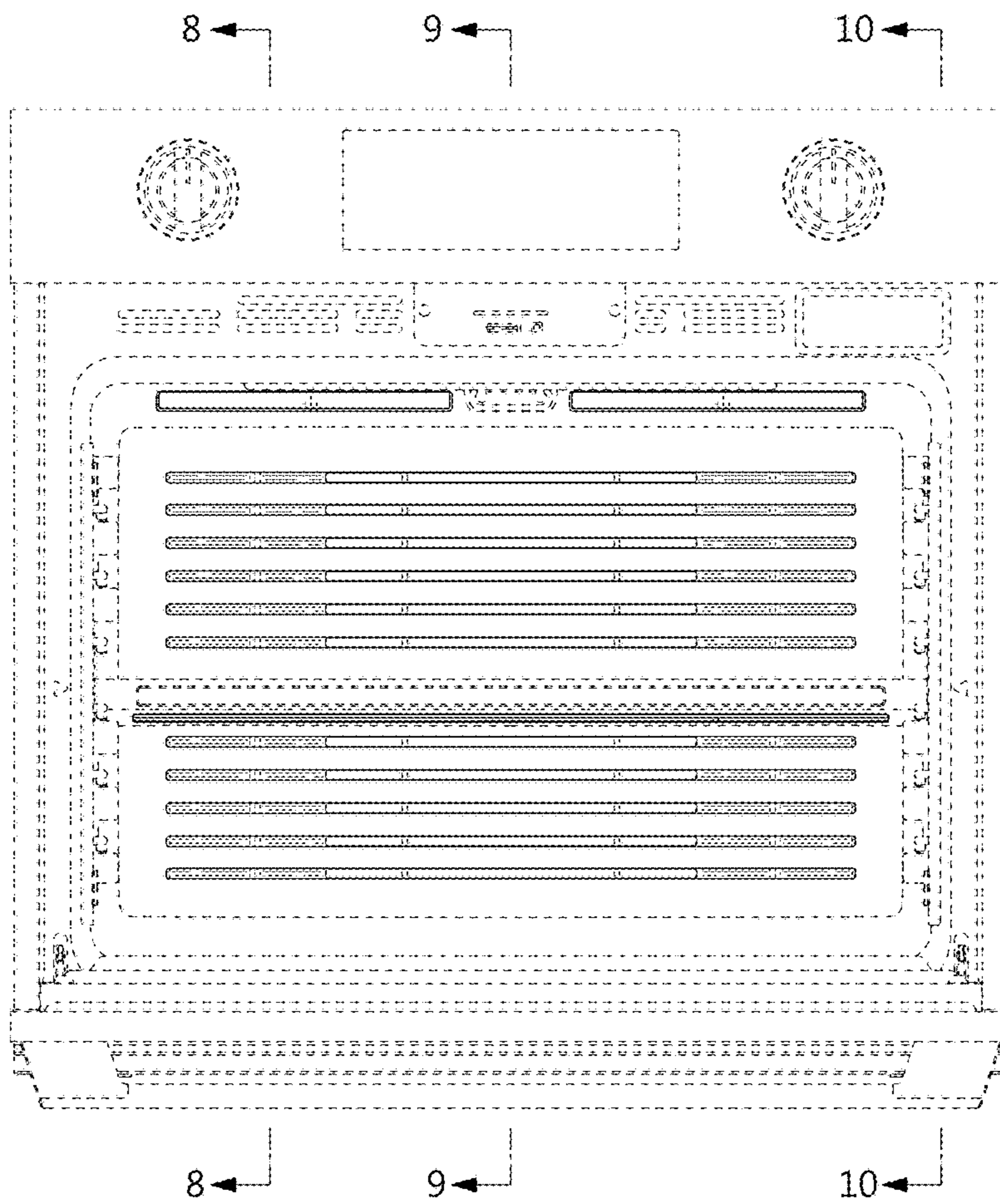


FIG. 3

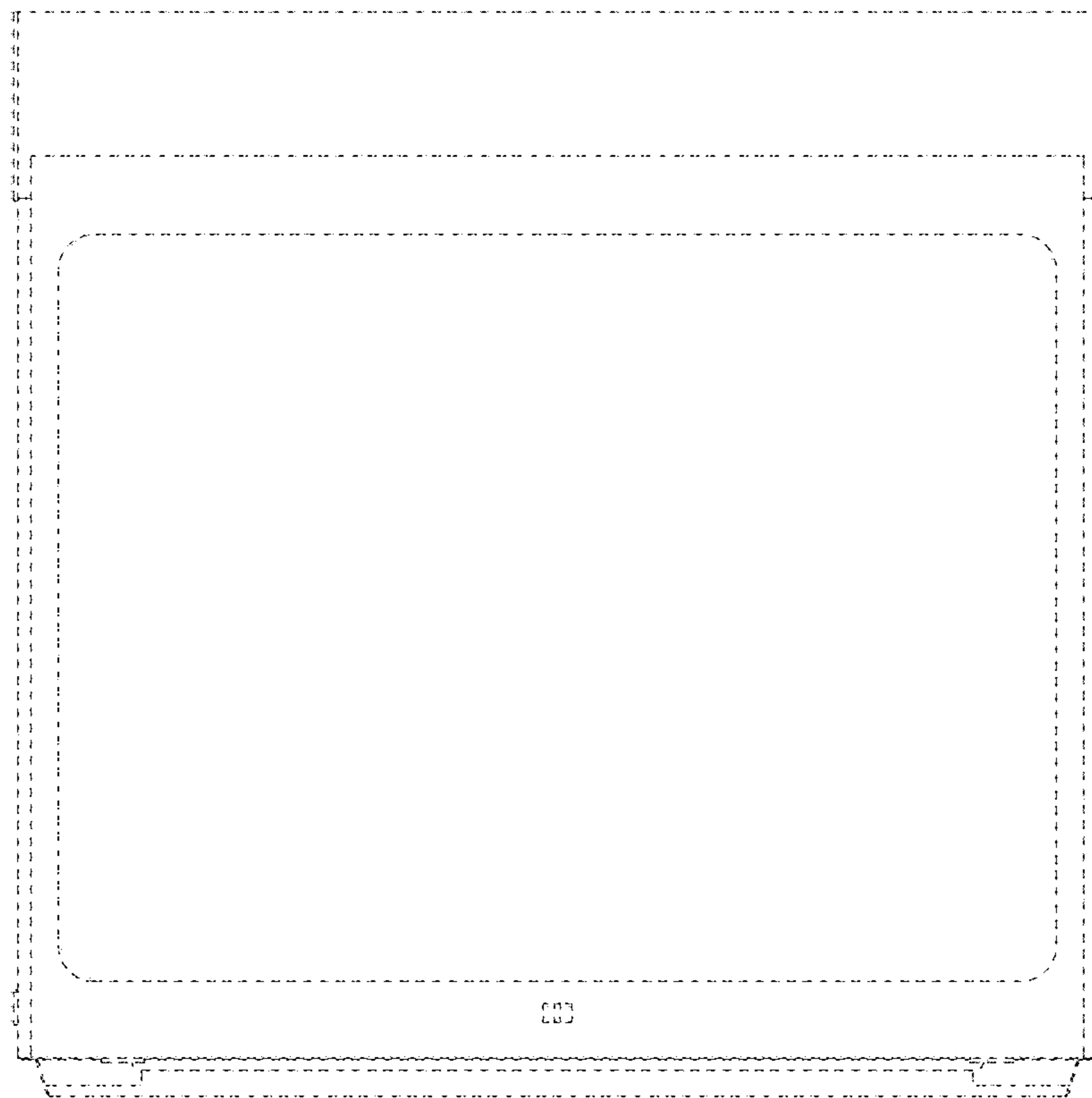
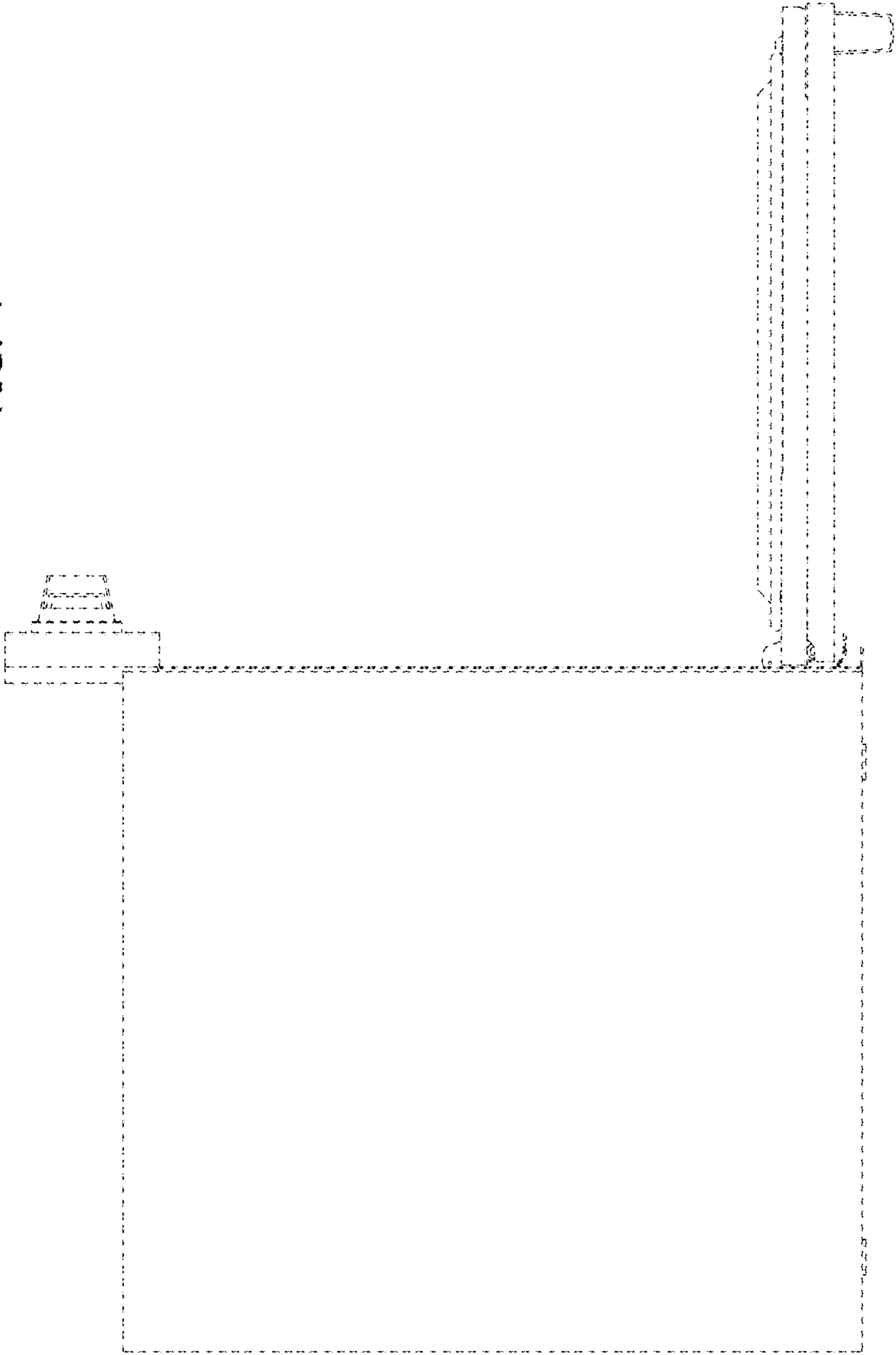


FIG. 4



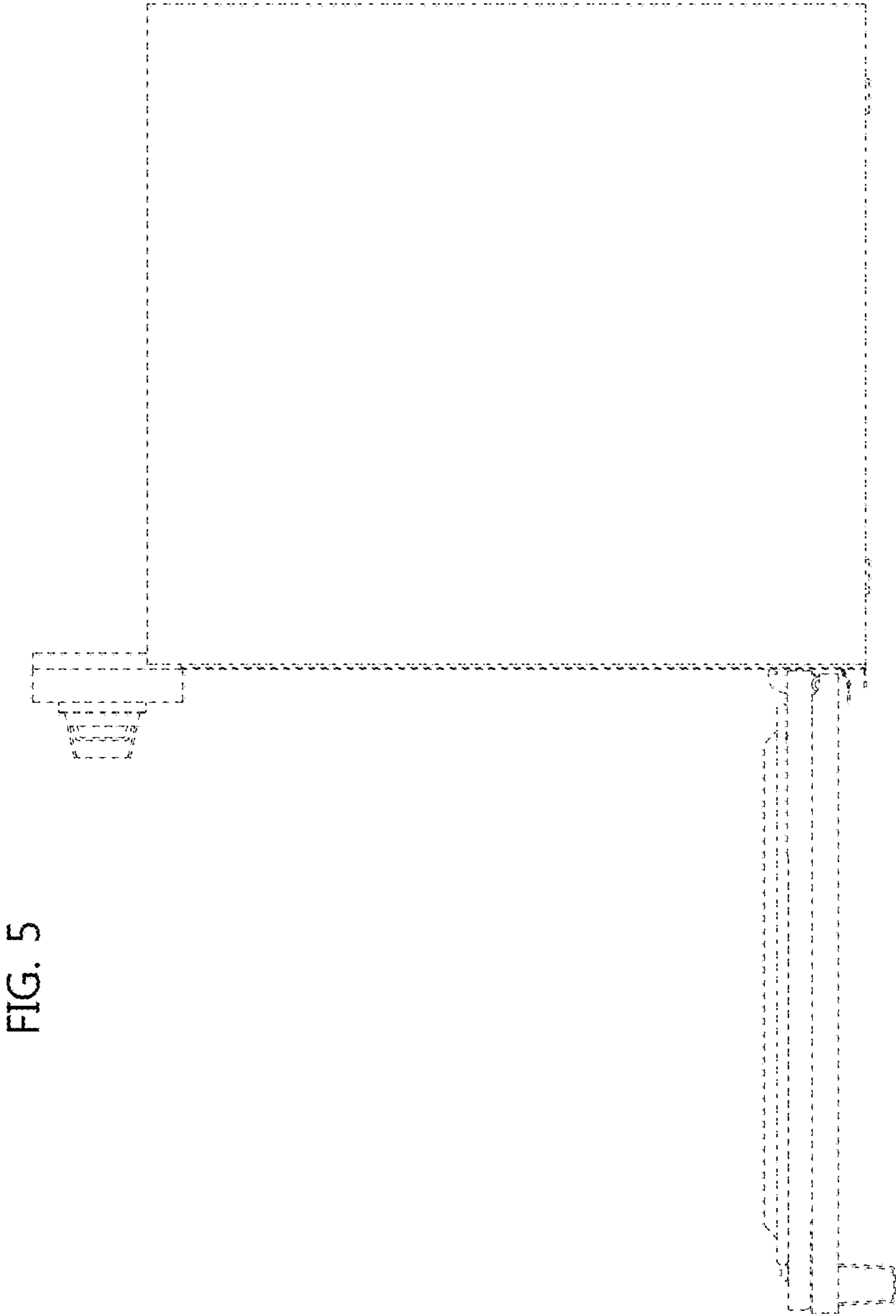


FIG. 5

FIG. 6

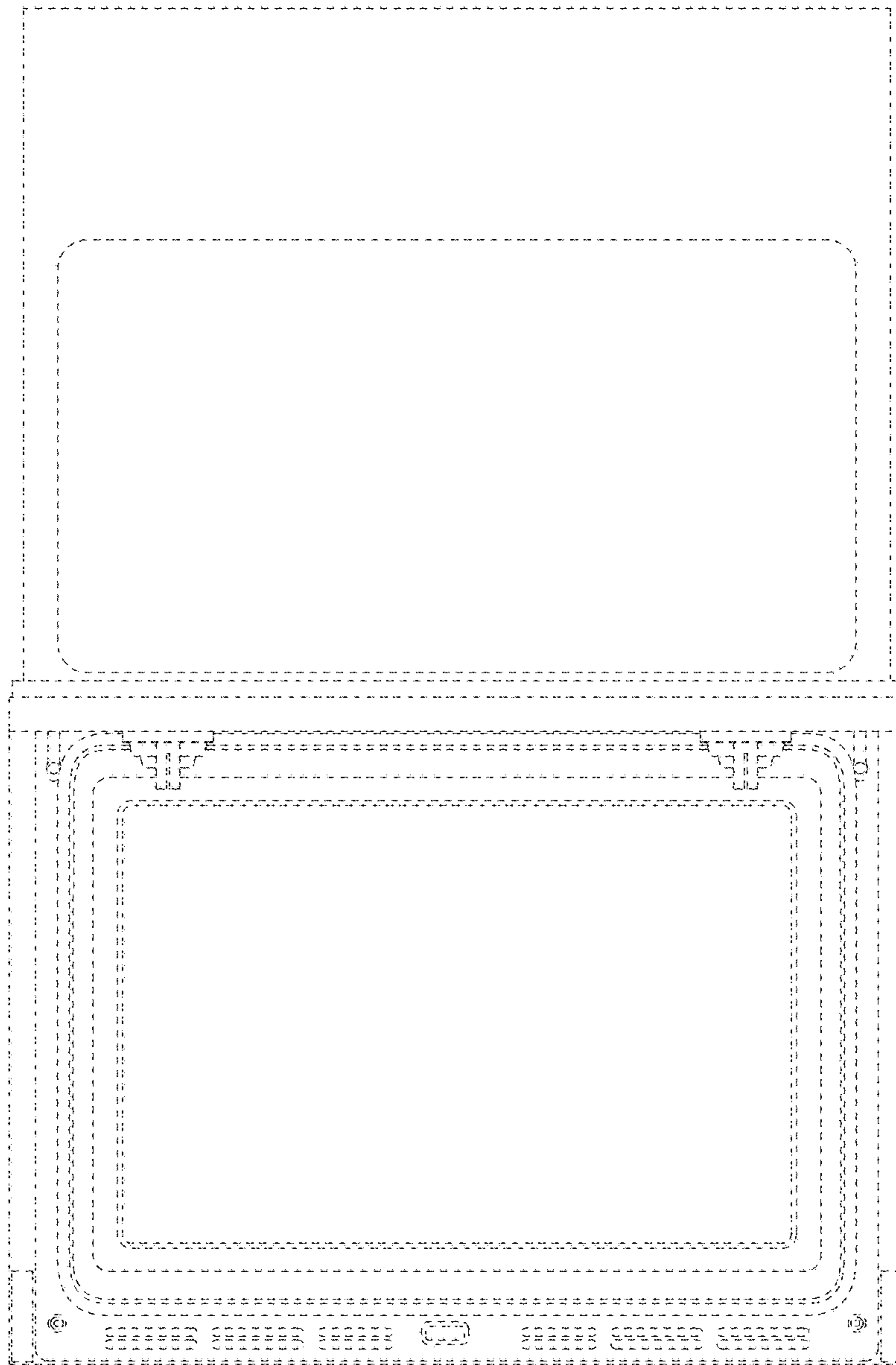
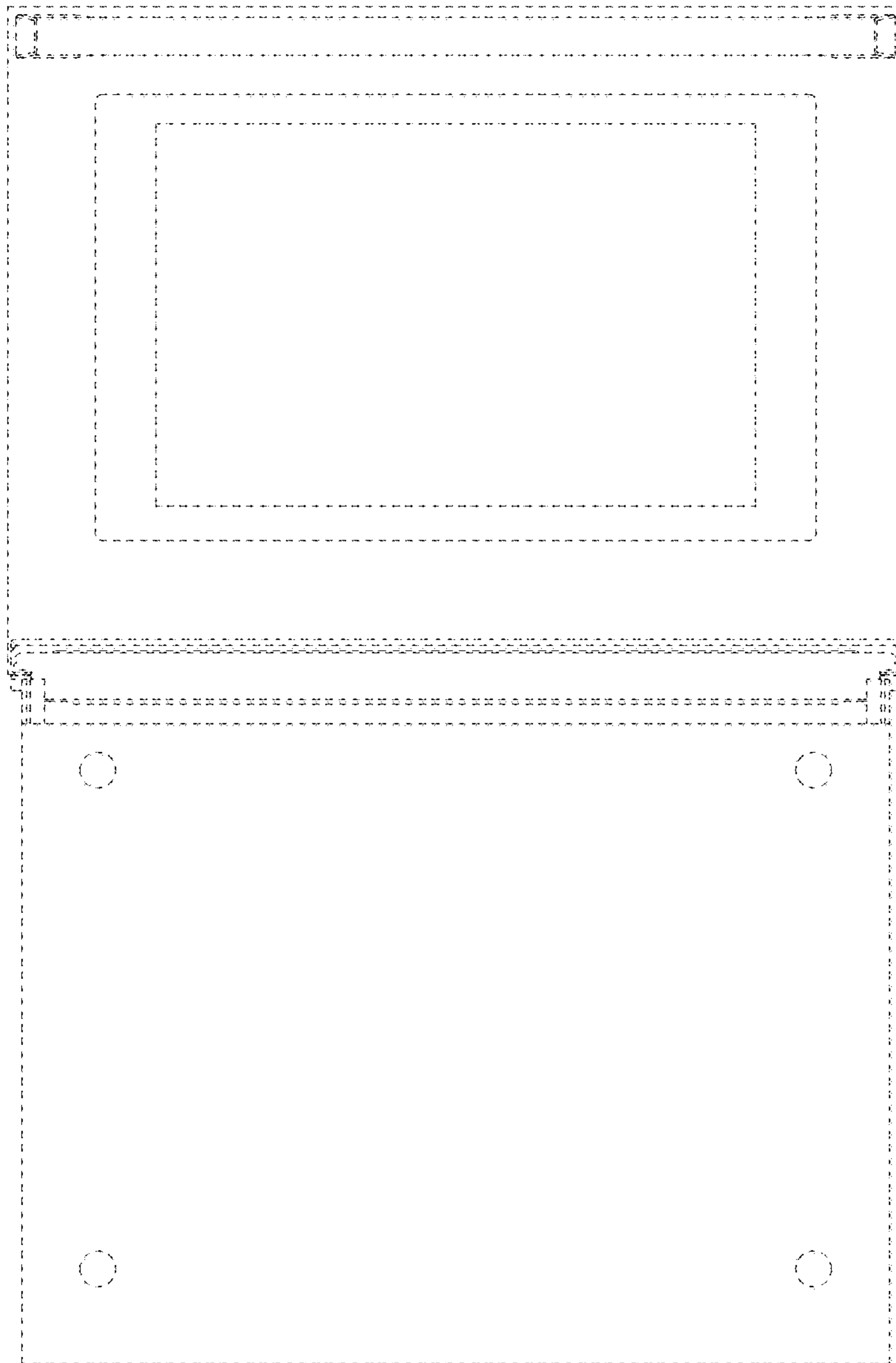


FIG. 7



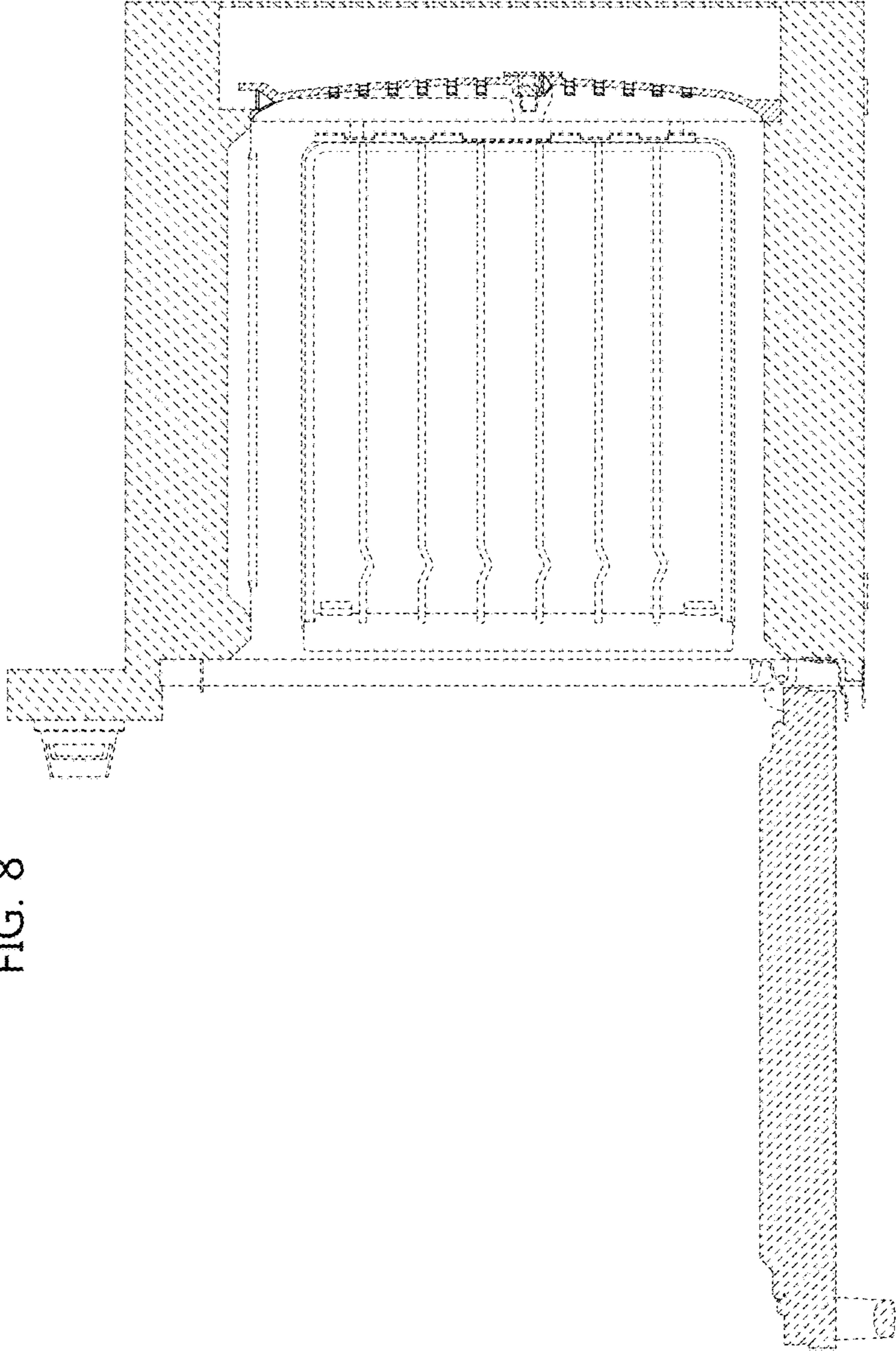


FIG. 8

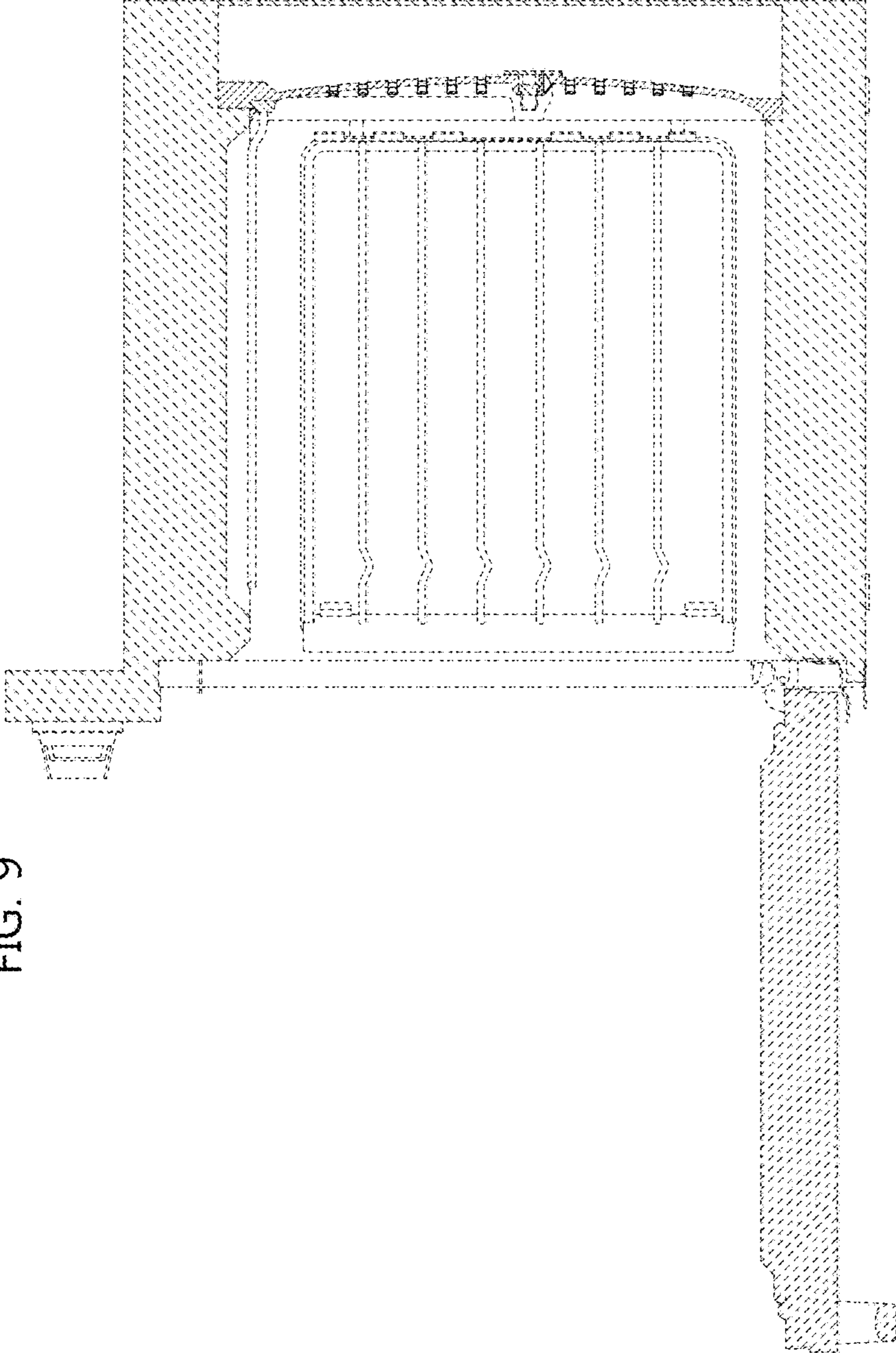


FIG. 9

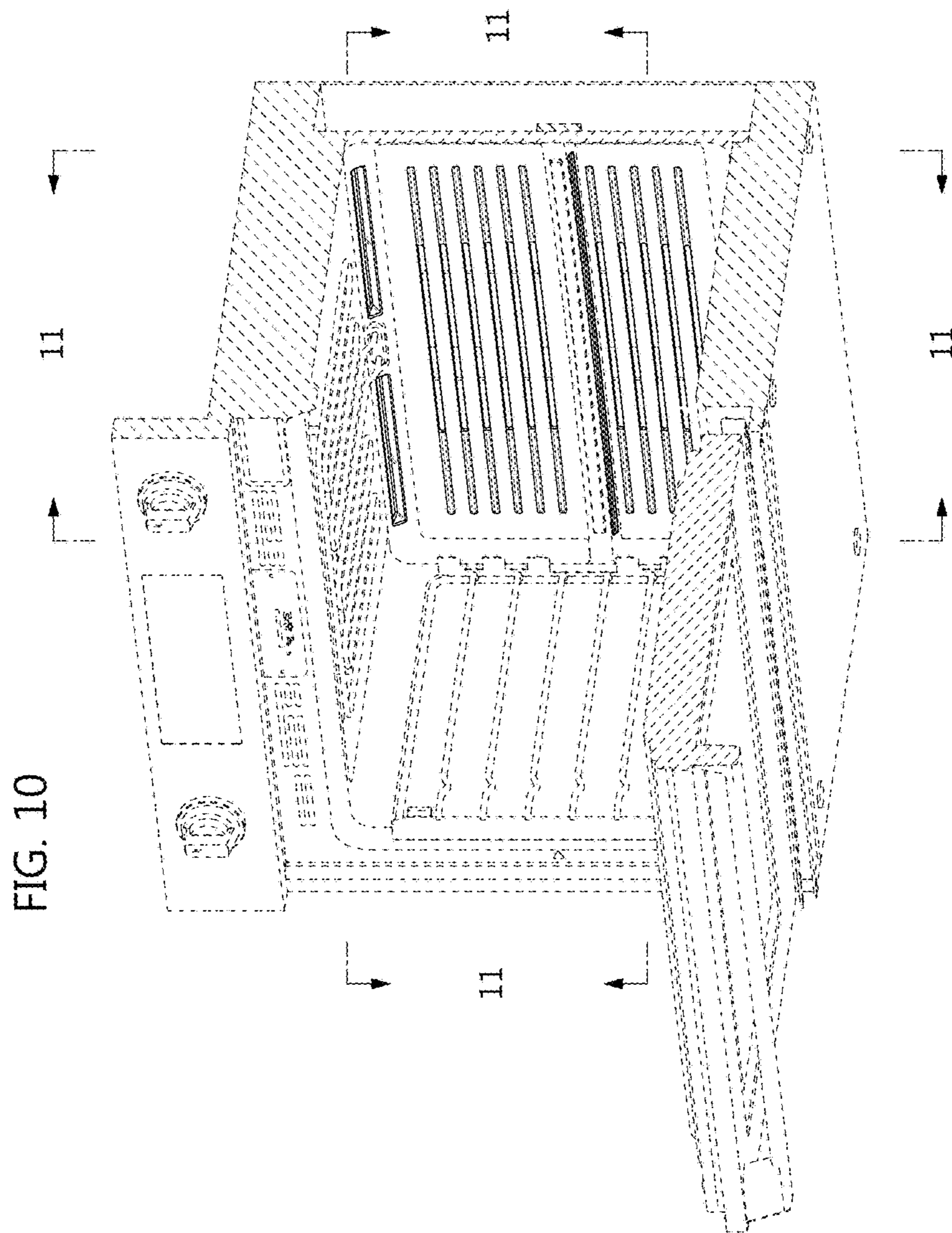


FIG. 11

