

US00D862160S

(12) **United States Design Patent** (10) **Patent No.:** **US D862,160 S**  
**McConnell et al.** (45) **Date of Patent:** **\*\* Oct. 8, 2019**

- (54) **KETTLE**
- (71) Applicant: **WHIRLPOOL CORPORATION**,  
Benton Harbor, MI (US)
- (72) Inventors: **John W. McConnell**, St. Joseph, MI  
(US); **Brandon T. Mock**, St. Joseph,  
MI (US); **Ben C. Shao**, Clarendon  
Hills, IL (US); **ZhaoYi Yin**, Benton  
Harbor, MI (US)
- (73) Assignee: **Whirlpool Corporation**, Benton  
Harbor, MI (US)
- (\*\*) Term: **15 Years**
- (21) Appl. No.: **29/666,639**
- (22) Filed: **Oct. 15, 2018**

- D390,743 S 2/1998 Saltet
  - D399,090 S 10/1998 Green
  - D411,404 S 6/1999 Littmann
  - D444,988 S 7/2001 Conran
  - D448,963 S 10/2001 Shim
  - D449,760 S 10/2001 Yeh
  - D454,025 S 3/2002 Kopczewski et al.
- (Continued)

**OTHER PUBLICATIONS**

Amazon, Breville BTM800XL One-Touch Tea Maker, first available May 18, 2010, <URL: <https://www.amazon.com/Breville-BTM800XL-One-Touch-Tea-Maker/dp/B003LNOPSG>> (8 pages).  
(Continued)

*Primary Examiner* — Derrick E Holland  
*Assistant Examiner* — Andrew Kerr  
 (74) *Attorney, Agent, or Firm* — Price Heneveld LLP

**Related U.S. Application Data**

- (63) Continuation of application No. 29/593,102, filed on Feb. 6, 2017, now Pat. No. Des. 834,884.
- (51) **LOC (12) Cl.** ..... **07-99**
- (52) **U.S. Cl.**  
USPC ..... **D7/399**
- (58) **Field of Classification Search**  
USPC ..... D7/316–321, 378, 384, 598, 600, 619.1,  
D7/622; D9/544, 545, 548, 549  
CPC ..... A47J 31/00; A47J 27/21; A47J 27/21008;  
A47J 27/21041; A47G 19/22  
See application file for complete search history.

(57) **CLAIM**

We claim the ornamental design for a kettle, as shown and described.

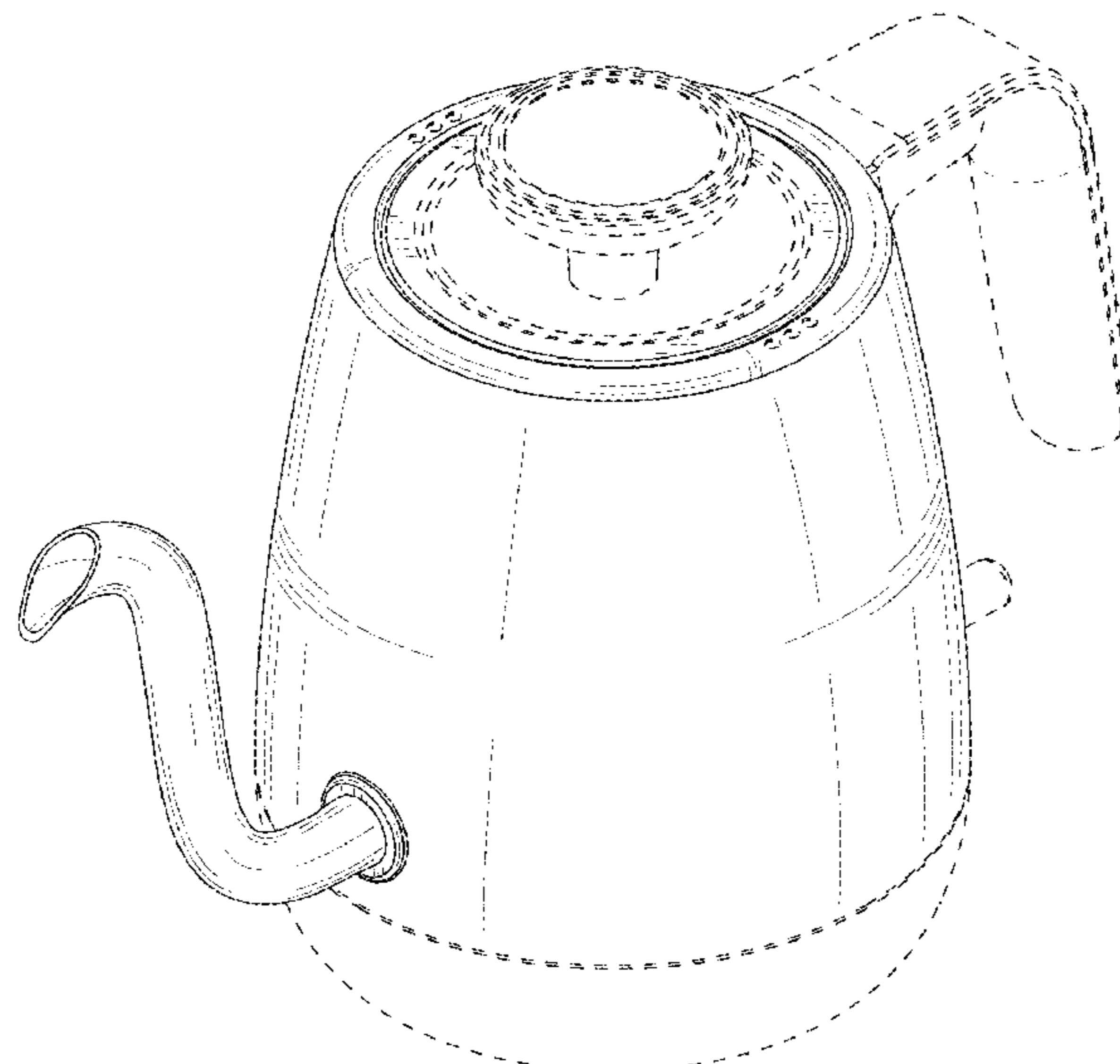
**DESCRIPTION**

FIG. 1 is a front perspective view of a kettle of the present disclosure;  
 FIG. 2 is a rear perspective view of the kettle of FIG. 1;  
 FIG. 3 is a front elevational view of the kettle of FIG. 1;  
 FIG. 4 is a rear elevational view of the kettle of FIG. 1;  
 FIG. 5 is a first side elevational view of the kettle of FIG. 1;  
 FIG. 6 is a second side elevational view of the kettle of FIG. 1; and  
 FIG. 7 is a top plan view of the kettle of FIG. 1; and,  
 FIG. 8 is a bottom plan view of the kettle of FIG. 1.  
 The broken lines in the drawing views represent unclaimed portions of a kettle, which are included for the purpose of illustrating unclaimed environment only, and forms no part of the claimed design.

(56) **References Cited**  
 U.S. PATENT DOCUMENTS

- D269,318 S 6/1983 Blanchard
- D269,585 S 7/1983 Phillips
- D272,884 S 3/1984 Seibel
- D282,810 S 3/1986 Urich
- D375,016 S 10/1996 Ullmann

**1 Claim, 8 Drawing Sheets**



(56)

References Cited

U.S. PATENT DOCUMENTS

6,355,911 B2 \* 3/2002 Chan ..... A47J 27/21  
116/227  
D478,767 S 8/2003 Lebowitz  
D490,641 S 6/2004 Lebowitz  
6,755,120 B1 \* 6/2004 Lin ..... A47G 19/14  
222/465.1  
D497,511 S 10/2004 Lebowitz  
D498,384 S 11/2004 McWilliam  
D501,355 S 2/2005 Graves et al.  
D502,838 S 3/2005 Ancona  
D527,940 S 9/2006 Cohen  
D541,100 S 4/2007 Lebowitz  
D554,425 S 11/2007 Schwamkrug  
D573,394 S 7/2008 Tullney et al.  
D574,657 S 8/2008 Lebowitz  
D574,658 S 8/2008 Grund et al.  
D574,659 S 8/2008 Lebowitz  
D574,660 S 8/2008 Grund et al.  
D577,944 S 10/2008 Spiegel  
D581,718 S 12/2008 Verdun  
D598,235 S 8/2009 Cozolino  
D602,304 S 10/2009 Elissen  
D620,303 S 7/2010 Mondragon et al.  
D626,780 S 11/2010 Gatto  
D630,882 S 1/2011 Cohen  
D638,248 S 5/2011 Lebowitz et al.  
D642,005 S 7/2011 Geissler et al.  
D643,241 S 8/2011 McCormick et al.  
D646,520 S 10/2011 Collinson  
D646,522 S 10/2011 Collinson  
D653,896 S 2/2012 Wilt  
D655,124 S 3/2012 Schenk  
D663,163 S 7/2012 Dick et al.  
D663,567 S 7/2012 Littmann et al.  
D668,095 S 10/2012 Green et al.

D680,792 S 4/2013 Bodum  
D682,601 S 5/2013 Grasselli et al.  
D683,997 S 6/2013 Sehdev  
D683,998 S 6/2013 Sehdev  
D686,864 S 7/2013 Poul et al.  
D688,506 S 8/2013 Steiner  
D691,417 S 10/2013 Dichraff et al.  
D703,479 S 4/2014 Norland et al.  
D713,669 S 9/2014 Norland et al.  
D714,581 S 10/2014 Shao  
D714,582 S 10/2014 Norland et al.  
D714,586 S 10/2014 Grasselli et al.  
D718,974 S 12/2014 De'Longhi et al.  
D720,176 S 12/2014 Norland et al.  
D726,486 S 4/2015 Averty  
D727,675 S 4/2015 Garvey  
D731,226 S 6/2015 Sun  
D747,130 S 1/2016 Kunz  
D784,063 S 4/2017 Bond et al.  
D788,511 S 6/2017 Powell  
D796,246 S 9/2017 Thurlow  
D828,070 S \* 9/2018 Wastney ..... D7/321  
2004/0149729 A1 8/2004 Kressmann  
2012/0145698 A1 \* 6/2012 Von Seidel ..... A47J 27/21016  
219/438

OTHER PUBLICATIONS

Inspired2Cook, My New Tea Kettle, posted on Oct. 31, 2008, <URL: <http://www.inspired2cook.com/2008/10/31/my-new-tea-kettle/>> (5 pages).  
Amazon, Cuisinart PTK-330W PerfecTemp Tea kettle, first available Aug. 1, 2008, <URL: [https://www.amazon.com/Cuisinart-PTK-330W-PerfecTemp-Porcelain-Teakettle/dp/800101IH2S/ref=br\\_if\\_m\\_wx3d3ar7qywe6po\\_ttl?\\_encoding=UTF8&s=kitchen](https://www.amazon.com/Cuisinart-PTK-330W-PerfecTemp-Porcelain-Teakettle/dp/800101IH2S/ref=br_if_m_wx3d3ar7qywe6po_ttl?_encoding=UTF8&s=kitchen)> (7 pages).

\* cited by examiner

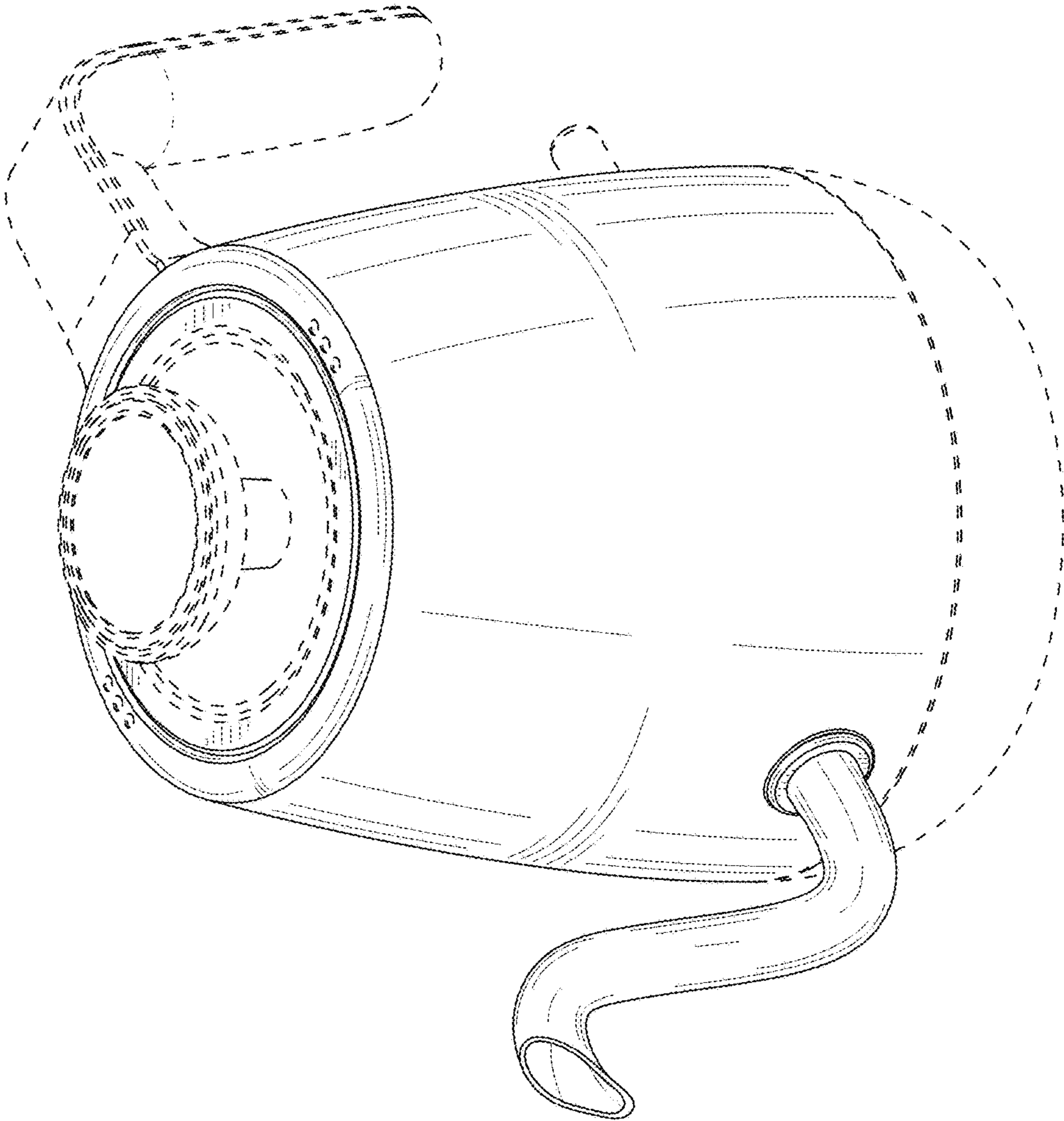


FIG. 1

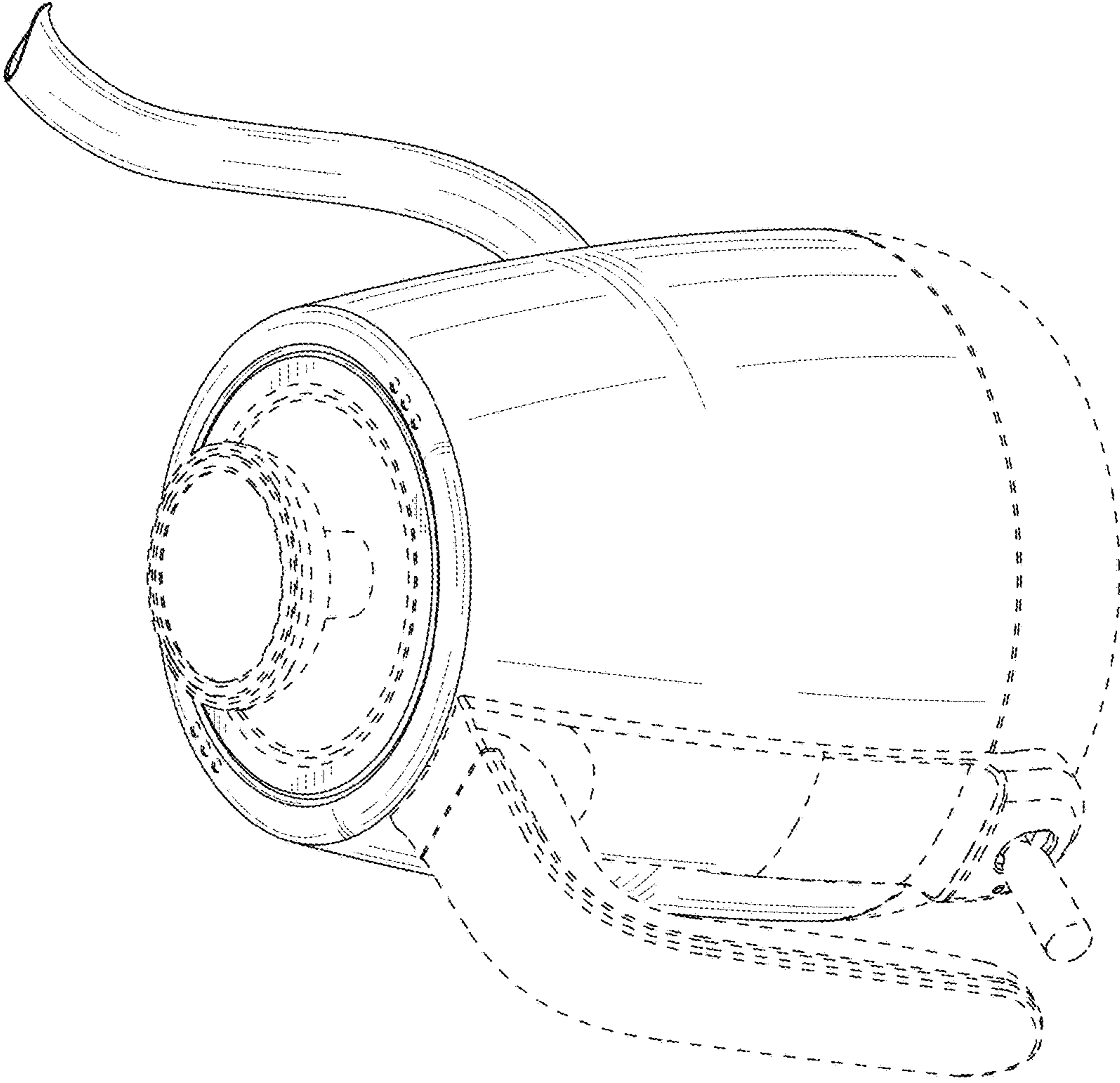


FIG. 2

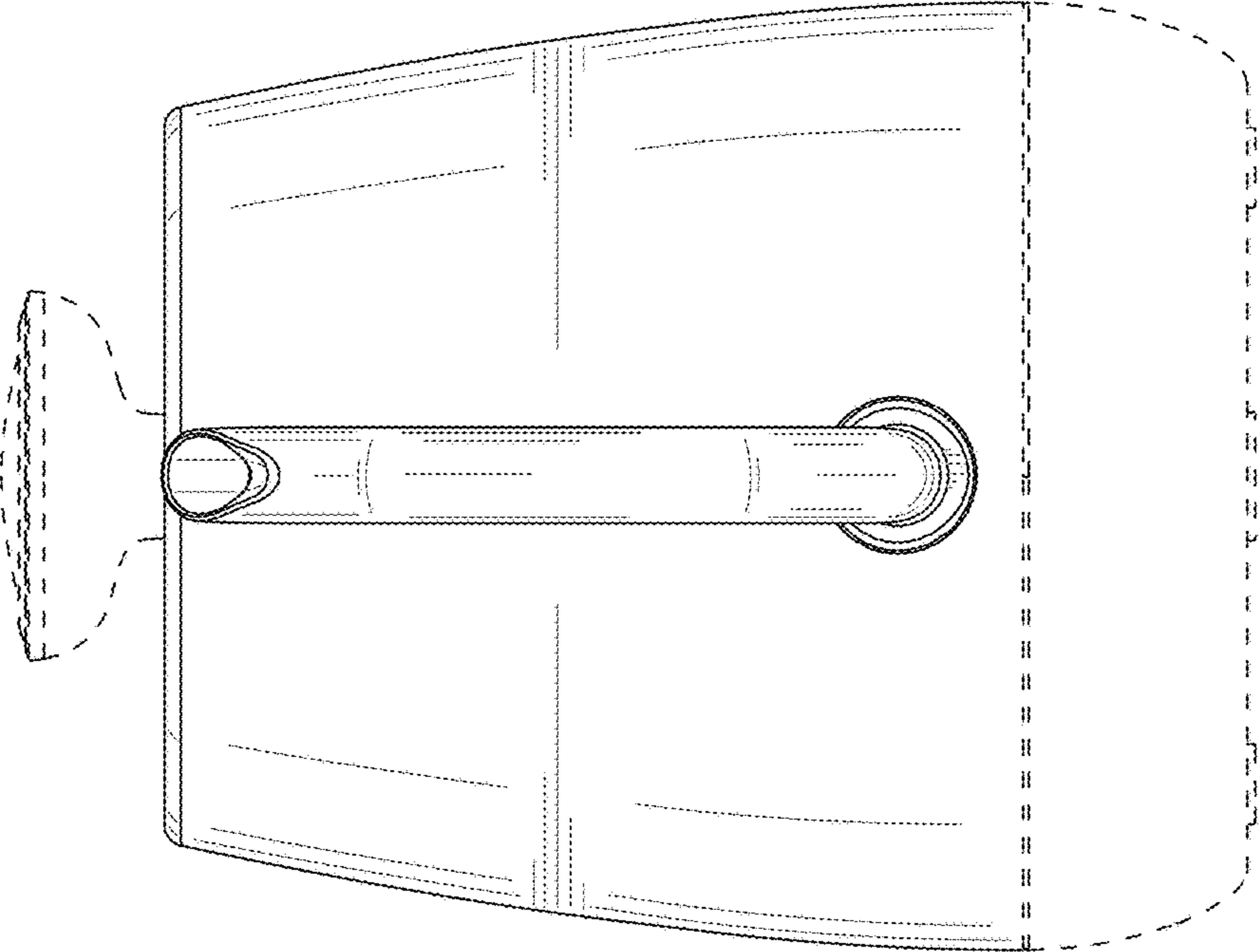


FIG. 3

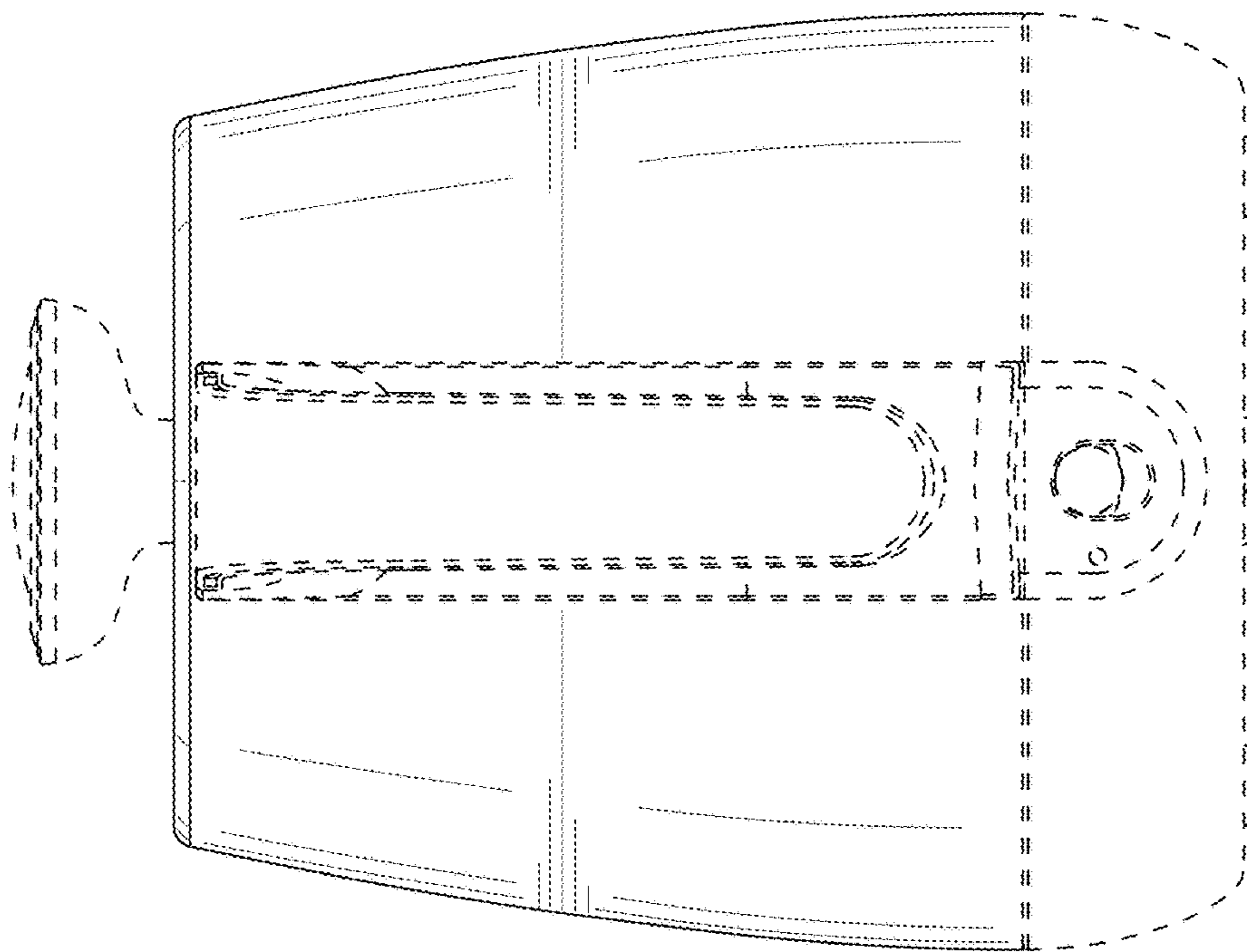


FIG. 4

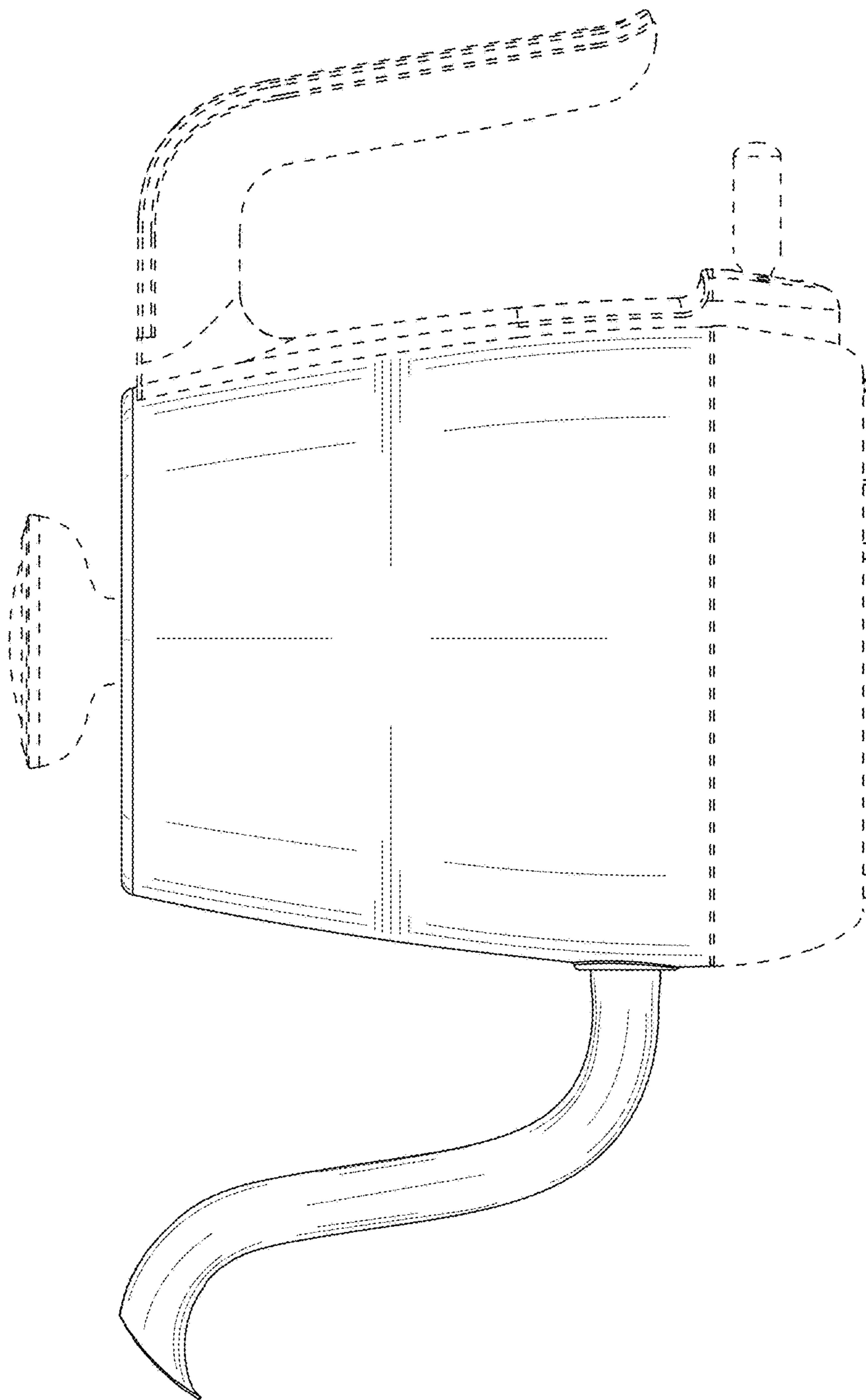


FIG. 5

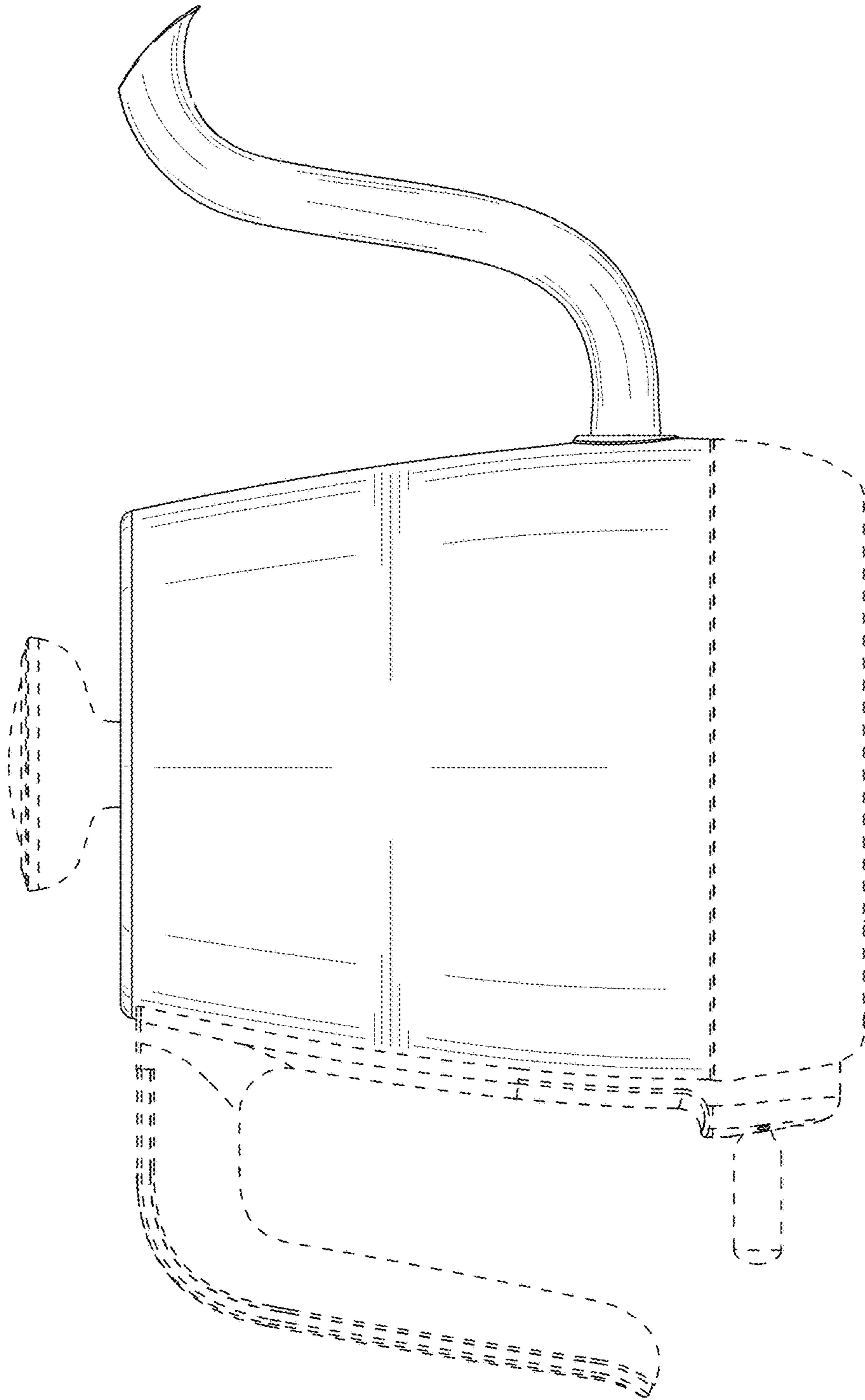


FIG. 6



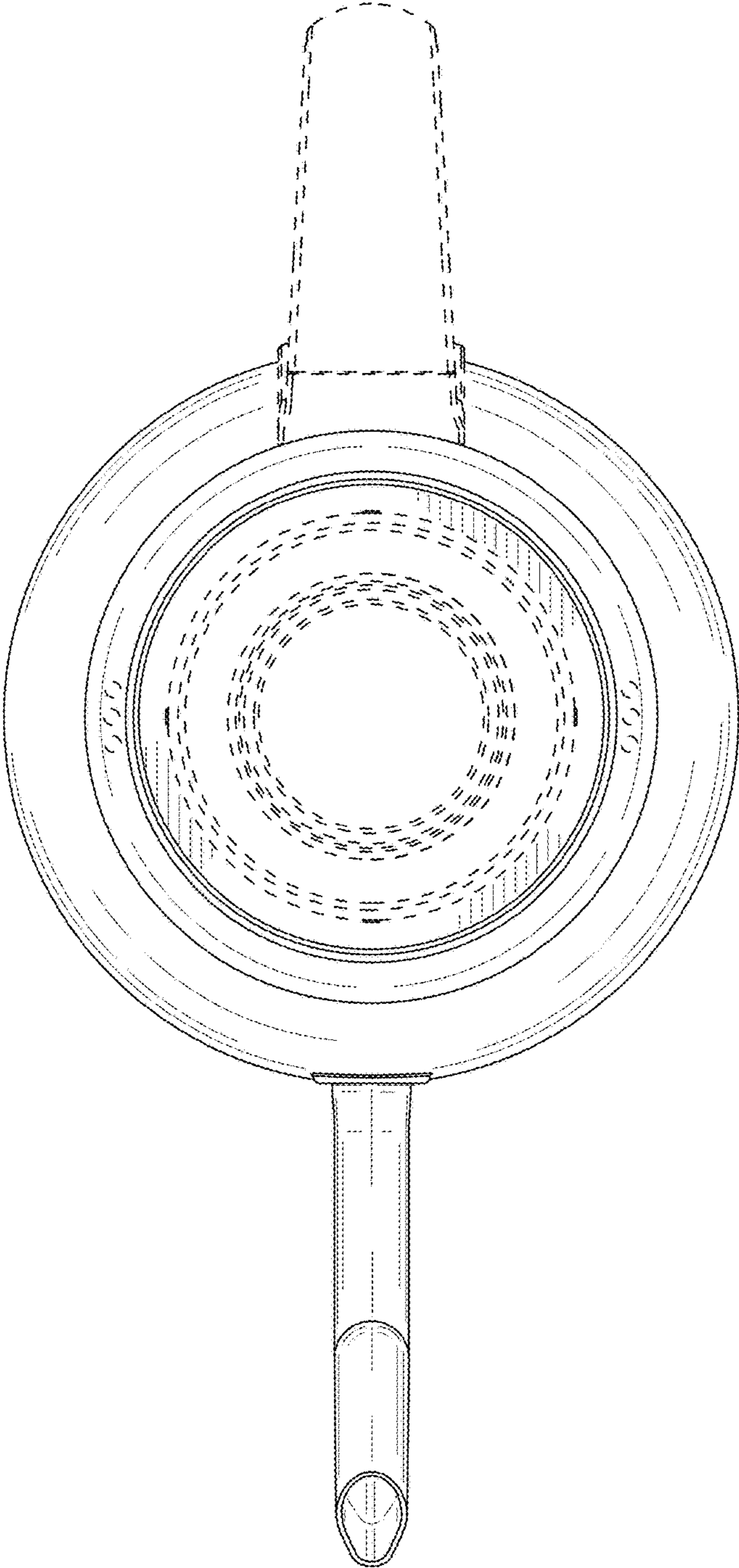


FIG. 7

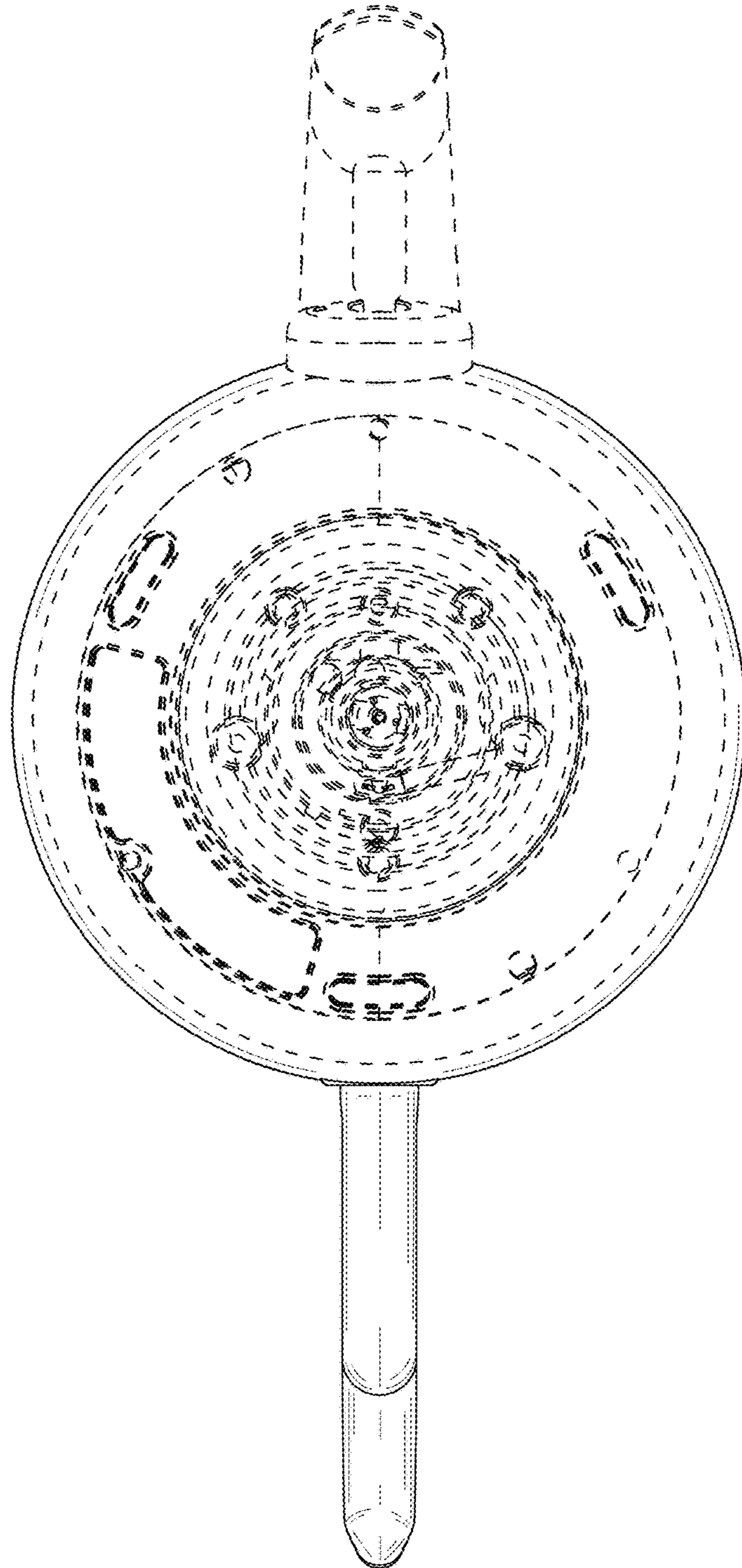


FIG. 8