



US00D862159S

(12) **United States Design Patent**
Poul et al.

(10) **Patent No.:** **US D862,159 S**

(45) **Date of Patent:** **** Oct. 8, 2019**

(54) **LIQUID DISPENSER**
(71) Applicant: **Wine Accents, LLC**, Duluth, MN (US)
(72) Inventors: **Gregory Poul**, Mahtomedi, MN (US);
Thomas Wendt, Colfax, WI (US)
(73) Assignee: **Wine Accents, LLC**, Duluth, MN (US)
(**) Term: **15 Years**

(21) Appl. No.: **29/621,839**
(22) Filed: **Oct. 11, 2017**
(51) **LOC (12) Cl.** **07-99**
(52) **U.S. Cl.**
USPC **D7/398**
(58) **Field of Classification Search**
USPC D7/387, 393, 395, 397, 398; D23/213,
D23/223, 226; D8/300, 303, 307, 308,
D8/309, 321; D4/129, 138; D28/21, 30,
D28/34
CPC ... B05B 7/02; B05B 7/025; E05B 1/00; E05B
1/003; Y10T 16/44; Y10T 16/458; Y10T
16/473; Y10T 16/476
See application file for complete search history.

(56) **References Cited**
U.S. PATENT DOCUMENTS
D258,677 S * 3/1981 Larsson D23/223
8,166,845 B2 * 5/2012 Liu B62K 23/06
74/523
D783,125 S * 4/2017 Chen D23/226
D784,788 S * 4/2017 Weng D8/308
D786,402 S * 5/2017 Rose D23/226
D791,916 S * 7/2017 Rose D23/226

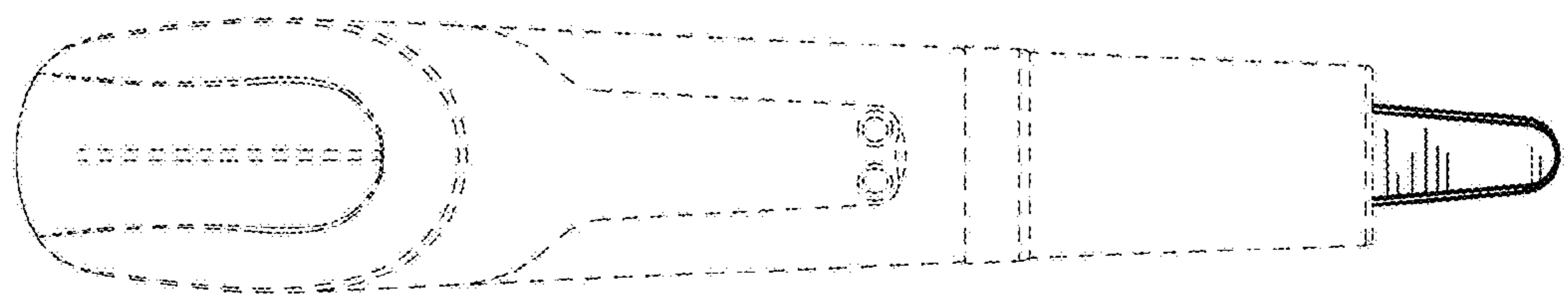
D793,838 S * 8/2017 Le D8/302
D828,087 S * 9/2018 Munari D7/395
D828,741 S * 9/2018 Shargh D8/308
D832,034 S * 10/2018 Munari D7/395
D833,215 S * 11/2018 Gonzalez D7/395
D834,835 S * 12/2018 Lee D4/138
2010/0269622 A1 * 10/2010 Liu B62K 23/06
74/501.6
2015/0336628 A1 * 11/2015 Miyazaki B62K 23/06
74/551.9

* cited by examiner
Primary Examiner — Derrick E Holland
Assistant Examiner — Andrew Kerr
(74) *Attorney, Agent, or Firm* — Skaar Ulbrich Macari,
P.A.

(57) **CLAIM**
We claim the ornamental design for a liquid dispenser, as
shown and described.

DESCRIPTION
FIG. 1 is a top view of a liquid dispenser showing the
claimed design.
FIG. 2 is a side view of the liquid dispenser of FIG. 1. The
opposing side view is a mirror image of FIG. 2.
FIG. 3 is a bottom view of the liquid dispenser of FIG. 1.
FIG. 4 is a perspective view of the liquid dispenser of FIG.
1.
FIG. 5 is a front view of the liquid dispenser of FIG. 1; and,
FIG. 6 is a rear view of the liquid dispenser of FIG. 1.
The broken lines in the drawing views represent environ-
mental structure and form no part of the claimed design.

1 Claim, 4 Drawing Sheets



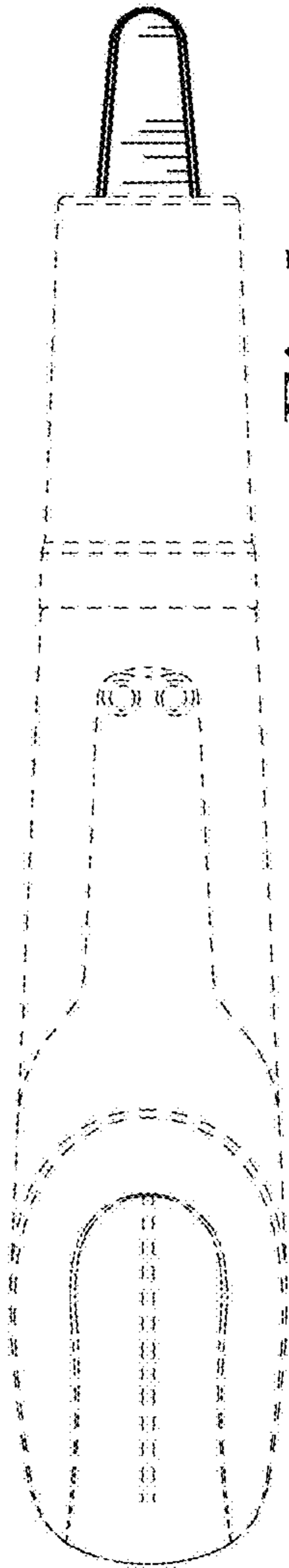


Fig 1

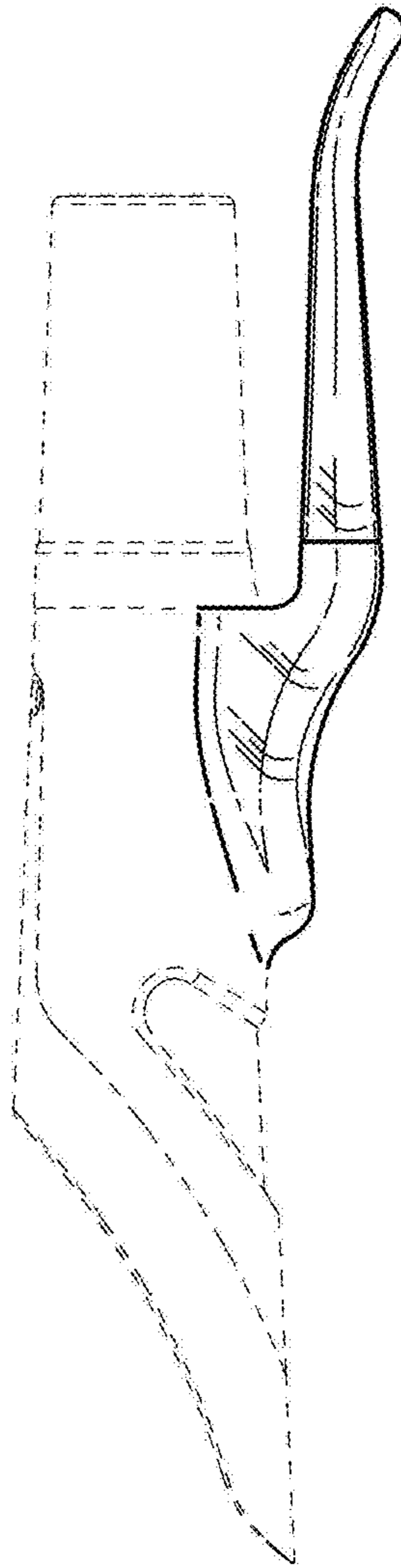


Fig 2

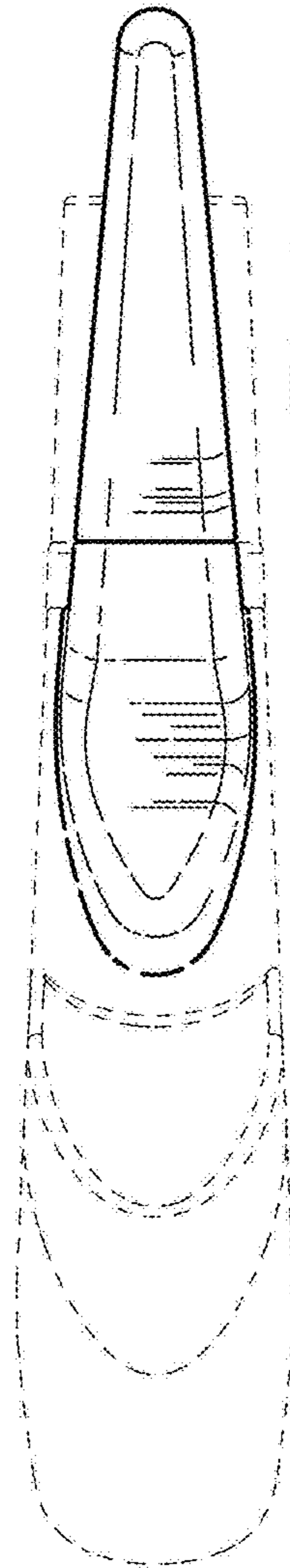


Fig 3

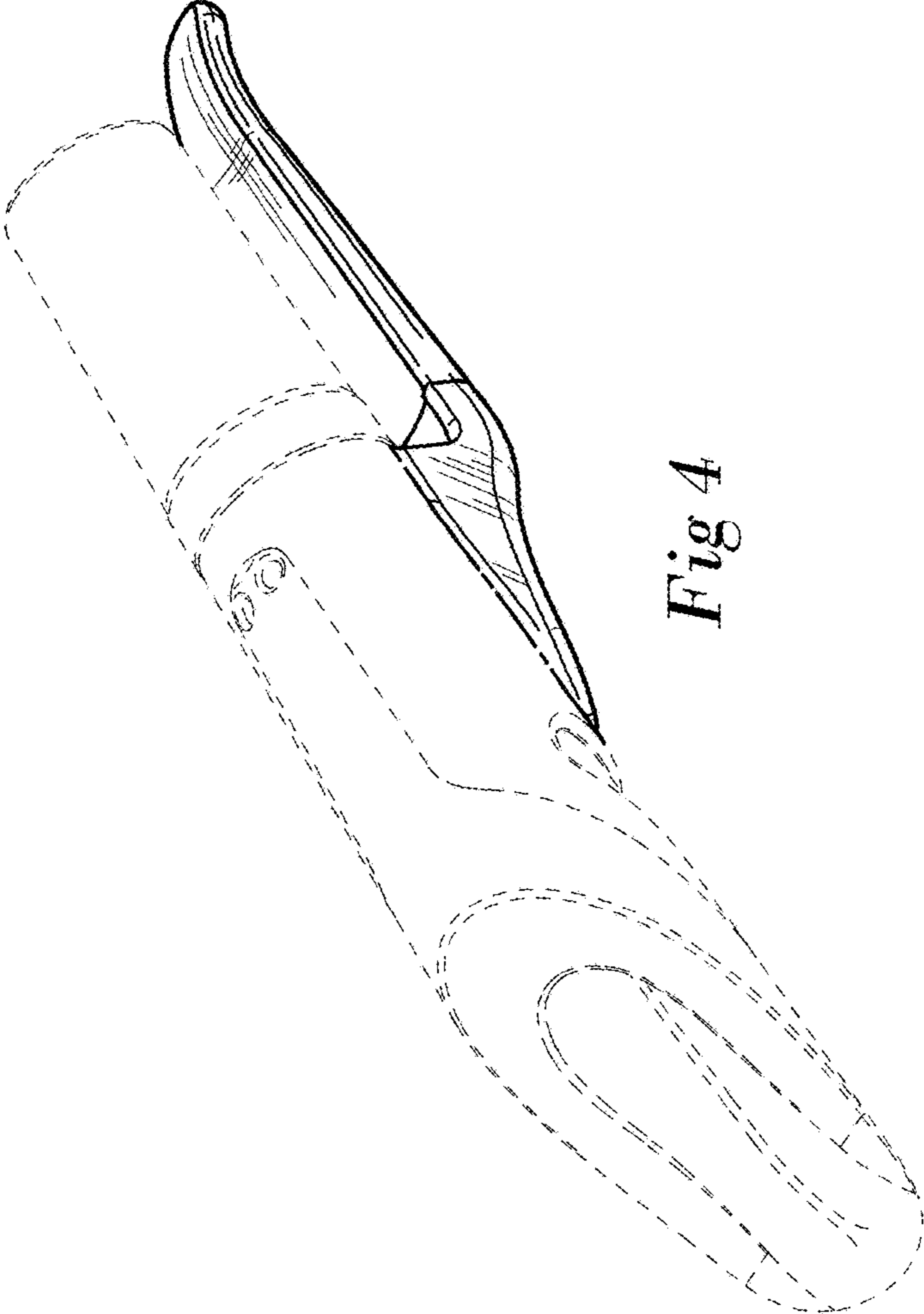


Fig 4

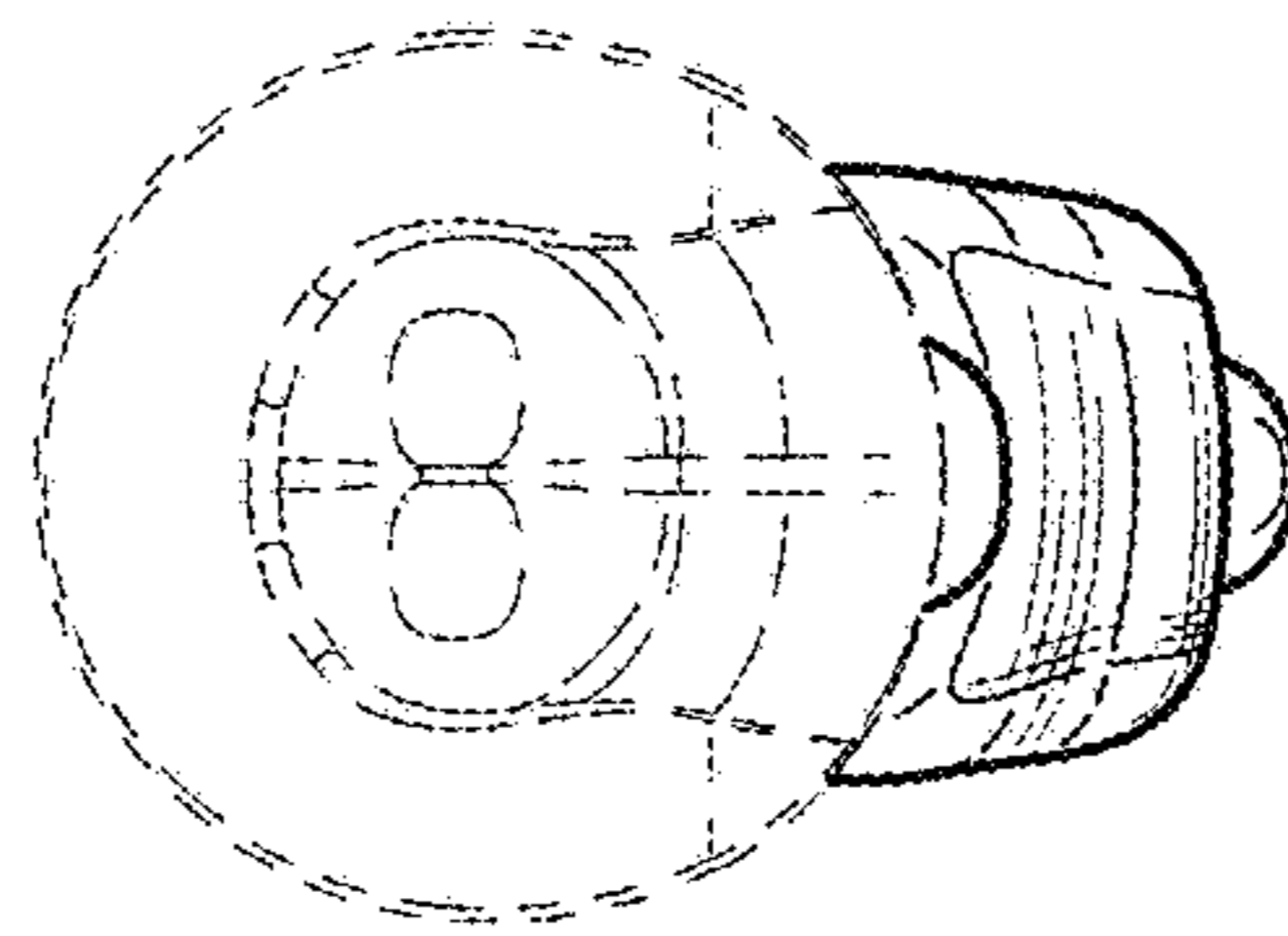


Fig 5

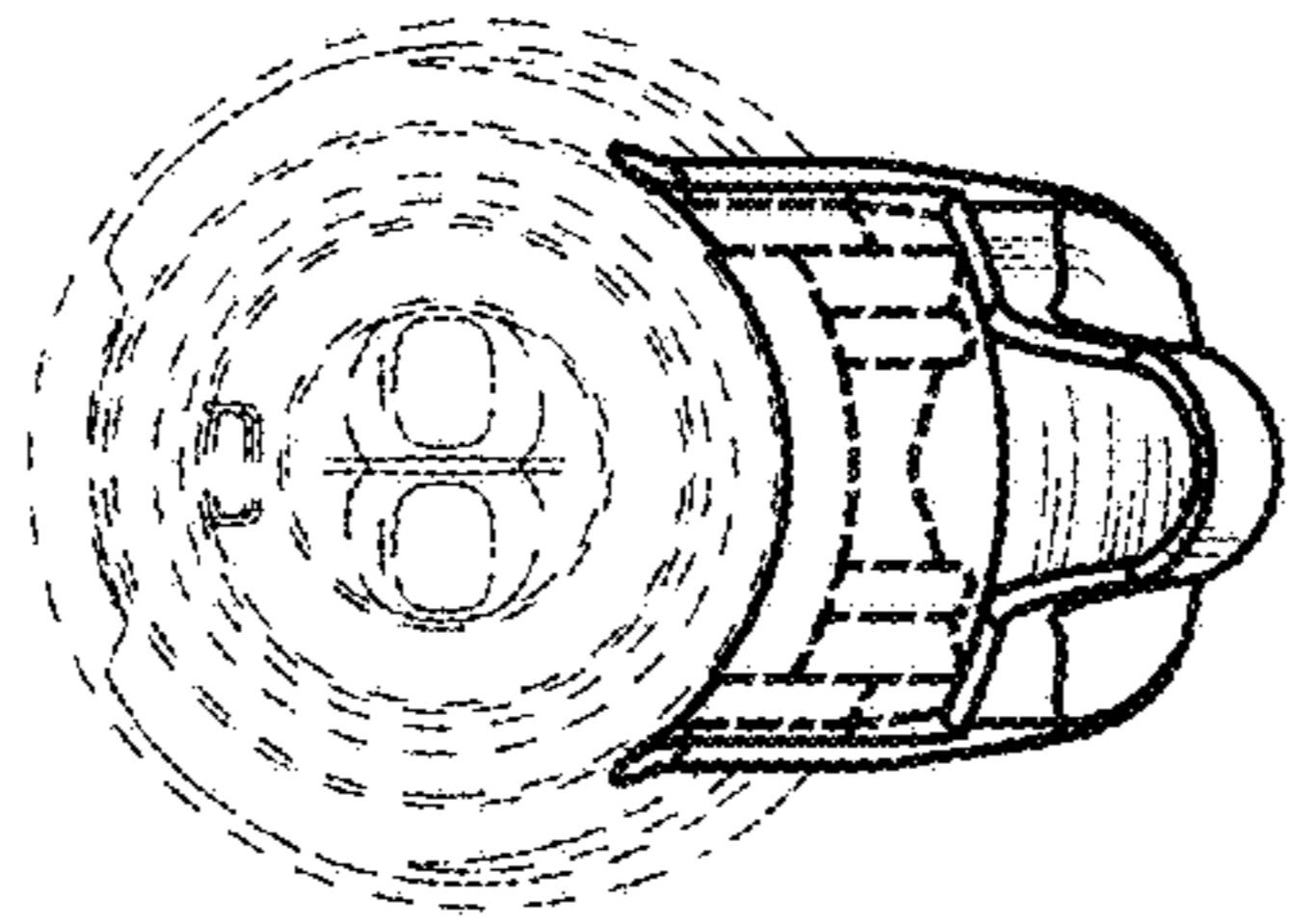


Fig 6