

US00D862156S

(12) **United States Design Patent**
Meyers et al.

(10) **Patent No.:** **US D862,156 S**

(45) **Date of Patent:** **** Oct. 8, 2019**

- (54) **LID**
- (71) Applicant: **Runway Blue, LLC**, Alpine, UT (US)
- (72) Inventors: **David O. Meyers**, East Layton, UT (US); **John R. Omdahl, II**, Lindon, UT (US)
- (73) Assignee: **Runway Blue, LLC**, Alpine, UT (US)
- (**) Term: **15 Years**
- (21) Appl. No.: **29/631,719**
- (22) Filed: **Jan. 2, 2018**
- (51) **LOC (12) Cl.** **07-99**
- (52) **U.S. Cl.**
USPC **D7/392; D7/392.1**
- (58) **Field of Classification Search**
USPC D9/452, 453, 454, 435, 447, 449;
D7/392, 392.1
CPC ... A47G 19/2205; A47G 19/2222; A45F 3/16;
A45F 3/20; B67D 7/06; B67D 1/0004;
B65D 25/14; B65D 47/065; B65D
47/066; B65D 2543/00101; B65D
2543/00027
See application file for complete search history.

(56) **References Cited**

U.S. PATENT DOCUMENTS

5,827,071	A	10/1998	Sorensen et al.	
D448,971	S *	10/2001	Hughes	D7/392.1
6,379,032	B1	4/2002	Sorensen	
D510,235	S	10/2005	Sorensen	
7,441,941	B2	10/2008	Vernon	
D626,837	S	11/2010	Meyers et al.	
D626,838	S	11/2010	Meyers et al.	
D639,661	S	6/2011	Llerena	
D639,663	S	6/2011	Llerena	
D640,559	S	6/2011	Llerena	
D644,065	S	8/2011	Llerena	
D652,256	S *	1/2012	Eyal	D7/510

D667,694	S	9/2012	Meyers et al.	
D669,732	S *	10/2012	Hopkins	D7/392.1
D677,121	S	3/2013	Meyers et al.	
D686,885	S	7/2013	Meyers et al.	
D686,886	S	7/2013	Meyers et al.	
D686,887	S	7/2013	Meyers et al.	
D686,888	S	7/2013	Meyers et al.	

(Continued)

Primary Examiner — Karen S Acker

Assistant Examiner — Steven B Reinholdt, Jr.

(74) *Attorney, Agent, or Firm* — Sterne, Kessler, Goldstein & Fox P.L.L.C.

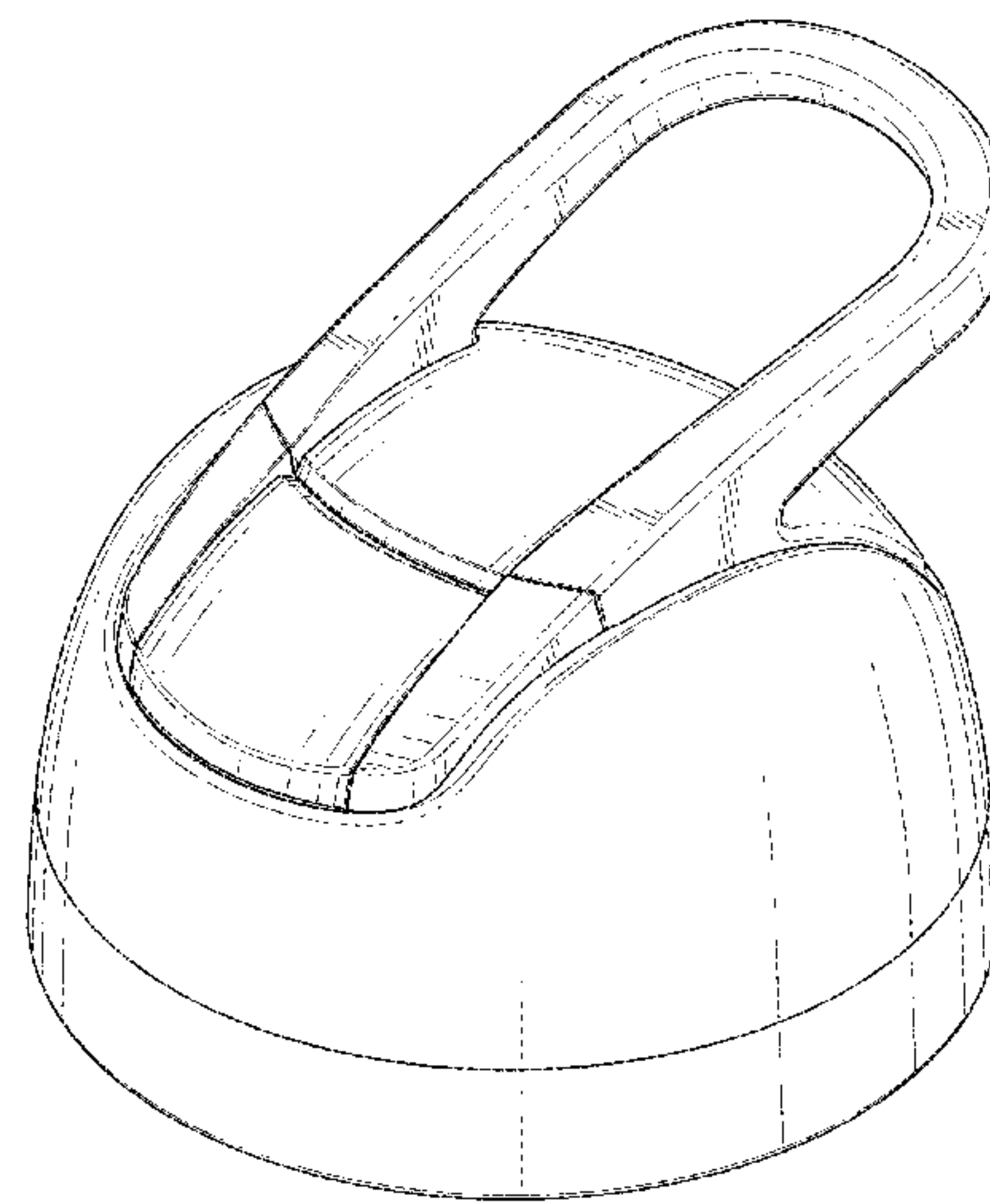
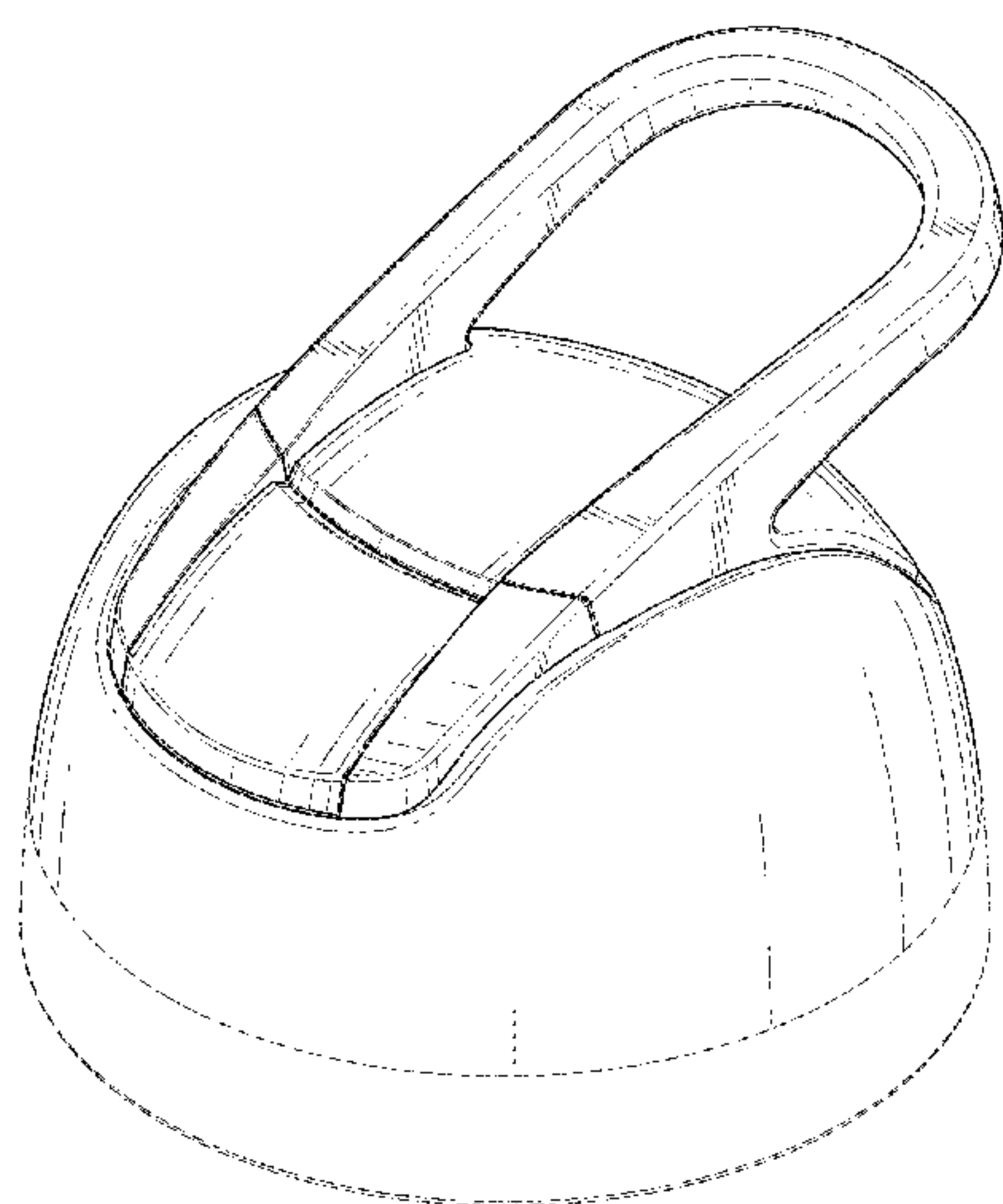
(57) **CLAIM**

The ornamental design for a lid, as shown and described.

DESCRIPTION

FIG. 1 is a top front perspective view of a first embodiment of a lid;
 FIG. 2 is a top rear perspective view of the lid shown in FIG. 1;
 FIG. 3 is a front view of the lid shown in FIG. 1;
 FIG. 4 is a rear view of the lid shown in FIG. 1;
 FIG. 5 is a right side view of the lid shown in FIG. 1;
 FIG. 6 is a left side view of the lid shown in FIG. 1;
 FIG. 7 is a top view of the lid shown in FIG. 1;
 FIG. 8 is a bottom view of the lid shown in FIG. 1;
 FIG. 9 is a top front perspective view of a second embodiment of a lid;
 FIG. 10 is a top rear perspective view of the lid shown in FIG. 9;
 FIG. 11 is a front view of the lid shown in FIG. 9;
 FIG. 12 is a rear view of the lid shown in FIG. 9;
 FIG. 13 is a right side view of the lid shown in FIG. 9;
 FIG. 14 is a left side view of the lid shown in FIG. 9;
 FIG. 15 is a top view of the lid shown in FIG. 9; and,
 FIG. 16 is a bottom view of the lid shown in FIG. 9.
 The broken lines and areas within them depict portions of the lid that form no part of the claimed design.

1 Claim, 16 Drawing Sheets



(56)

References Cited

U.S. PATENT DOCUMENTS

D696,079 S	12/2013	Meyers et al.	9,694,953 B2	7/2017	Meyers et al.
D696,551 S	12/2013	Meyers et al.	D793,154 S	8/2017	Sorensen et al.
D697,798 S	1/2014	Sorensen et al.	D795,646 S	8/2017	Sorensen et al.
8,695,830 B2	4/2014	Meyers et al.	D797,497 S	9/2017	Sorensen et al.
RE45,055 E *	8/2014	Roth D7/392.1	D797,498 S	9/2017	Sorensen et al.
8,833,586 B2	9/2014	Meyers et al.	D797,516 S	9/2017	Meyers et al.
8,844,746 B2	9/2014	Meyers et al.	D799,973 S	10/2017	Sorensen et al.
D719,780 S *	12/2014	Sullivan D7/392.1	9,790,007 B2	10/2017	Sorensen et al.
D720,218 S *	12/2014	Hutson D9/443	D807,111 S	1/2018	Sorensen et al.
D721,276 S *	1/2015	Herbst D7/396.2	D808,711 S *	1/2018	Joseph D7/392.1
8,939,305 B2	1/2015	Meyers et al.	D810,502 S *	2/2018	Joseph D7/392.1
D727,097 S	4/2015	Sorensen et al.	D811,162 S *	2/2018	Rane D7/396.2
D729,569 S *	5/2015	Herbst D7/392	D811,810 S *	3/2018	Joseph D7/392.1
D730,694 S *	6/2015	Elsaden D7/511	D812,419 S *	3/2018	Yao D7/392.1
D732,339 S	6/2015	Sorensen et al.	D812,966 S *	3/2018	Murosky D7/392.1
D733,497 S	7/2015	Sorensen et al.	D814,855 S *	4/2018	Hammer D7/392.1
D739,174 S *	9/2015	Elsaden D7/392.1	D817,084 S *	5/2018	Hammer D7/392.1
9,120,598 B2	9/2015	Meyers et al.	D818,317 S *	5/2018	Fu D7/510
D742,230 S *	11/2015	Charles D7/396.2	D823,061 S *	7/2018	Murosky D7/510
D745,827 S	12/2015	Sorensen et al.	D838,549 S *	1/2019	Gu D7/510
9,216,843 B2	12/2015	Sorensen et al.	2006/0226110 A1 *	10/2006	Choi A47G 19/2266
D748,429 S *	2/2016	Lv D7/391			215/228
D748,430 S	2/2016	Sorensen et al.	2010/0193462 A1 *	8/2010	Roth et al. A47G 19/2288
D748,478 S	2/2016	Sorensen et al.			215/229
D748,943 S *	2/2016	Miller D7/392.1	2011/0253733 A1 *	10/2011	Meyers B65D 47/089
9,272,822 B2 *	3/2016	Samartgis B65D 47/12			220/833
D756,702 S *	5/2016	Joseph D7/392.1	2014/0353275 A1 *	12/2014	Hung B65D 47/305
D758,189 S *	6/2016	Roth D7/392.1			215/311
D760,027 S	6/2016	Meyers et al.	2014/0360908 A1 *	12/2014	Sorensen B65D 21/0228
D760,080 S *	6/2016	Gorbald D9/443			206/501
9,382,107 B2 *	7/2016	Pfeiffer G01F 13/006	2015/0173539 A1 *	6/2015	Mason A47G 19/2272
9,392,893 B2	7/2016	Sorensen et al.			220/707
D762,418 S	8/2016	Sorensen et al.	2015/0201773 A1 *	7/2015	Sorensen A47J 43/27
D768,491 S	10/2016	Sorensen et al.			220/254.5
9,492,024 B2	11/2016	Sorensen et al.	2015/0201774 A1	7/2015	Sorensen et al.
D777,508 S *	1/2017	Goodwin D7/392.1	2015/0201775 A1	7/2015	Sorensen et al.
D778,129 S	2/2017	Sorensen et al.	2016/0264320 A1	9/2016	Meyers et al.
D781,640 S *	3/2017	Roth D7/300.2	2017/0007076 A1	1/2017	Sorensen et al.
D788,529 S *	6/2017	Chitayat D7/510	2017/0144809 A1 *	5/2017	Sorensen A47G 19/00
			2017/0225850 A1	8/2017	Sorensen et al.
			2017/0283132 A1 *	10/2017	Sorensen A47G 19/00

* cited by examiner

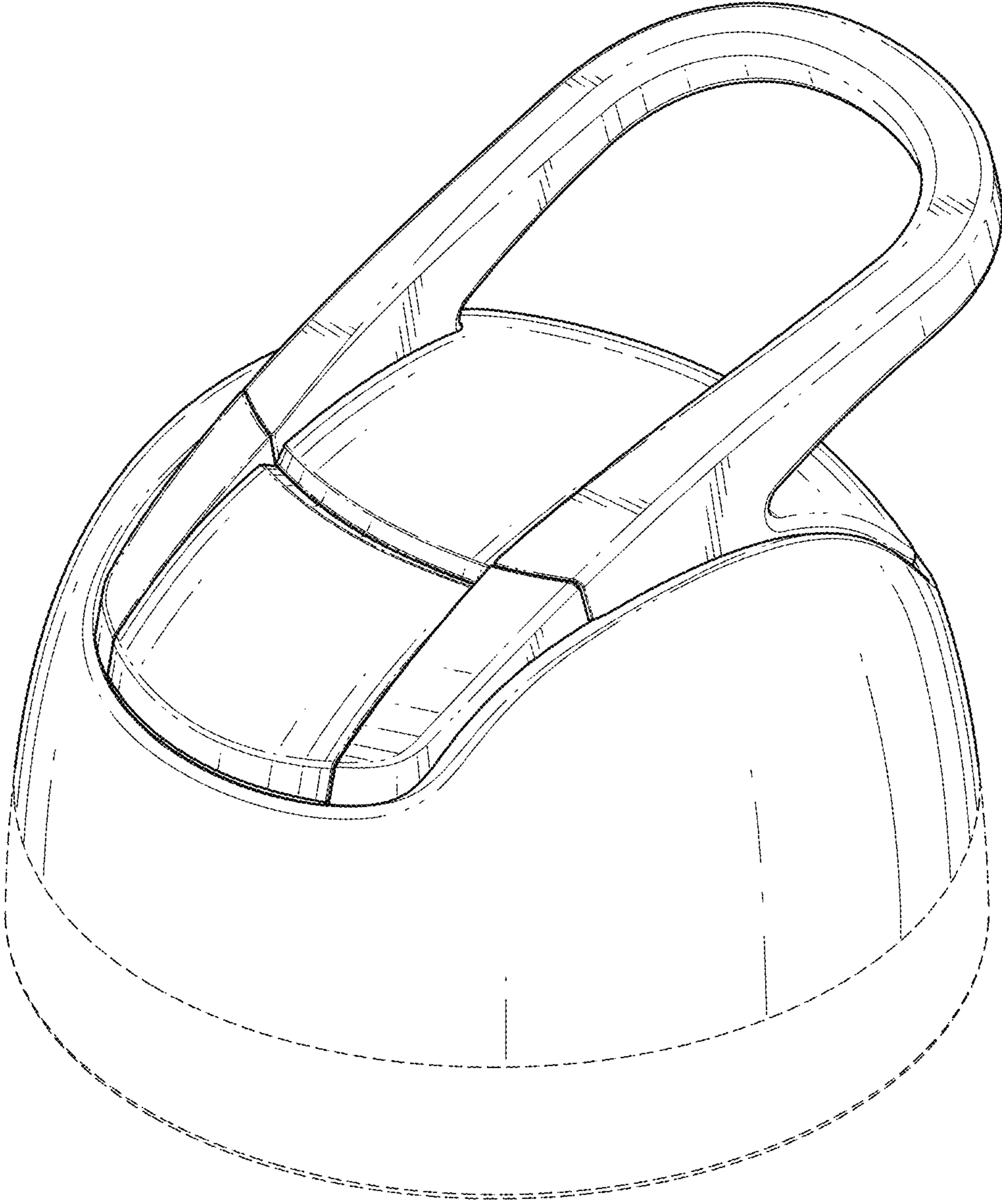


FIG. 1

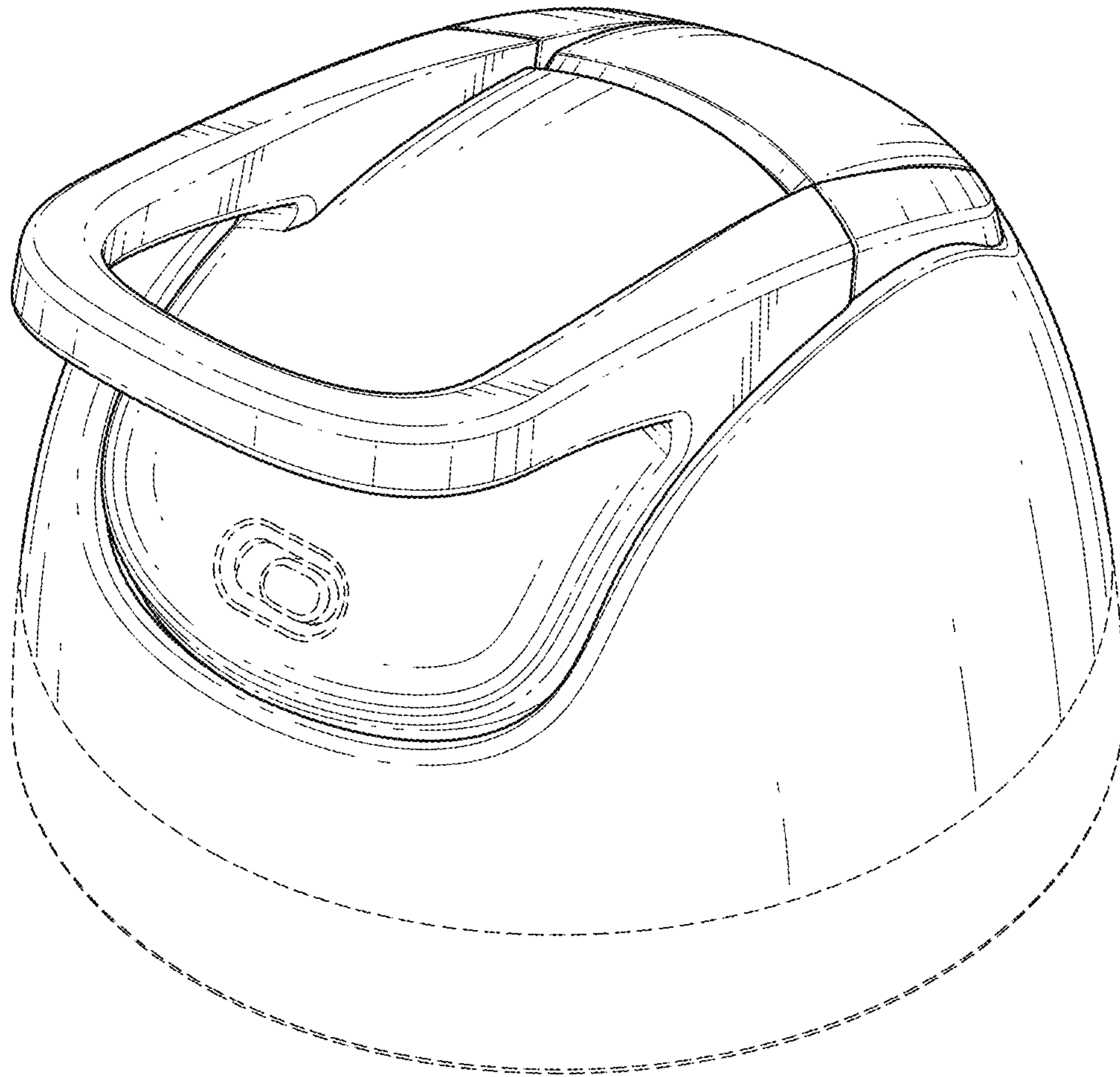


FIG. 2

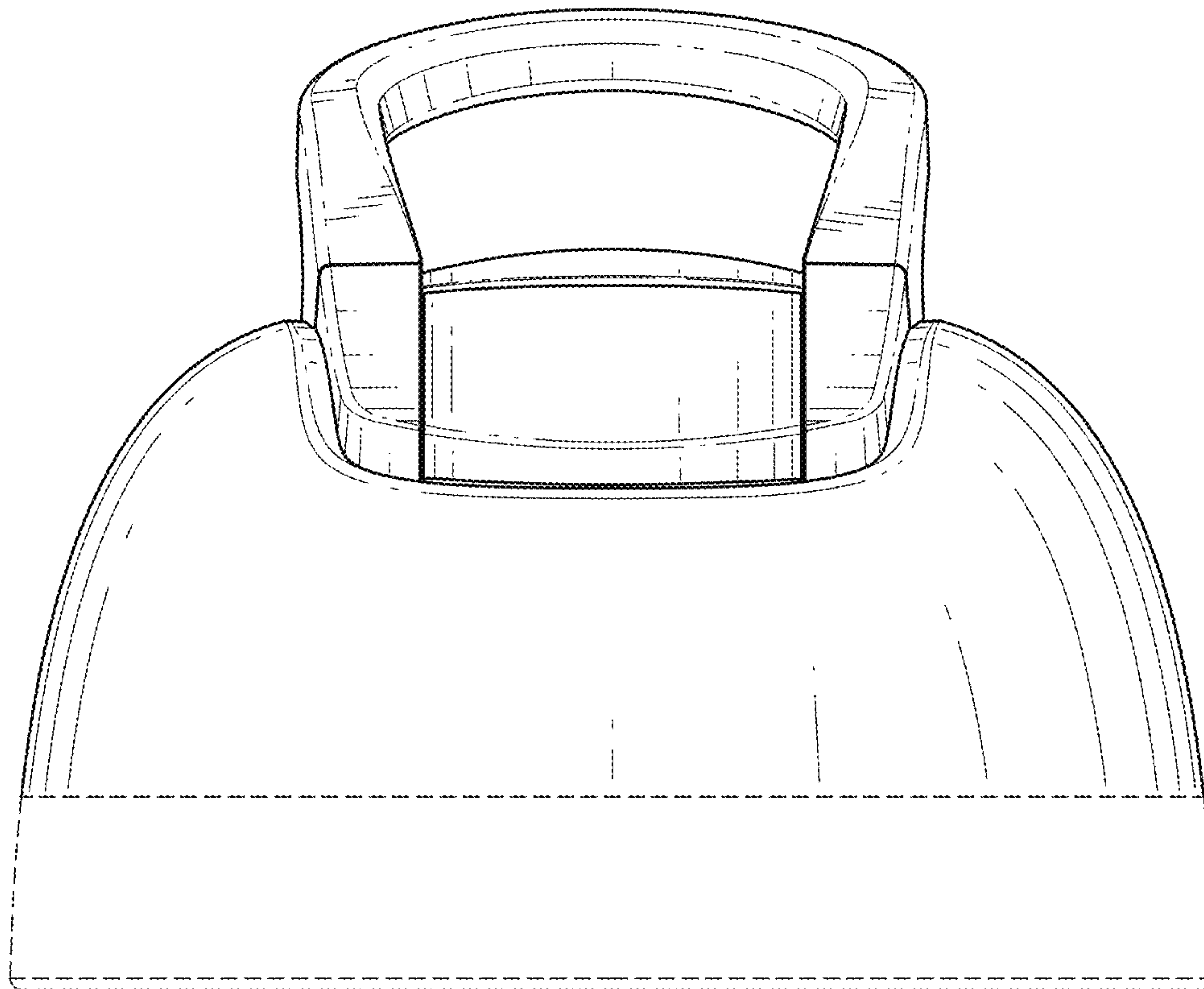


FIG. 3

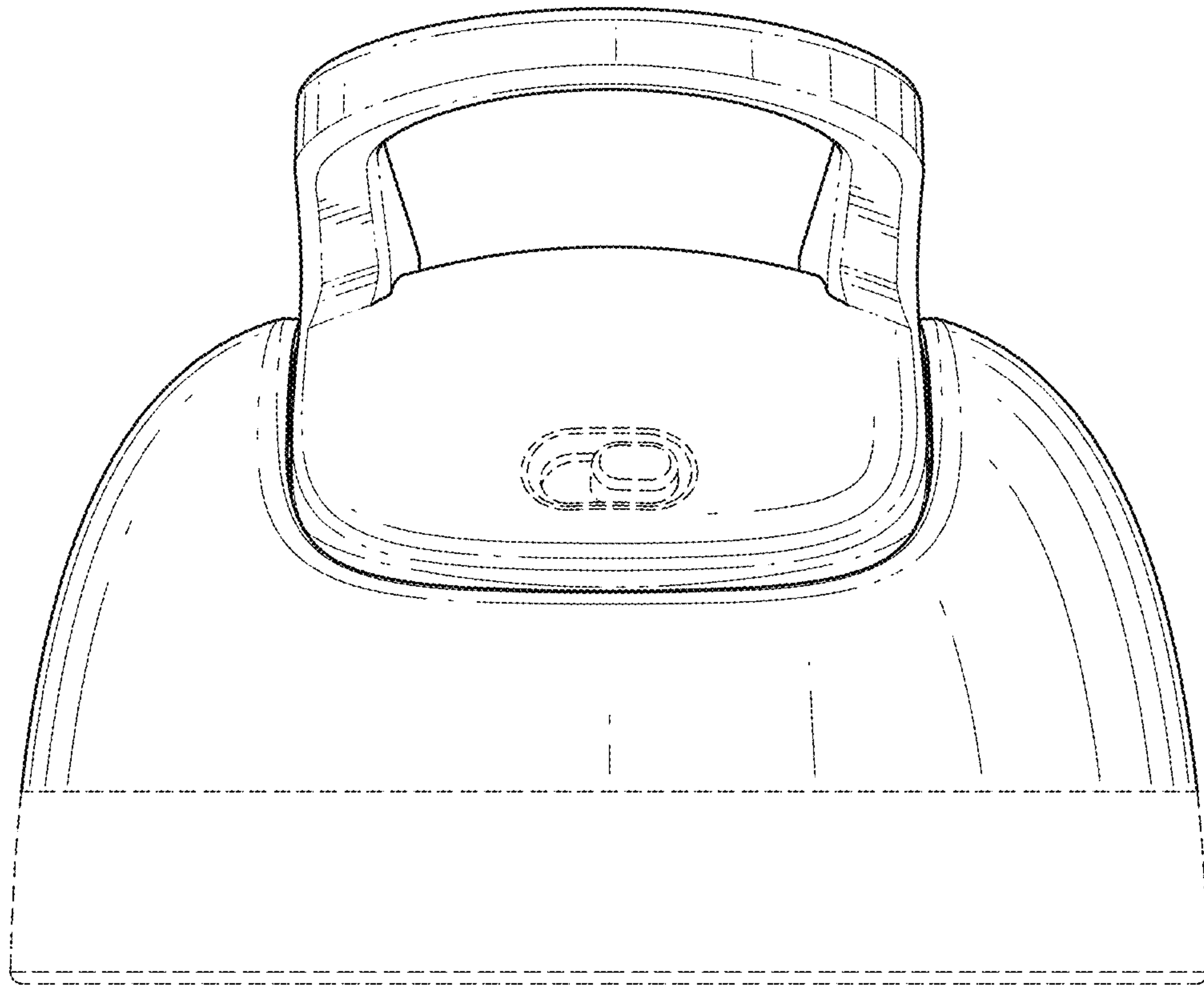


FIG. 4

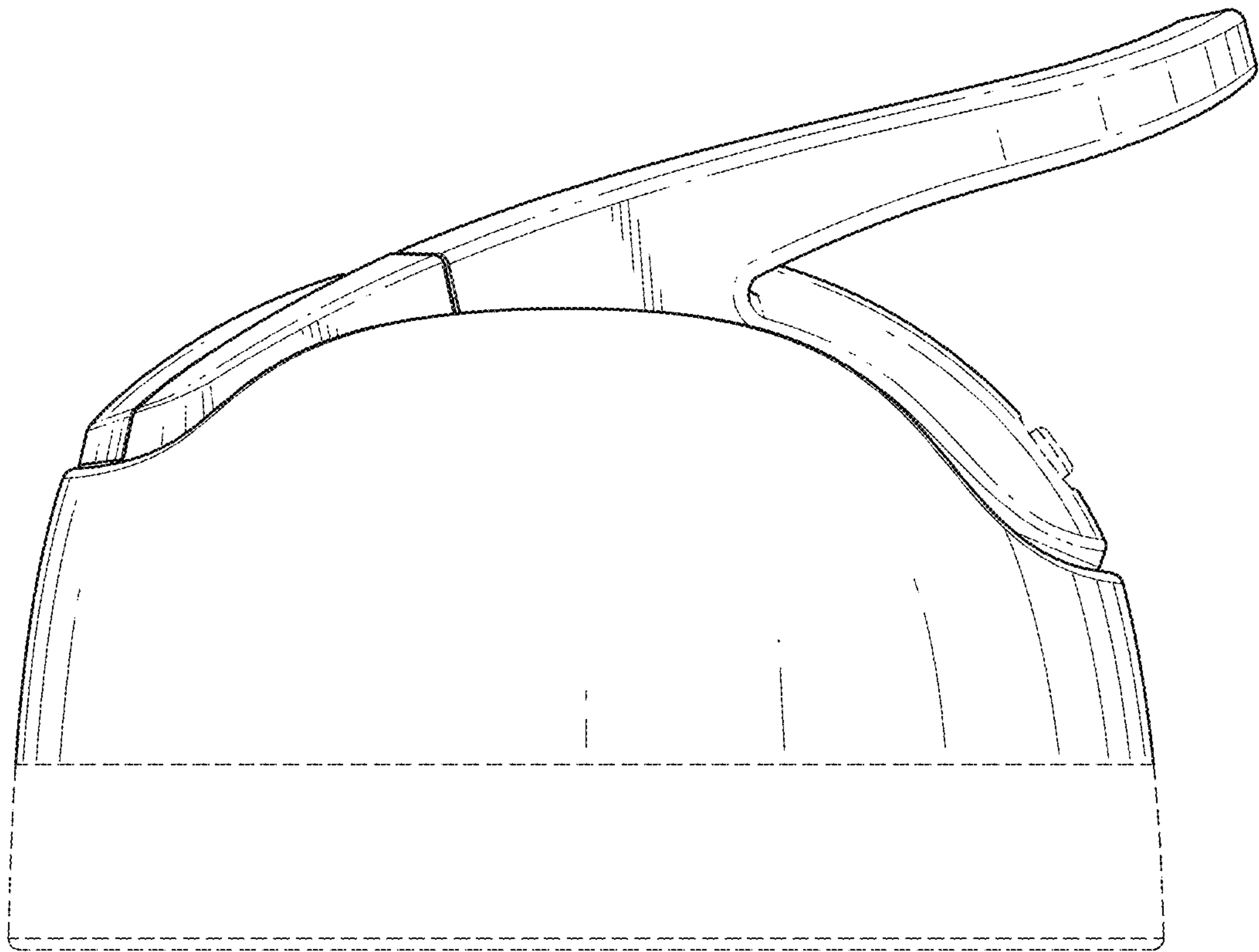


FIG. 5

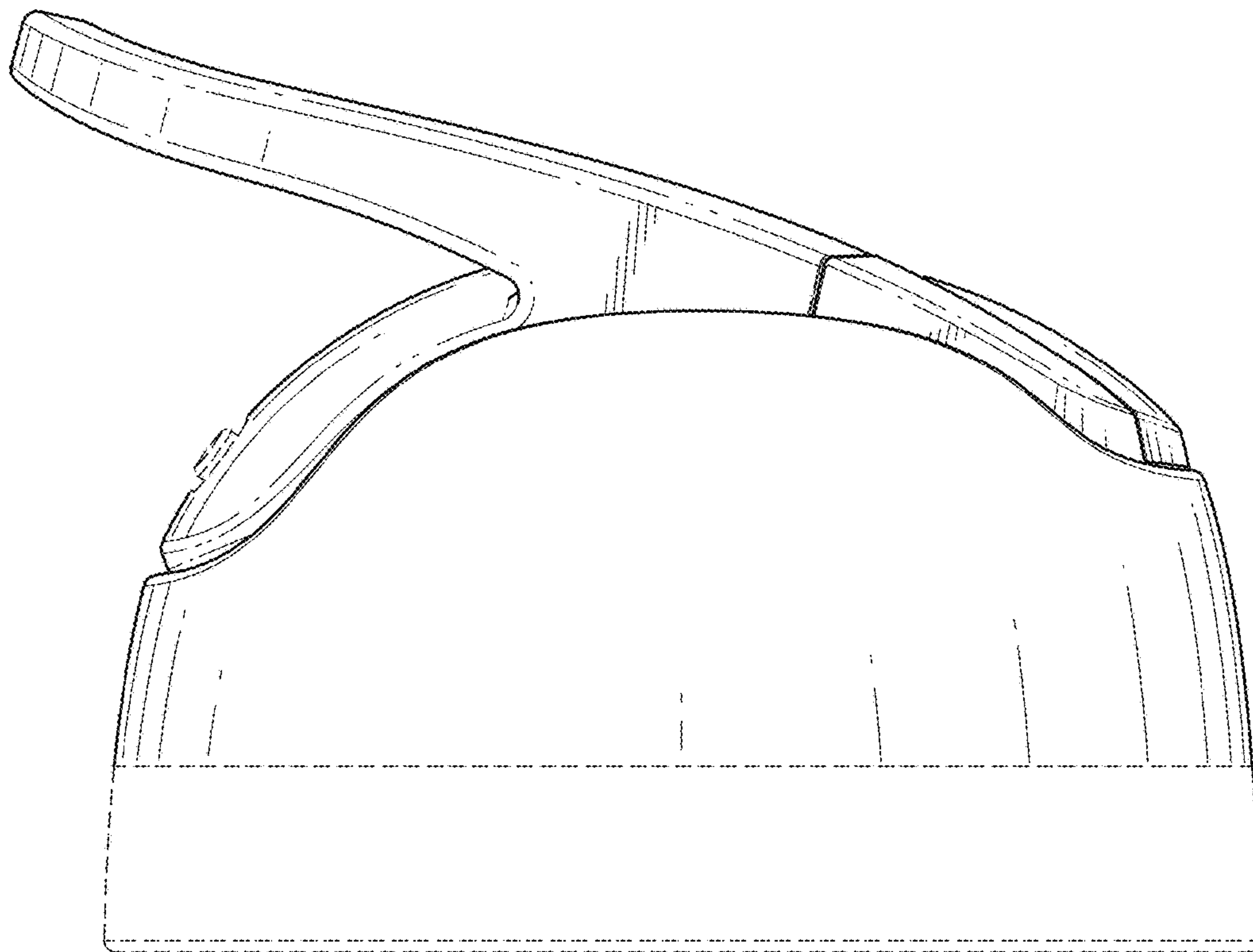


FIG. 6

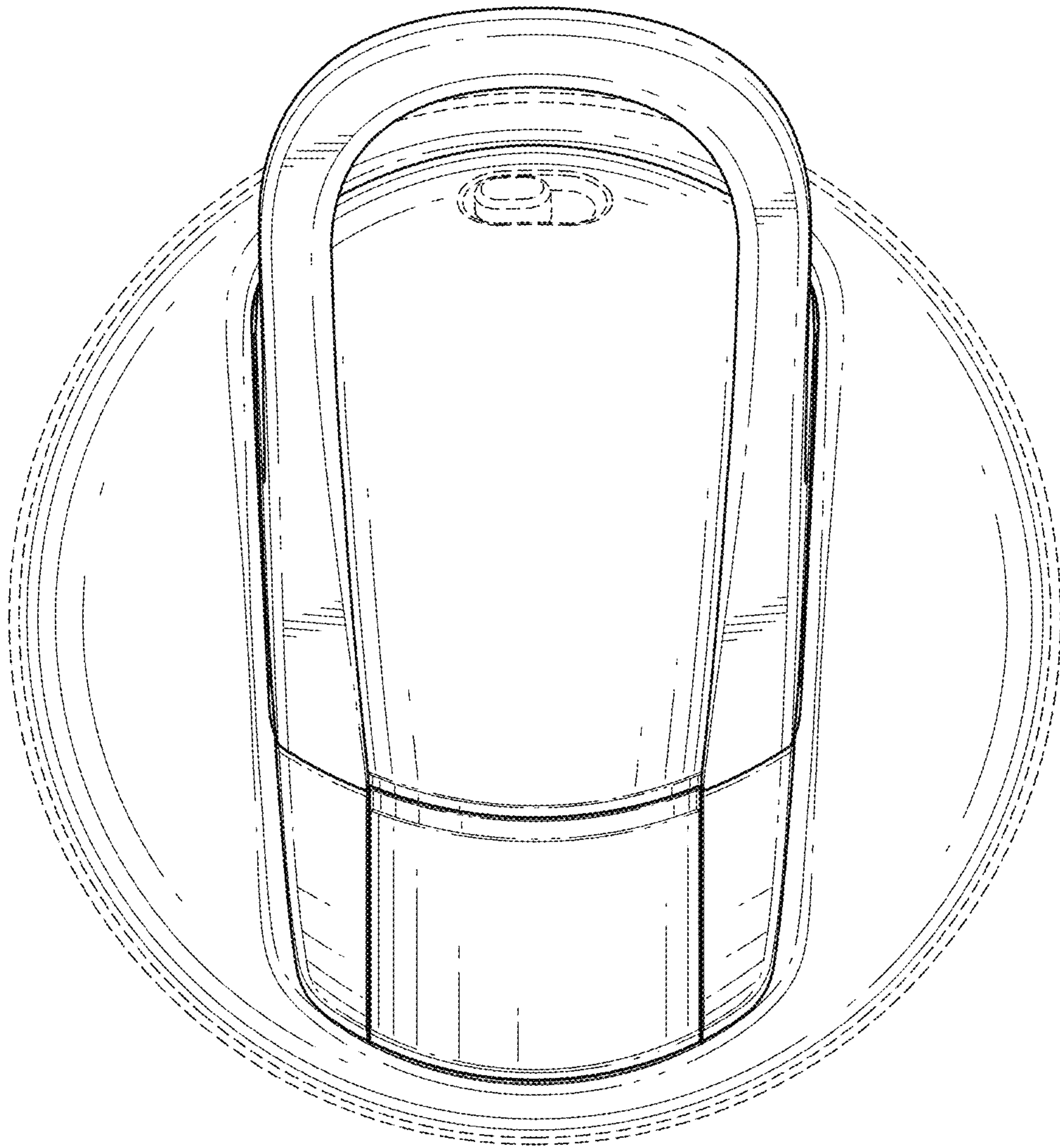


FIG. 7

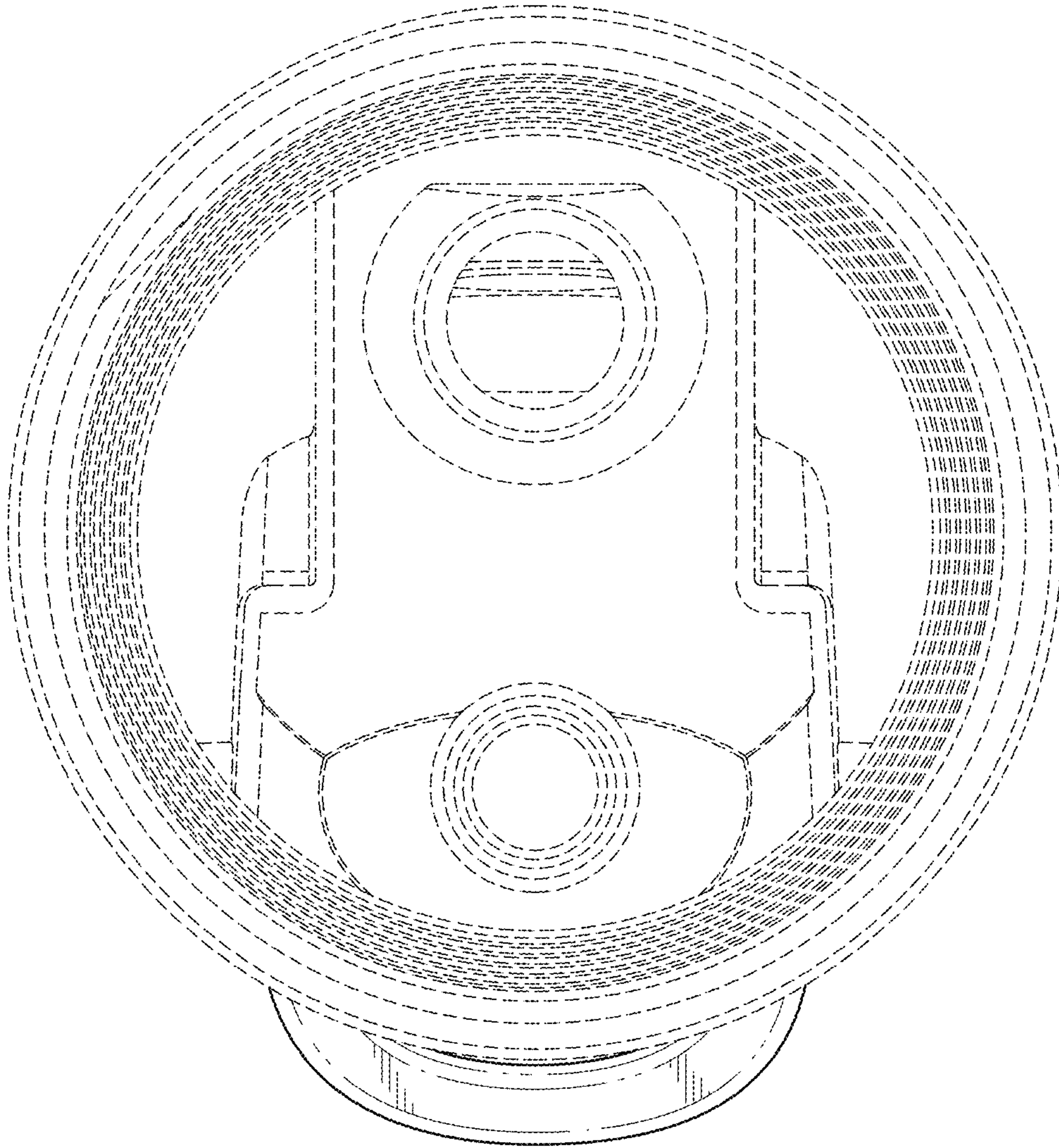


FIG. 8

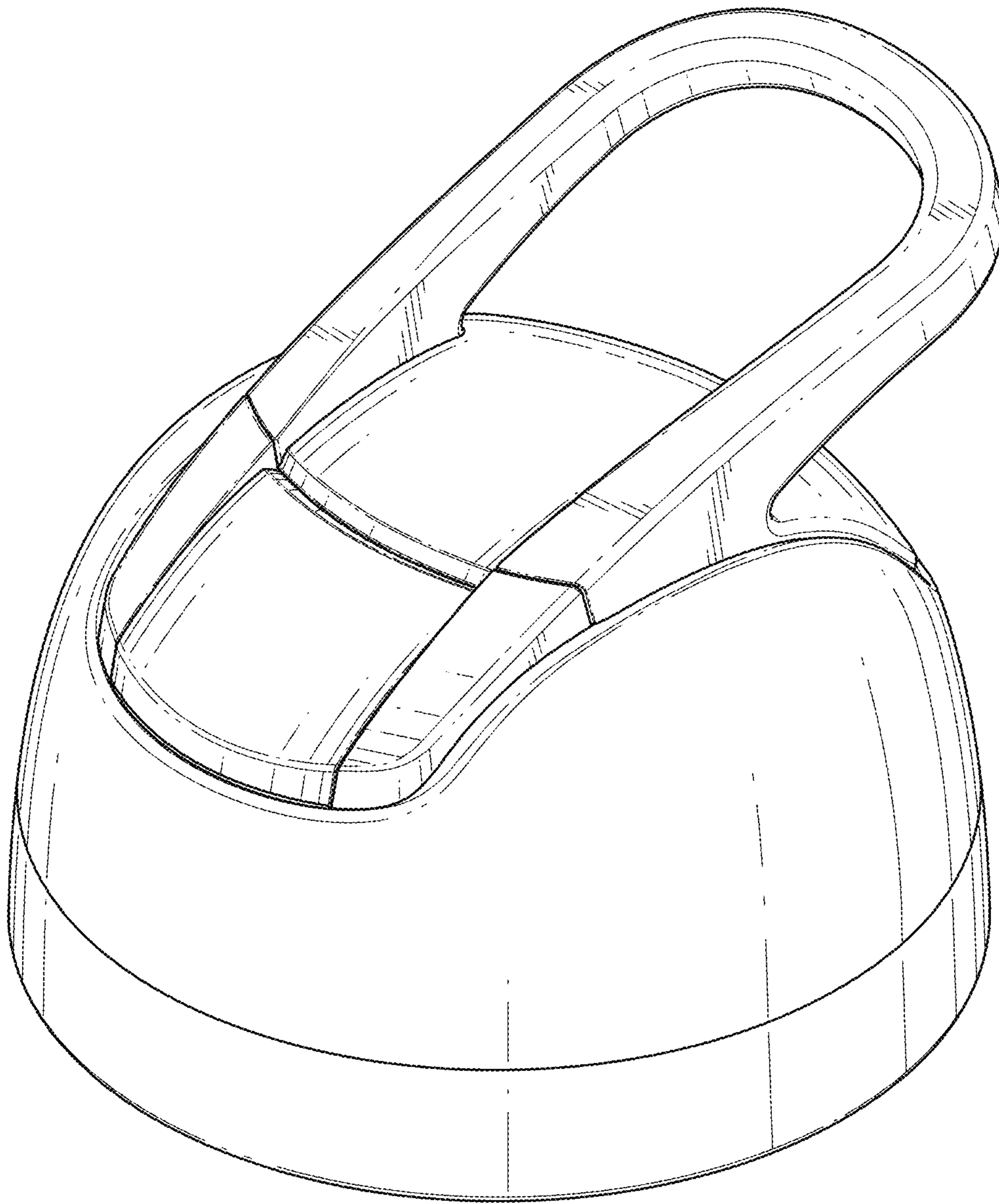


FIG .9

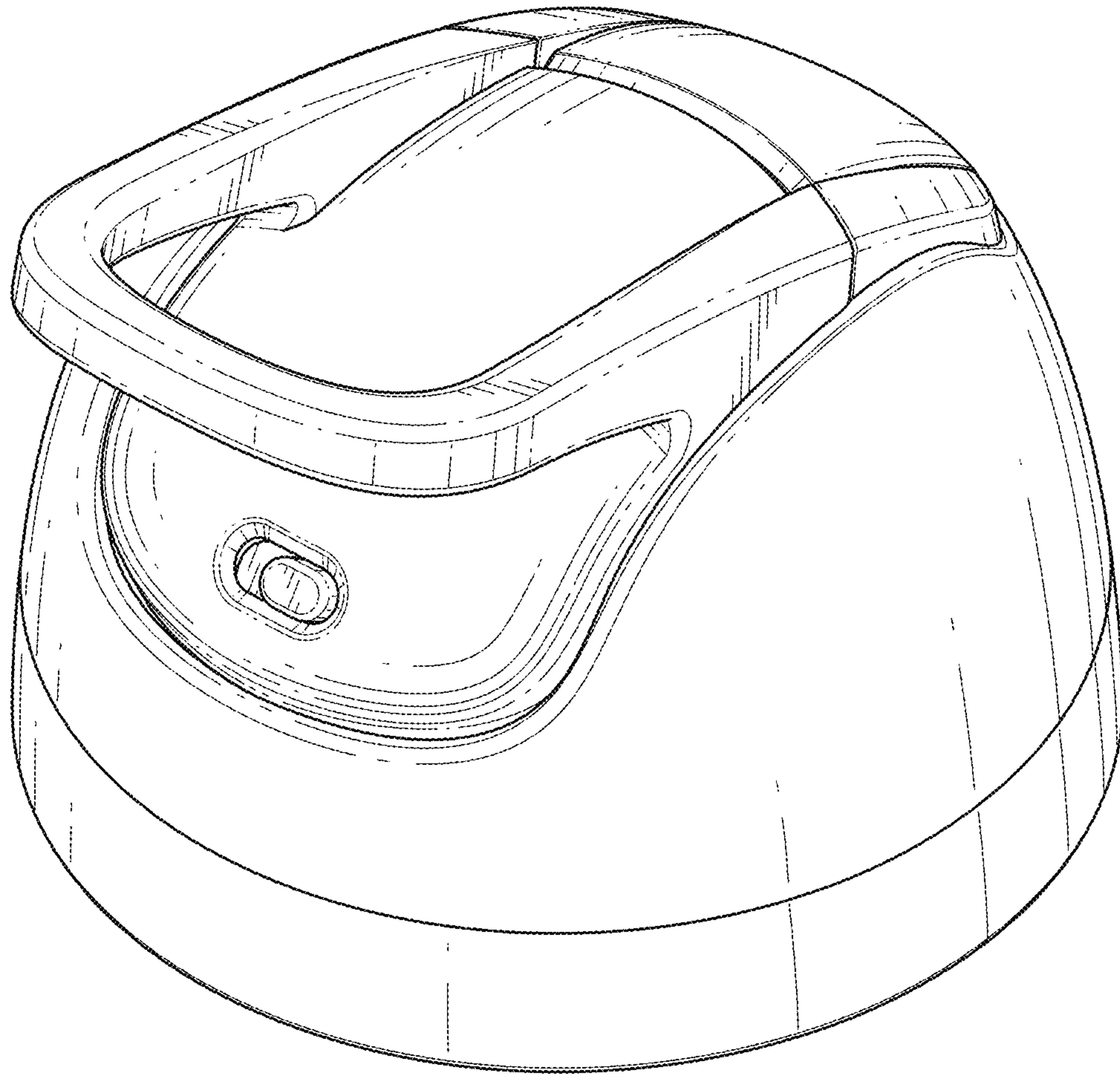


FIG. 10

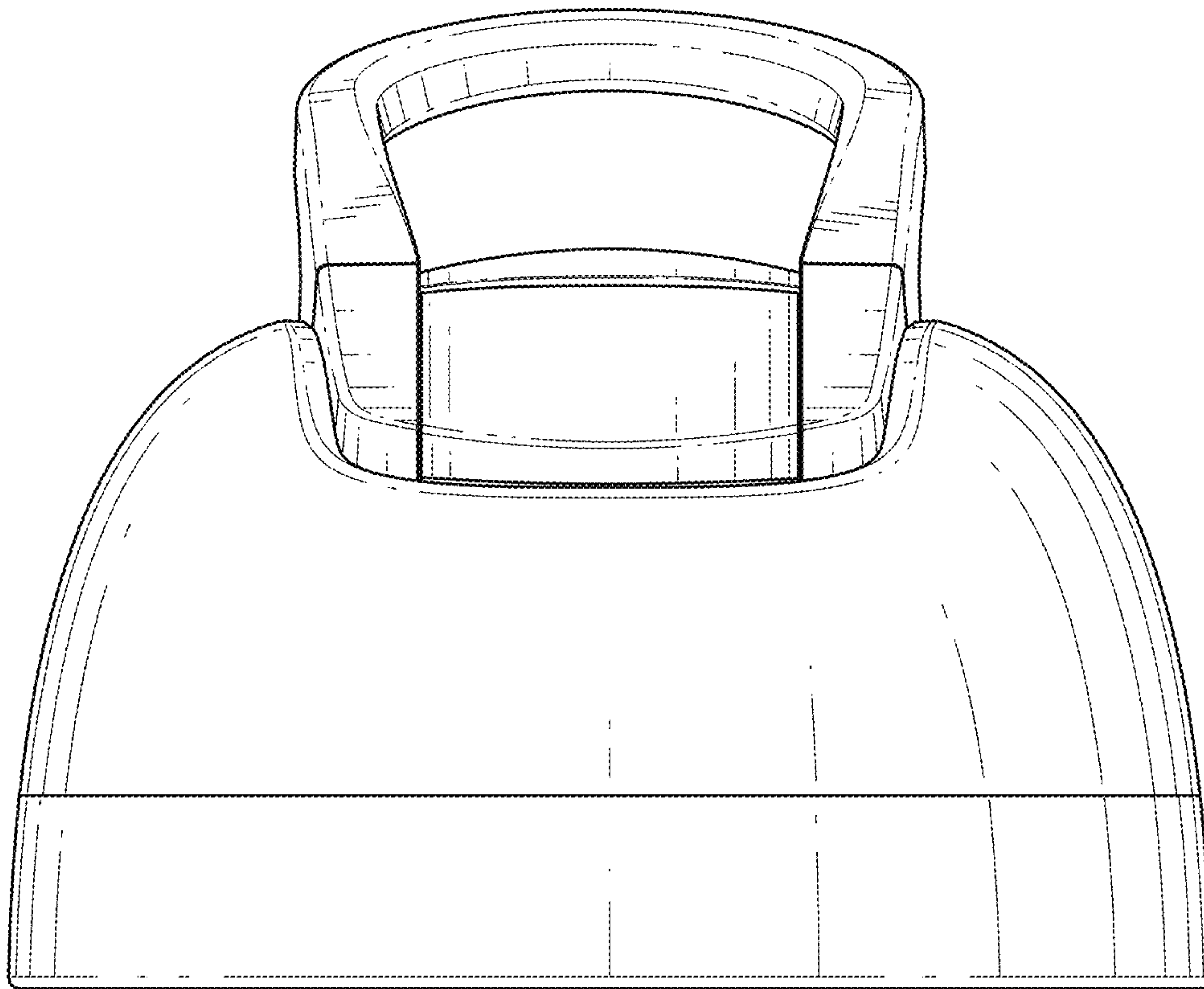


FIG. 11

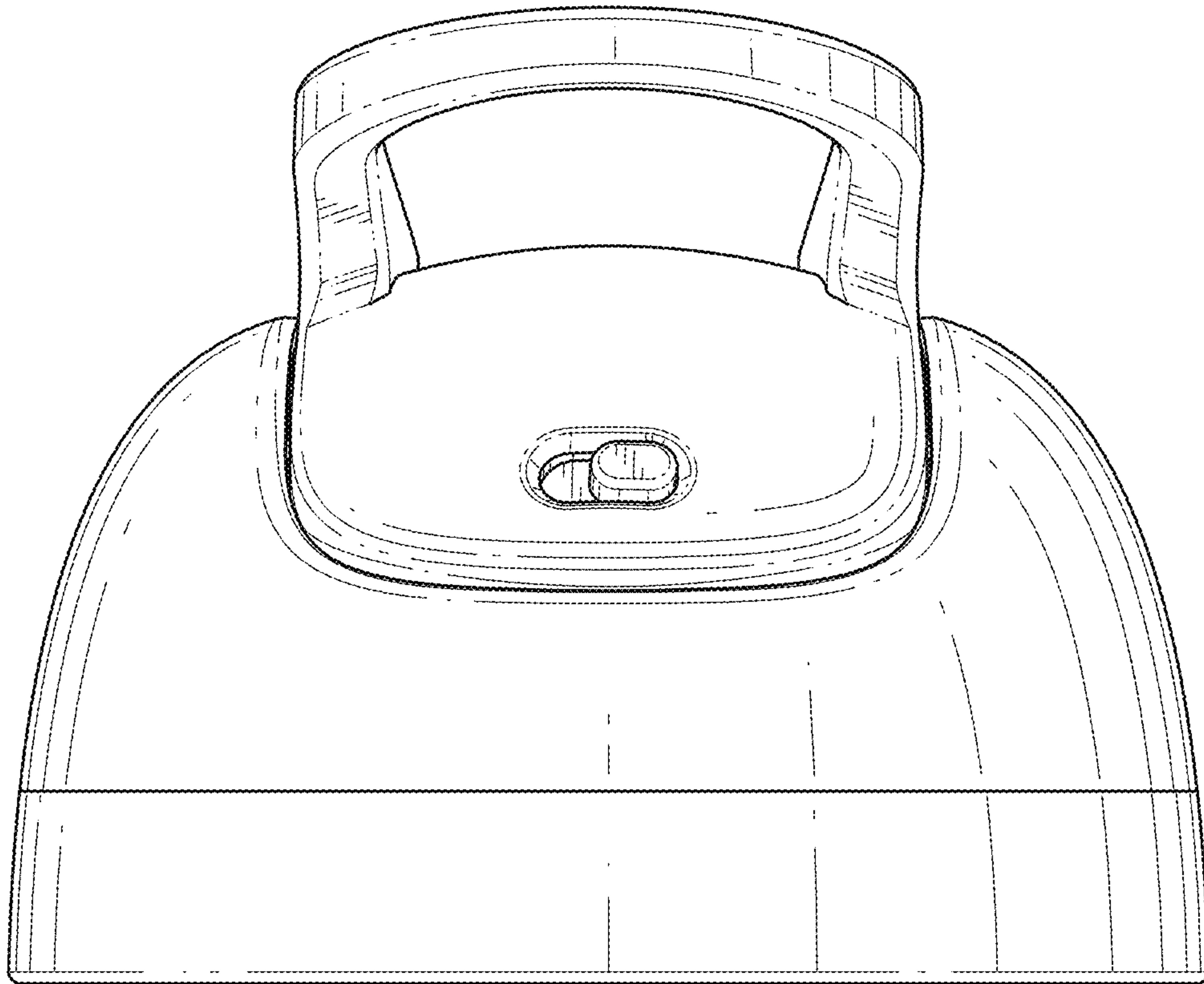


FIG. 12

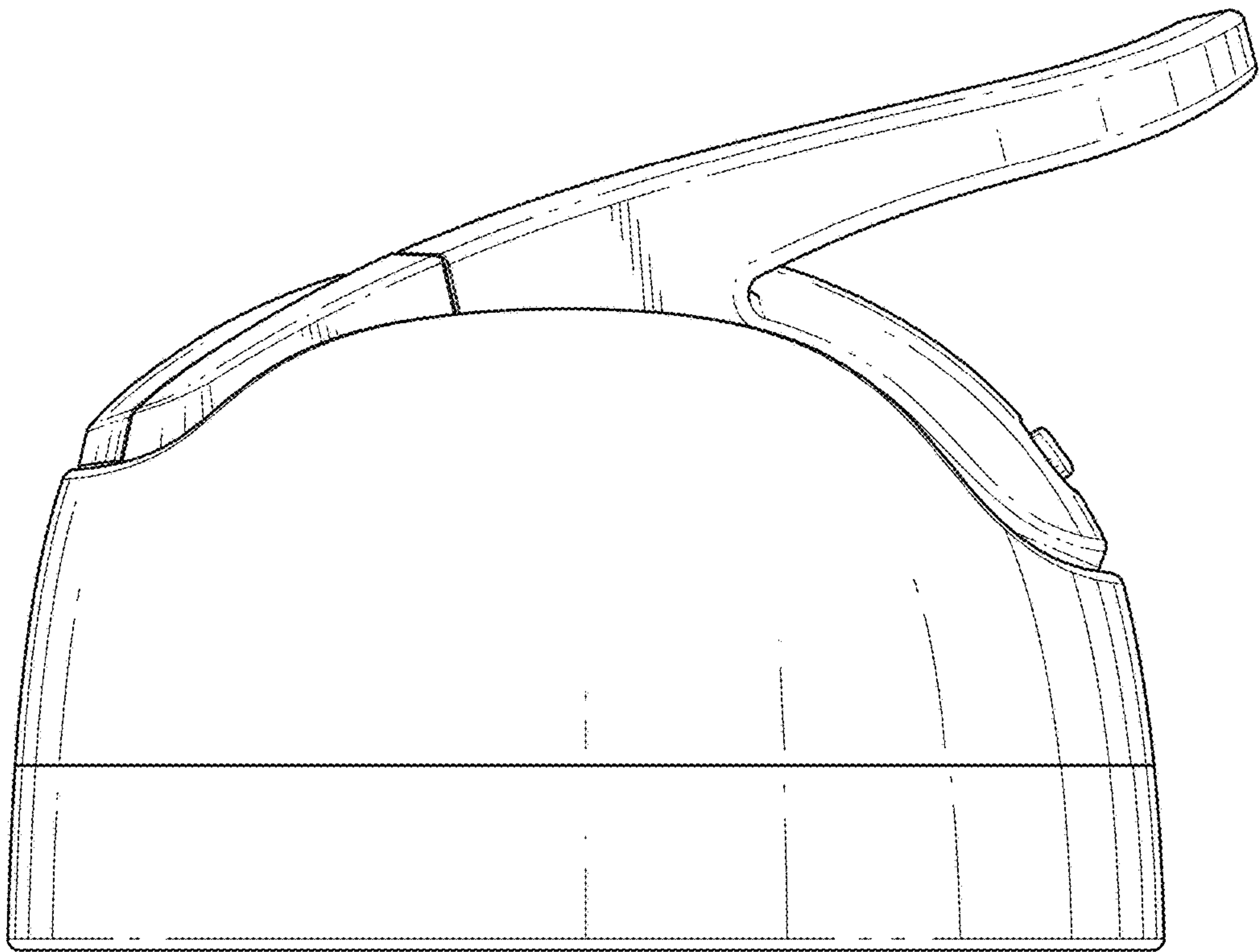


FIG. 13

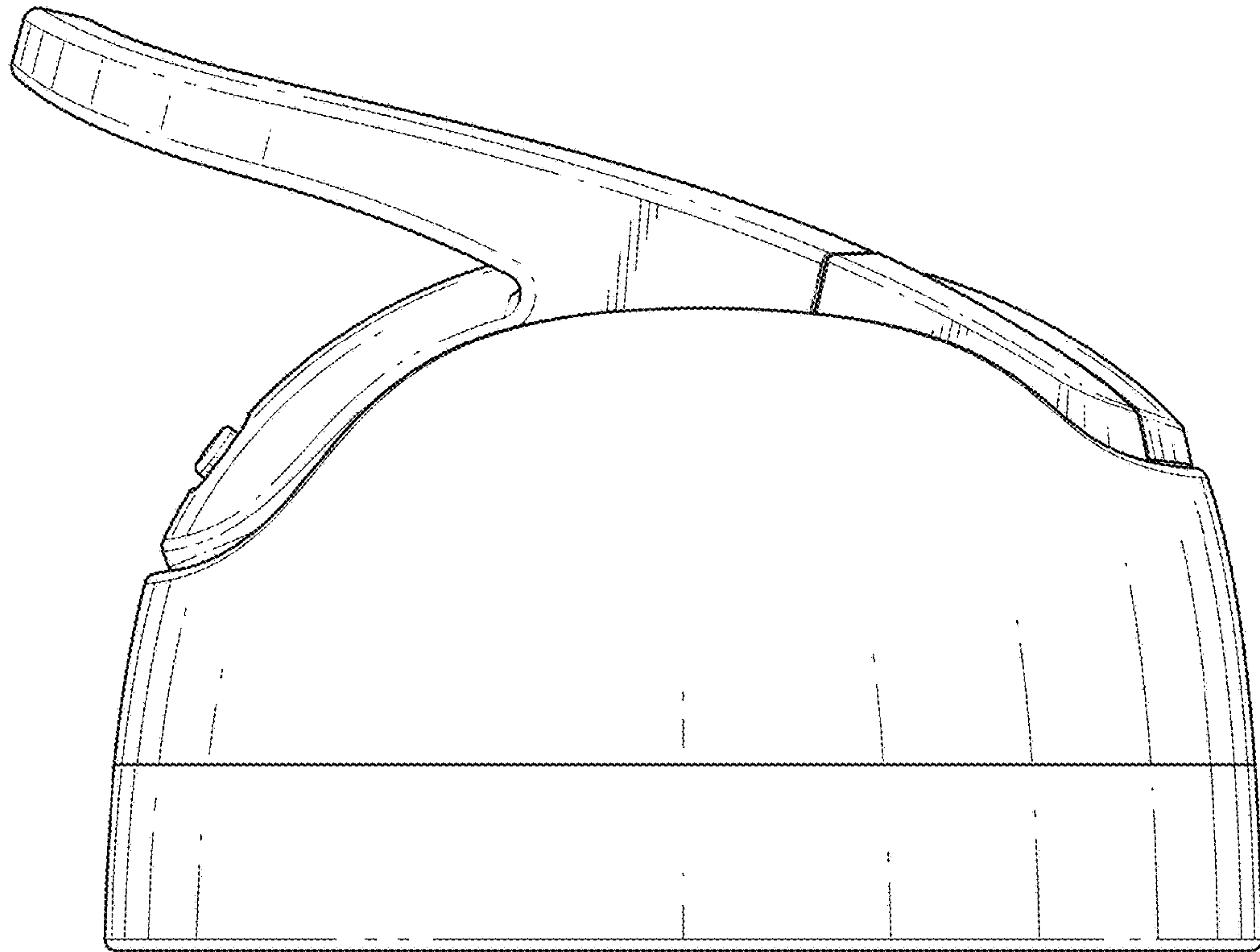


FIG. 14

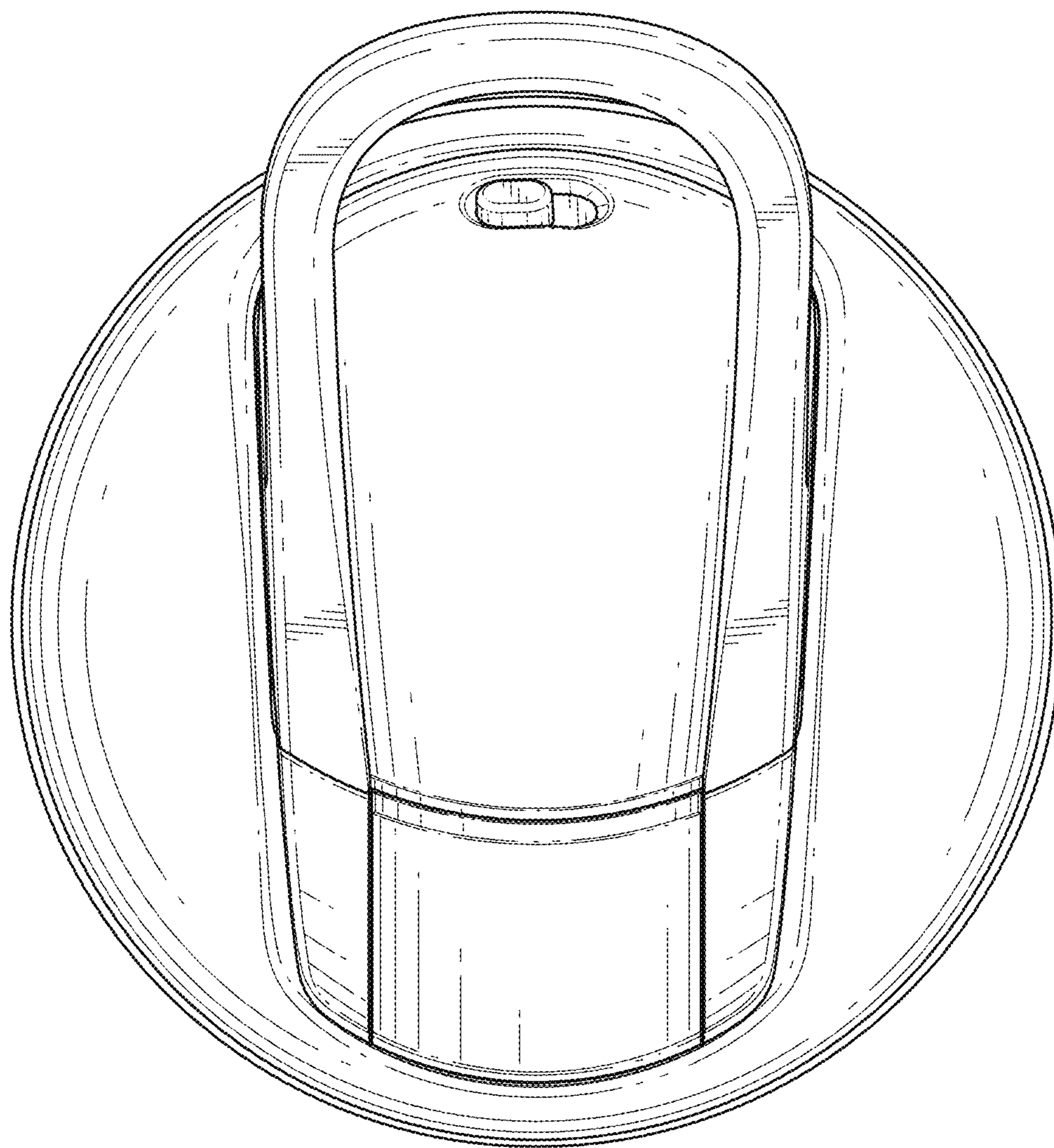


FIG. 15

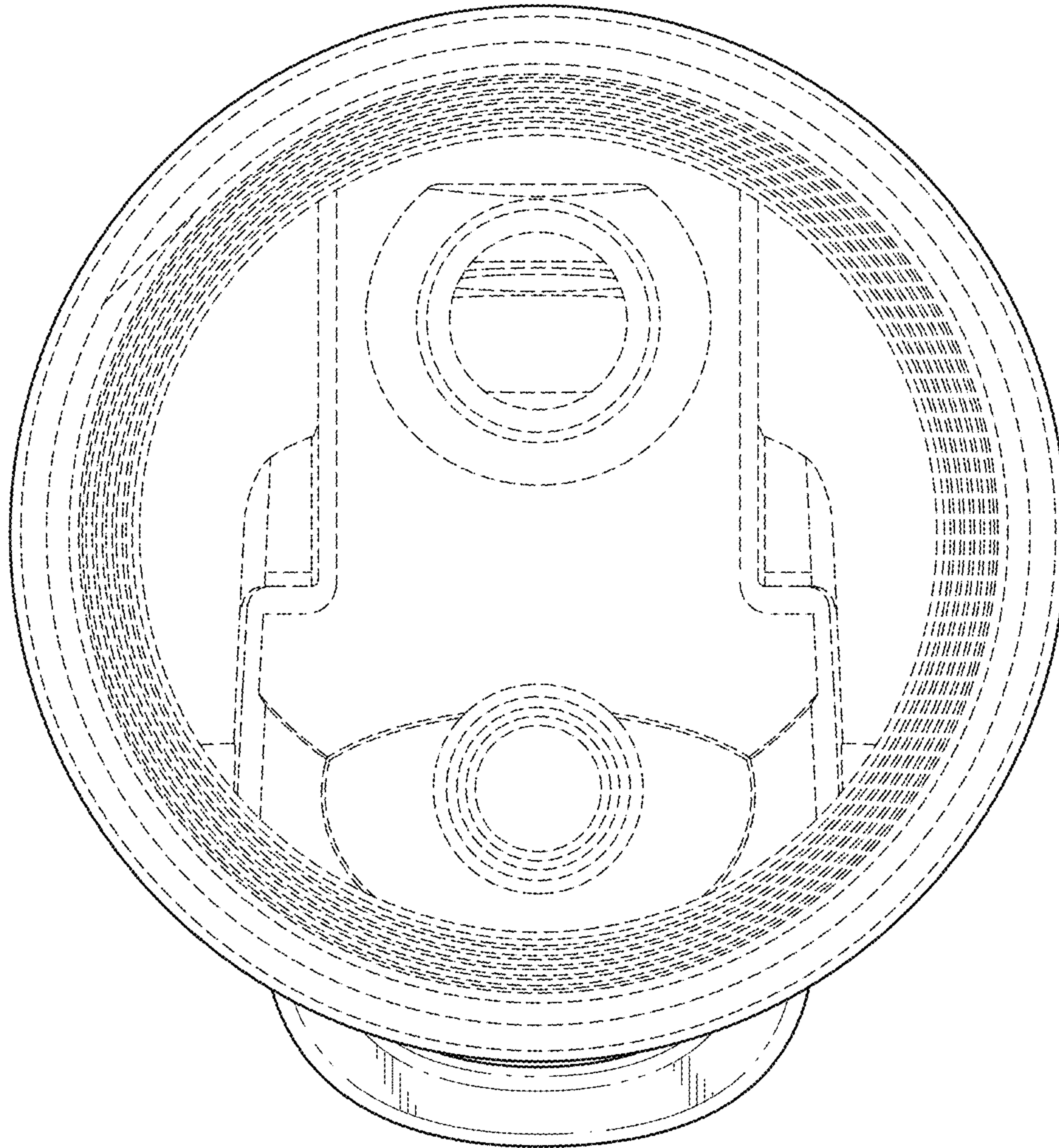


FIG. 16