



US00D862154S

(12) **United States Design Patent** (10) **Patent No.:** **US D862,154 S**  
**Van Den Nieuwenhuizen et al.** (45) **Date of Patent:** **\*\* Oct. 8, 2019**

- (54) **CIRCULATOR COOKER** 2013/0220143 A1 8/2013 Fetterman et al.
- (71) Applicant: **Anova Applied Electronics, Inc.**, San Francisco, CA (US) 2015/0082996 A1 3/2015 Wu
- (72) Inventors: **John Van Den Nieuwenhuizen**, San Francisco, CA (US); **Vitor Alexandre Medeiros De Santa Maria**, Milan (IT) 2015/0150403 A1 6/2015 Wu
- (73) Assignee: **Anova Applied Electronics, Inc.**, San Francisco, CA (US) 2015/0245731 A1 9/2015 Wu
- 2015/0342388 A1 12/2015 Wu
- 2015/0342389 A1 12/2015 Wu
- 2015/0342390 A1 12/2015 Wu
- 2015/0342392 A1 12/2015 Wu
- 2016/0022085 A1 1/2016 Wu
- 2016/0037956 A1 2/2016 Wu
- 2016/0192801 A1 7/2016 Wu
- 2016/0209077 A1\* 7/2016 Wu ..... B01L 7/02
- 2017/0089768 A1\* 3/2017 Wu ..... A47J 27/10

(\*\*) Term: **15 Years**

**OTHER PUBLICATIONS**

(21) Appl. No.: **29/611,354**

Notice of Allowance for U.S. Appl. No. 29/631,873, dated Feb. 25, 2019, 6 pages.

(22) Filed: **Jul. 20, 2017**

\* cited by examiner

(51) **LOC (12) Cl.** ..... **07-02**

(52) **U.S. Cl.**  
USPC ..... **D7/362**

*Primary Examiner* — Brett Miller

(74) *Attorney, Agent, or Firm* — RatnerPrestia

(58) **Field of Classification Search**  
USPC ..... D7/323, 331, 362, 365, 354; D14/216;  
D13/107; D10/49, 50  
CPC ..... A47J 27/10; A23L 5/13; B65D 81/3415  
See application file for complete search history.

(57) **CLAIM**

The ornamental design for a circulator cooker, as shown and described.

(56) **References Cited**

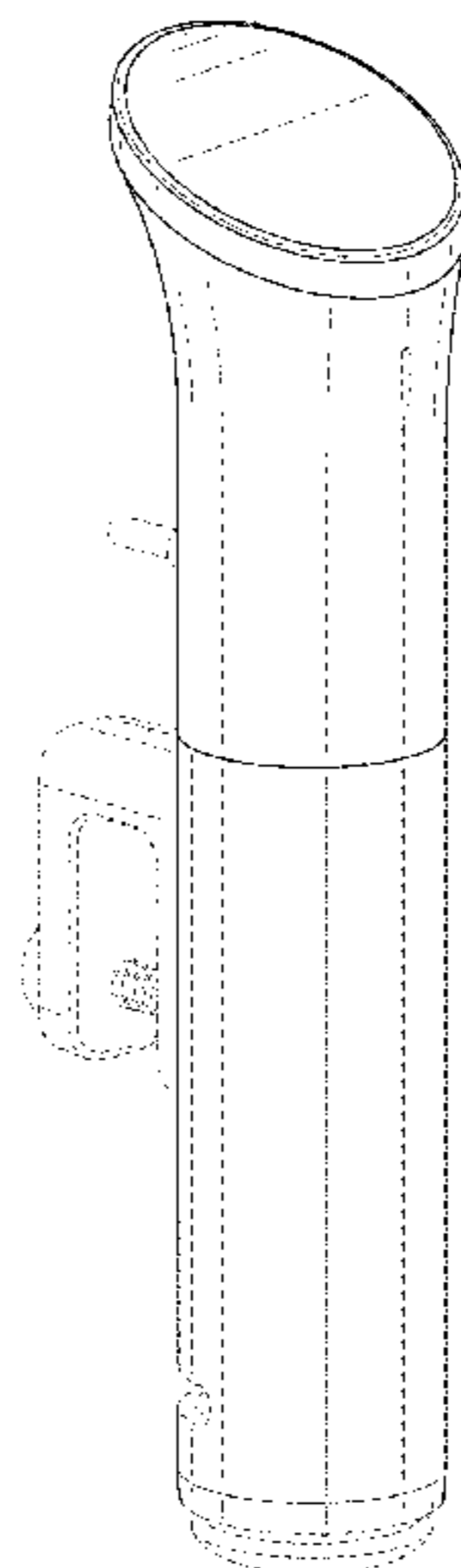
**DESCRIPTION**

**U.S. PATENT DOCUMENTS**

- 3,270,661 A 9/1966 Juvan
- 5,336,401 A 8/1994 Tu
- D496,651 S \* 9/2004 Borsboom ..... D14/216
- D527,502 S 8/2006 Yoshimoto et al.
- 7,389,629 B2 6/2008 Tretina
- D748,052 S \* 1/2016 Behar ..... D13/107
- D771,562 S \* 11/2016 Dolle ..... D13/107
- 9,615,689 B2 4/2017 Plazarte et al.
- 9,687,104 B2 6/2017 Wu et al.
- D792,736 S 7/2017 Chen
- 9,826,855 B2 11/2017 Wu
- D808,926 S \* 1/2018 Kim ..... D14/216
- D836,967 S 1/2019 Lin
- D837,732 S \* 1/2019 Derouineau ..... D13/107

FIG. 1 is a front perspective view of a circulator cooker showing our new design;  
FIG. 2 is a rear perspective view thereof;  
FIG. 3 is a front view thereof;  
FIG. 4 is a rear view thereof;  
FIG. 5 is a left side view thereof;  
FIG. 6 is a right side view thereof;  
FIG. 7 is a top plan view thereof; and,  
FIG. 8 is a bottom plan view thereof.  
The broken lines in the drawings are for the purpose of illustrating unclaimed portions of the circulator cooker and form no part of the claimed design.

**1 Claim, 7 Drawing Sheets**



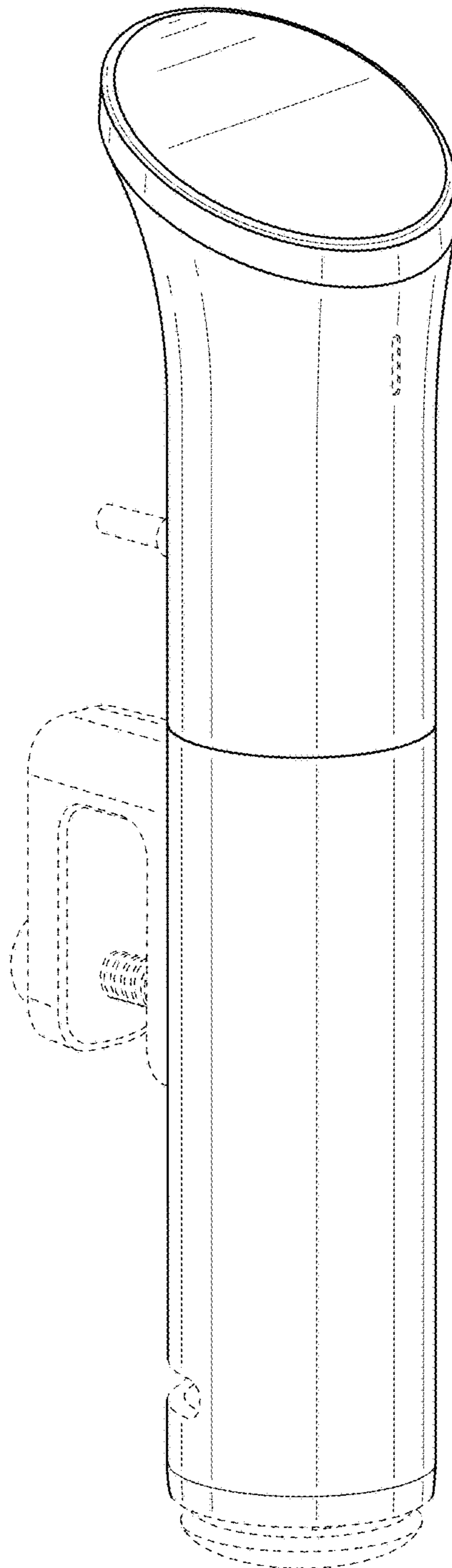


FIG. 1

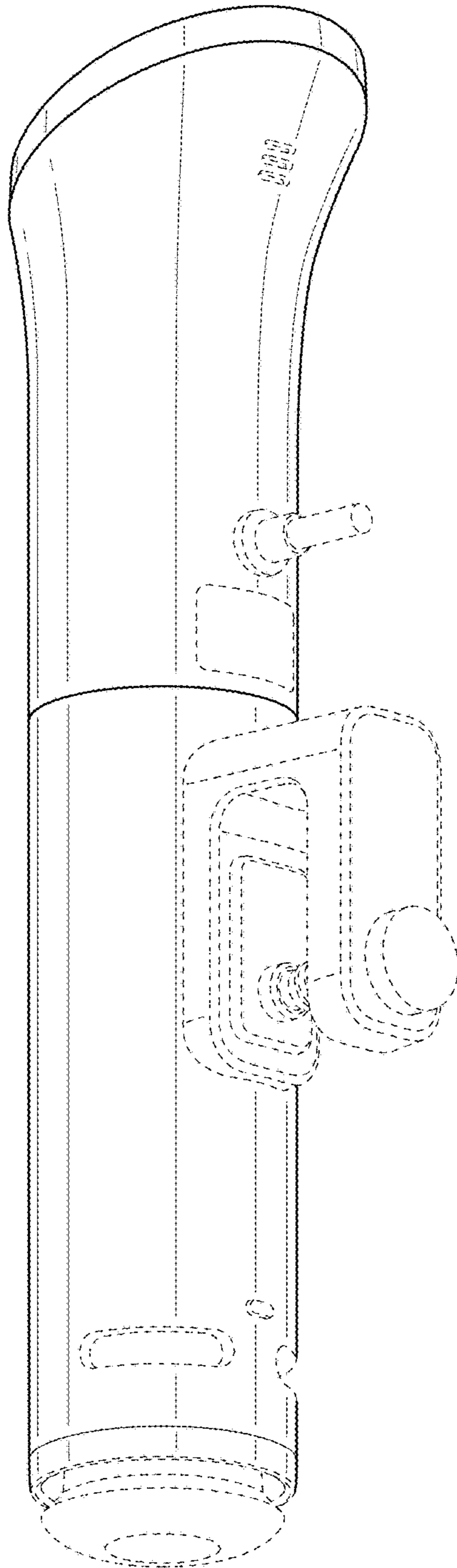


FIG. 2

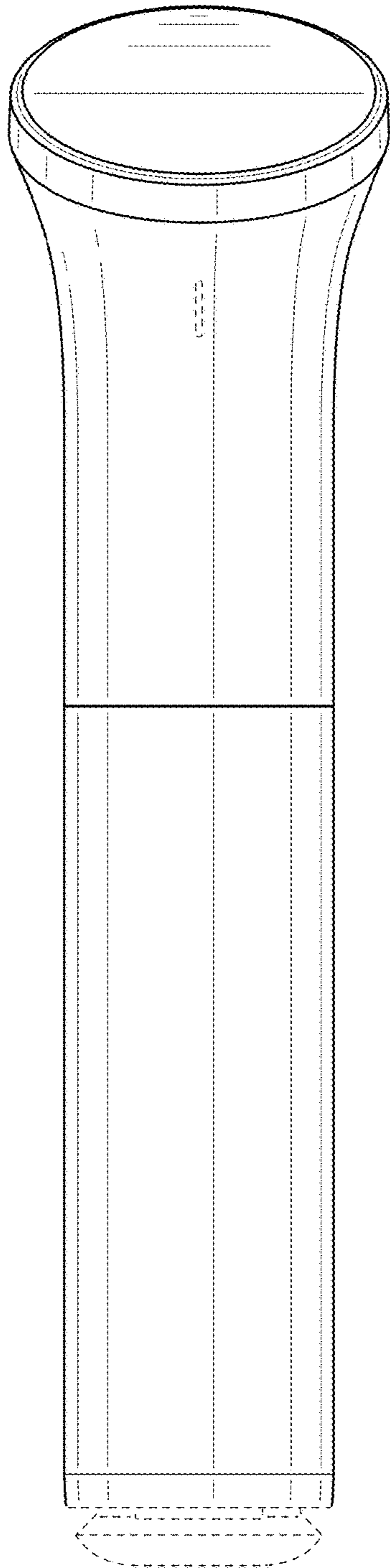


FIG. 3

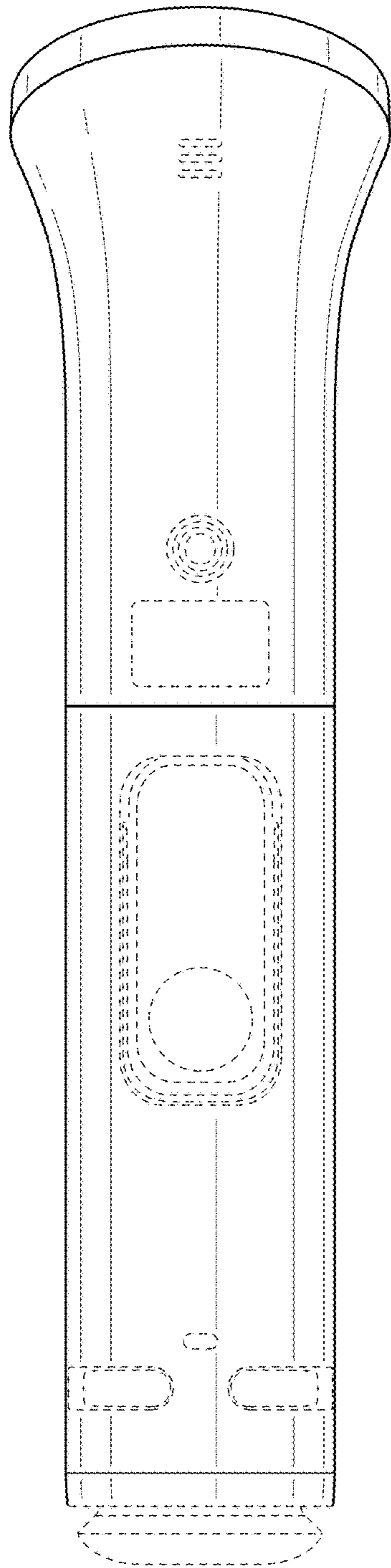


FIG. 4

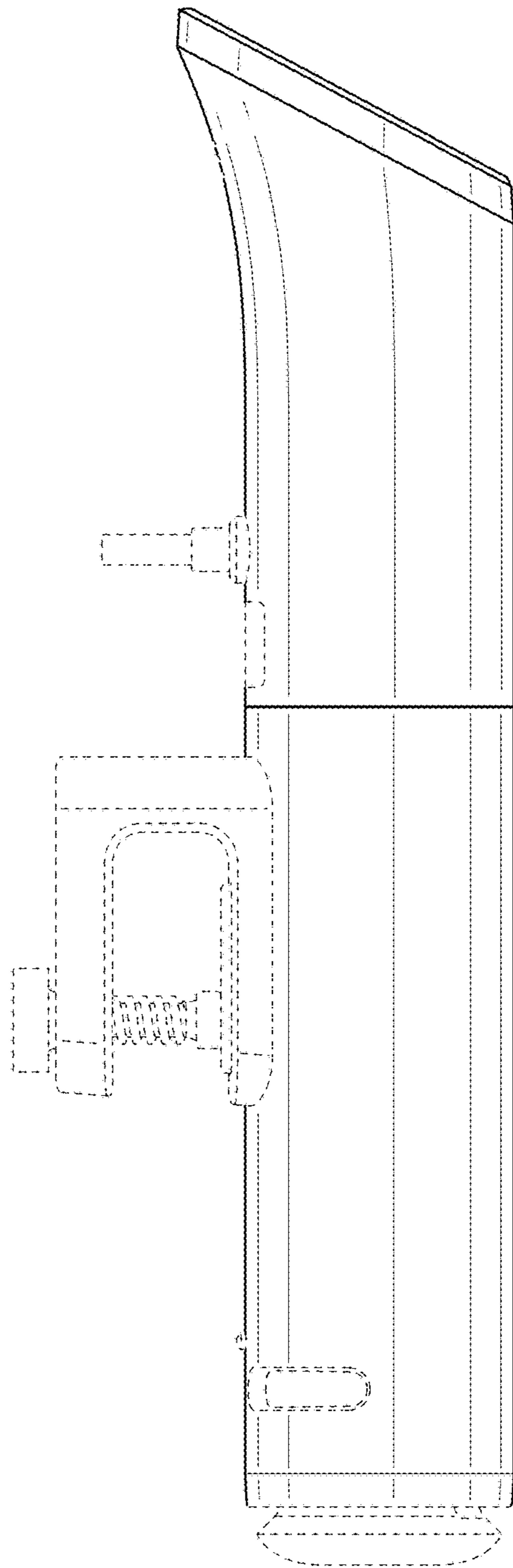


FIG. 5

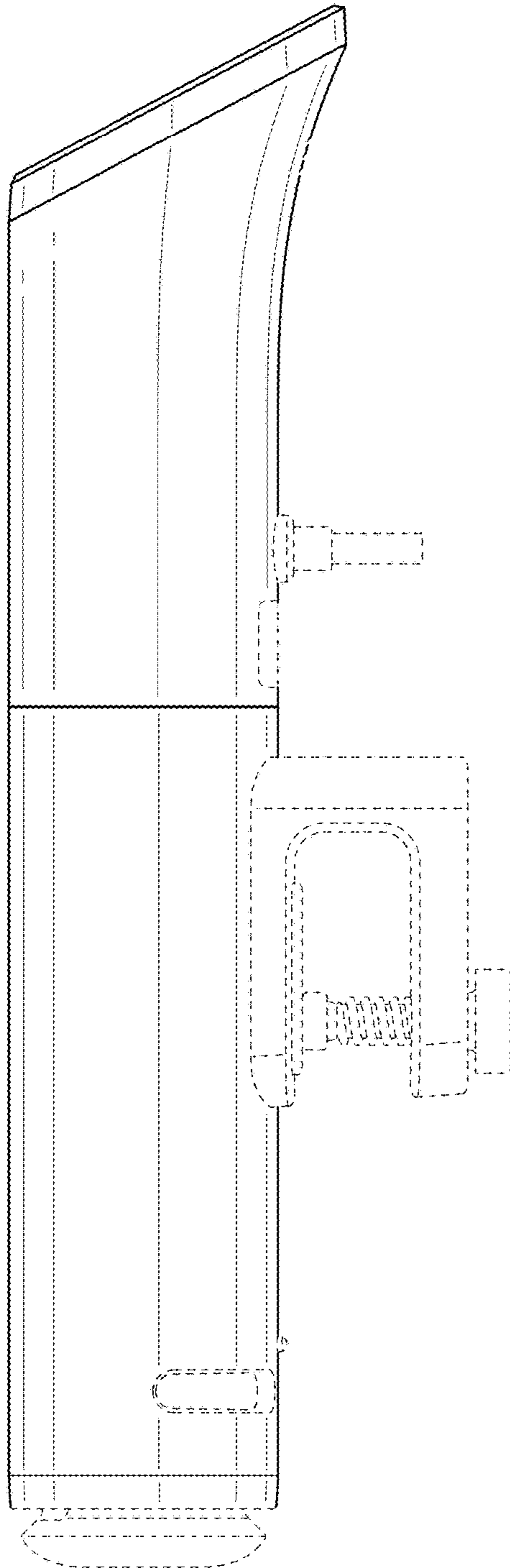


FIG. 6

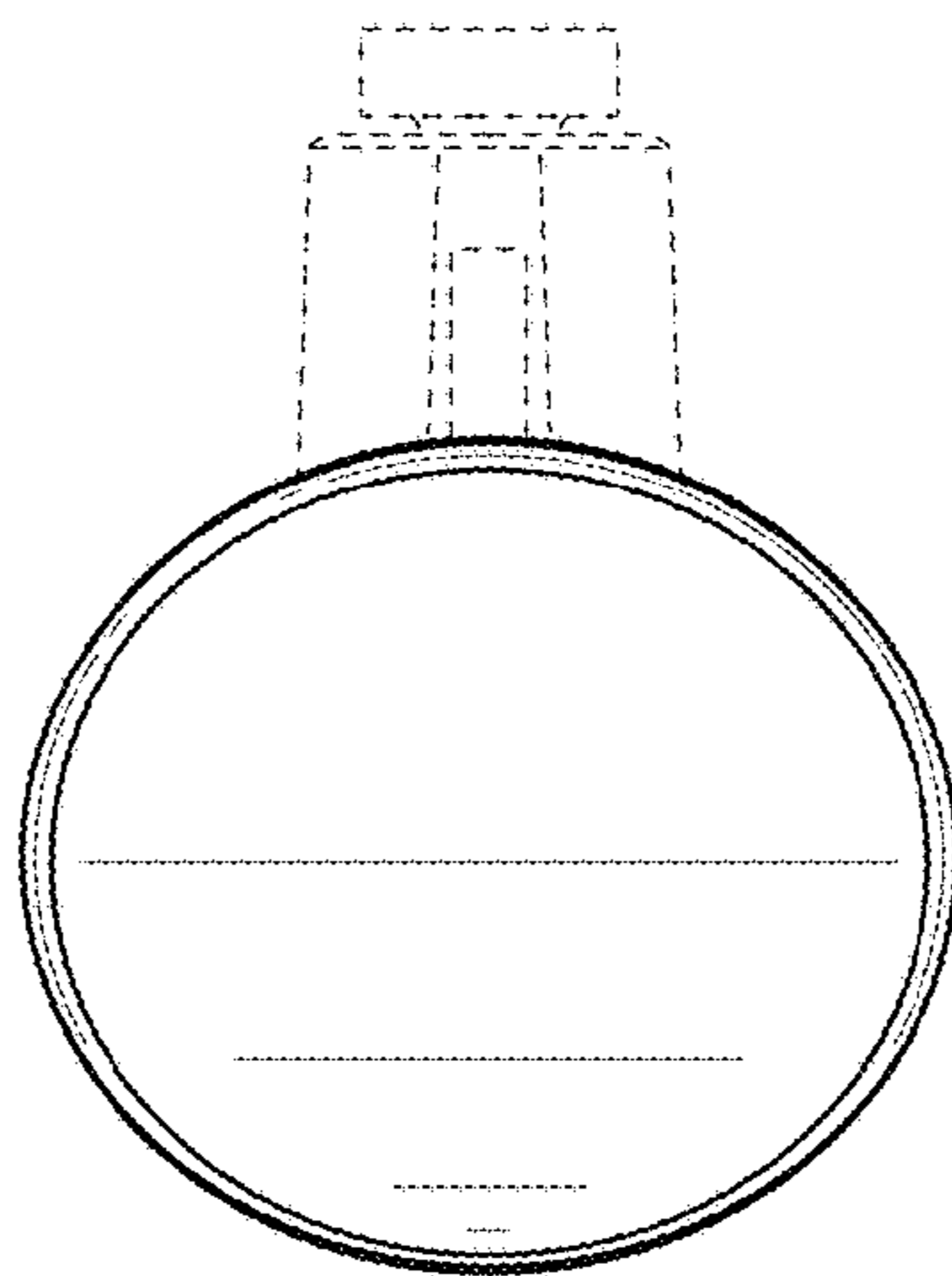


FIG. 7

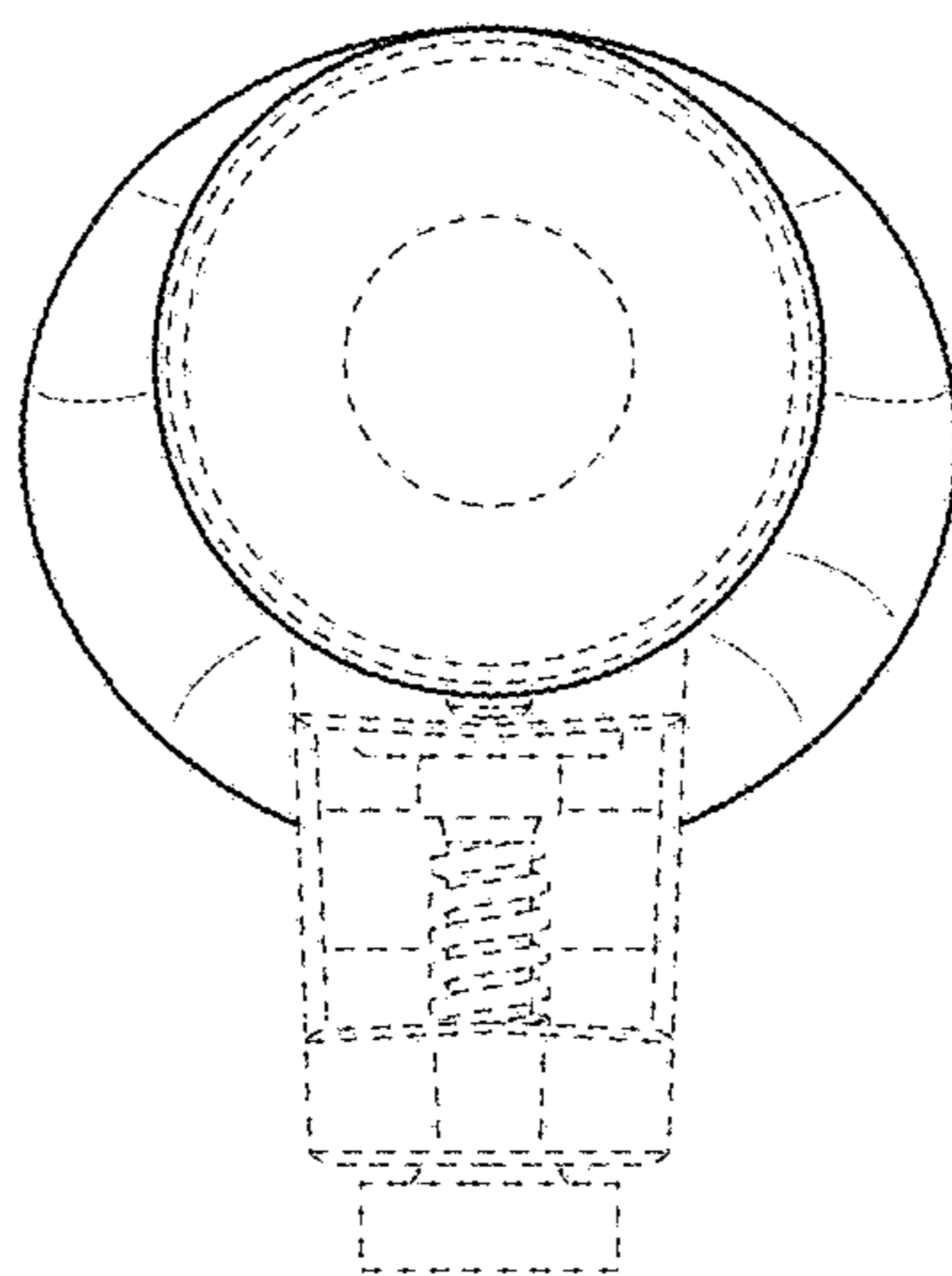


FIG. 8