



US00D862153S

(12) **United States Design Patent**
Chen

(10) **Patent No.:** **US D862,153 S**

(45) **Date of Patent:** **** Oct. 8, 2019**

(54) **COOKING POT**

(71) Applicant: **Hsien-Chen Chen**, New Taipei (TW)

(72) Inventor: **Hsien-Chen Chen**, New Taipei (TW)

(**) Term: **15 Years**

(21) Appl. No.: **29/658,072**

(22) Filed: **Jul. 27, 2018**

(51) **LOC (12) Cl.** **07-02**

(52) **U.S. Cl.**

USPC **D7/357**; D7/354

(58) **Field of Classification Search**

USPC D7/323, 354–363, 391, 393–396, 409,
D7/555, 587; D9/425, 430–433,
D9/455–456, 737, 756–762

CPC A47G 19/12; A47J 27/00; A47J 27/002;
A47J 27/08; A47J 27/21; A47J 27/58;
A47J 36/025; A47J 36/06; A47J 36/12;
A47J 37/00; A47J 37/10; A47J 37/101;
A47J 37/103; A47J 37/12; A47J 37/1204;
A47J 45/061; A47J 45/071; A47J 45/08;
H05B 6/12

See application file for complete search history.

(56) **References Cited**

U.S. PATENT DOCUMENTS

D89,791 S * 5/1933 Pittman D7/555
D232,302 S * 8/1974 Lazure D9/761
D367,587 S * 3/1996 Perlmutter D7/553.3

D413,044 S * 8/1999 Zappolo D7/555
D633,341 S * 3/2011 Smyers D7/553.3
D686,499 S * 7/2013 Wilmers D9/456
D693,180 S * 11/2013 Peterson D7/555
D749,351 S * 2/2016 Chen D7/354
D792,211 S * 7/2017 Foster D9/425
D828,076 S * 9/2018 Chen D7/357
D840,741 S * 2/2019 Chen D7/357
D840,742 S * 2/2019 Chen D7/357
D840,743 S * 2/2019 Chen D7/357

* cited by examiner

Primary Examiner — Ricky Pham

(74) *Attorney, Agent, or Firm* — Browdy and Neimark,
PLLC

(57) **CLAIM**

The ornamental design for a cooking pot, as shown and described.

DESCRIPTION

FIG. 1 is a perspective view of a cooking pot showing my new design;

FIG. 2 is a front view thereof;

FIG. 3 is a rear view thereof;

FIG. 4 is a left side view thereof;

FIG. 5 is a right side view thereof;

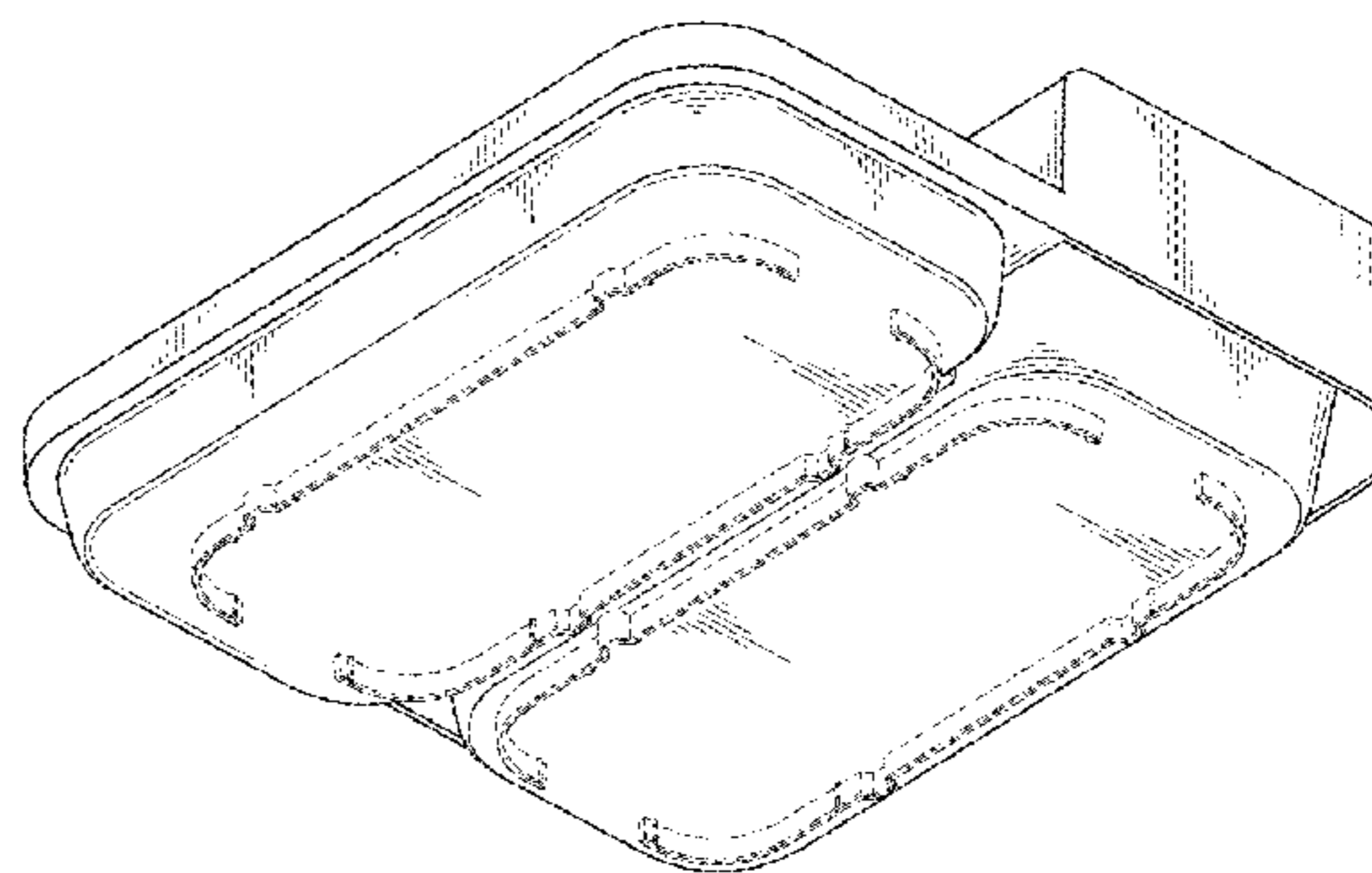
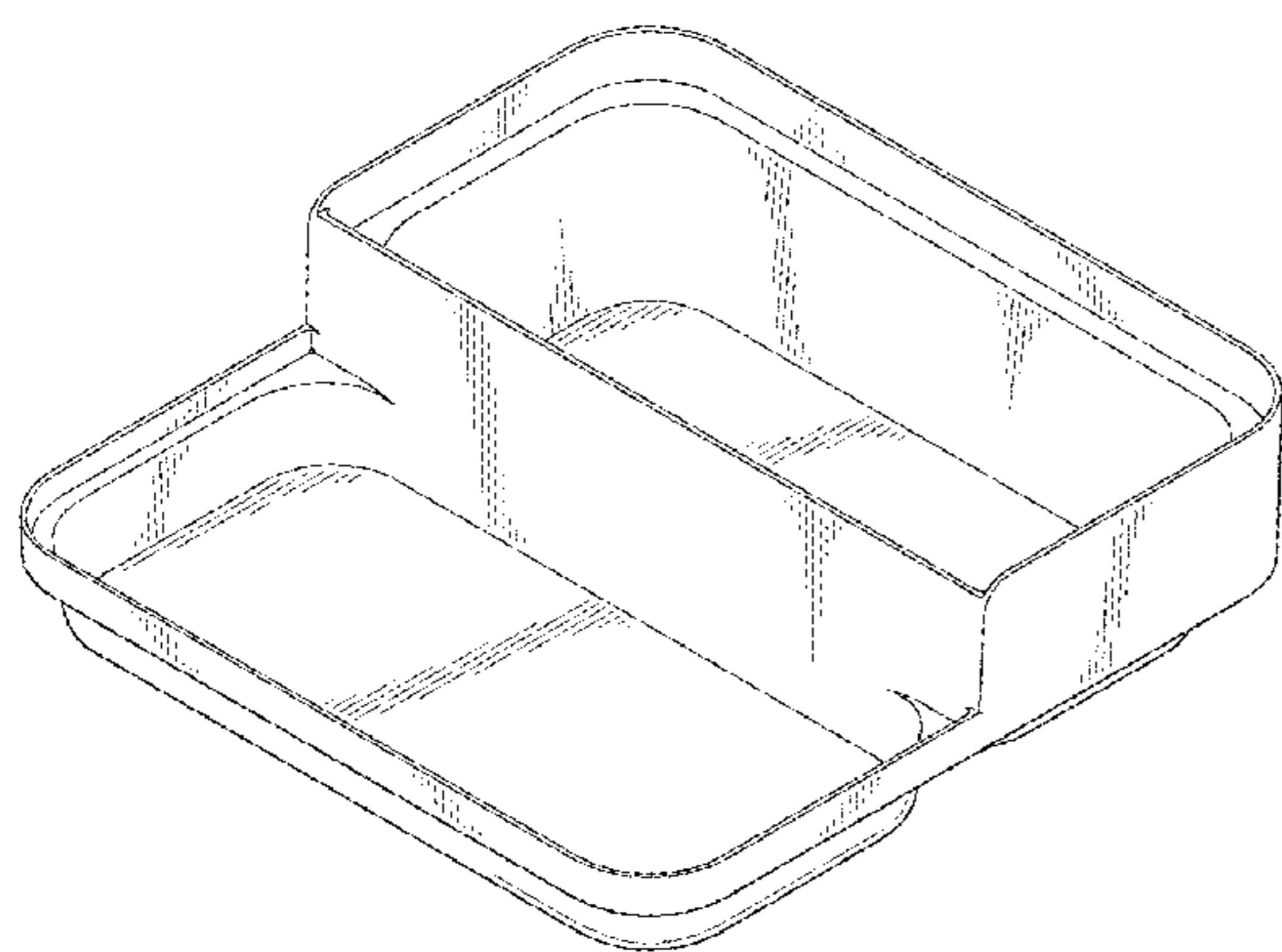
FIG. 6 is a top view thereof;

FIG. 7 is a bottom view thereof; and,

FIG. 8 is another perspective view thereof.

The portions of the figures shown in broken lines depict environmental subject matter, are for illustration only and form no part of the claimed design.

1 Claim, 8 Drawing Sheets



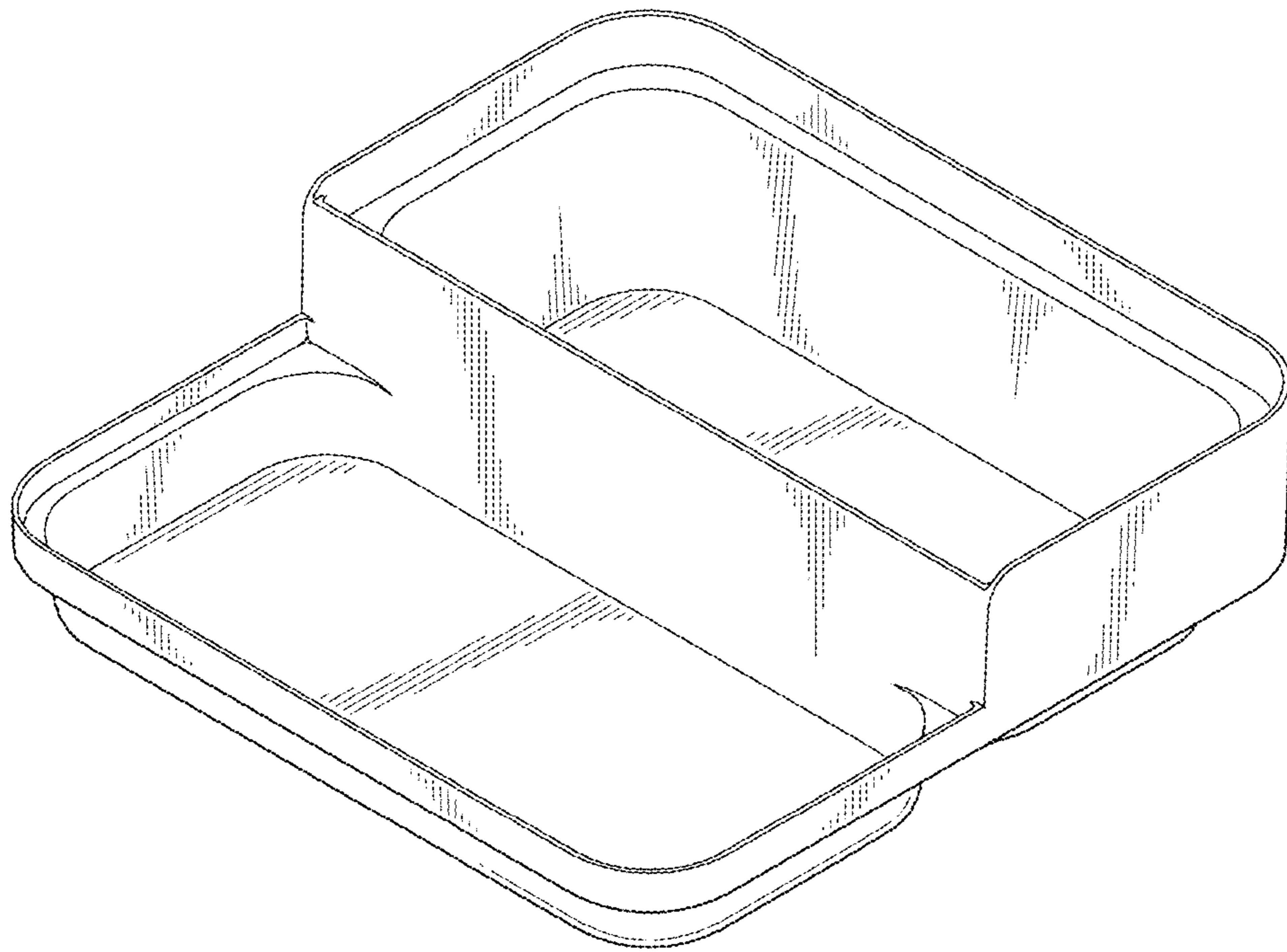


FIG.1

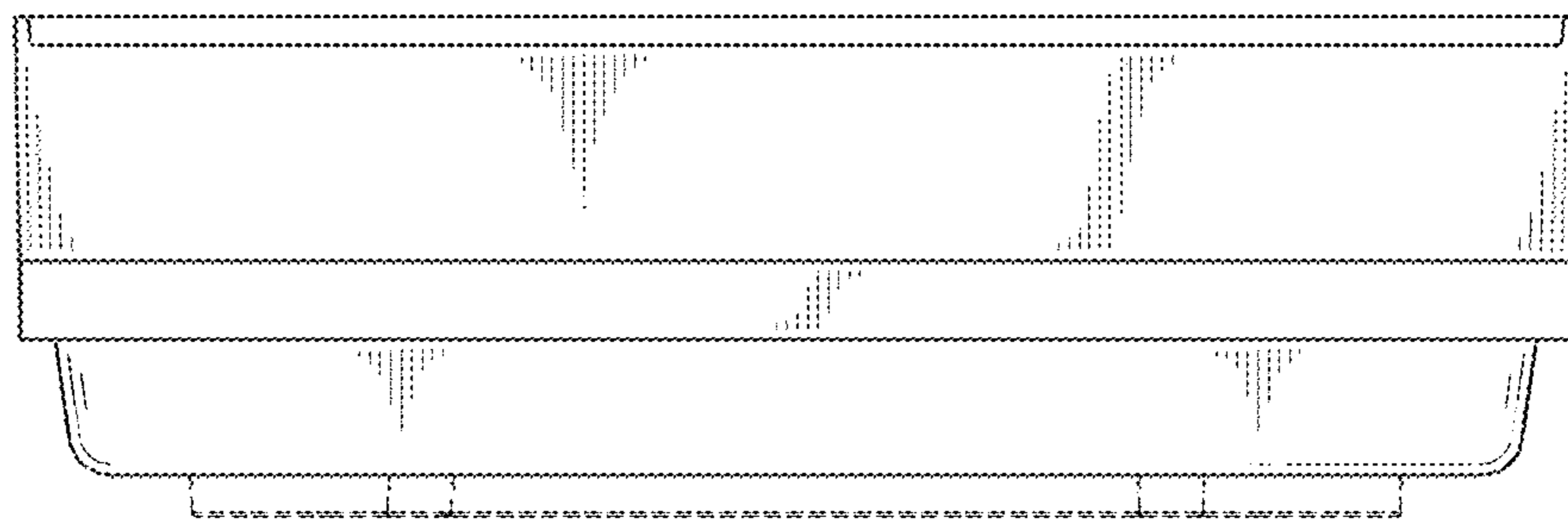


FIG.2

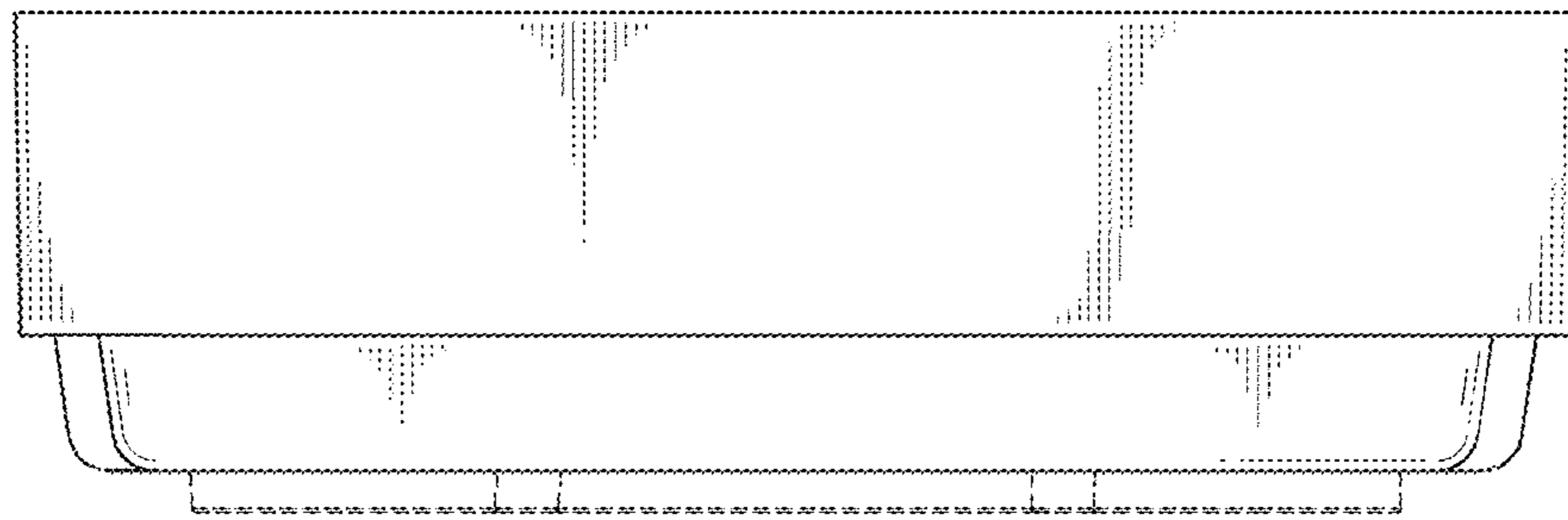


FIG.3

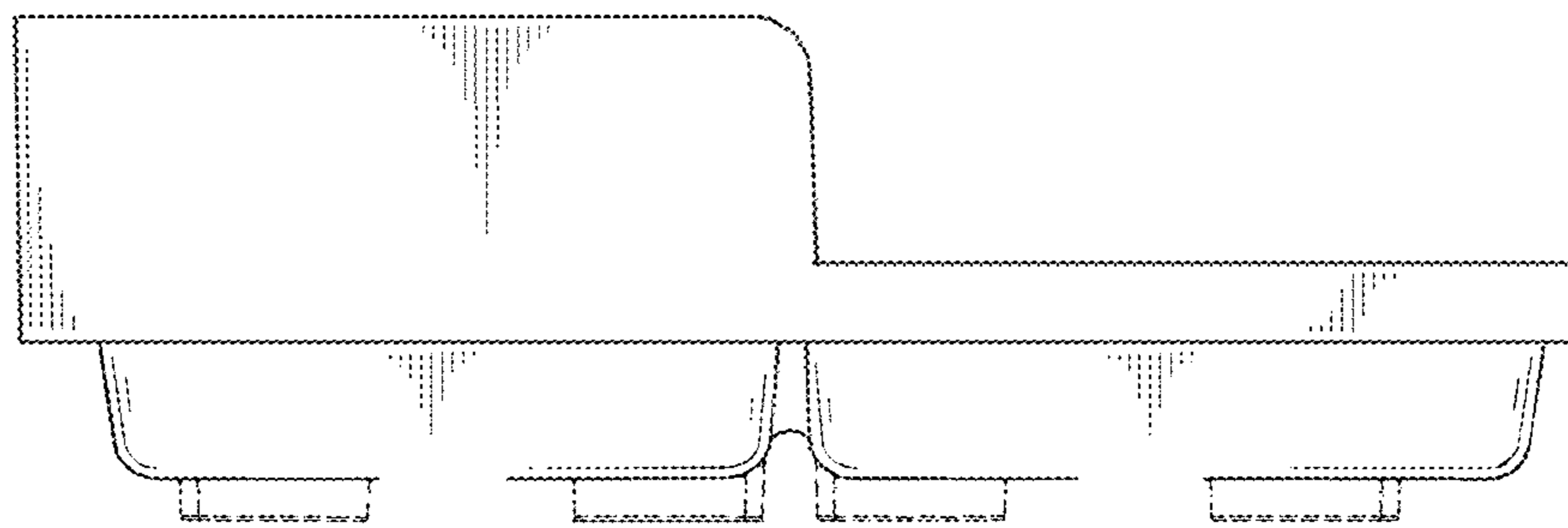


FIG.4

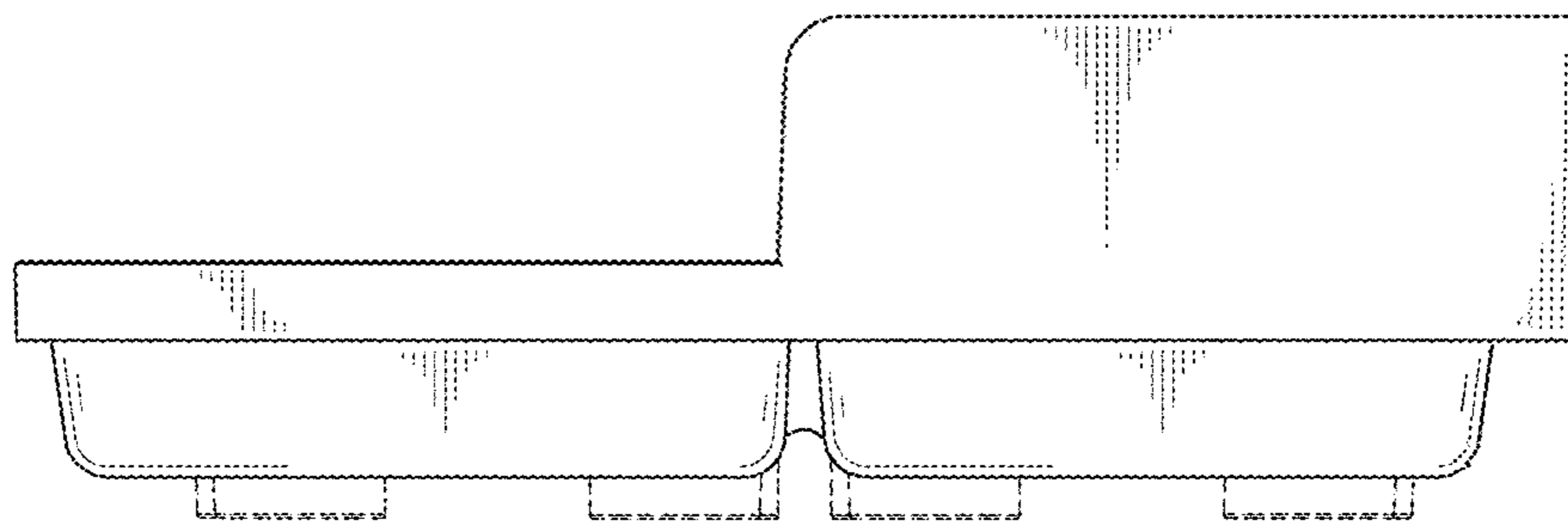


FIG.5

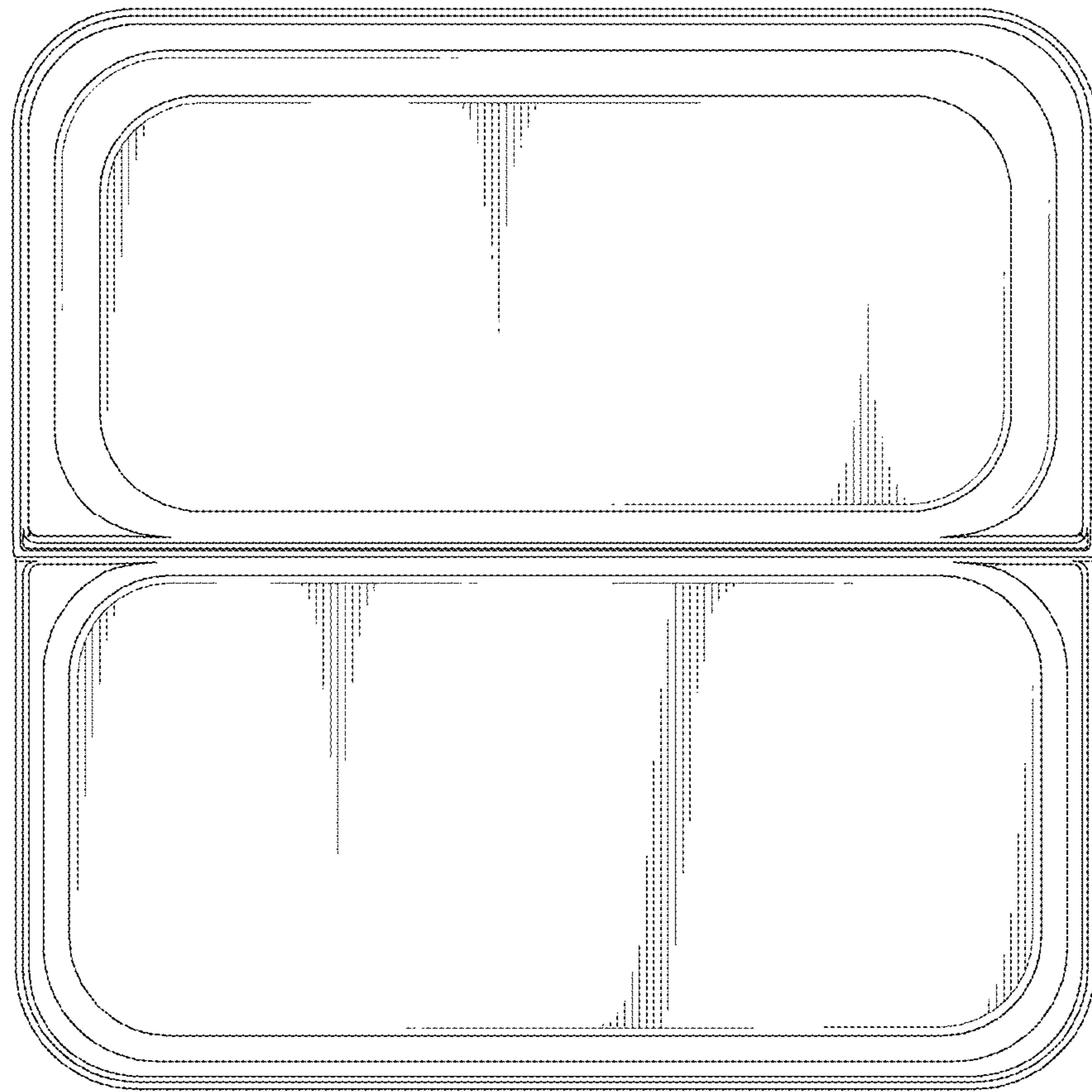


FIG.6

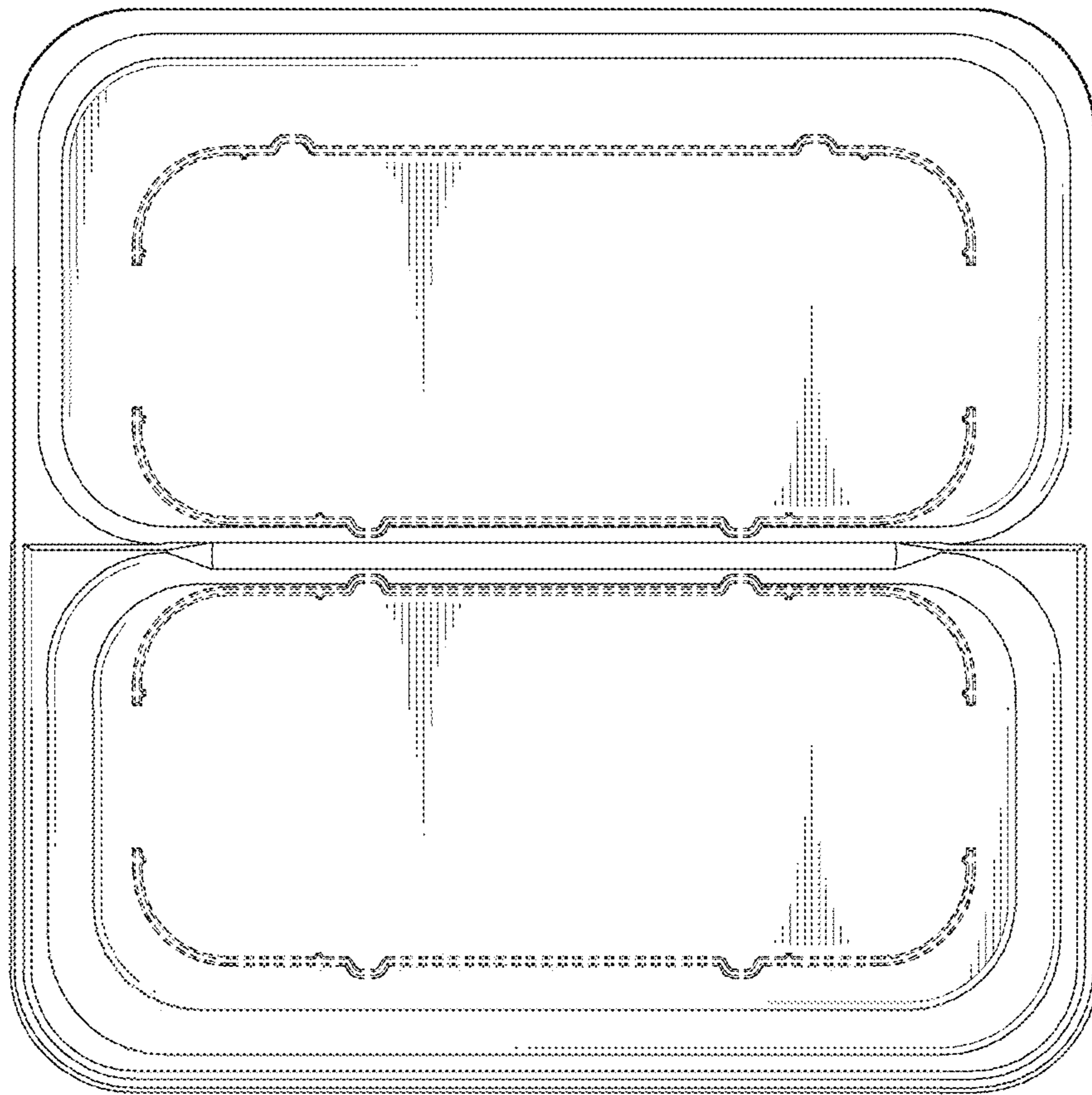


FIG.7

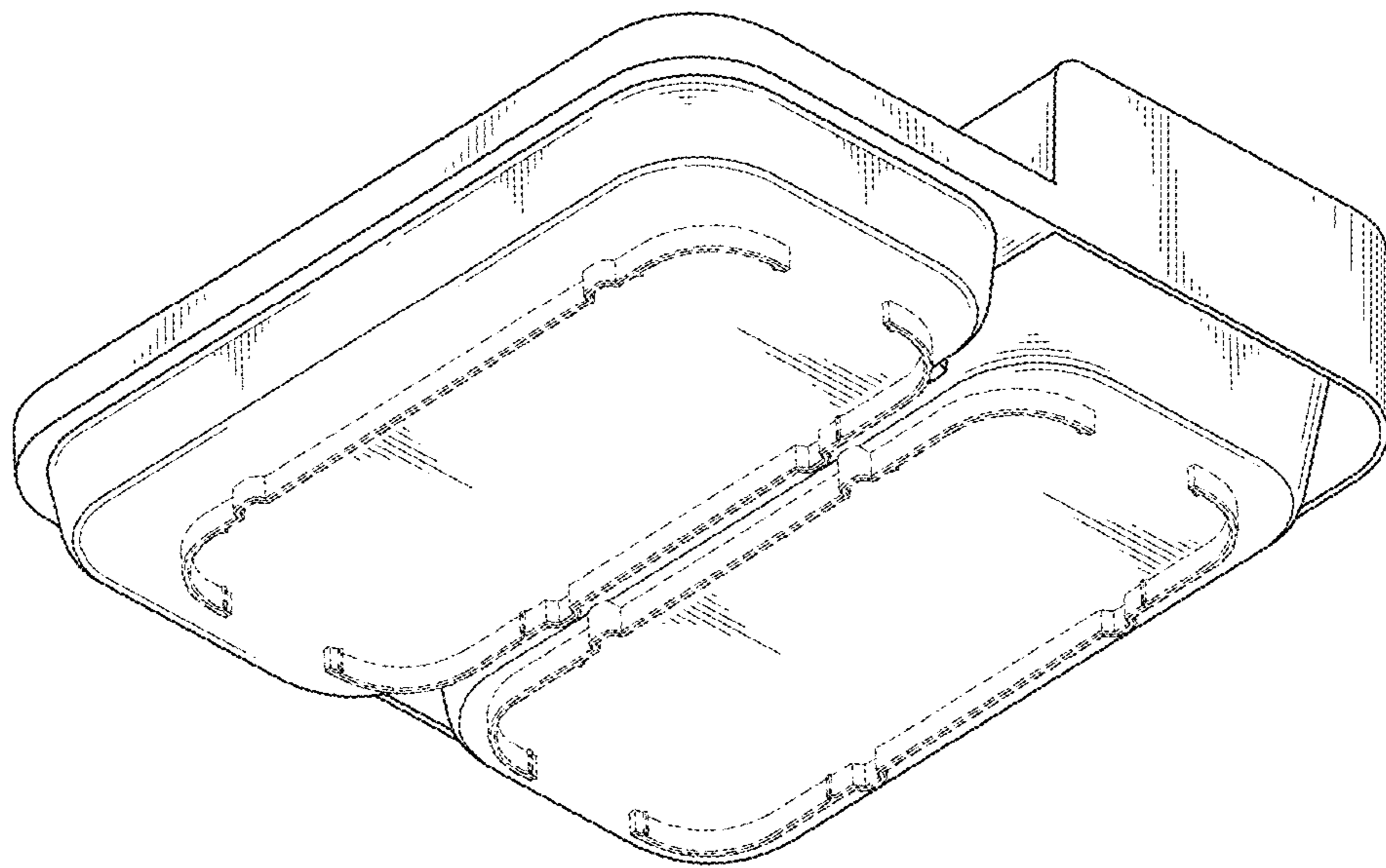


FIG.8