



US00D862152S

(12) **United States Design Patent** (10) **Patent No.:** **US D862,152 S**
Huang (45) **Date of Patent:** **** Oct. 8, 2019**

(54) **AIRFRYER**
(71) Applicant: **Xiu-Hong Huang**, Foshan (CN)
(72) Inventor: **Xiu-Hong Huang**, Foshan (CN)
(**) Term: **15 Years**
(21) Appl. No.: **29/643,556**
(22) Filed: **Apr. 10, 2018**

(30) **Foreign Application Priority Data**

Oct. 13, 2017 (CN) 2017 3 0487708

(51) **LOC (12) Cl.** **07-02**

(52) **U.S. Cl.**
USPC **D7/354**

(58) **Field of Classification Search**

USPC D7/323, 326, 350.2, 354-361
CPC A23L 1/01; A23L 1/0107; A23L 1/0114;
A47J 27/00; A47J 27/08; A47J 27/09;
A47J 27/092; A47J 36/025; A47J 36/06;
A47J 36/08; A47J 36/10; A47J 36/12;
A47J 36/165; A47J 36/18; A47J 36/20;
A47J 36/22; A47J 37/00; A47J 37/12;
A47J 37/1204; A47J 37/1209; A47J
37/1214; A47J 37/1219; A47J 37/1266;
A47J 37/1285; A47J 37/129; A47J
37/1295; G07F 17/0064; G07F 17/0078;
G07F 17/0085; H05B 6/02; H05B 6/06;
H05B 6/12

See application file for complete search history.

(56) **References Cited**

U.S. PATENT DOCUMENTS

D379,735 S * 6/1997 Hamada D7/350.2
D410,815 S * 6/1999 Oger D7/354

D422,447 S * 4/2000 Josancy D7/354
D474,937 S * 5/2003 Josancy D7/354
D668,908 S * 10/2012 De' Longhi D7/354
D698,593 S * 2/2014 Ishikawa D7/354
D734,973 S * 7/2015 Leavitt D7/323
D814,232 S * 4/2018 Barquin D7/354
D823,634 S * 7/2018 Miyawaki D7/354
D831,402 S * 10/2018 Patel D7/326
D836,381 S * 12/2018 Moon D7/354
D839,040 S * 1/2019 Seymour D7/354
D841,388 S * 2/2019 Zhang D7/354

* cited by examiner

Primary Examiner — Ricky Pham

(74) *Attorney, Agent, or Firm* — Rosenberg, Klein & Lee

(57) **CLAIM**

The ornamental design for an airfryer, as shown and described.

DESCRIPTION

FIG. 1 is a top perspective view of the airfryer, showing my new design;

FIG. 2 is a front elevational view thereof;

FIG. 3 is a rear elevational view thereof;

FIG. 4 is a left side elevational view thereof;

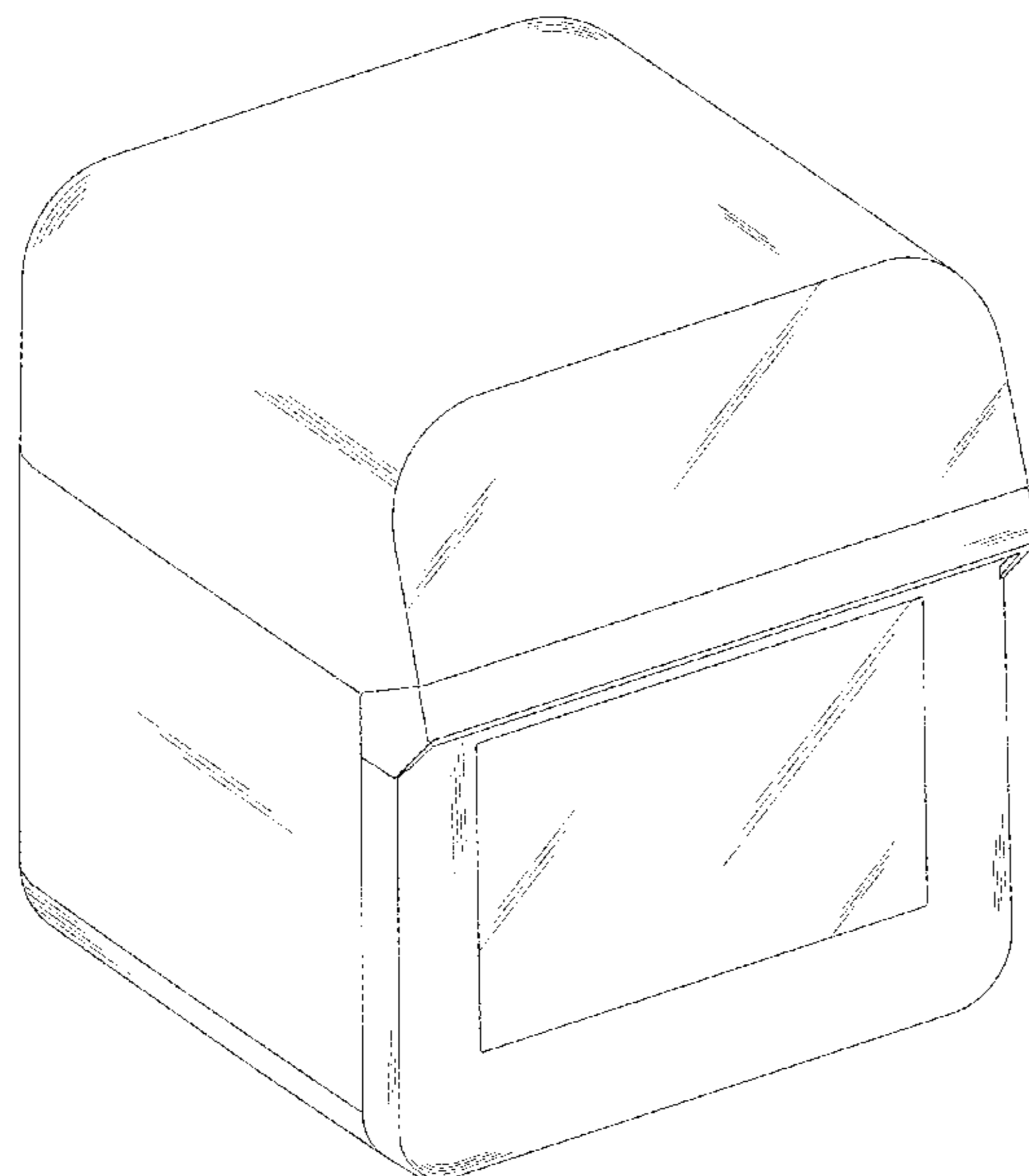
FIG. 5 is a right side elevational view thereof;

FIG. 6 is a top plan view thereof; and,

FIG. 7 is a bottom plan view thereof.

The shade lines in the figures show contour and not surface ornamentation.

1 Claim, 7 Drawing Sheets



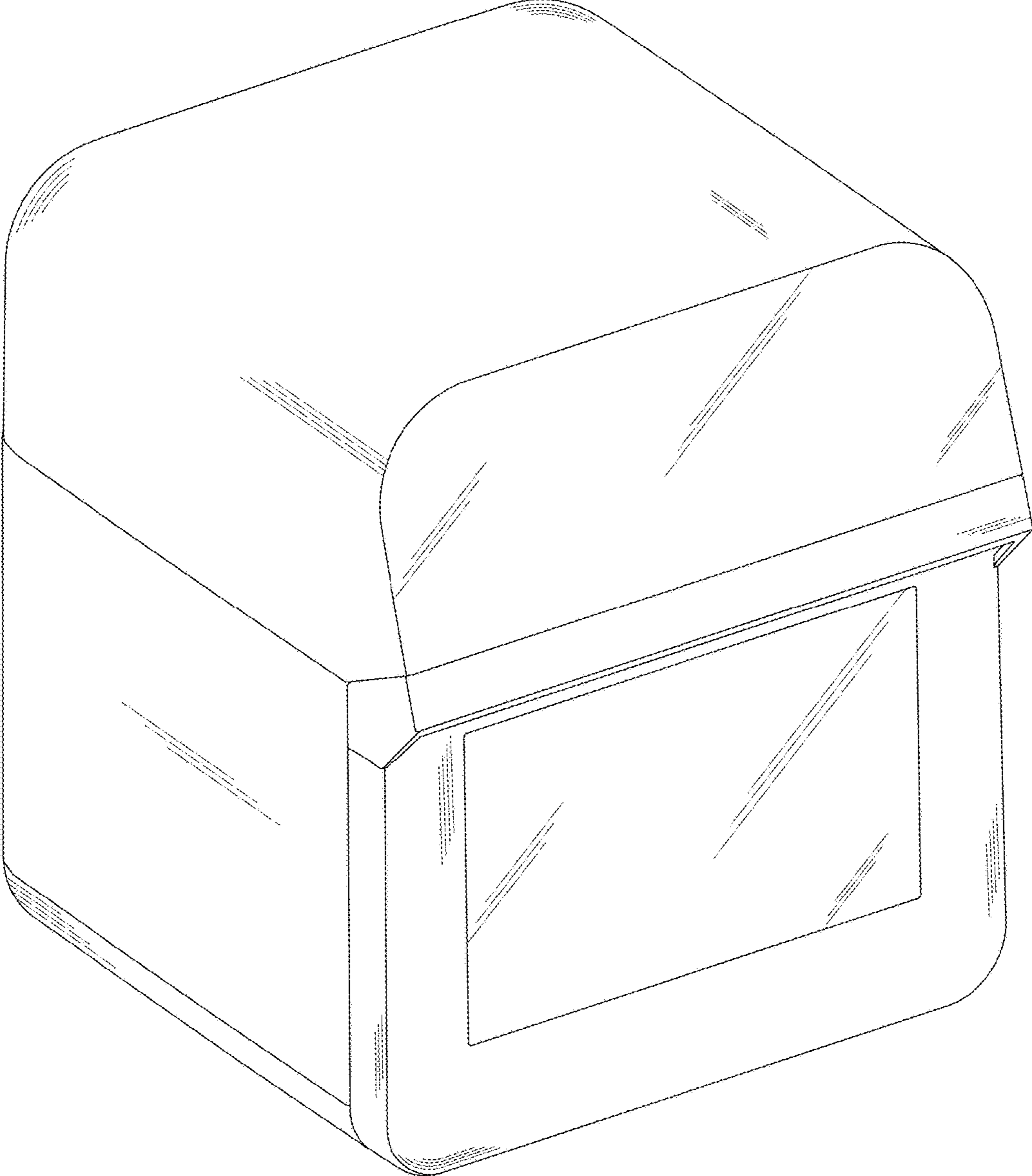


FIG.1

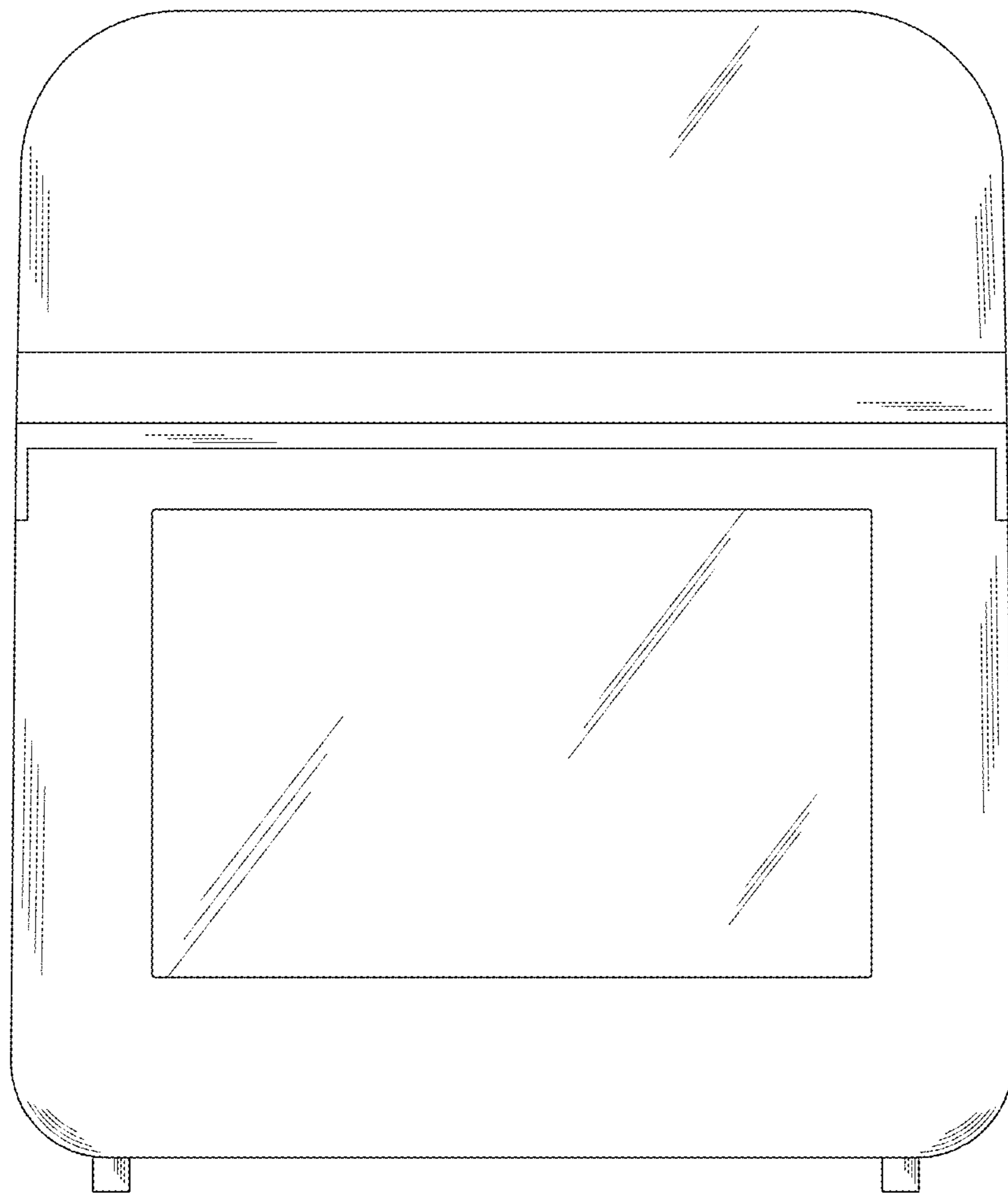


FIG.2

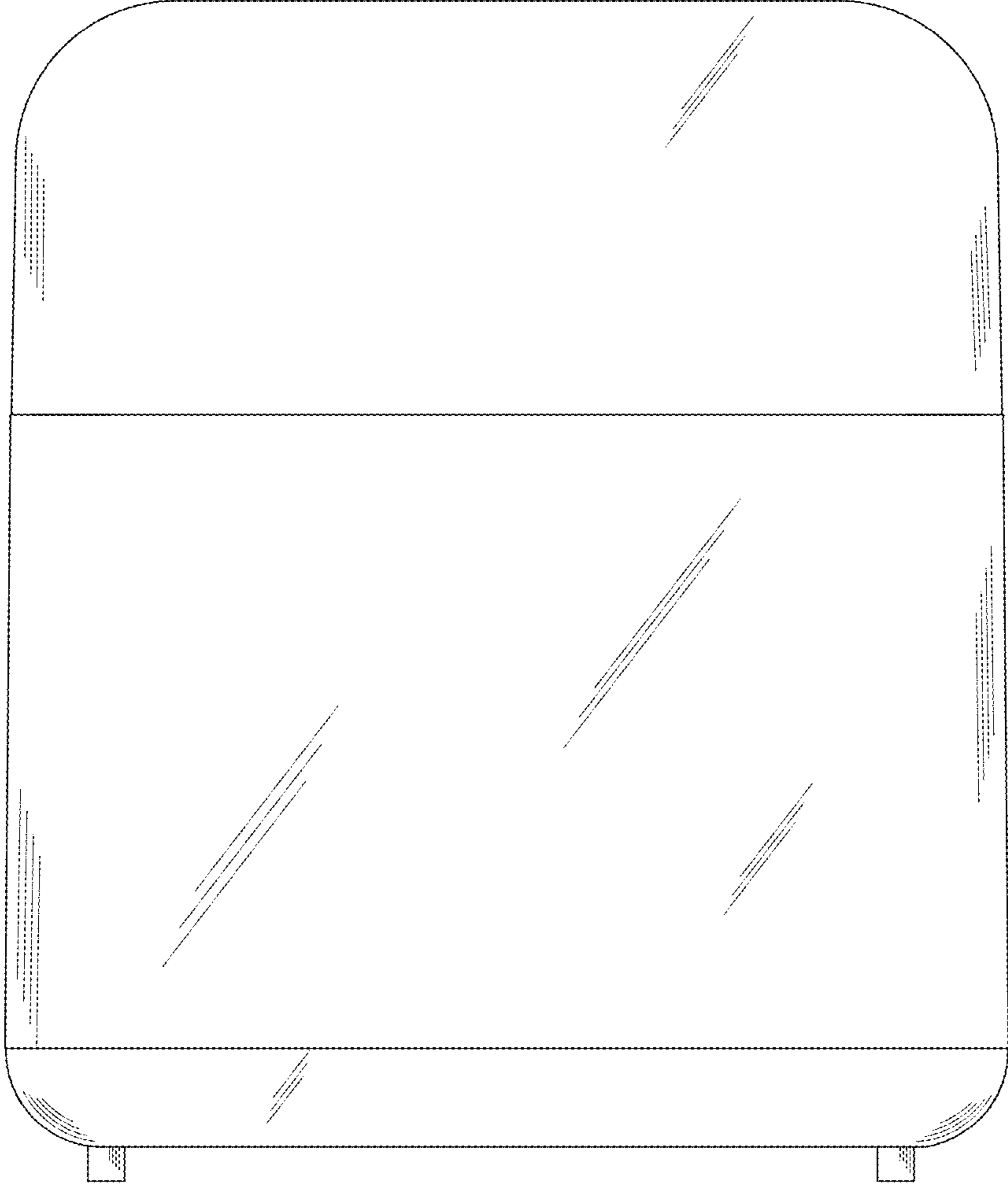


FIG.3

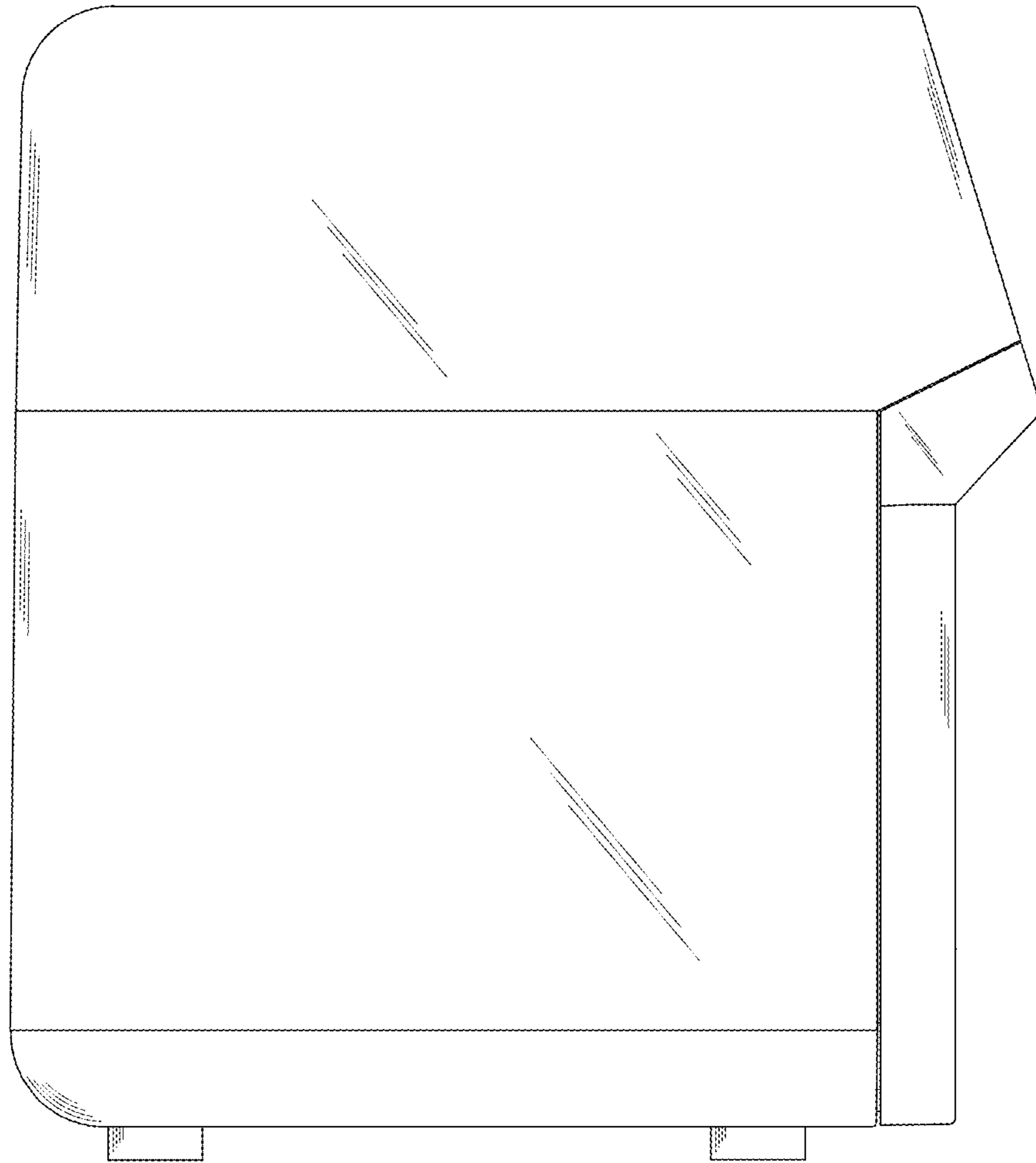


FIG.4

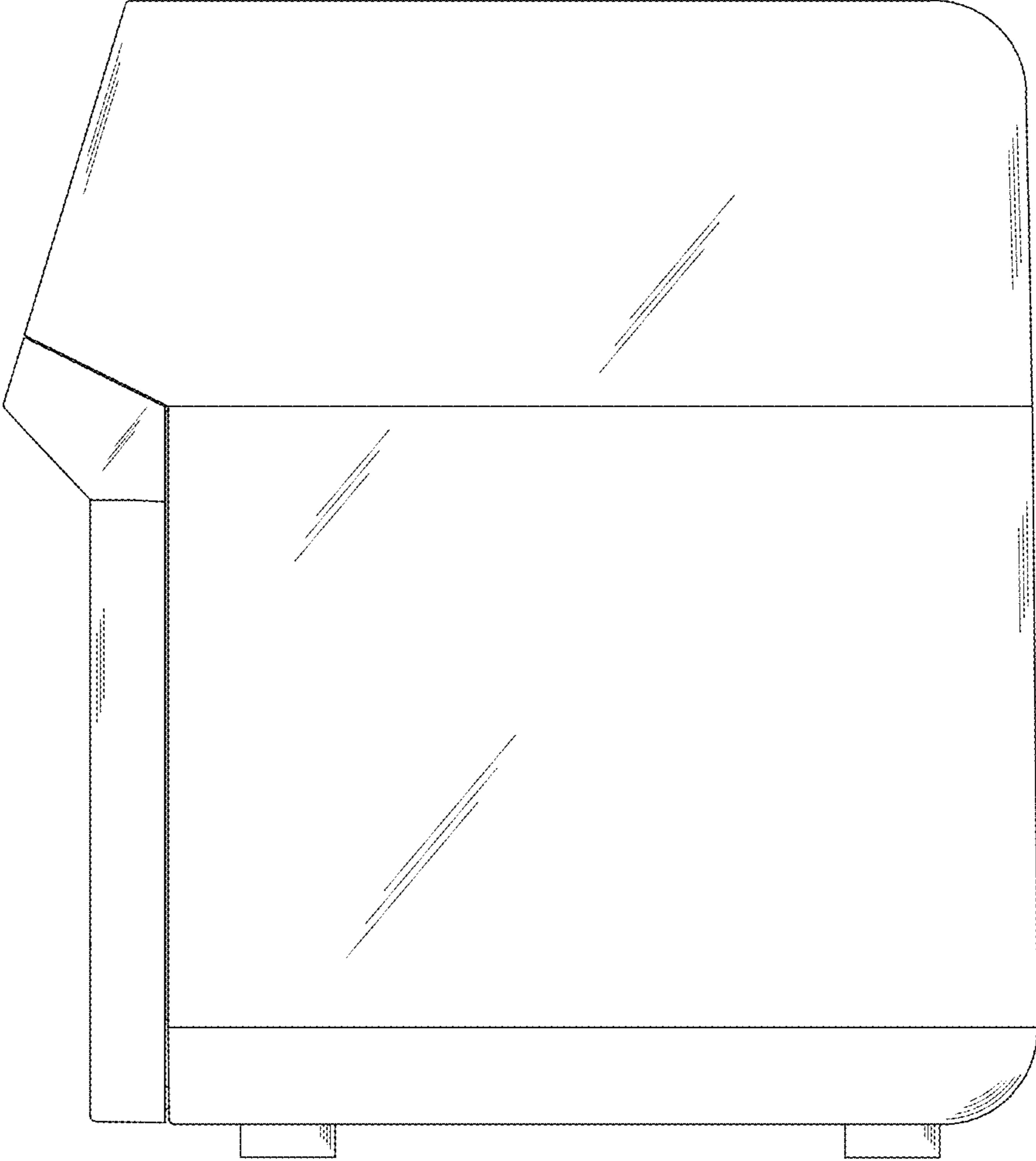


FIG.5

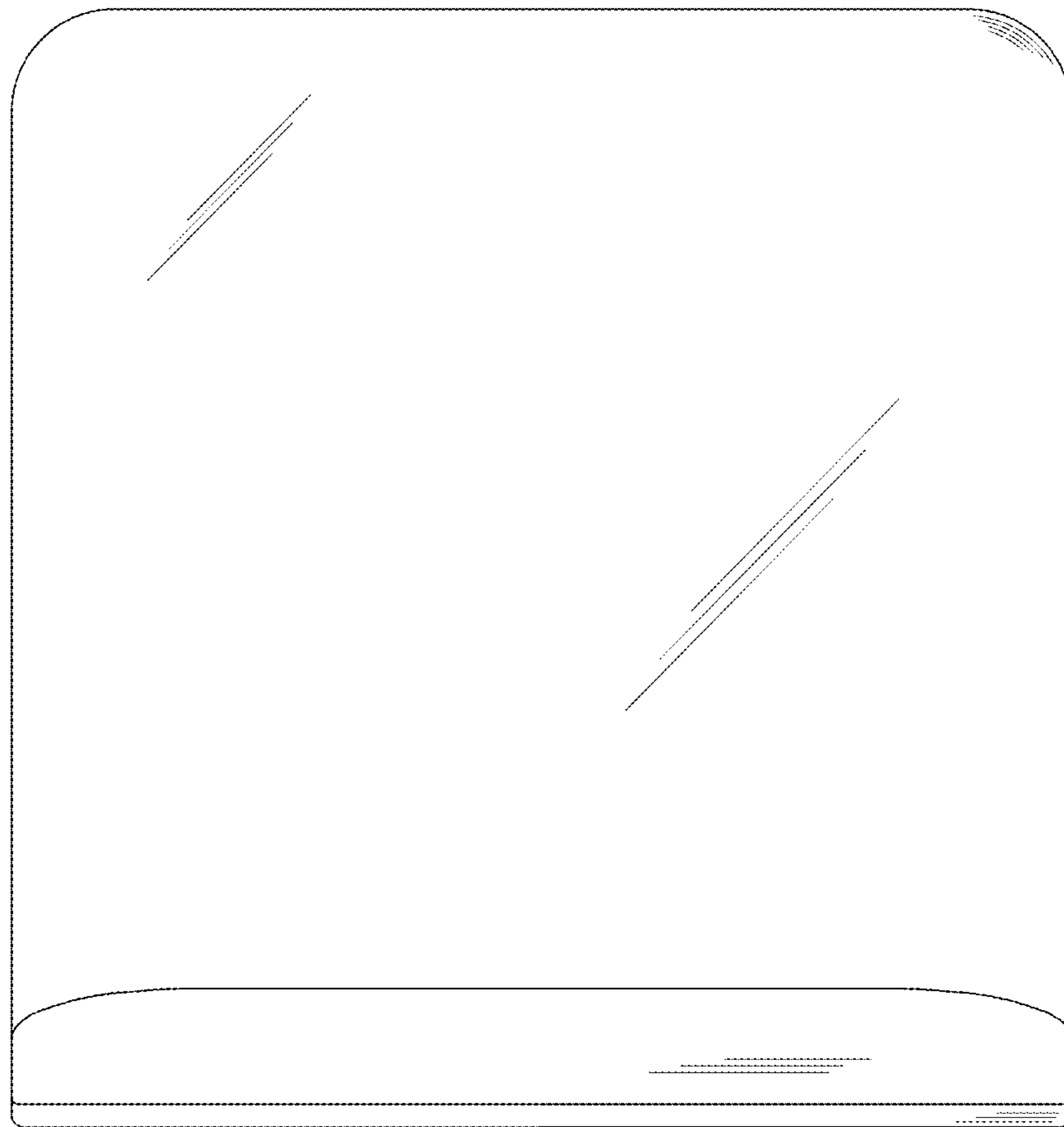


FIG.6

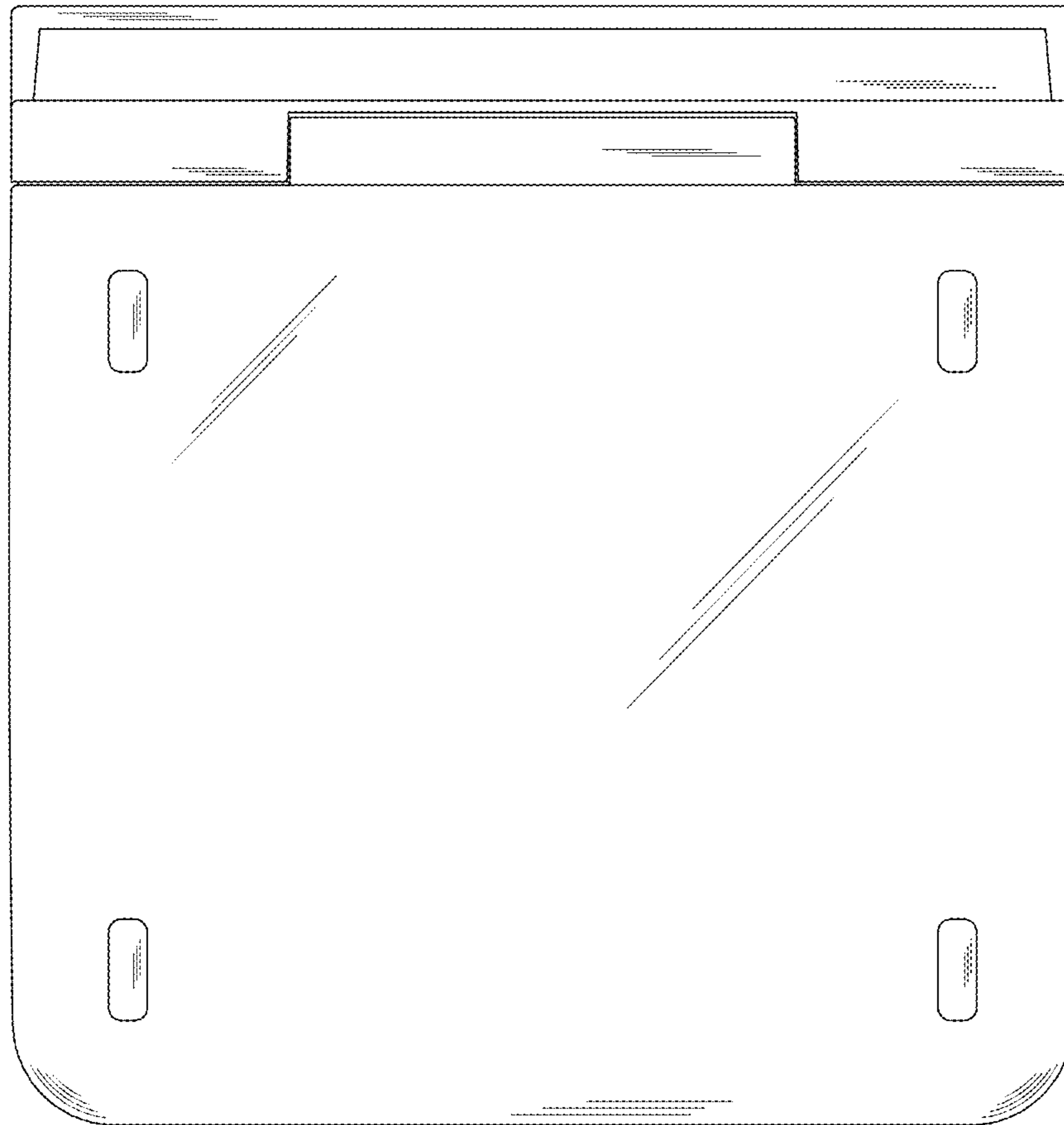


FIG. 7