

US00D862151S

(12) **United States Design Patent** (10) **Patent No.:** **US D862,151 S**
Ryu et al. (45) **Date of Patent:** **** Oct. 8, 2019**

(54) **INDUCTION HEATING RANGE**

(71) Applicant: **LG ELECTRONICS INC.**, Seoul (KR)

(72) Inventors: **Inhwan Ryu**, Seoul (KR); **Hongsik Kwon**, Seoul (KR); **Sooyeon Kim**, Seoul (KR); **Songyi Han**, Seoul (KR)

(73) Assignee: **LG ELECTRONICS INC.**, Seoul (KR)

(**) Term: **15 Years**

(21) Appl. No.: **35/505,514**

(22) Filed: **Jul. 19, 2018**

(80) **Hague Agreement Data**

Int. Filing Date: **Jul. 19, 2018**
Int. Reg. No.: **DM/102284**
Int. Reg. Date: **Jul. 19, 2018**
Int. Reg. Pub. Date: **Aug. 24, 2018**

(51) **LOC (12) Cl.** **07-02**

(52) **U.S. Cl.**
USPC **D7/346**

(58) **Field of Classification Search**
USPC D7/323, 336, 337, 339, 340, 346, 347, D7/348, 402-409, 387
CPC H05B 6/1209; H05B 1/0266; H05B 2206/02; F24C 7/043; F24C 7/082
See application file for complete search history.

(56) **References Cited**

U.S. PATENT DOCUMENTS

D508,366 S *	8/2005	Wilsdorf	D7/346
D509,095 S *	9/2005	Grutzke	D7/346
D706,576 S *	6/2014	Boo	D7/407
D793,795 S *	8/2017	Suh	D7/323
D833,797 S *	11/2018	Chung	D7/346
D833,798 S *	11/2018	Chung	D7/346
D833,799 S *	11/2018	Chung	D7/346
D833,800 S *	11/2018	Chung	D7/346
D834,371 S *	11/2018	Funnell, II	D7/402
D836,375 S *	12/2018	Chung	D7/346
D849,478 S *	5/2019	Pionek	D7/406

* cited by examiner

Primary Examiner — Michael A. Pratt

(74) *Attorney, Agent, or Firm* — Birch, Stewart, Kolasch & Birch, LLP

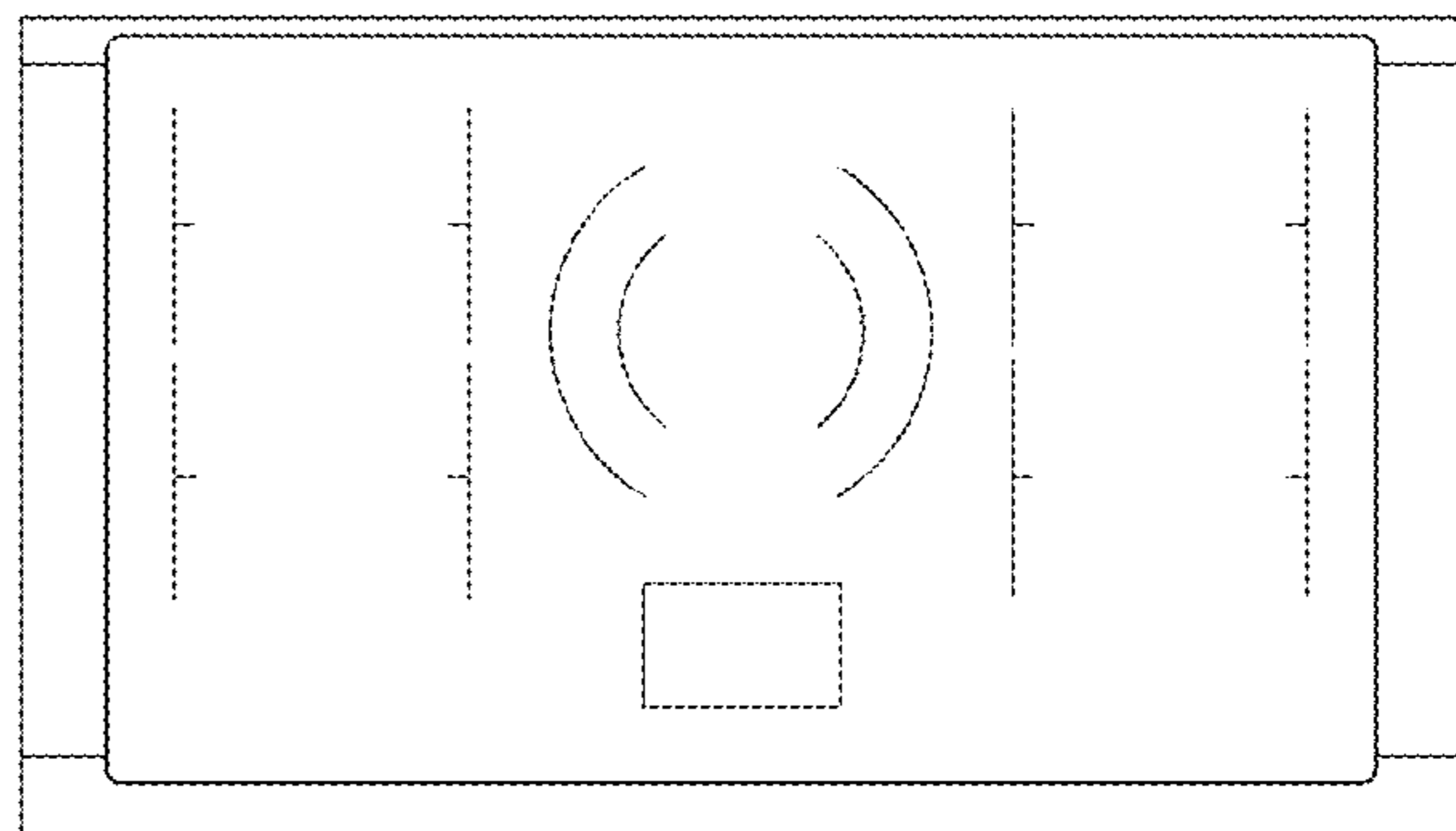
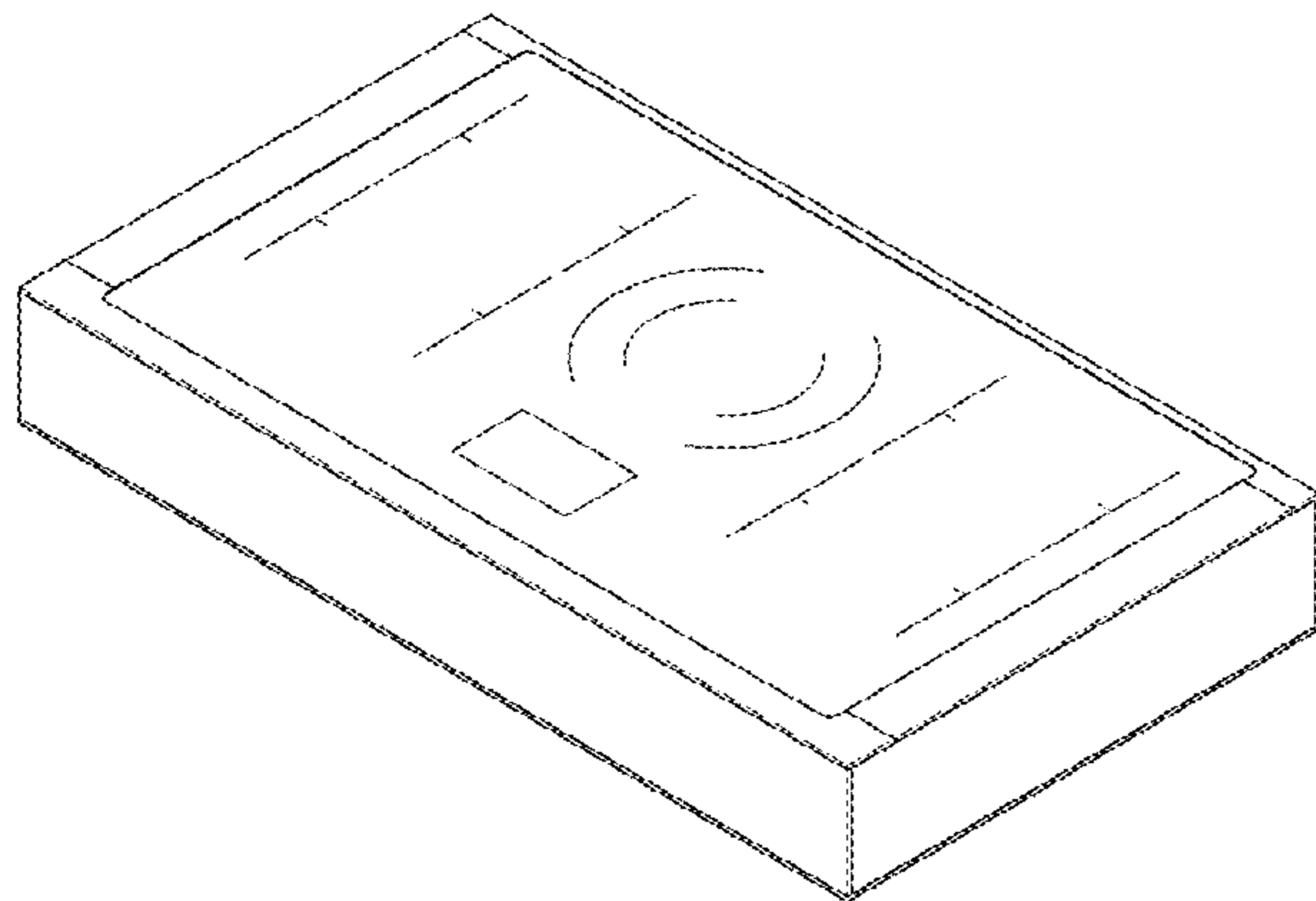
(57) **CLAIM**

The ornamental design for induction heating range, as shown and described.

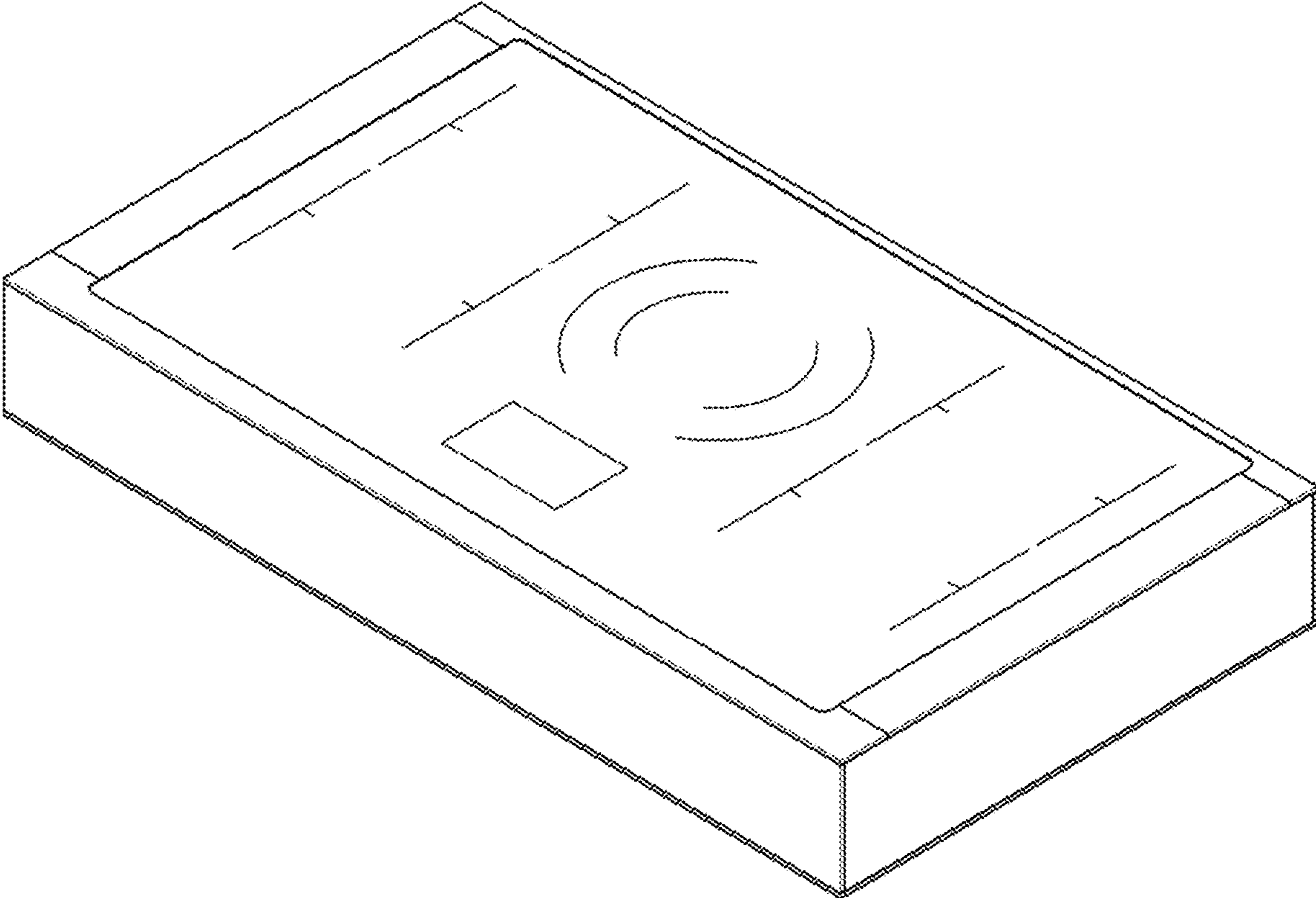
DESCRIPTION

1. Induction heating range
- 1.1 : Perspective
- 1.2 : Front
- 1.3 : Back
- 1.4 : Left
- 1.5 : Right
- 1.6 : Top
- 1.7 : Bottom

1 Claim, 7 Drawing Sheets



1.1



1.2



1.3



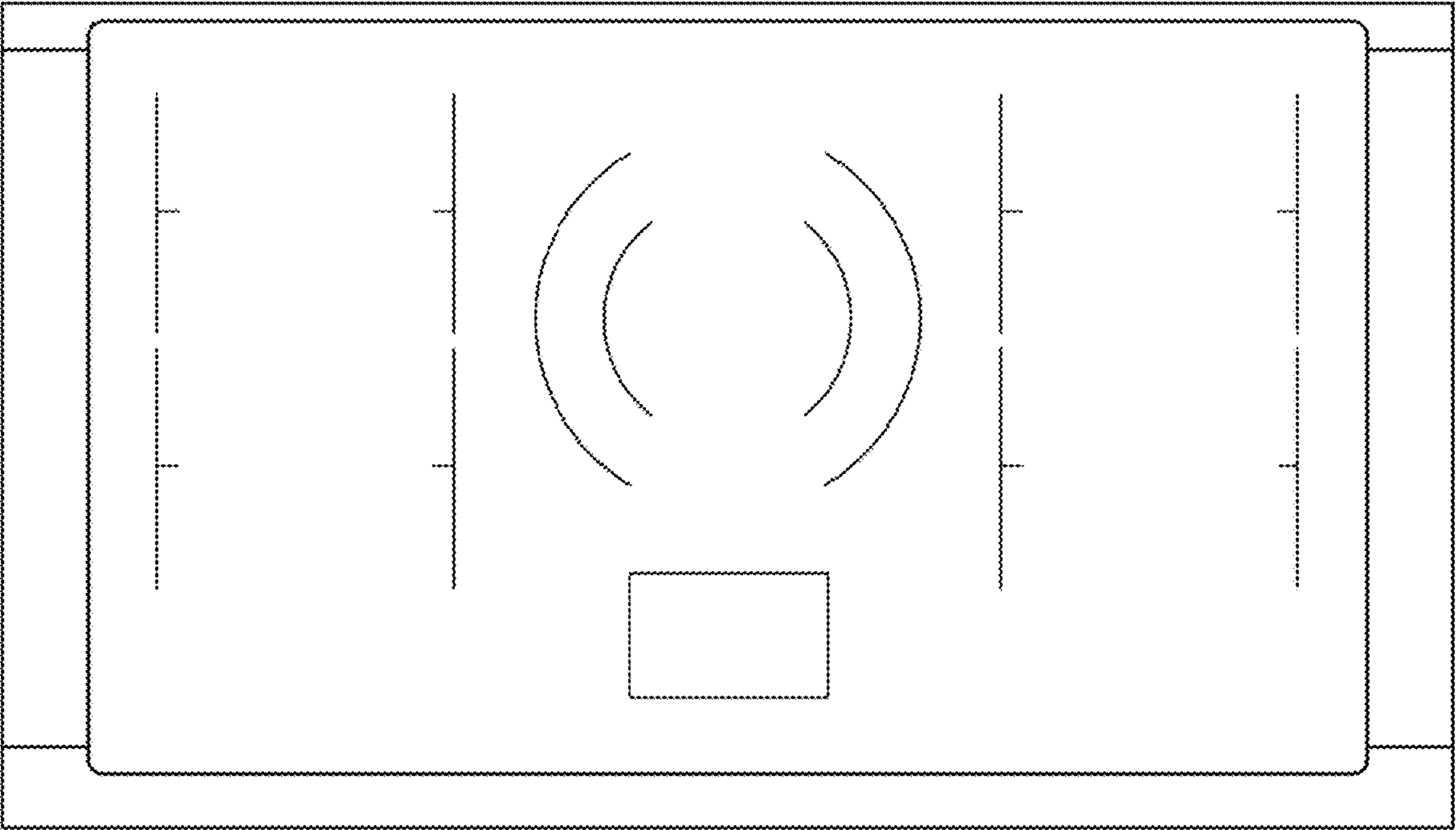
1.4



1.5



1.6



1.7

