

US00D862149S

(12) **United States Design Patent**
Gordon et al.

(10) **Patent No.:** **US D862,149 S**

(45) **Date of Patent:** **** Oct. 8, 2019**

(54) **TOASTER**

(71) Applicant: **Sunbeam Products, Inc.**, Boca Raton, FL (US)

(72) Inventors: **Stewart Gordon**, Cheadle (GB); **Noel Disbury**, Manchester (GB); **Nick Brook**, Sale (GB); **Mark Skinner**, Salford (GB)

(73) Assignee: **Sunbeam Products, Inc.**, Boca Raton, FL (US)

(**) Term: **15 Years**

(21) Appl. No.: **29/645,837**

(22) Filed: **Apr. 30, 2018**

(51) **LOC (12) Cl.** **07-02**

(52) **U.S. Cl.**
USPC **D7/330**

(58) **Field of Classification Search**
USPC D7/323, 328-330, 390
CPC ... A21B 2/00; A47J 37/00; A47J 37/06; A47J 37/0611; A47J 37/08; A47J 37/0807; A47J 37/0814; A47J 37/0835; A47J 37/0842; A47J 37/085; A47J 37/0864; A47J 37/0878; A47J 37/0885; A47J 37/0892; F24C 15/10; F24C 15/102
See application file for complete search history.

(56) **References Cited**

U.S. PATENT DOCUMENTS

D149,937 S	*	6/1948	Dailey	D7/330
D158,210 S	*	4/1950	Madl	D7/330
D527,568 S	*	9/2006	Page	D7/330
D553,421 S	*	10/2007	Kim	D7/330

D644,473 S	*	9/2011	Pantaleo	D7/330
D686,865 S	*	7/2013	De'Longhi	D7/330
D686,866 S	*	7/2013	De'Longhi	D7/330
D765,456 S	*	9/2016	Lee	D7/330
D812,408 S	*	3/2018	Li	D7/330
D814,223 S	*	4/2018	Barquin	D7/330
D835,931 S	*	12/2018	Del Conte	D7/330
D843,768 S	*	3/2019	Miller	D7/330

* cited by examiner

Primary Examiner — Ricky Pham

(74) *Attorney, Agent, or Firm* — Husch Blackwell LLP

(57) **CLAIM**

The ornamental design for a toaster, as shown and described.

DESCRIPTION

FIG. 1 depicts a front perspective view of a toaster of the present disclosure;
 FIG. 2 depicts a close-up view of a portion of the toaster of FIG. 1;
 FIG. 3 depicts a front side view of the toaster of FIG. 1;
 FIG. 4 depicts a rear side view of the toaster of FIG. 1;
 FIG. 5 depicts a left side view of the toaster of FIG. 1;
 FIG. 6 depicts a right side view of the toaster of FIG. 1;
 FIG. 7 depicts a top view of the toaster of FIG. 1;
 FIG. 8 depicts a bottom view of the toaster of FIG. 1;
 FIG. 9 depicts a front perspective view of a second toaster of the present disclosure;
 FIG. 10 depicts a front side view of the toaster of FIG. 9;
 FIG. 11 depicts a rear side view of the toaster of FIG. 9;
 FIG. 12 depicts a left side view of the toaster of FIG. 9;
 FIG. 13 depicts a right side view of the toaster of FIG. 9;
 FIG. 14 depicts a top view of the toaster of FIG. 9; and,
 FIG. 15 depicts a bottom view of the toaster of FIG. 9.
 The broken lines in the drawings depict portions of the toaster that form no part of the claimed design.

1 Claim, 12 Drawing Sheets

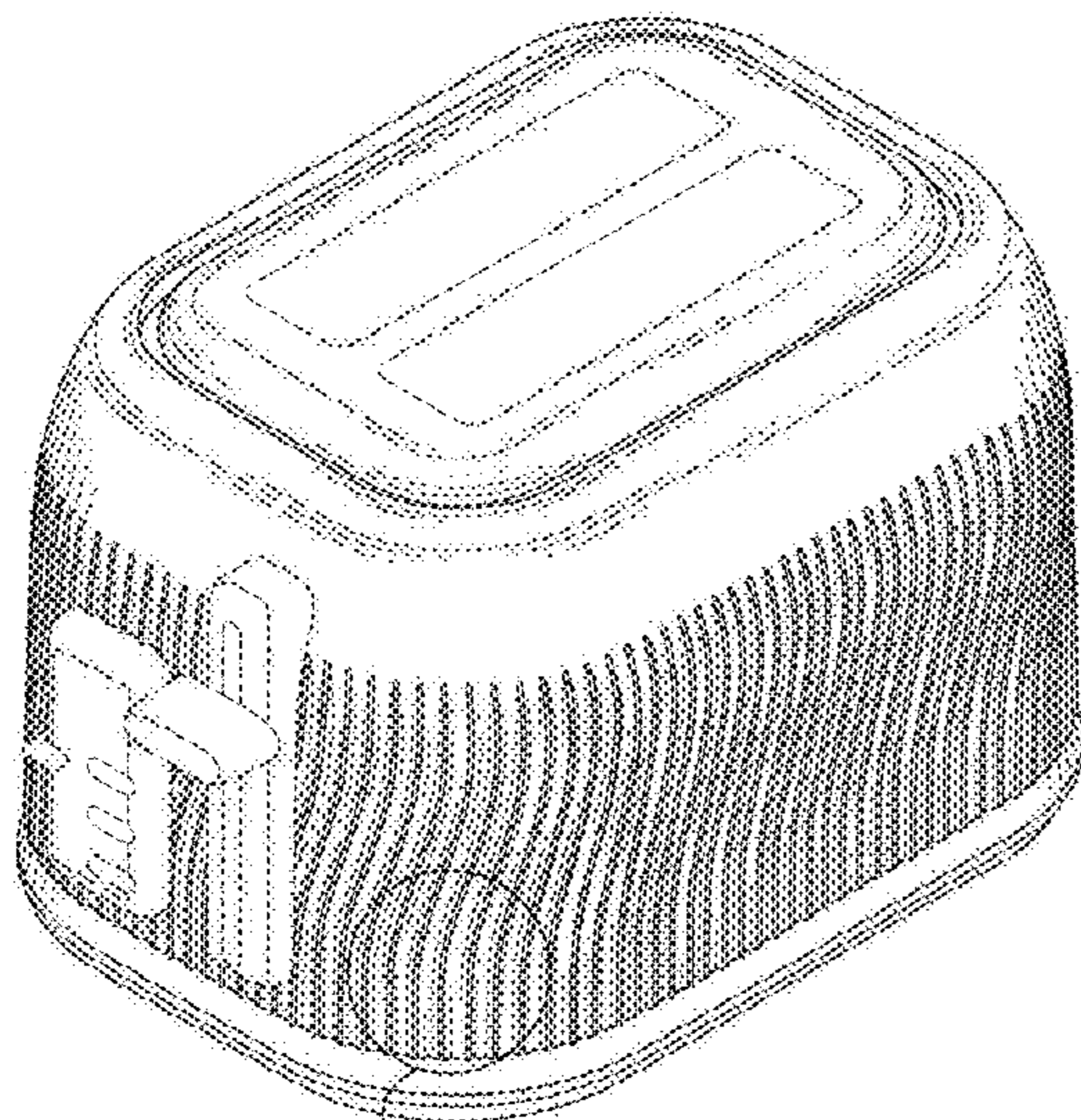


Fig. 2

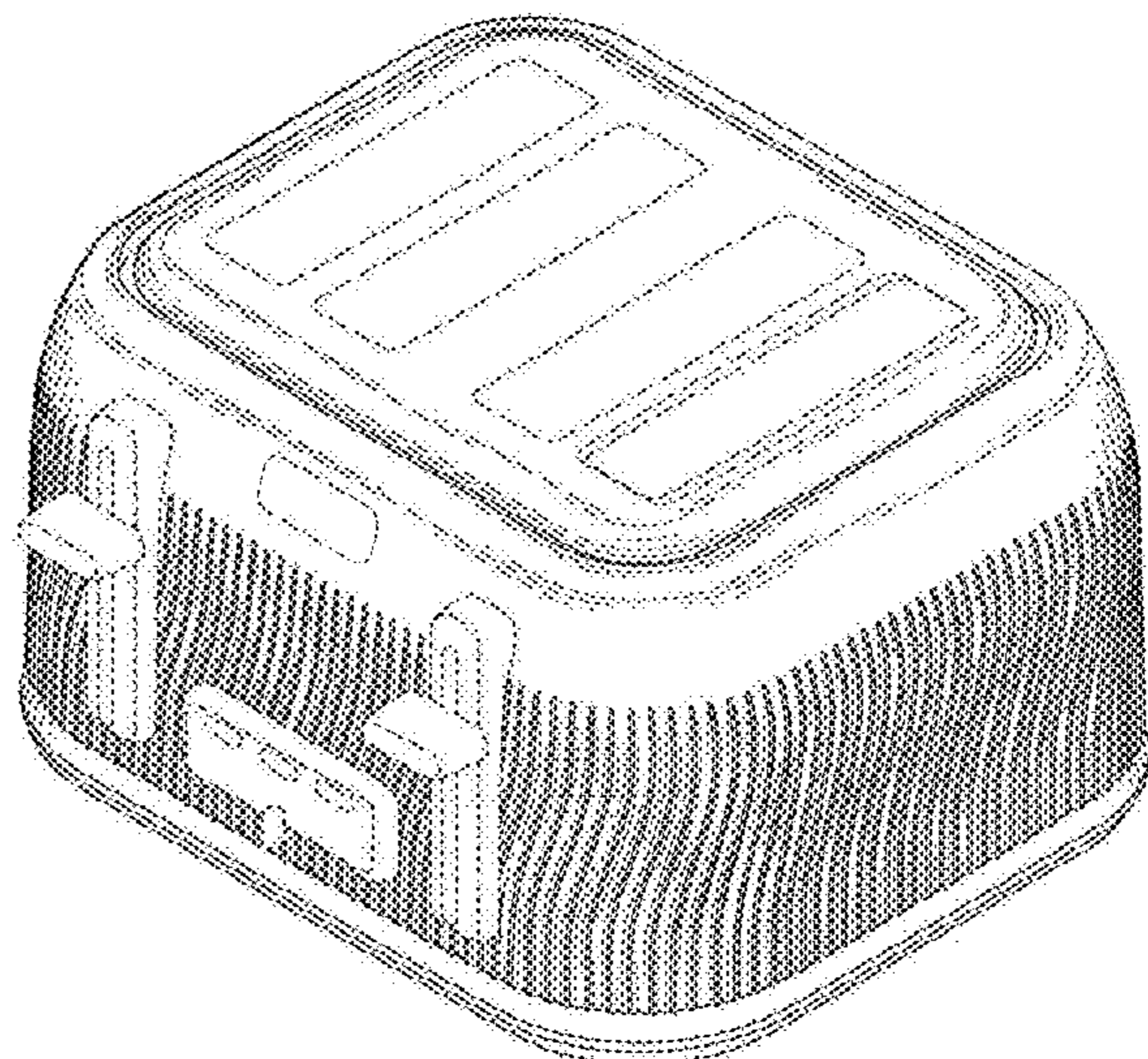


FIG. 1

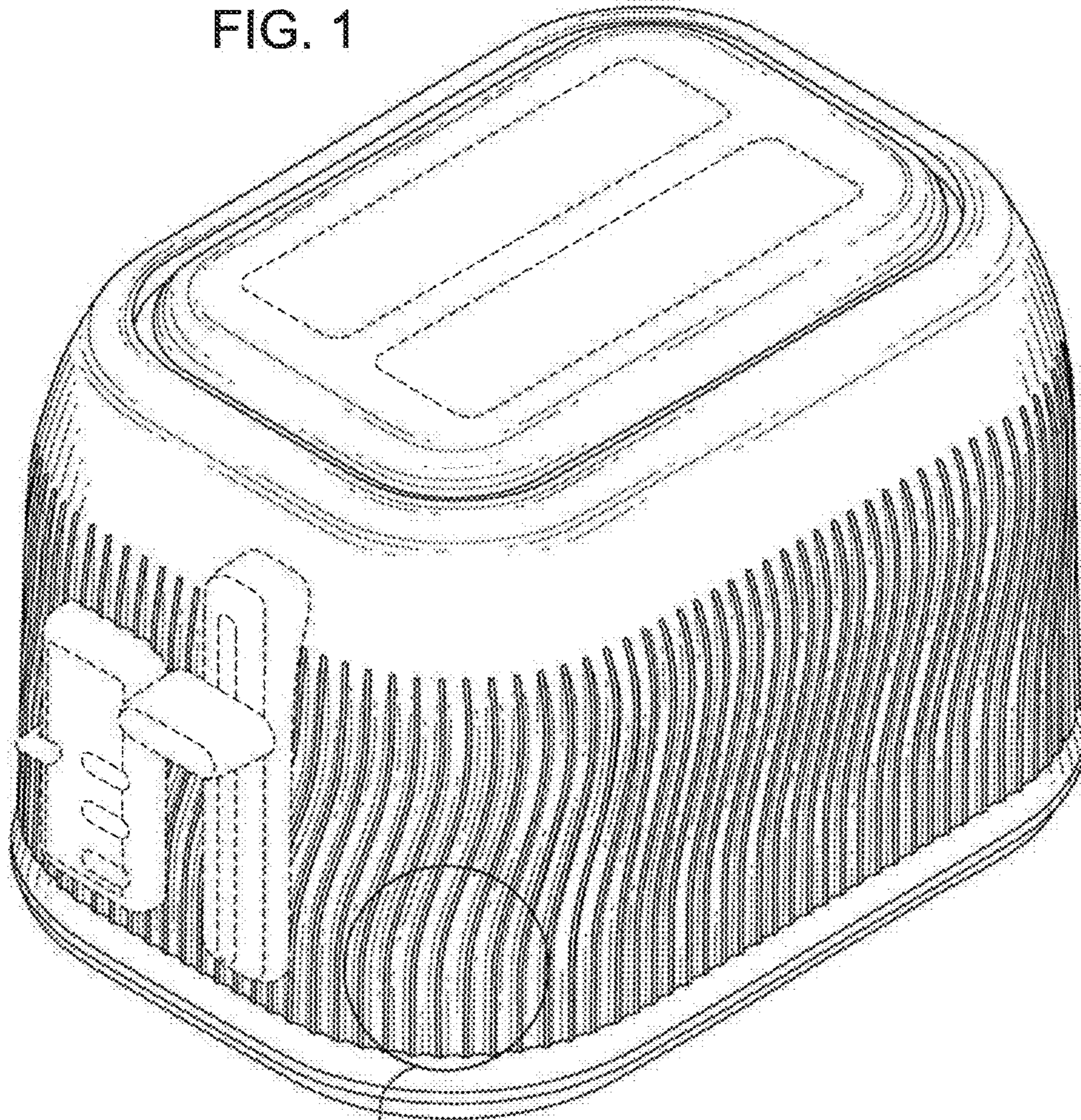


Fig. 2

FIG. 2

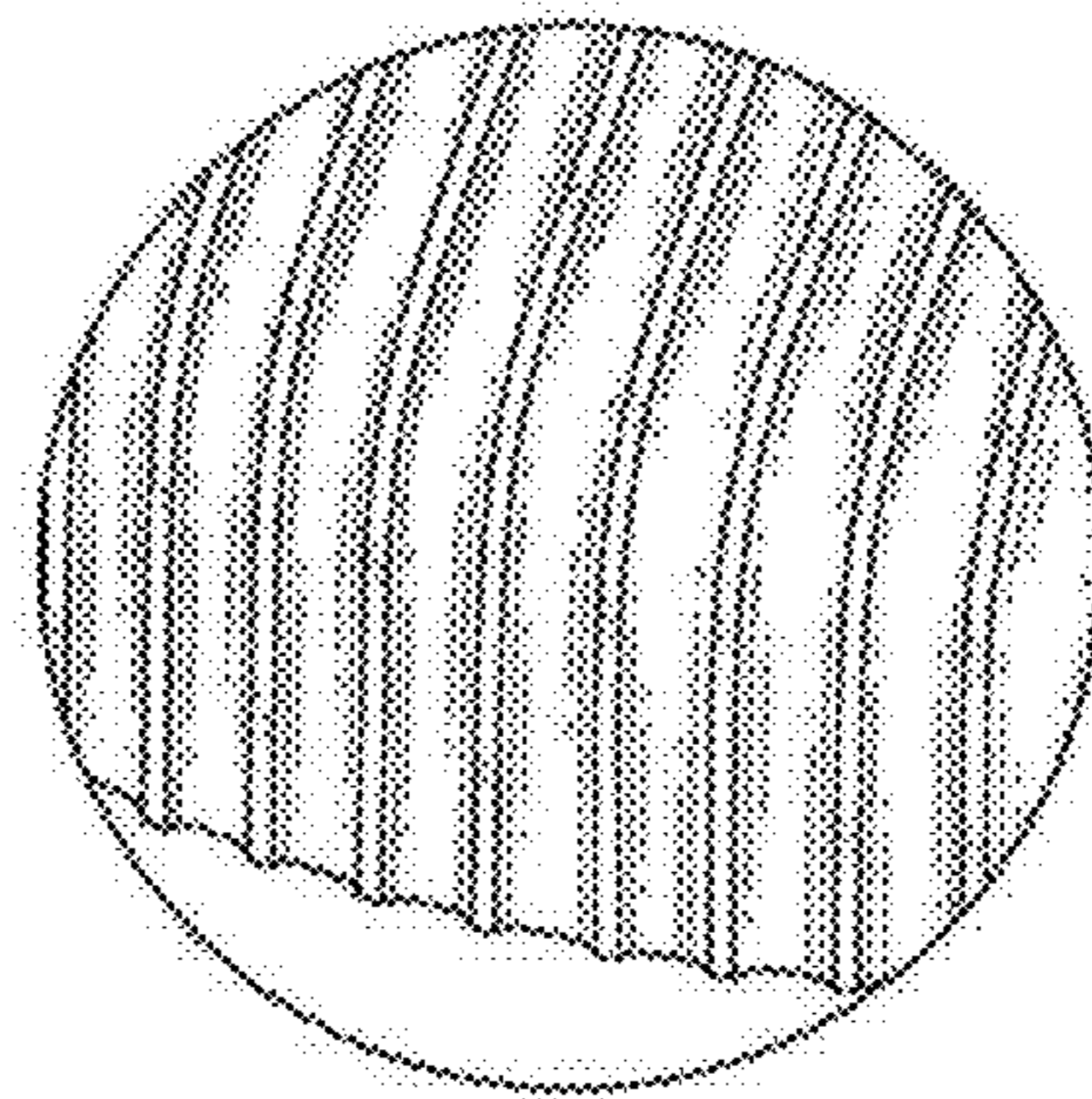


FIG. 3

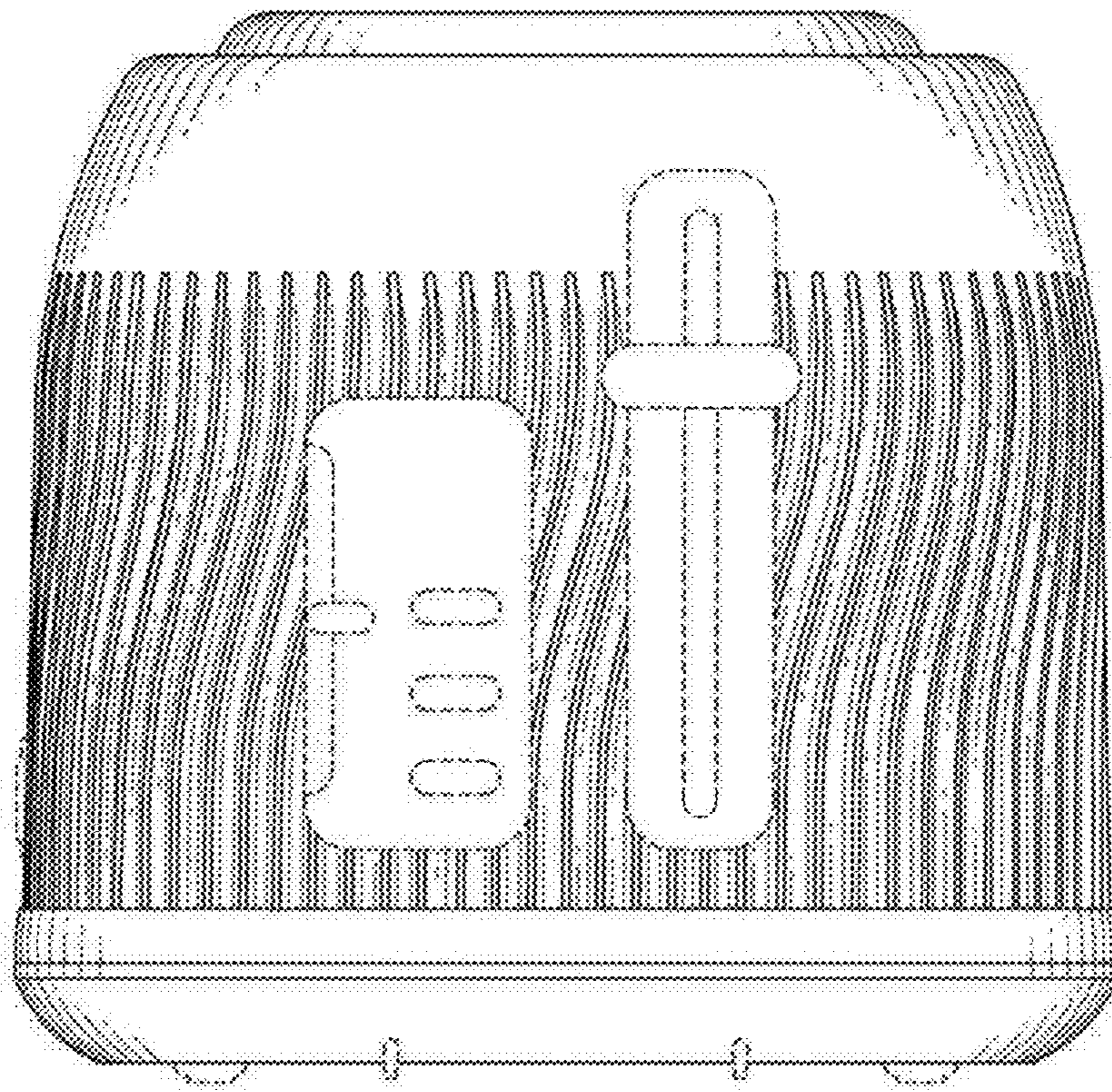


FIG. 4

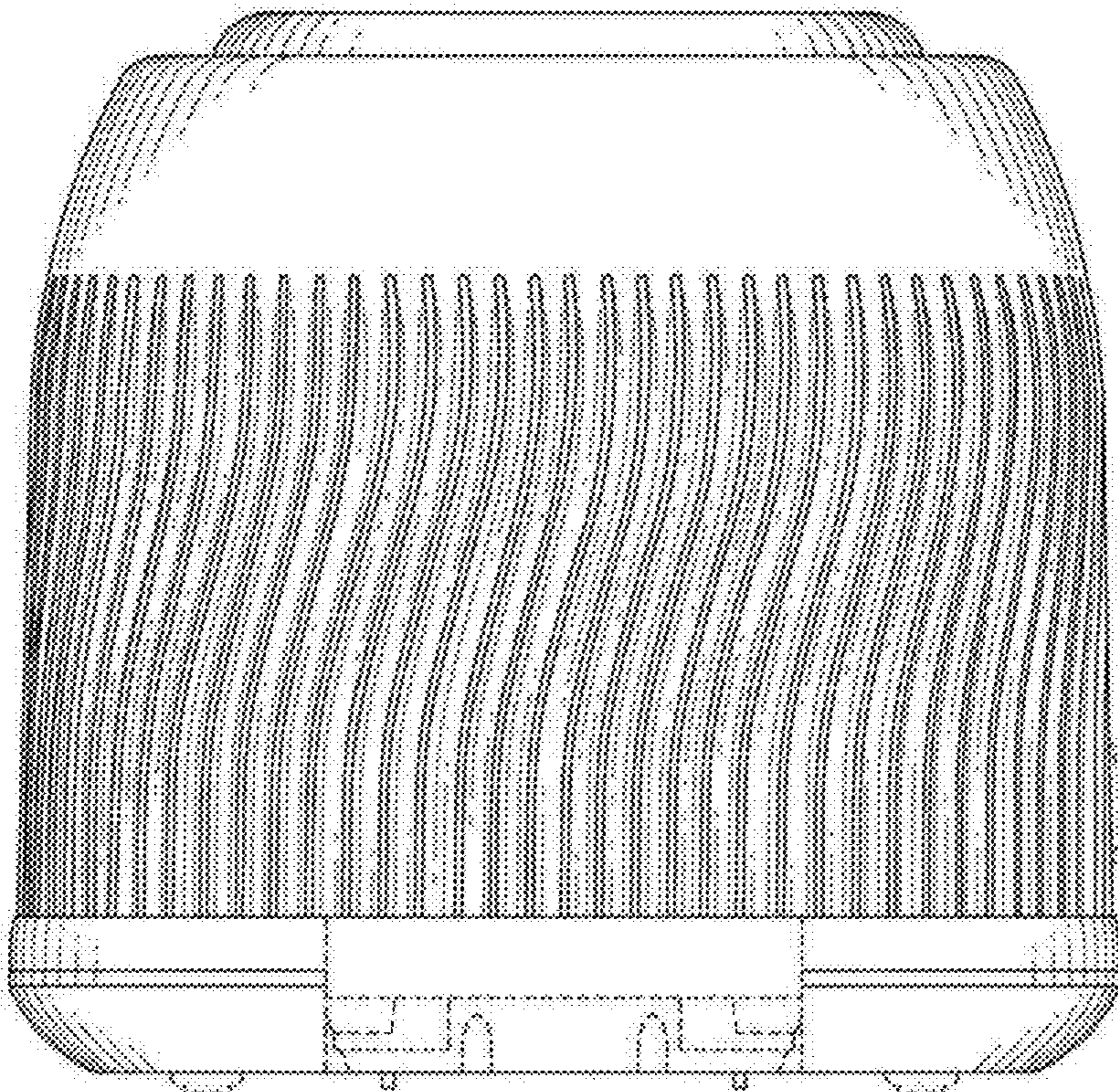


FIG. 5

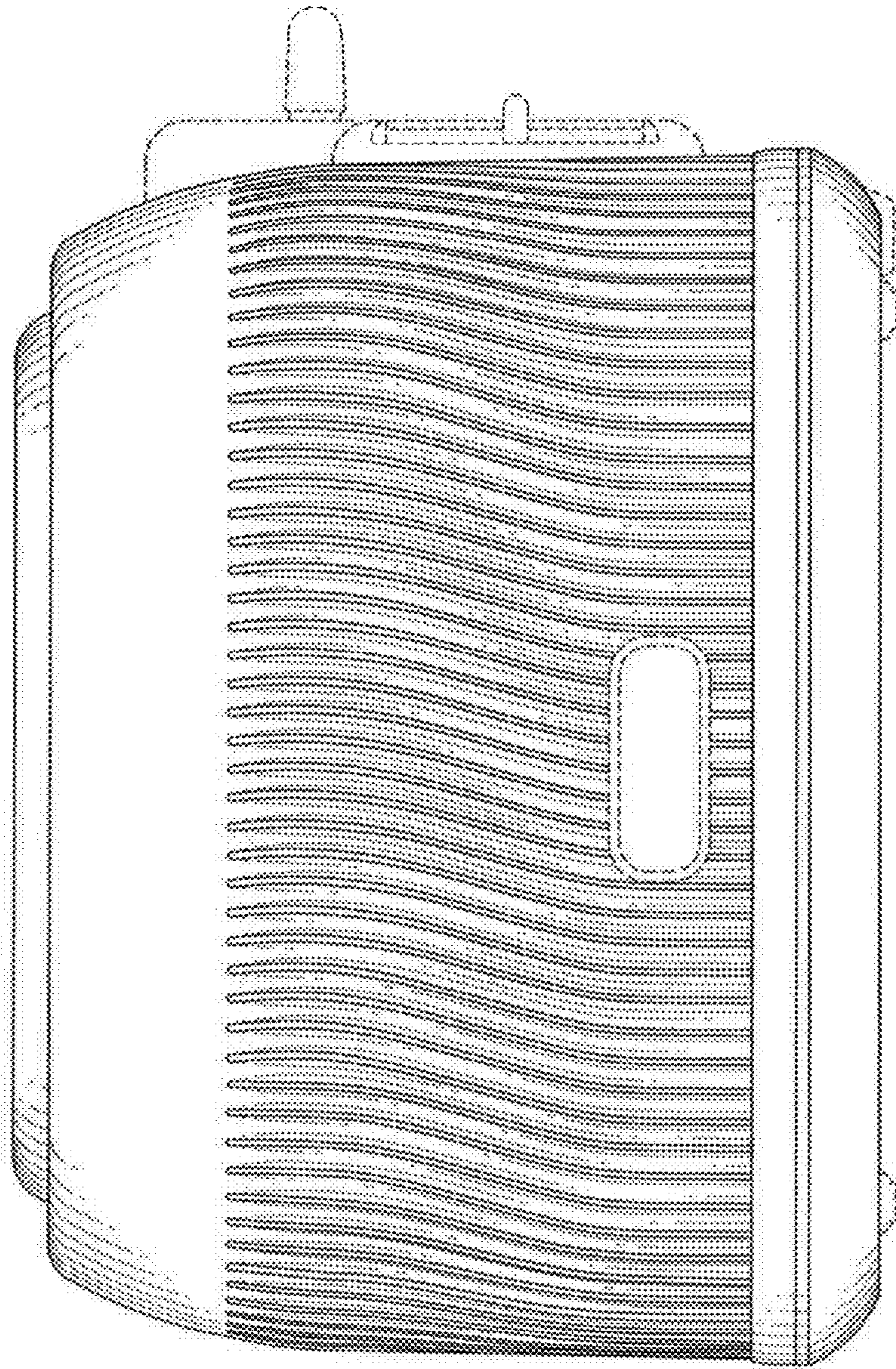


FIG. 6

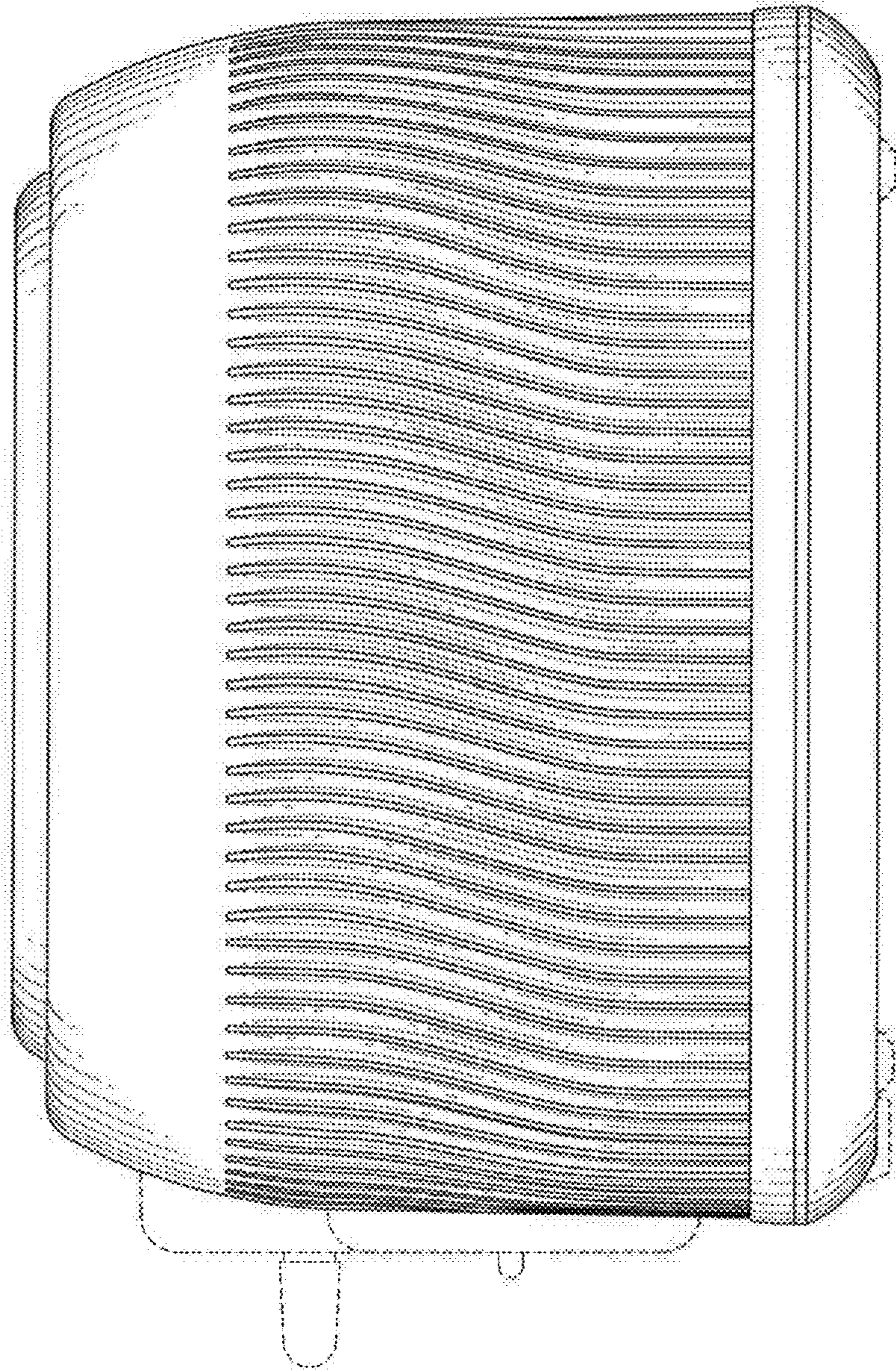


FIG. 7

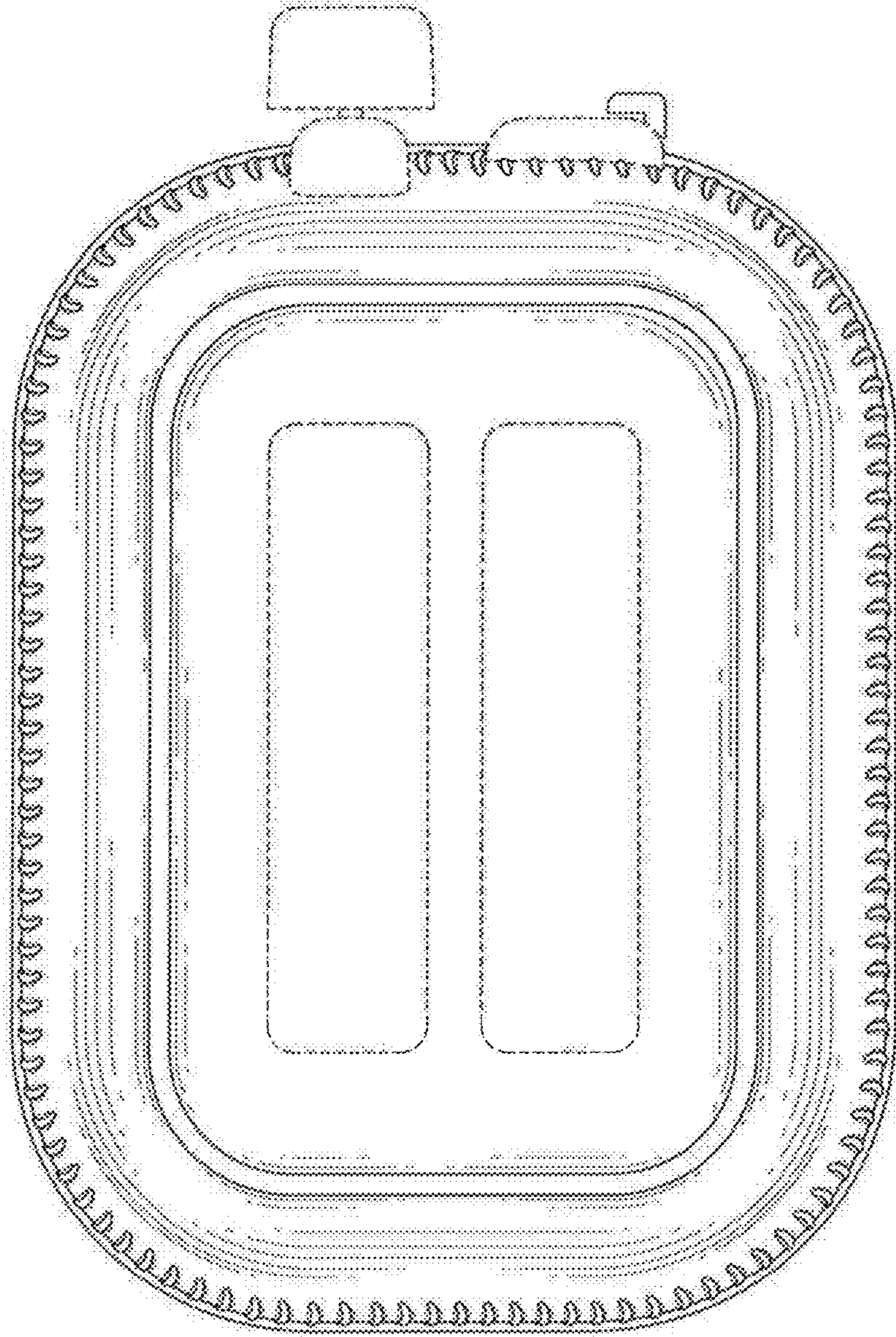


FIG. 8

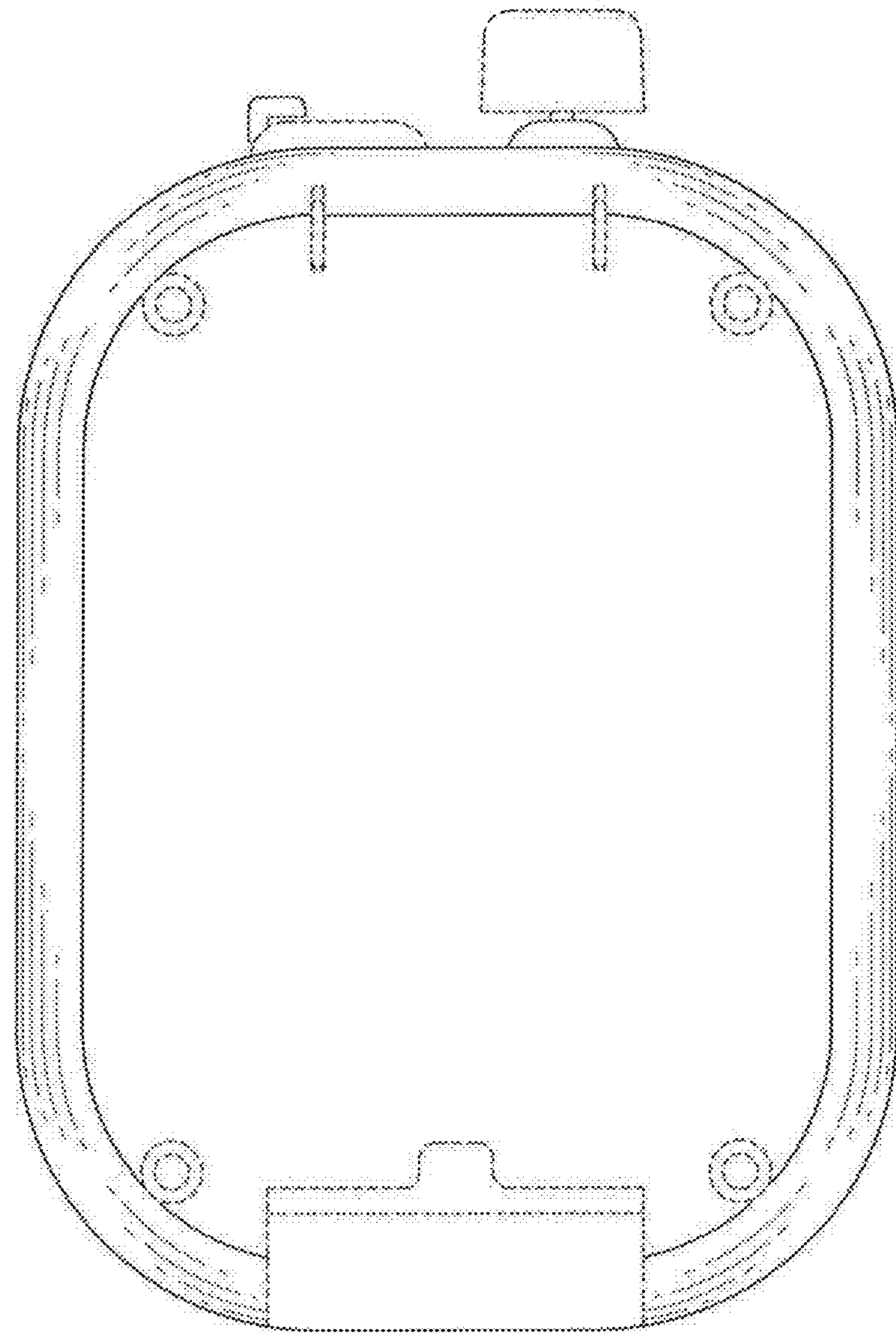


FIG. 9

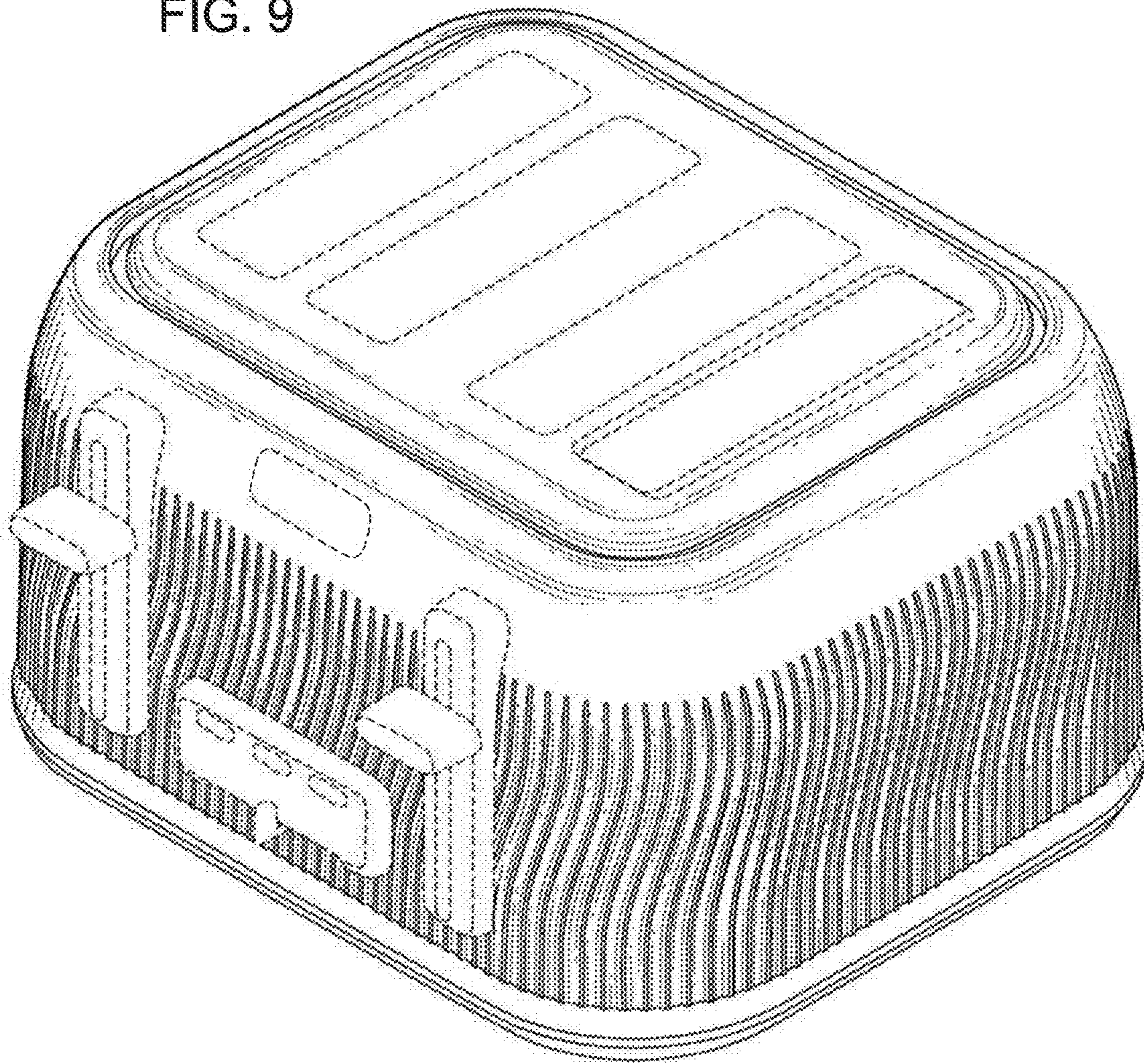


FIG. 10

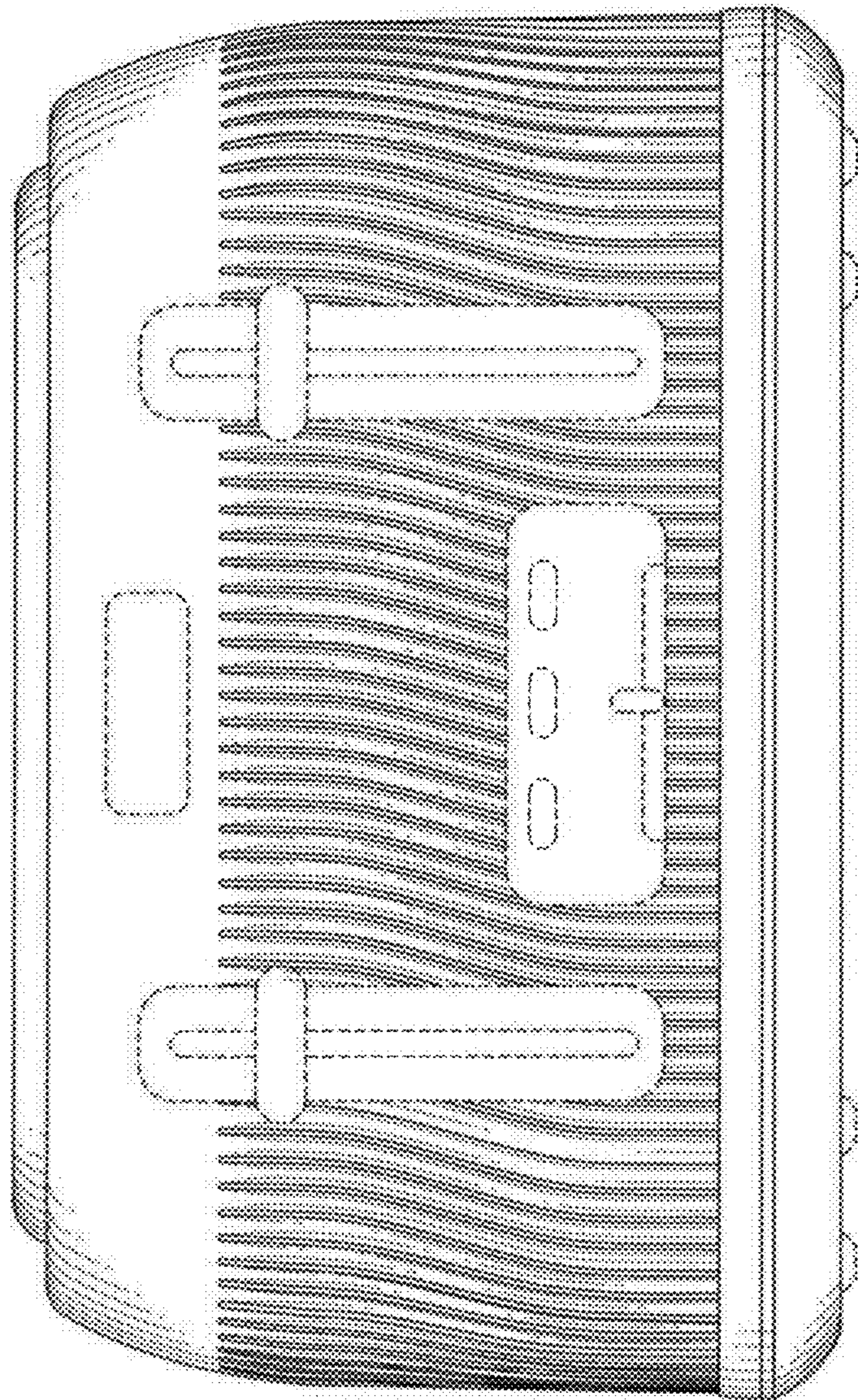


FIG. 11

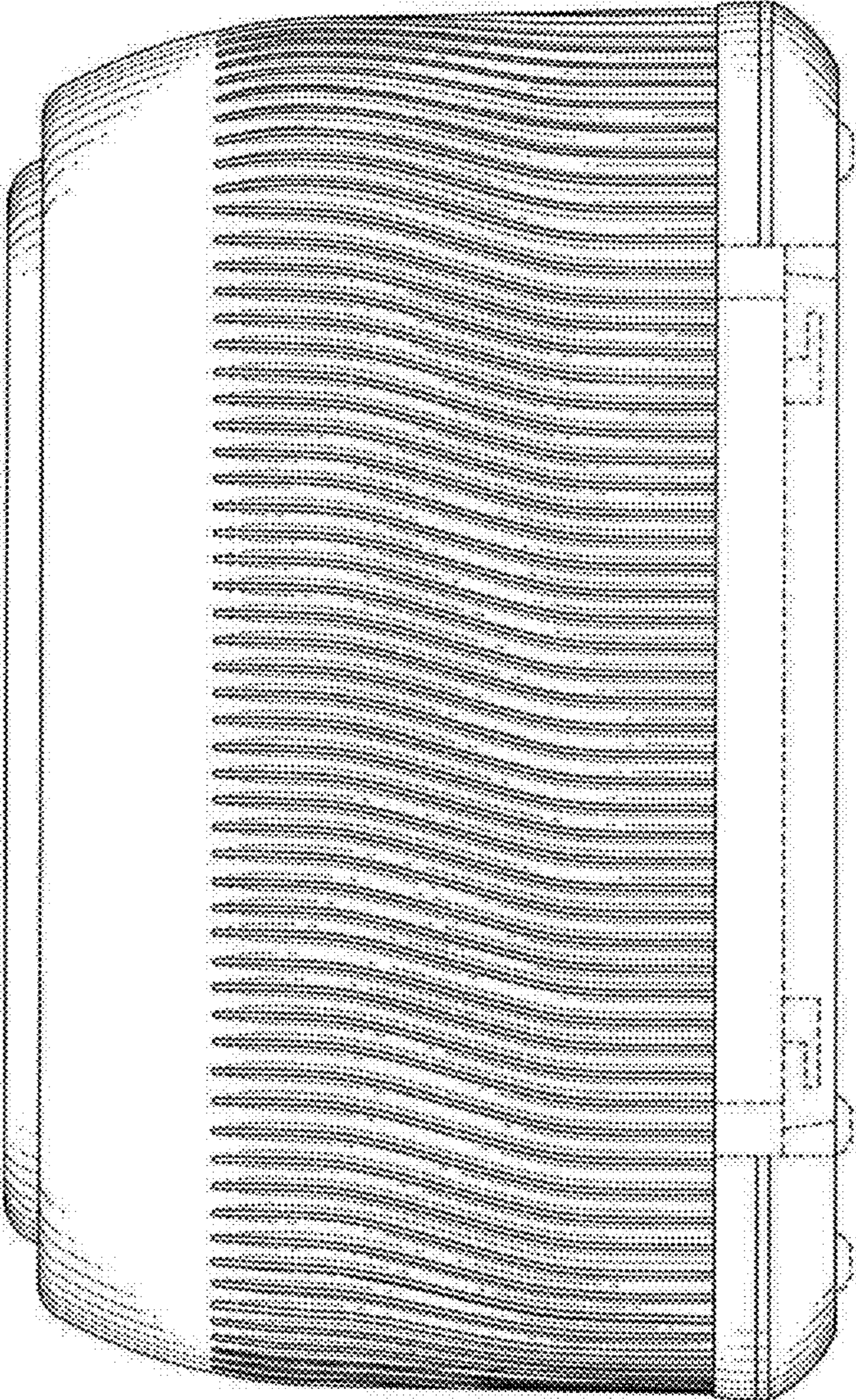


FIG. 12

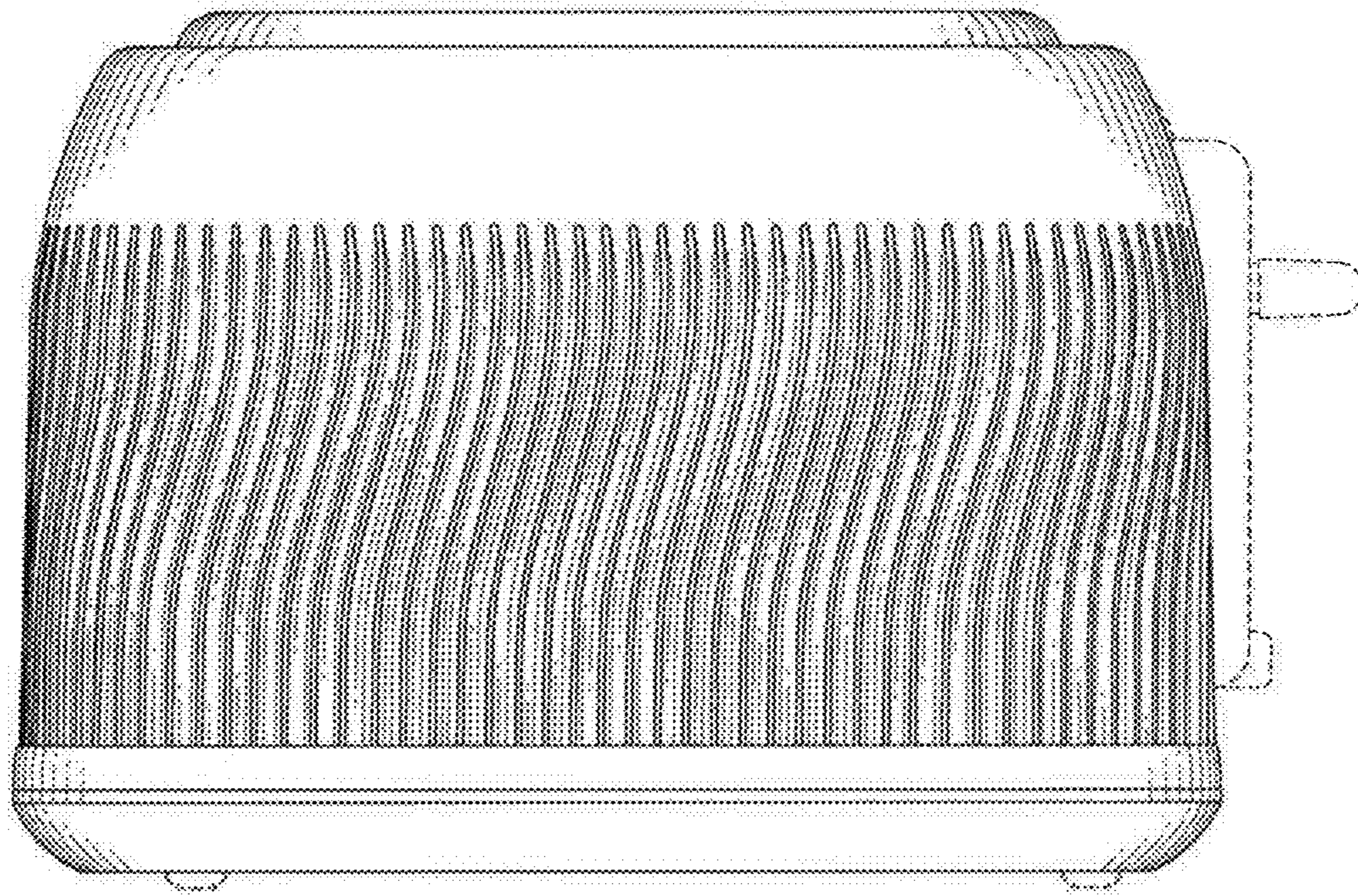


FIG. 13

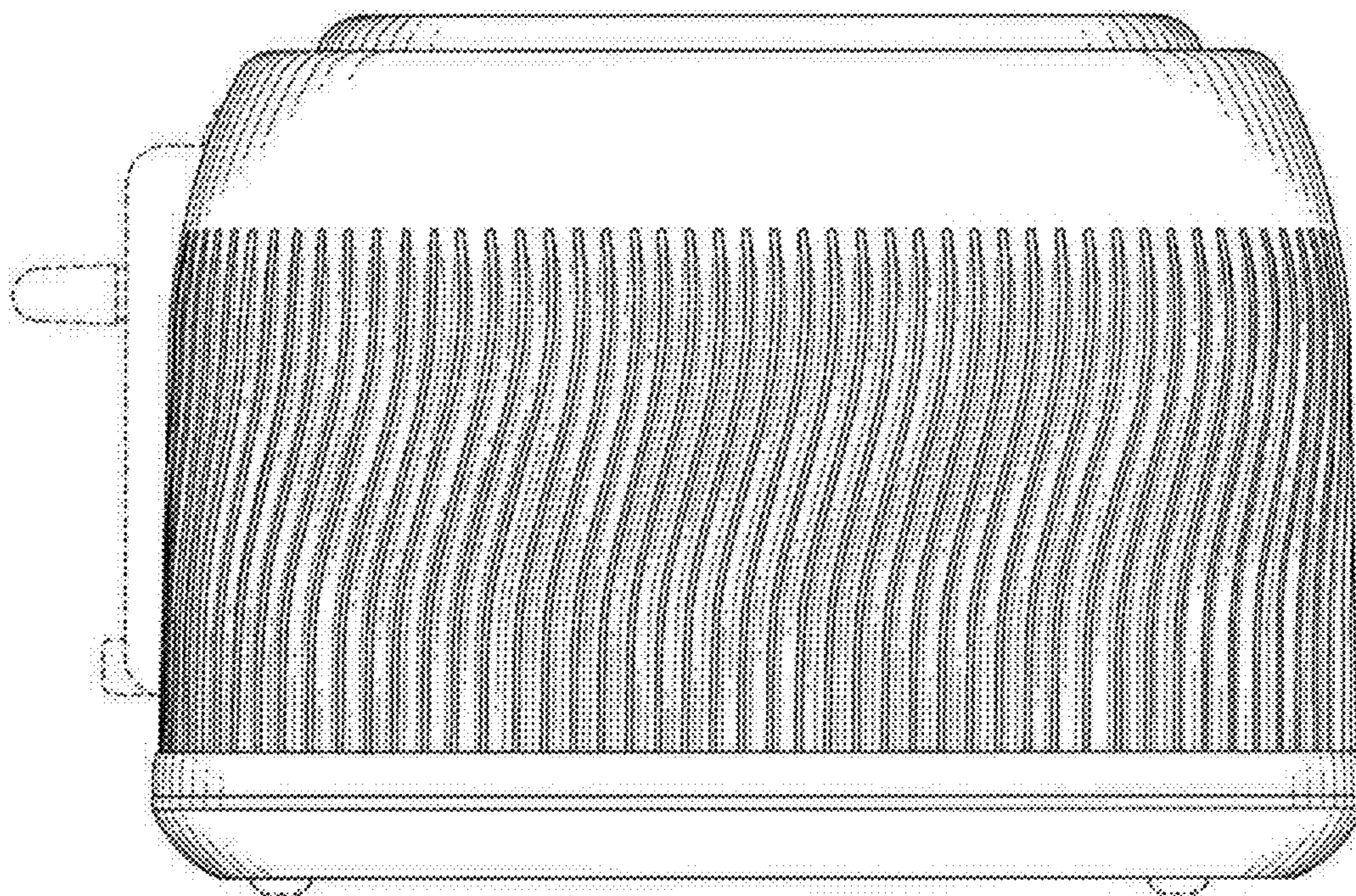


FIG. 14

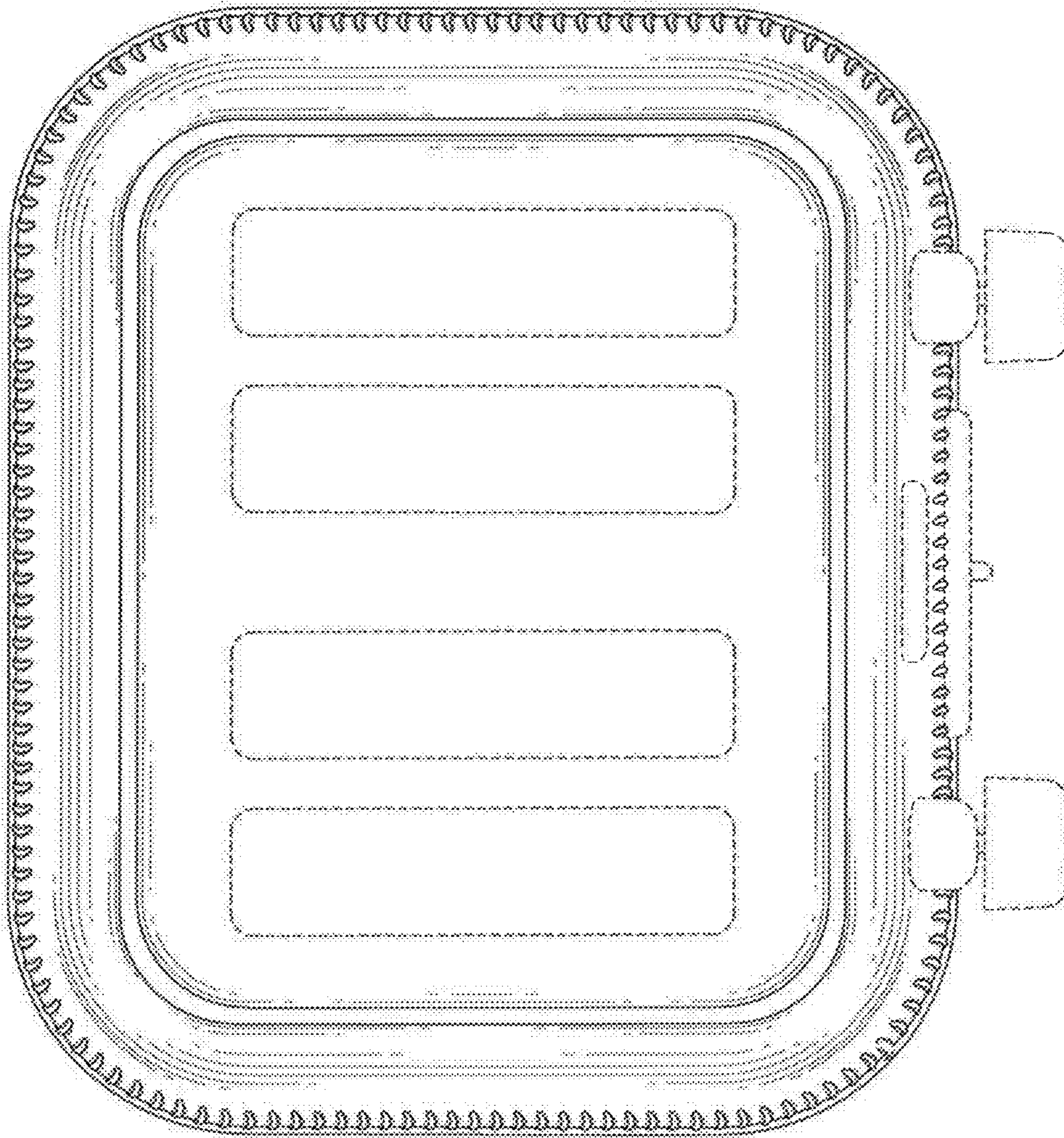


FIG. 15

