



US00D862148S

(12) **United States Design Patent** (10) **Patent No.:** **US D862,148 S**
Broen et al. (45) **Date of Patent:** **** Oct. 8, 2019**

(54) **DISPENSER**
(71) Applicant: **PepsiCo, Inc.**, Purchase, NY (US)
(72) Inventors: **Martin Eduardo Broen**, New York, NY (US); **Stephen Lim**, Chappaqua, NY (US); **Martin Ivar Franzen**, Milan (IT); **Mauro Scamporlino**, Milan (IT)
(73) Assignee: **PepsiCo, Inc.**, Purchase, NY (US)
(**) Term: **15 Years**
(21) Appl. No.: **29/629,524**
(22) Filed: **Dec. 13, 2017**
(51) **LOC (12) Cl.** **07-01**
(52) **U.S. Cl.**
USPC **D7/313**; D7/311; D7/306
(58) **Field of Classification Search**
USPC D7/305-311, 313, 397; D15/82;
222/129.1, 146.6; 99/295; D20/1, 4;
D23/207
CPC A47J 31/44; A47J 31/4403; A47J 31/46;
B67D 1/36; B67D 2210/0065; B67D
1/0864; B67D 3/0009; B67D 3/0032
See application file for complete search history.

D646,105 S 10/2011 Deo et al.
D655,122 S 3/2012 Bingul et al.
D655,123 S 3/2012 Bingul et al.
8,251,258 B2 8/2012 Rudick et al.
D669,154 S 10/2012 Choi
D681,385 S 5/2013 Ring et al.
D682,597 S 5/2013 Bingul et al.
8,459,043 B2 6/2013 Bertone
D691,203 S 10/2013 d'Amore et al.
D691,204 S 10/2013 d'Amore et al.
8,584,900 B2 11/2013 Metropulos et al.
D701,412 S 3/2014 Broen et al.
D704,492 S 5/2014 Broen et al.
8,751,037 B2 6/2014 Peters et al.
D710,642 S 8/2014 Broen et al.
D710,643 S * 8/2014 Broen D7/306
D716,093 S * 10/2014 Jakeman D7/306
D727,673 S * 4/2015 Broen D7/306
D732,331 S * 6/2015 Tomasson D7/306
9,051,162 B2 6/2015 Peters et al.

(Continued)

Primary Examiner — Marianne N Pandozzi
(74) *Attorney, Agent, or Firm* — Sterne, Kessler, Goldstein & Fox P.L.L.C.

(57) **CLAIM**

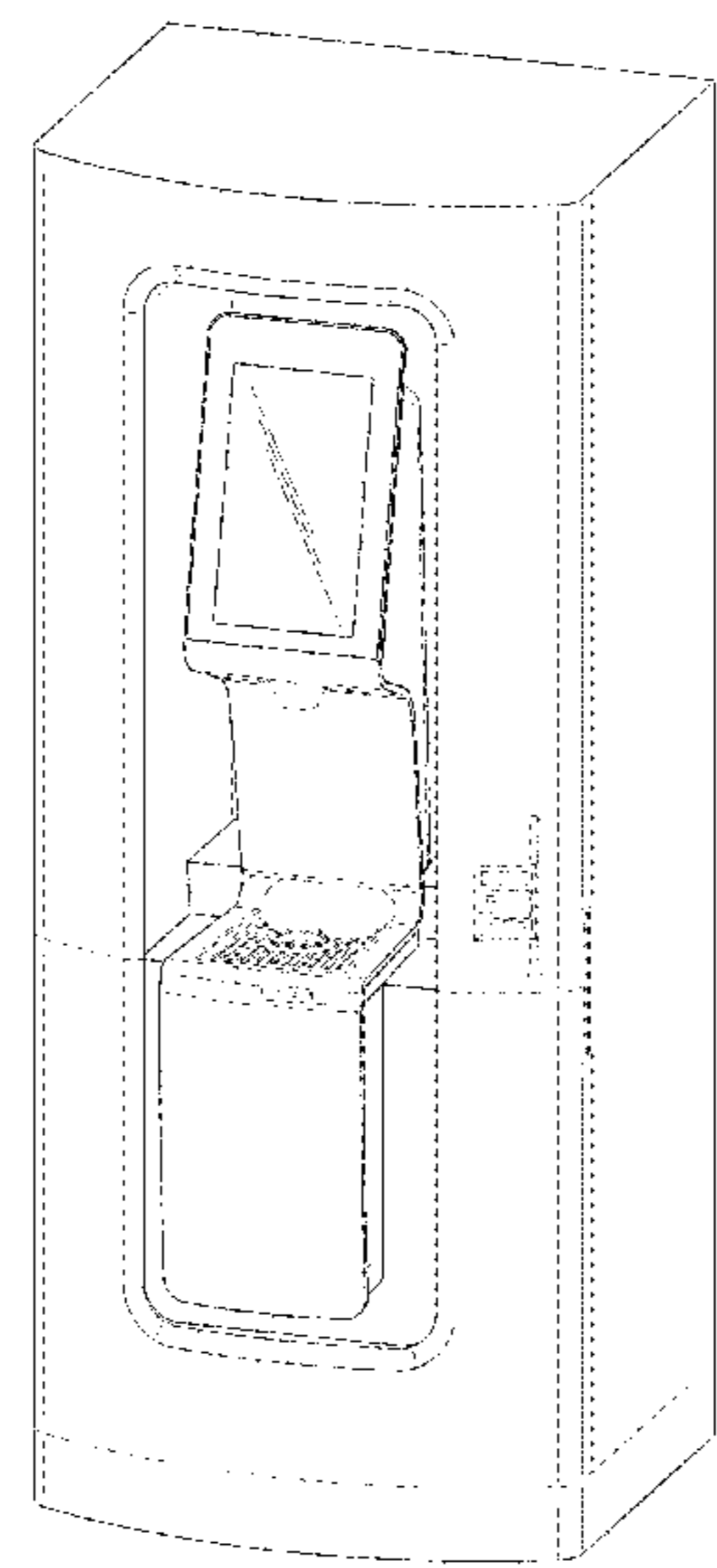
The ornamental design for a dispenser, as shown and described.

DESCRIPTION

FIG. 1 is a top front perspective view of a dispenser showing the claimed design;
FIG. 2 is a front view thereof;
FIG. 3 is a rear view thereof;
FIG. 4 is a left side view thereof;
FIG. 5 is a right side view thereof;
FIG. 6 is a top view thereof; and,
FIG. 7 is a bottom view thereof.
The broken lines in the figures show portions of the dispenser that form no part of the claimed design.

1 Claim, 6 Drawing Sheets

(56) **References Cited**
U.S. PATENT DOCUMENTS
D183,532 S 9/1958 McCauley
D256,125 S 7/1980 Erickson
D334,029 S 3/1993 Reising
D365,962 S 1/1996 Amundsen et al.
D375,431 S 11/1996 Credle, Jr. et al.
D555,968 S 11/2007 Pfeifer et al.
D571,141 S * 6/2008 Roosmalen D7/307
7,806,294 B2 10/2010 Gatipon et al.
D643,666 S * 8/2011 Yui D7/307
D643,668 S * 8/2011 Yui D7/307
D644,712 S * 9/2011 Seo D23/207



(56)

References Cited

U.S. PATENT DOCUMENTS

D743,729	S	*	11/2015	Tomasson	D7/306
D759,194	S	*	6/2016	Wei	D23/207
9,533,783	B2		1/2017	Talarico		
D778,096	S	*	2/2017	Broen	D7/305
D787,250	S	*	5/2017	Walton	D7/306
D795,629	S	*	8/2017	Ullman	D7/306
D799,255	S	*	10/2017	Ullman	D7/306
D828,709	S	*	9/2018	Wang	D7/307
D846,328	S	*	4/2019	Tan	D7/306
2016/0340166	A1		11/2016	Broen et al.		

* cited by examiner

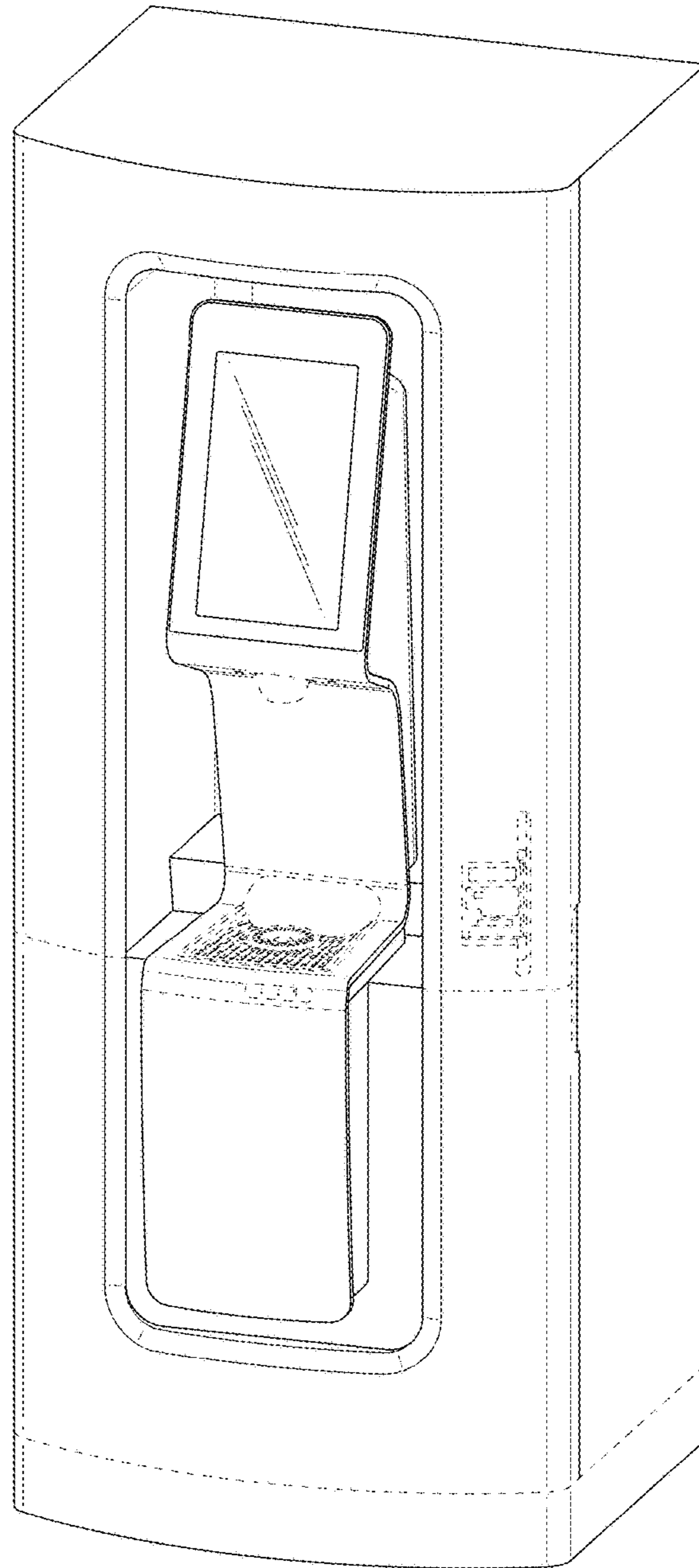


FIG. 1

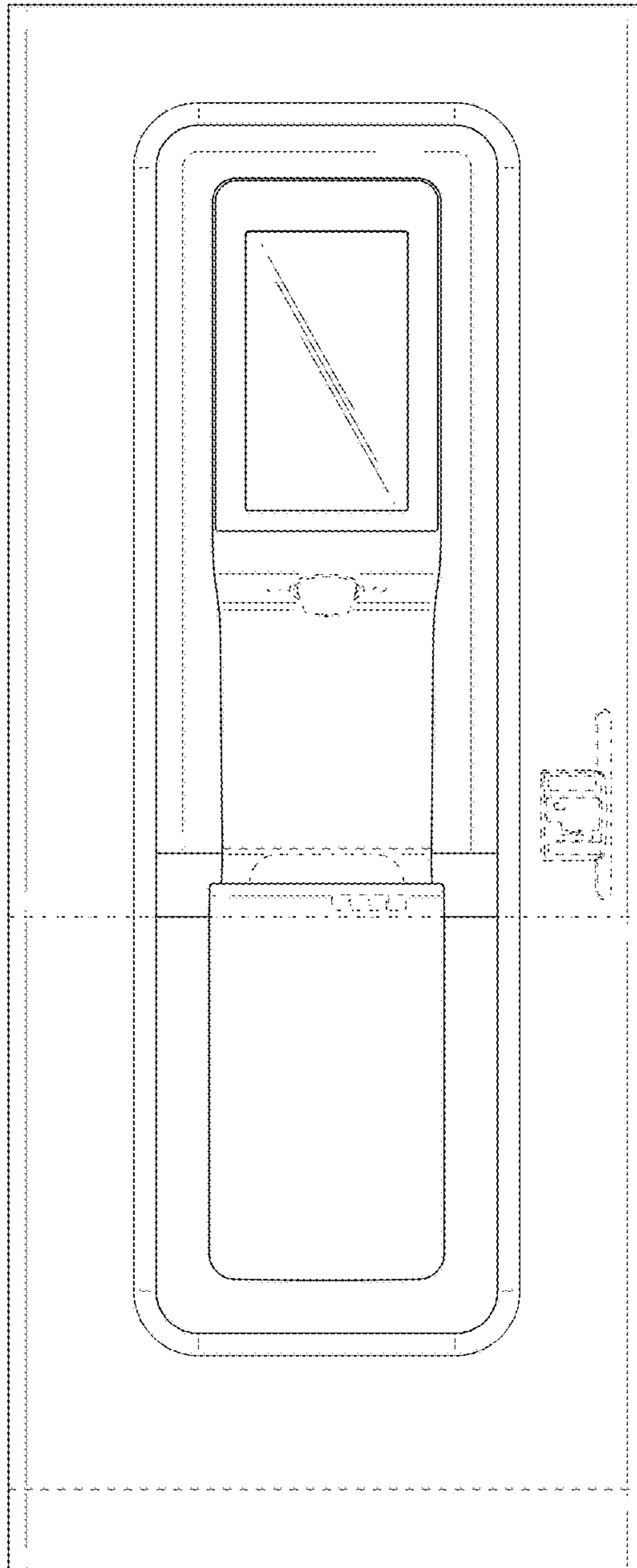


FIG. 2

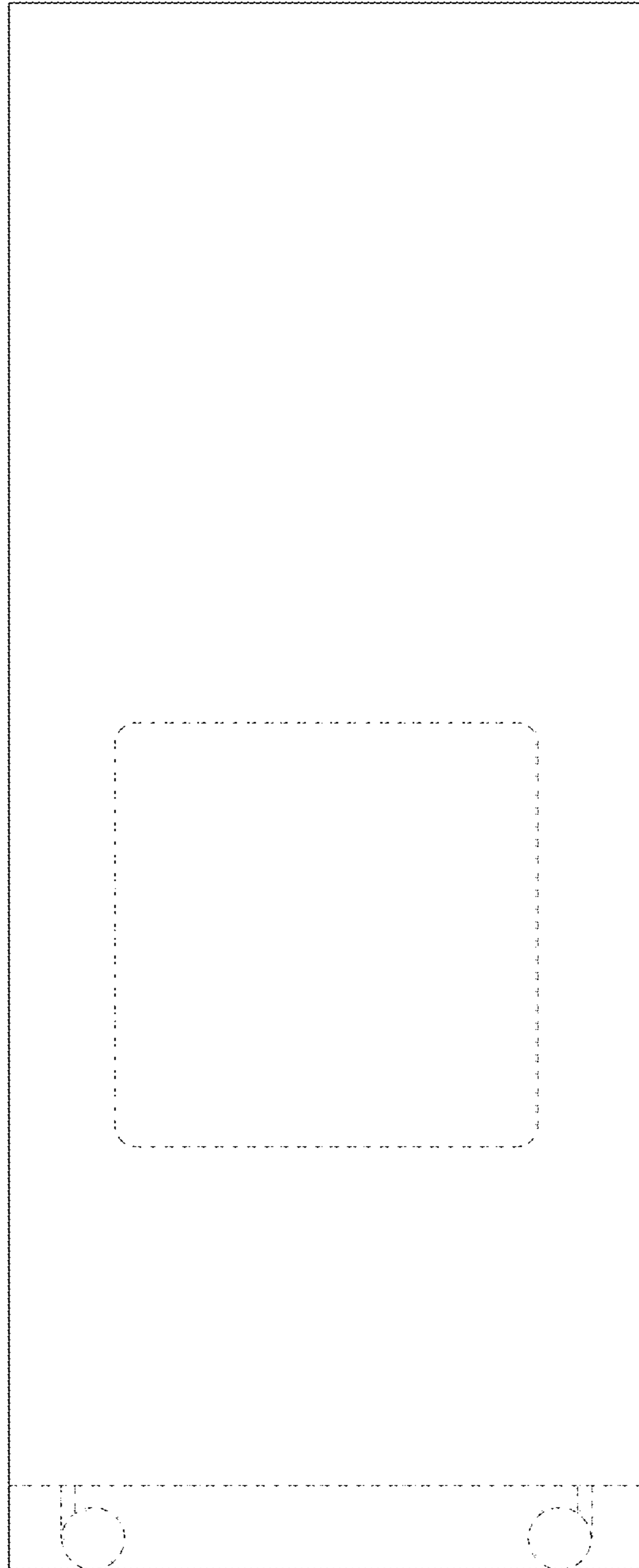


FIG. 3

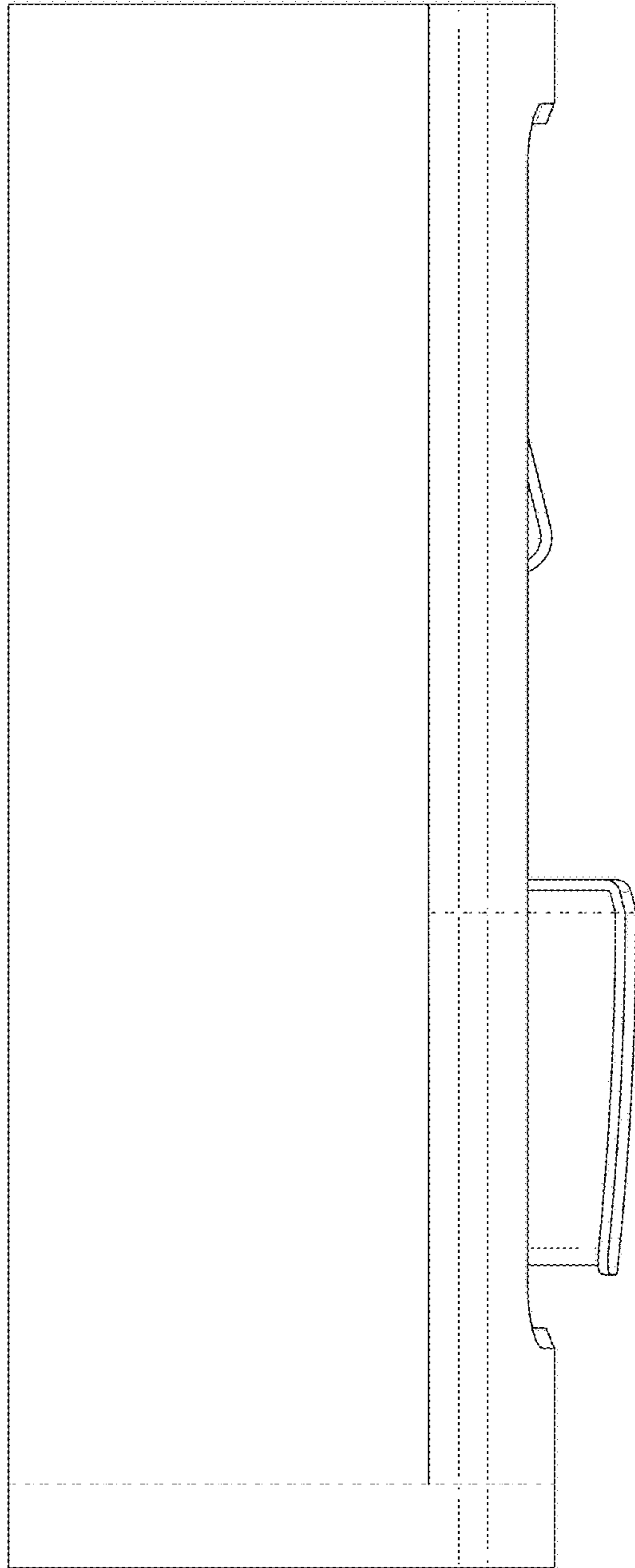


FIG. 4

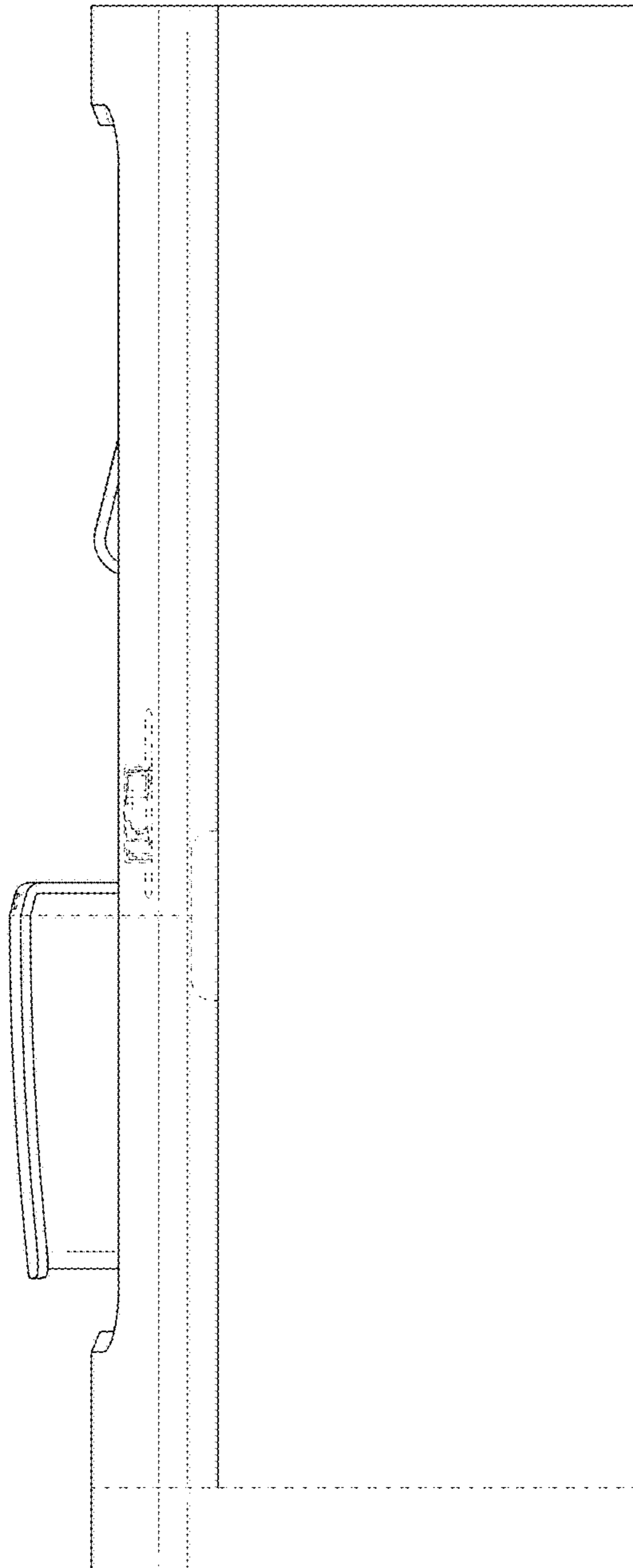


FIG. 5

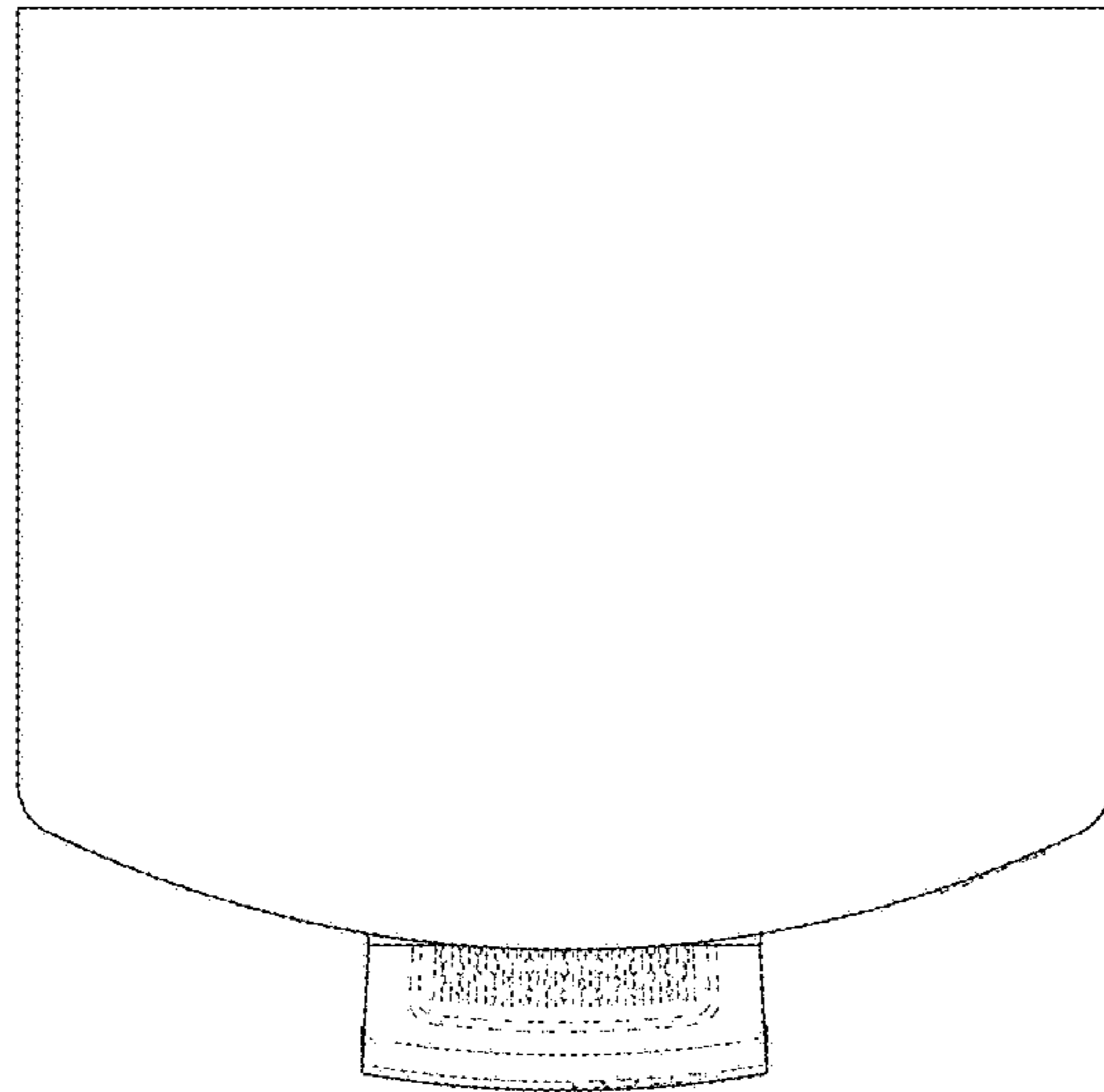


FIG. 6

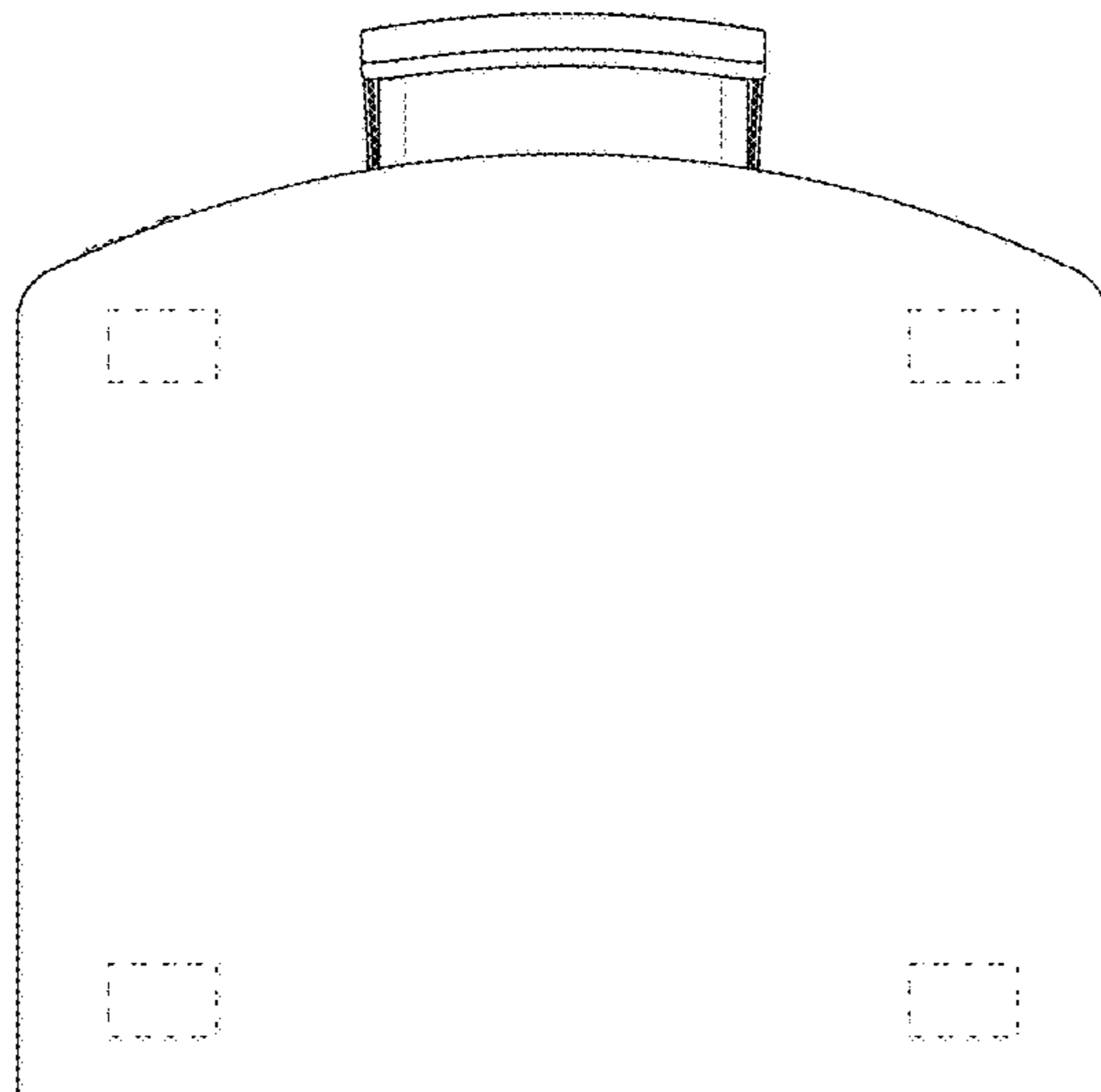


FIG. 7