



US00D862146S

(12) **United States Design Patent** (10) **Patent No.:** **US D862,146 S**
Lim et al. (45) **Date of Patent:** **** Oct. 8, 2019**

(54) **BUILT-IN COFFEE MACHINE**
[HOUSEHOLD]

D675,472 S * 2/2013 Strayle D7/309
D706,567 S * 6/2014 Strayle D7/309
D707,486 S * 6/2014 Borjesson D7/309
D805,831 S * 12/2017 Sadtler D7/309
D836,965 S * 1/2019 Goss D7/347

(71) Applicant: **LG ELECTRONICS INC.**, Seoul (KR)

* cited by examiner

(72) Inventors: **Jaemyung Lim**, Seoul (KR); **Sangwoo Kim**, Seoul (KR); **Sooyeon Kim**, Seoul (KR); **Yoonji Lee**, Seoul (KR); **Hangbok Lee**, Seoul (KR); **Hanjin Jung**, Seoul (KR); **Sangwoog Cho**, Seoul (KR); **Yuna Jo**, Seoul (KR)

Primary Examiner — Michael A. Pratt

(74) *Attorney, Agent, or Firm* — Birch, Stewart, Kolasch & Birch, LLP

(73) Assignee: **LG Electronics Inc.**, Seoul (KR)

(57) **CLAIM**

(**) Term: **15 Years**

The ornamental design for a built-in coffee machine [household], as shown and described.

(21) Appl. No.: **35/505,347**

(22) Filed: **Jan. 19, 2018**

(80) **Hague Agreement Data**

DESCRIPTION

Int. Filing Date: **Jan. 19, 2018**
Int. Reg. No.: **DM/099534**
Int. Reg. Date: **Jan. 19, 2018**
Int. Reg. Pub. Date: **Jul. 20, 2018**

- 1. Built-in coffee machine [household]
- 1.1 : Perspective
- 1.2 : Front
- 1.3 : Back
- 1.4 : Left
- 1.5 : Top
- 1.6 : Bottom
- 1.7 : Perspective view 2
- 1.8 : Reference view

(30) **Foreign Application Priority Data**

Jul. 21, 2017 (KR) 30-2017-0033744

(51) **LOC (12) Cl.** **07-01**

(52) **U.S. Cl.**
USPC **D7/309**

(58) **Field of Classification Search**
USPC D7/309–310
CPC A47J 31/4403; A47J 31/44; A47J 31/0663;
A47J 31/42; A47J 2201/00; A47J 31/0657
See application file for complete search history.

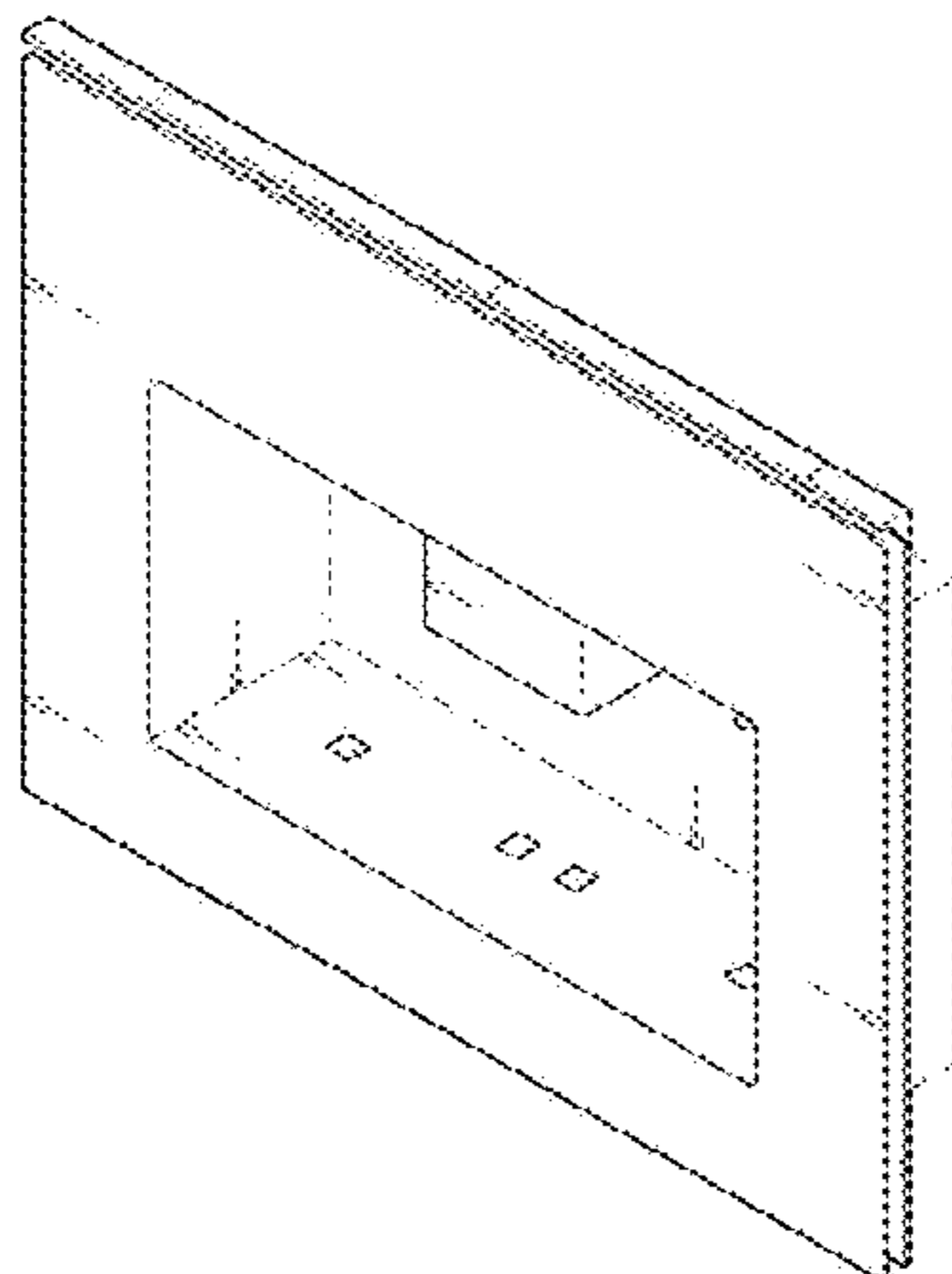
The broken lines depict portions of the built-in coffee machine [household] that form no part of the claimed design; reproduction 1.1 is a front perspective view of the built-in coffee machine [household]; reproduction 1.2 is a front view thereof; reproduction 1.3 is a back view thereof; reproduction 1.4 is a left view thereof where the right view is a mirror image; reproduction 1.5 is a top view thereof; reproduction 1.6 is a bottom view thereof; reproduction 1.7 is a bottom perspective view thereof; reproduction 1.8 is a reference view in which the claimed design is installed on a wall, a part of the claimed design.

(56) **References Cited**

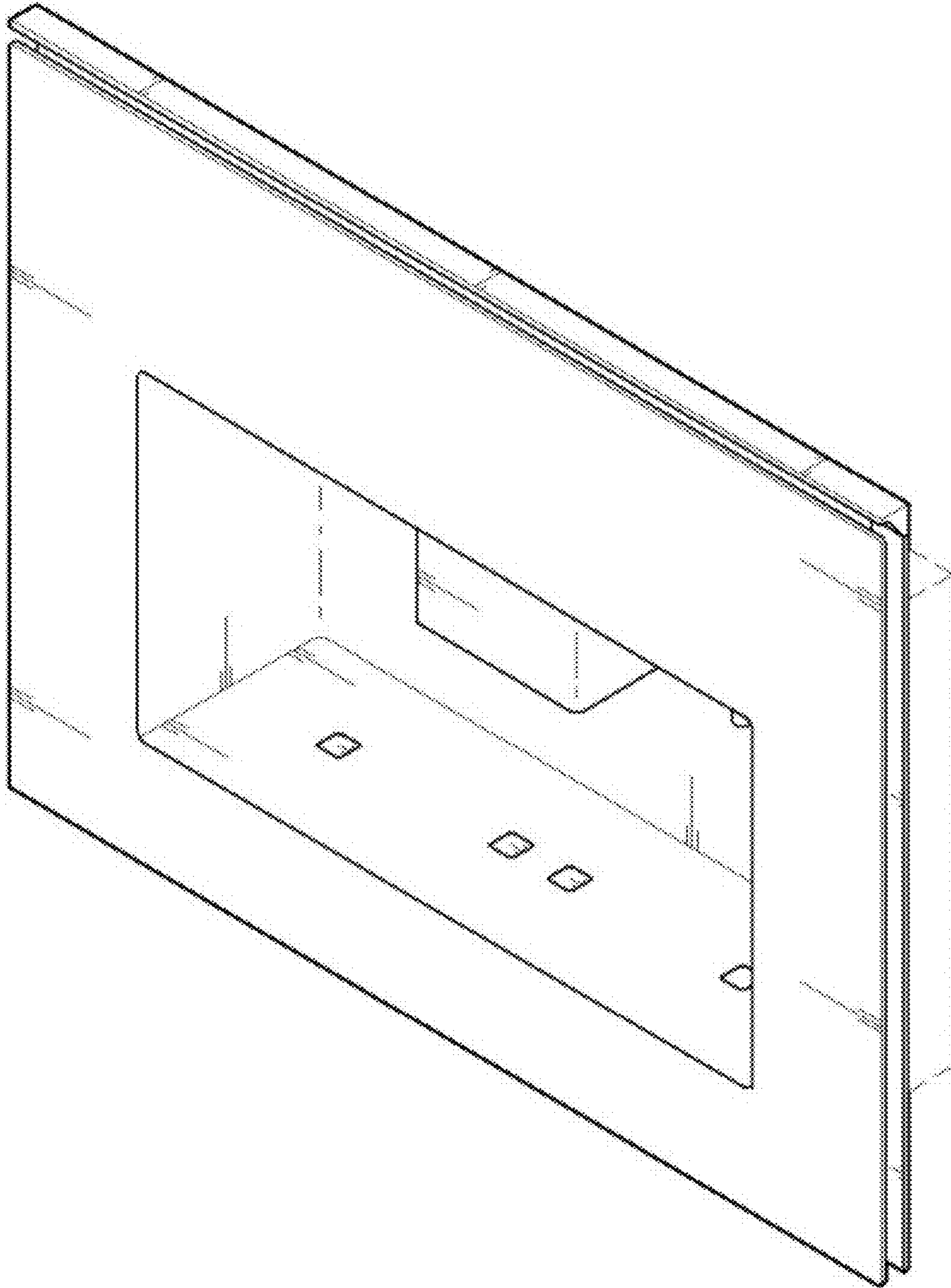
U.S. PATENT DOCUMENTS

D424,871 S * 5/2000 Hahn D7/309
D557,547 S * 12/2007 Knoell D7/308

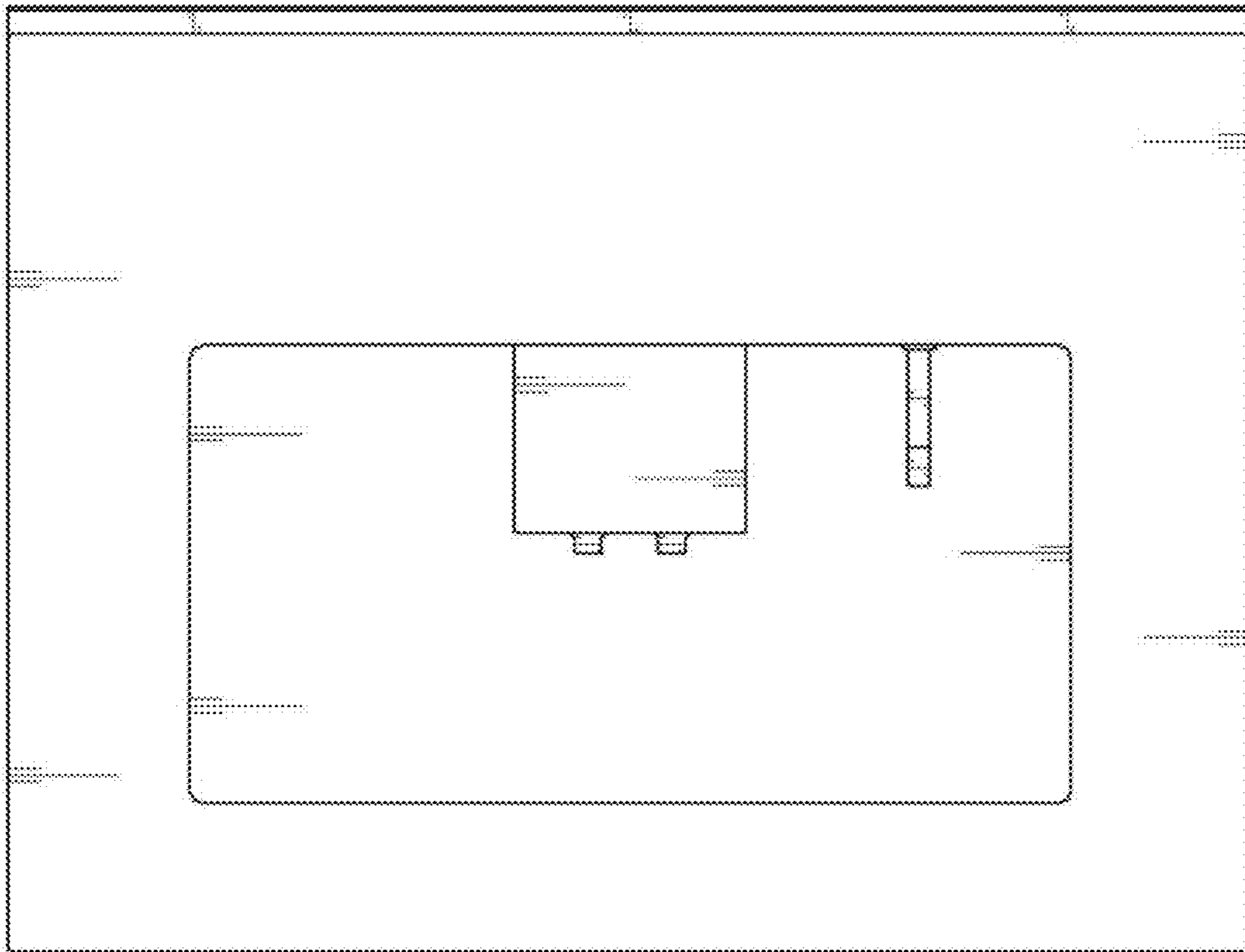
1 Claim, 8 Drawing Sheets



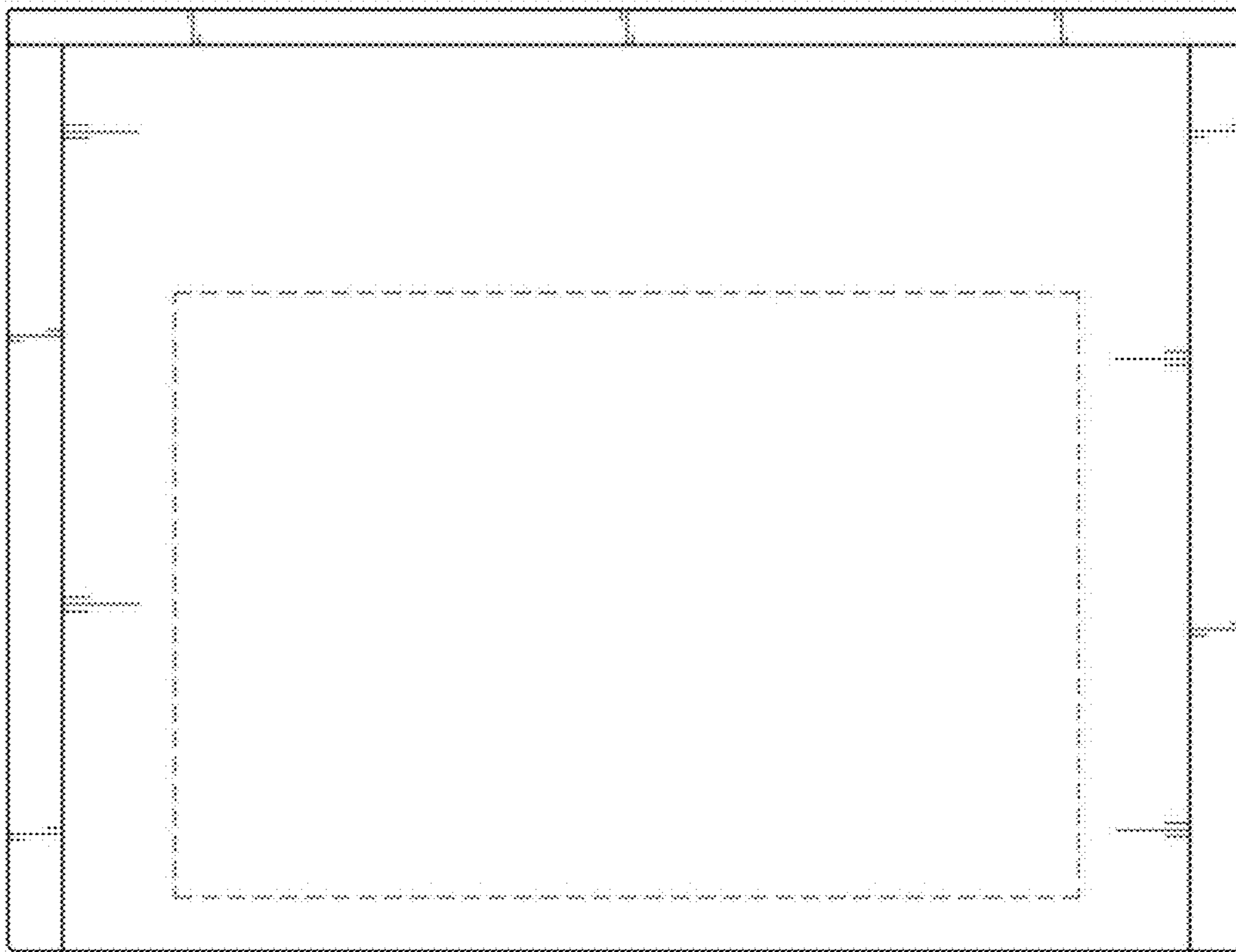
1.1



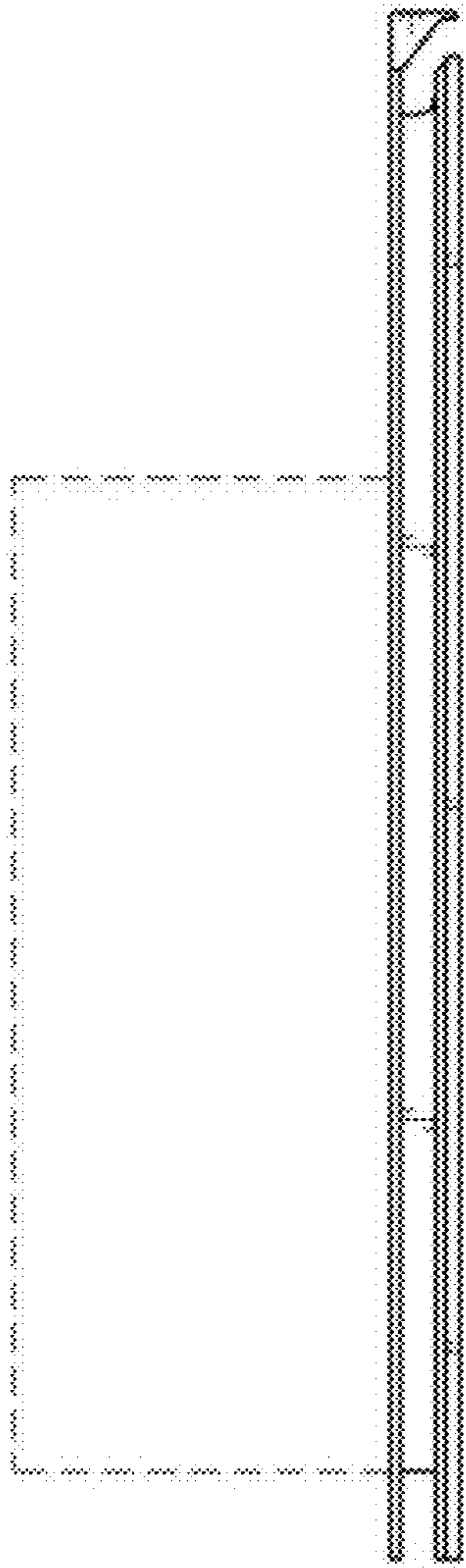
1.2



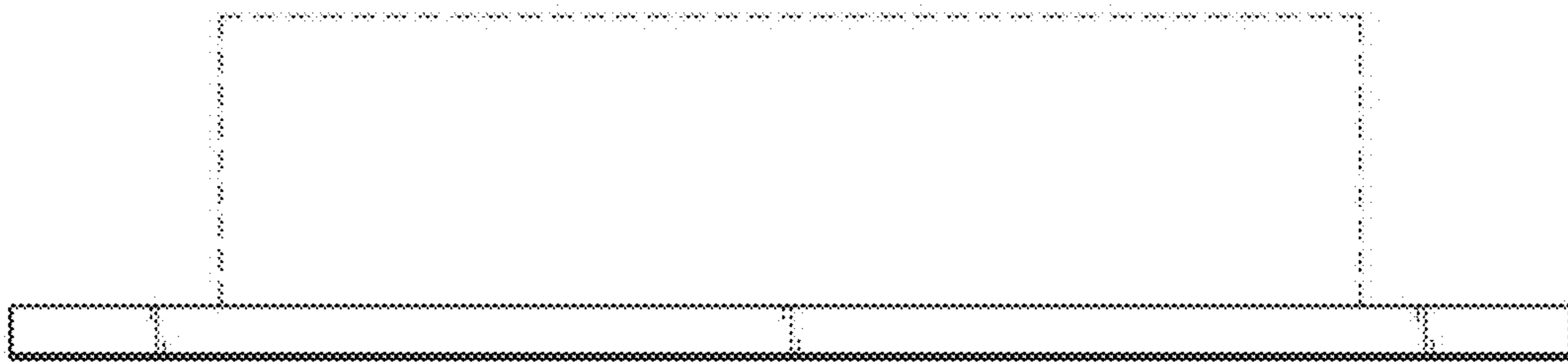
1.3



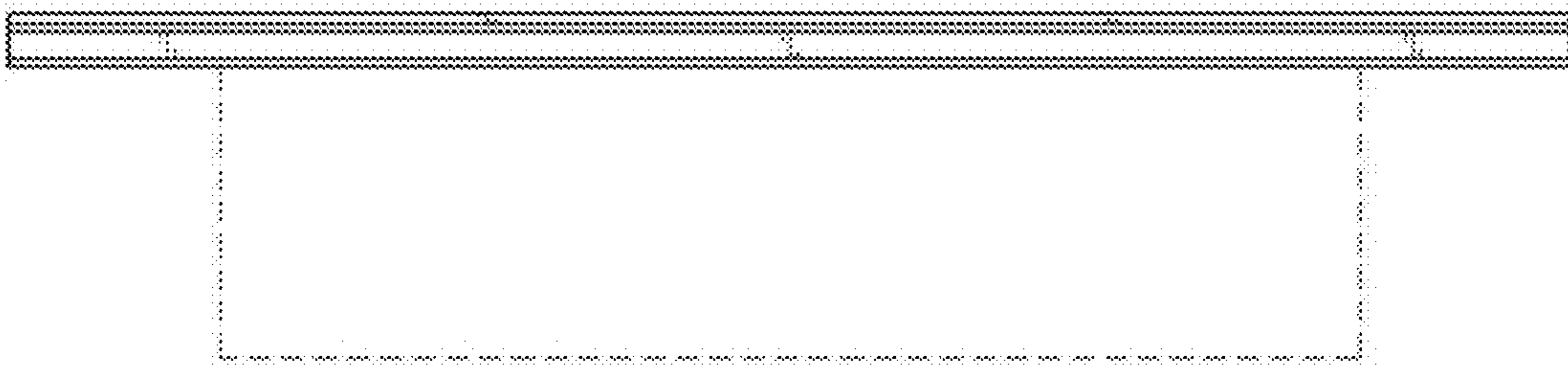
1.4



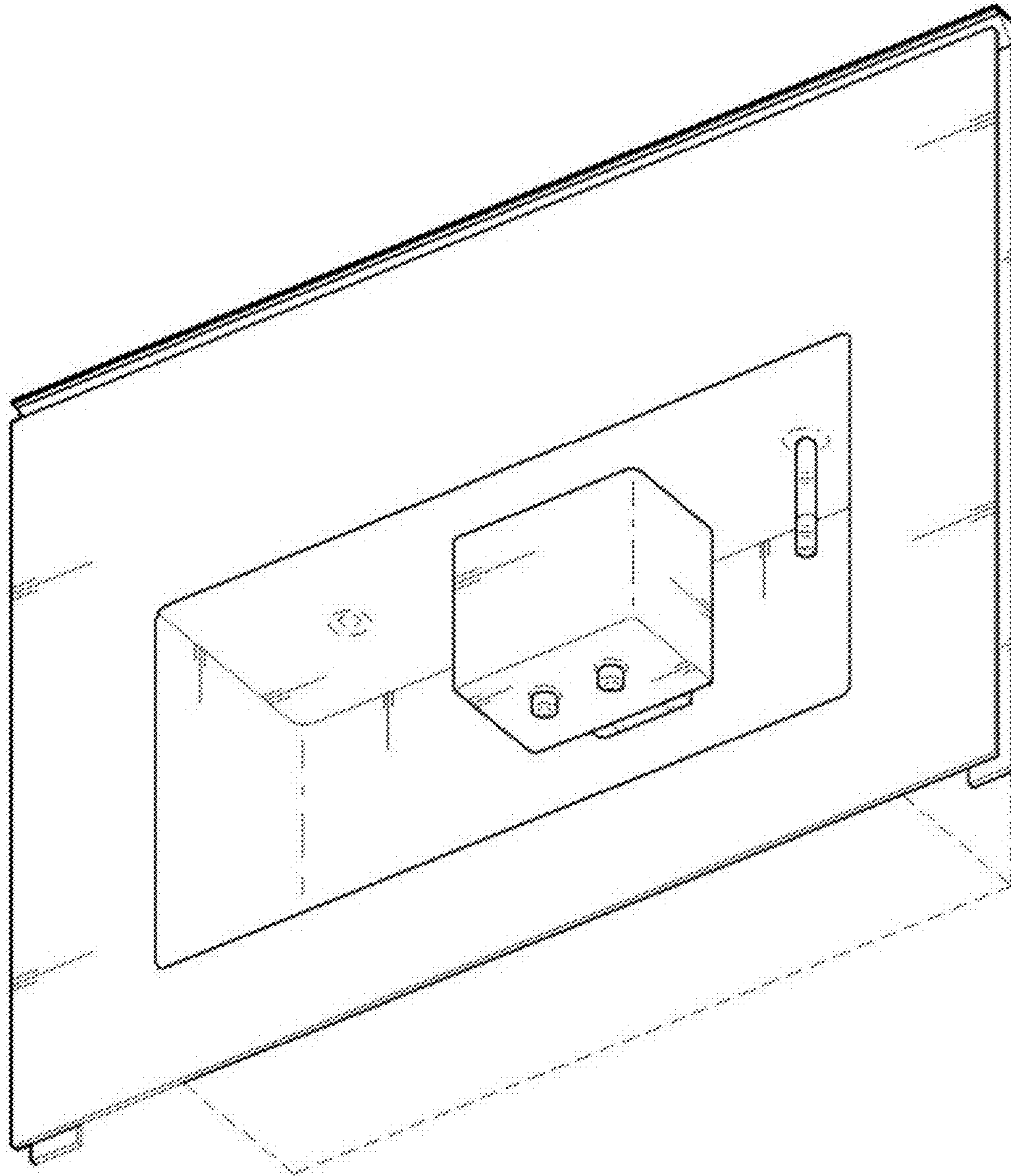
1.5



1.6



1.7



1.8

