

US00D862145S

(12) **United States Design Patent** (10) **Patent No.:** **US D862,145 S**  
**Foglia** (45) **Date of Patent:** **\*\* Oct. 8, 2019**

(54) **COFFEE MACHINE**

(71) Applicant: **SIMONELLI GROUP S.P.A.**, Belforte del Chienti (MC) (IT)

(72) Inventor: **Simone Foglia**, Macerata (IT)

(73) Assignee: **SIMONELLI GROUP S.P.A.**, Belforte del Chienti (IT)

(\*\*) Term: **15 Years**

(21) Appl. No.: **29/643,274**

(22) Filed: **Apr. 6, 2018**

(30) **Foreign Application Priority Data**

Oct. 6, 2017 (EM) ..... 004388726-002

(51) **LOC (12) Cl.** ..... **07-01**

(52) **U.S. Cl.**  
USPC ..... **D7/309; D7/311**

(58) **Field of Classification Search**

USPC ..... D7/305-311, 313; D15/82; 222/129.1, 222/146.6; 99/295; D20/1

CPC ..... A47J 31/44; A47J 31/4403; A47J 31/46;

A47J 31/4482; A47J 31/369; A47J 31/52;

A47J 31/407; A47J 31/10; A47J 31/467;

A47J 31/0615; B67D 1/36; B67D

2210/0065; B67D 1/0864; B67D 3/0061

See application file for complete search history.

(56) **References Cited**

**U.S. PATENT DOCUMENTS**

D395,975 S \* 7/1998 Munoz ..... D7/308

D476,842 S \* 7/2003 Cortese ..... D7/308

D497,765 S *	11/2004	Netter	.....	D7/300
D550,498 S *	9/2007	Vicente Seguer	.....	D7/309
D551,487 S *	9/2007	Beretta	.....	D7/307
D573,393 S *	7/2008	Trazzi	.....	D7/309
D592,003 S *	5/2009	Giugiaro	.....	D7/308
D598,739 S *	8/2009	Jimenez	.....	D9/420
D672,998 S *	12/2012	Bonetto	.....	D7/308
D695,052 S *	12/2013	Ottavi	.....	D7/309
D758,778 S *	6/2016	Bonetto	.....	D7/306
D812,404 S *	3/2018	Guelfo	.....	D7/307
D812,405 S *	3/2018	Guelfo	.....	D7/309
D841,384 S *	2/2019	Furstenberg	.....	D7/309
2009/0205502 A1 *	8/2009	Carbonini	.....	A47J 31/52 99/280

\* cited by examiner

*Primary Examiner* — Marianne N Pandozzi

(57) **CLAIM**

The ornamental design for a coffee machine, as shown and described.

**DESCRIPTION**

FIG. 1 is a perspective view of a coffee machine showing my new design.

FIG. 2 is a front view thereof;

FIG. 3 is a rear view thereof;

FIG. 4 is a top view thereof;

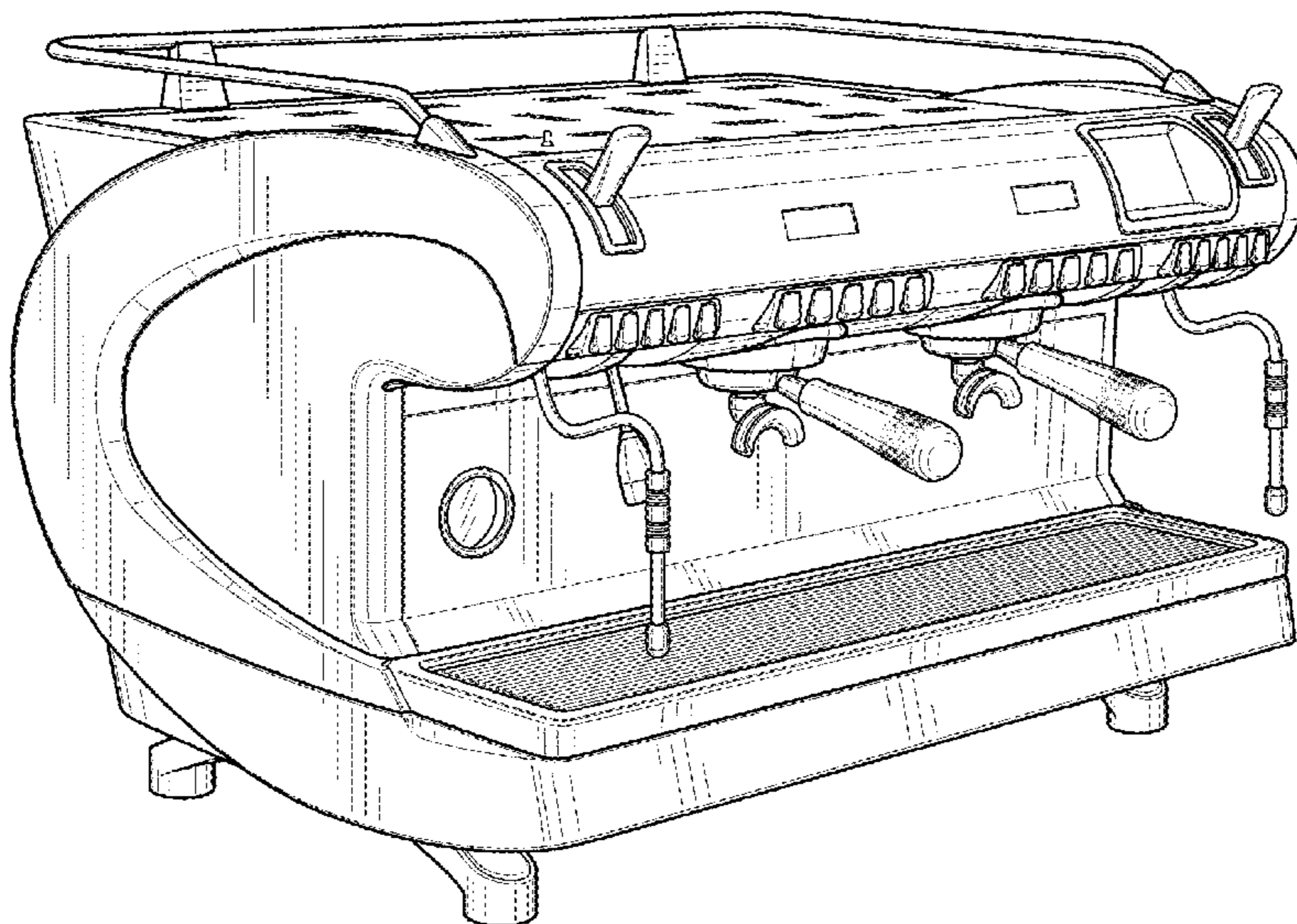
FIG. 5 is a bottom view thereof;

FIG. 6 is a side view thereof; and,

FIG. 7 is an opposite side view thereof.

The elements presented in broken lines represent unclaimed portions of the coffee machine and form no part of the claimed design.

**1 Claim, 4 Drawing Sheets**



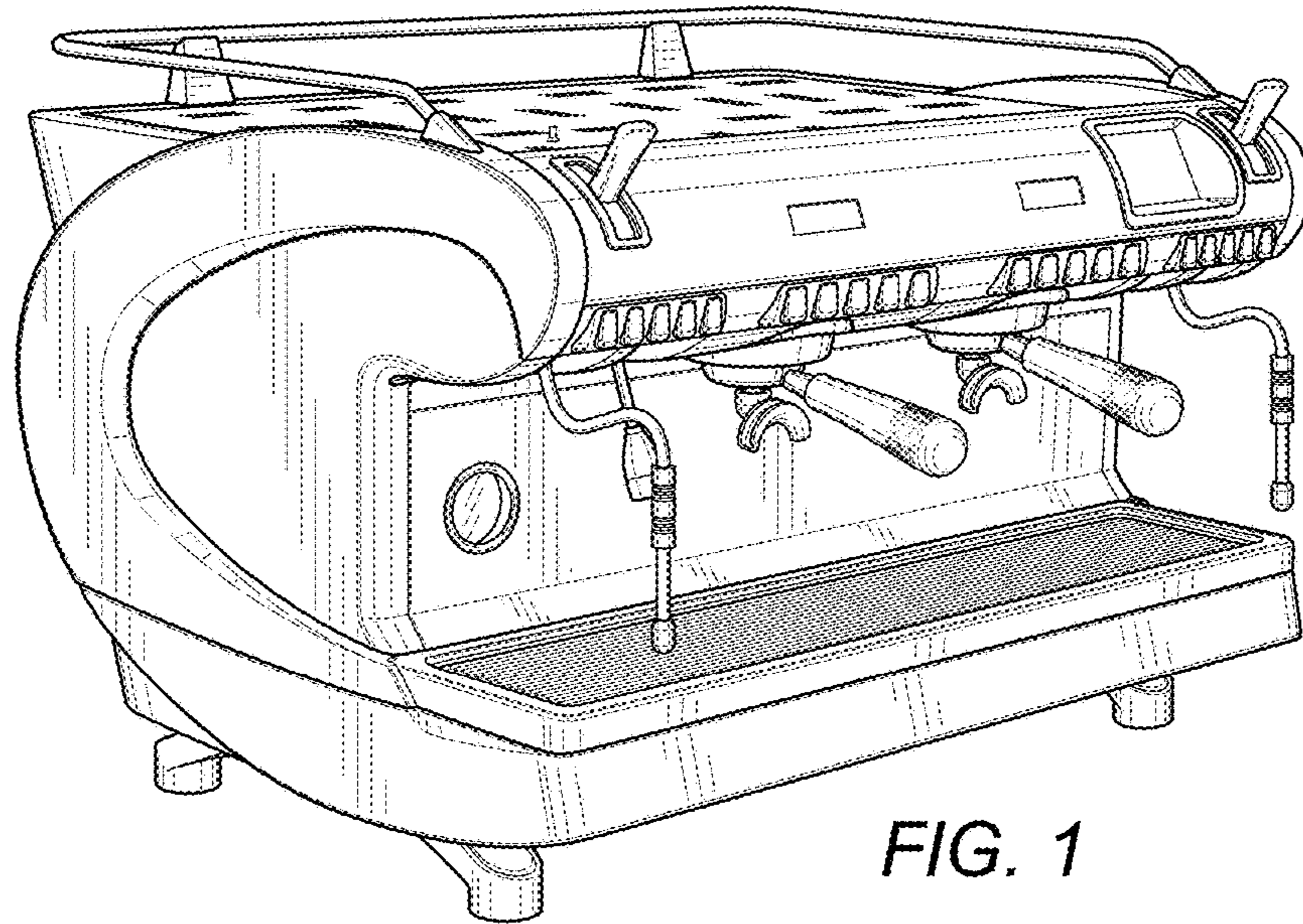


FIG. 1

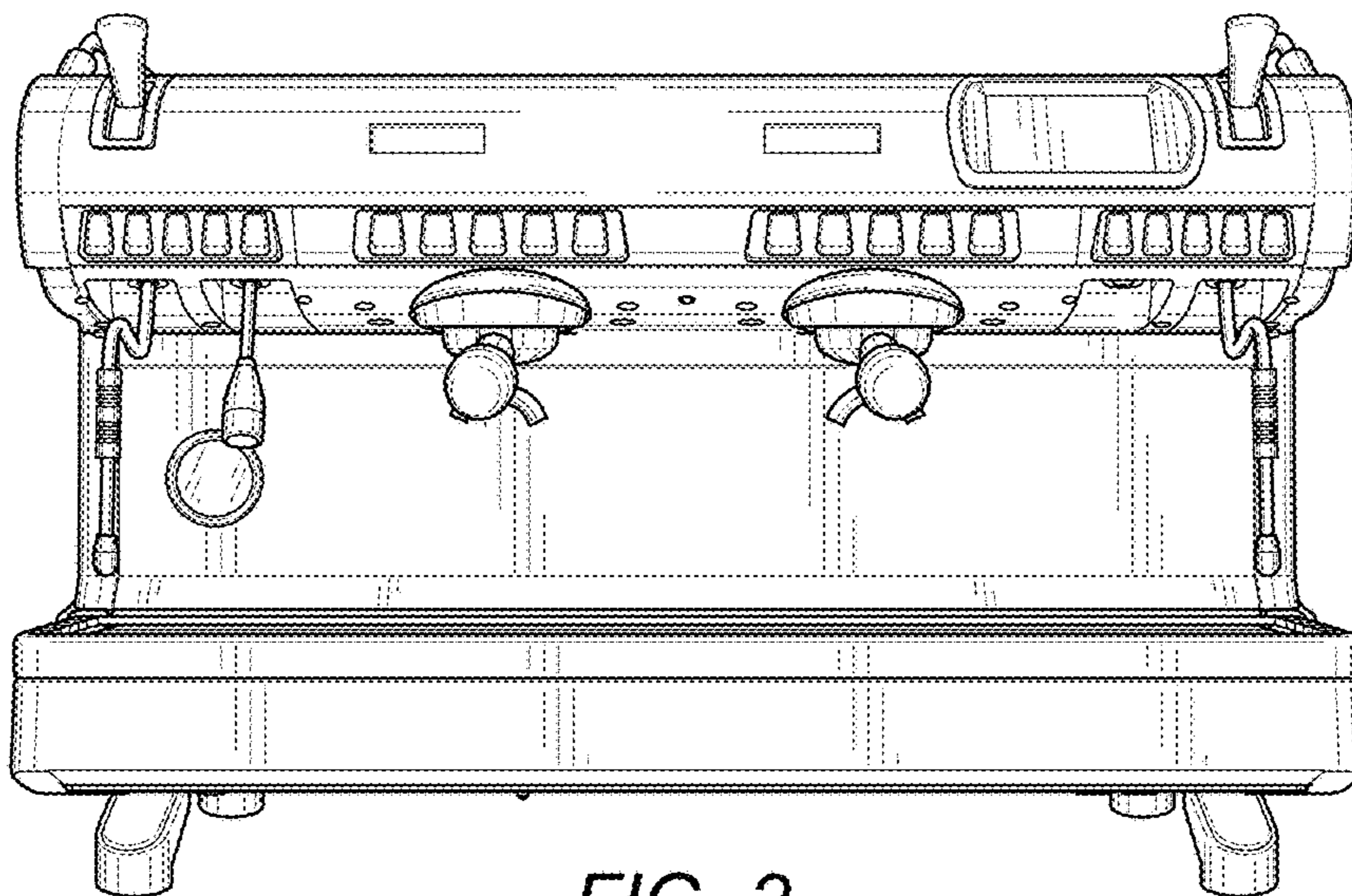


FIG. 2

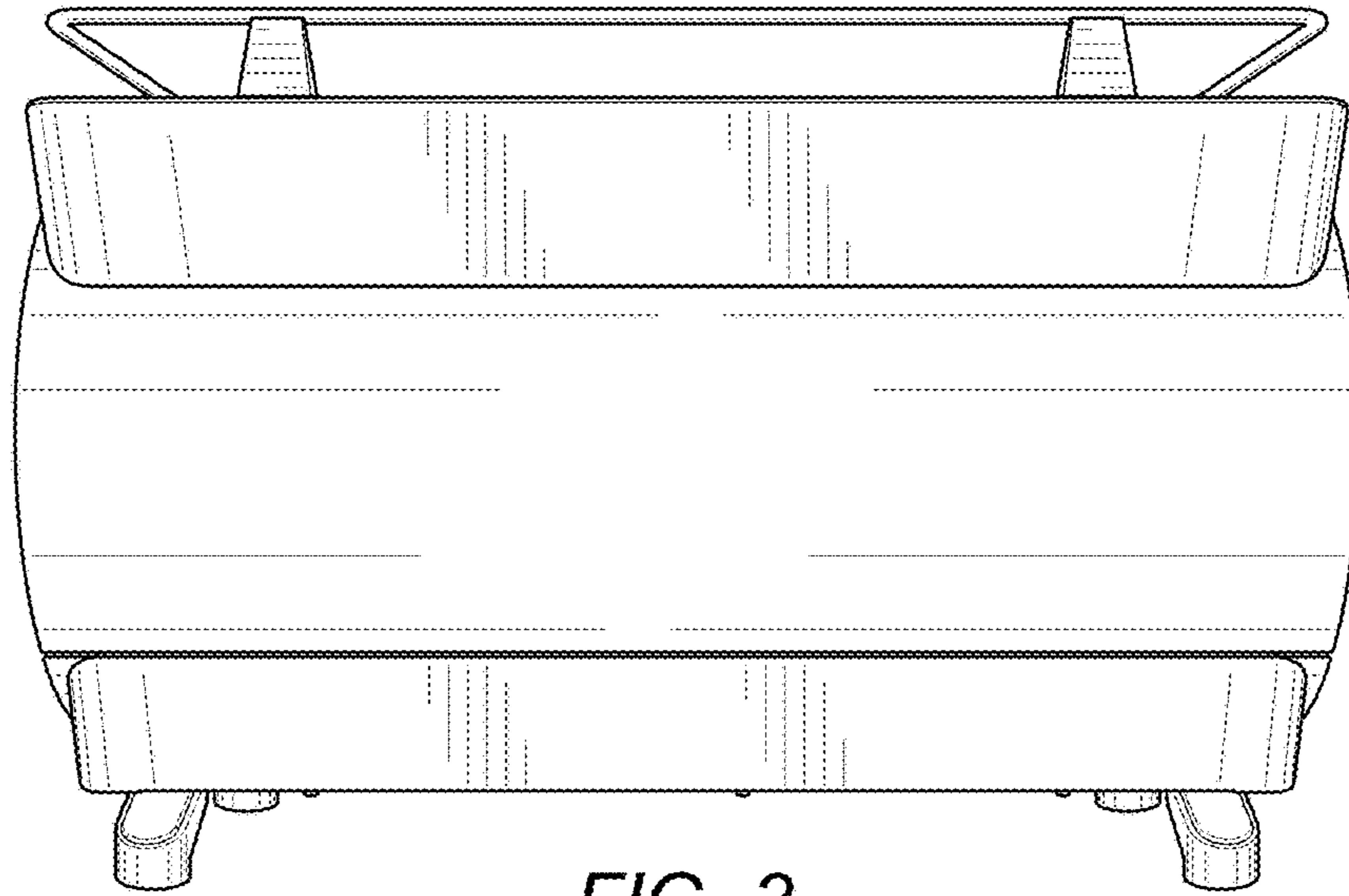


FIG. 3

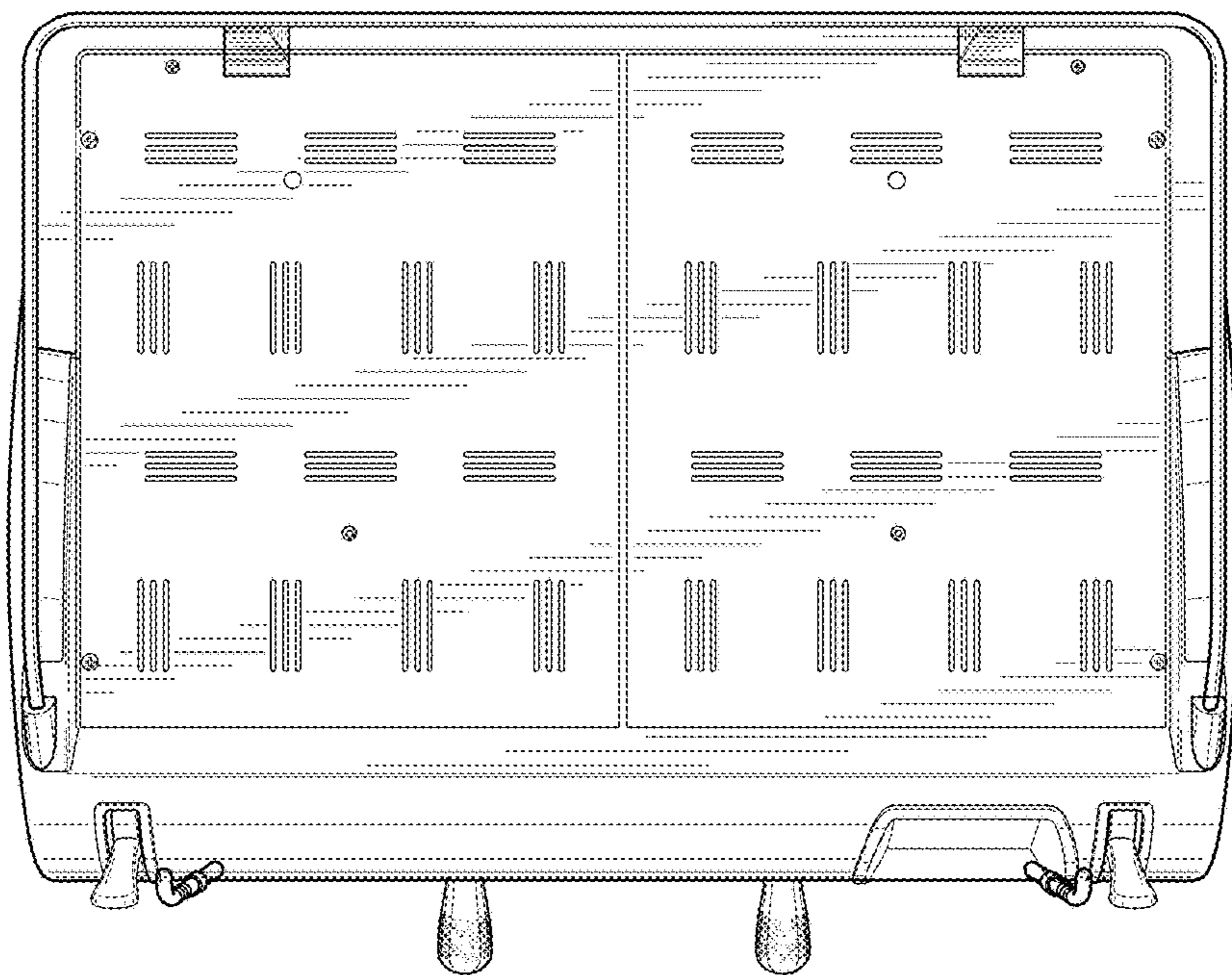


FIG. 4

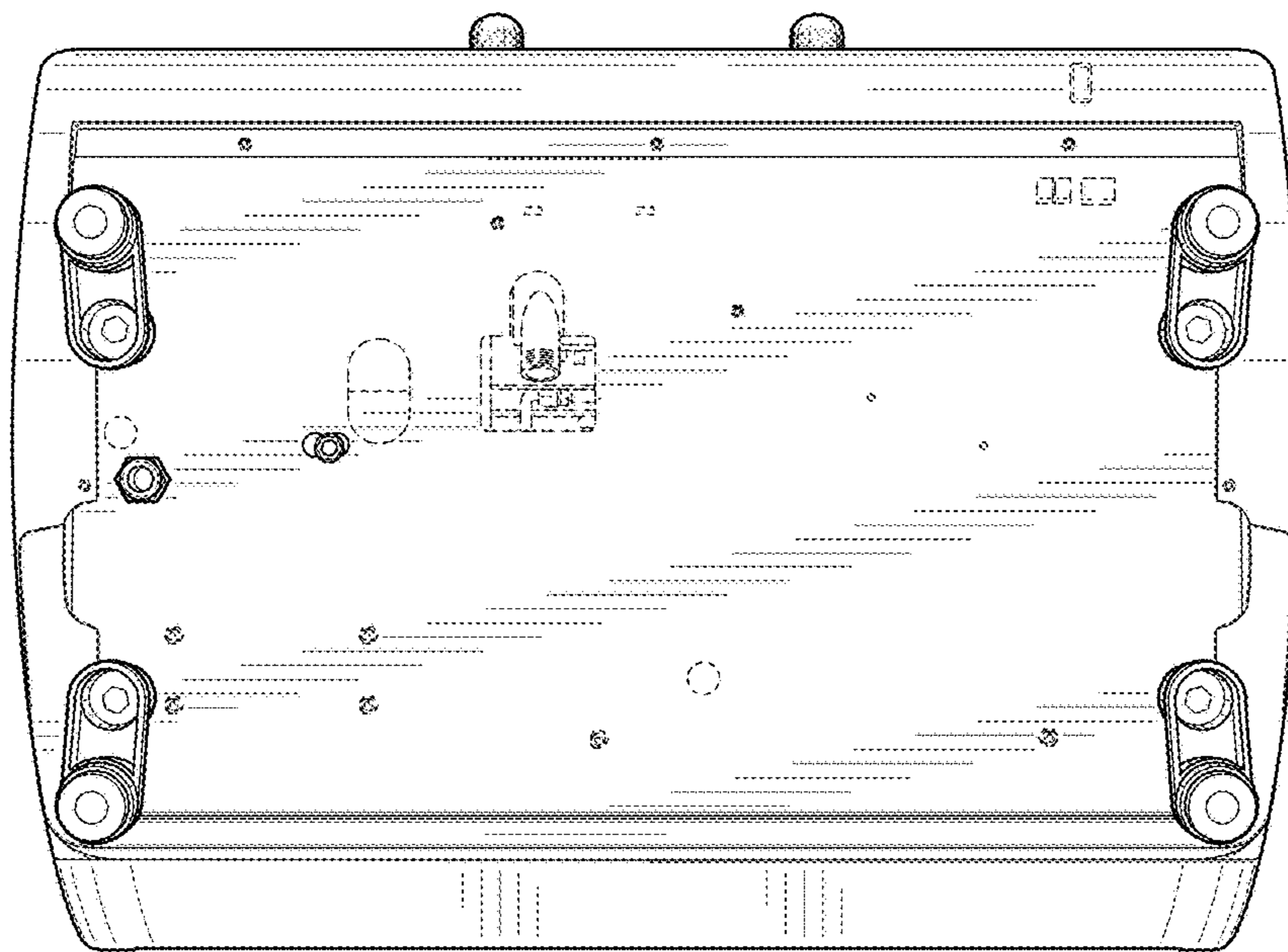


FIG. 5

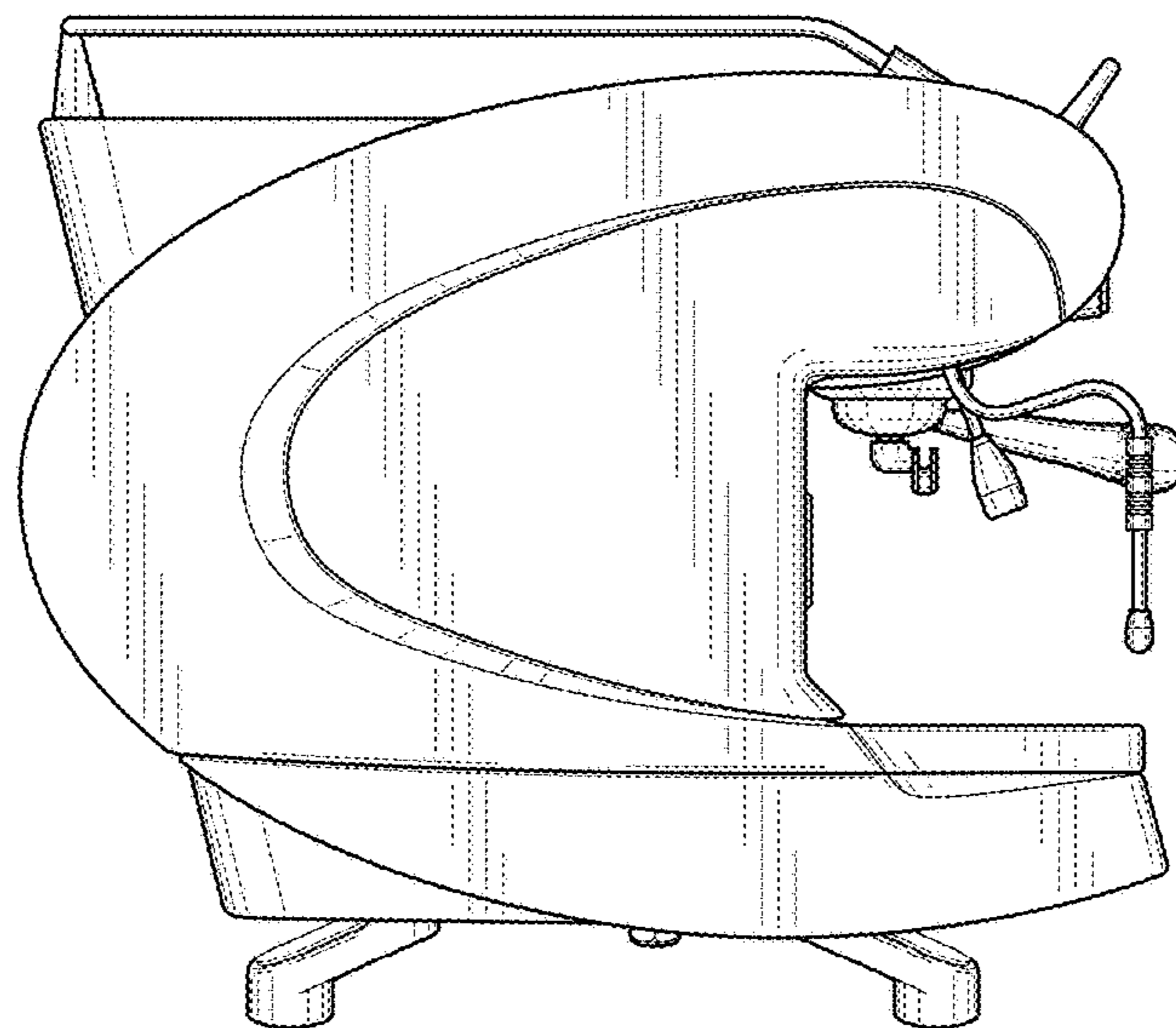


FIG. 6

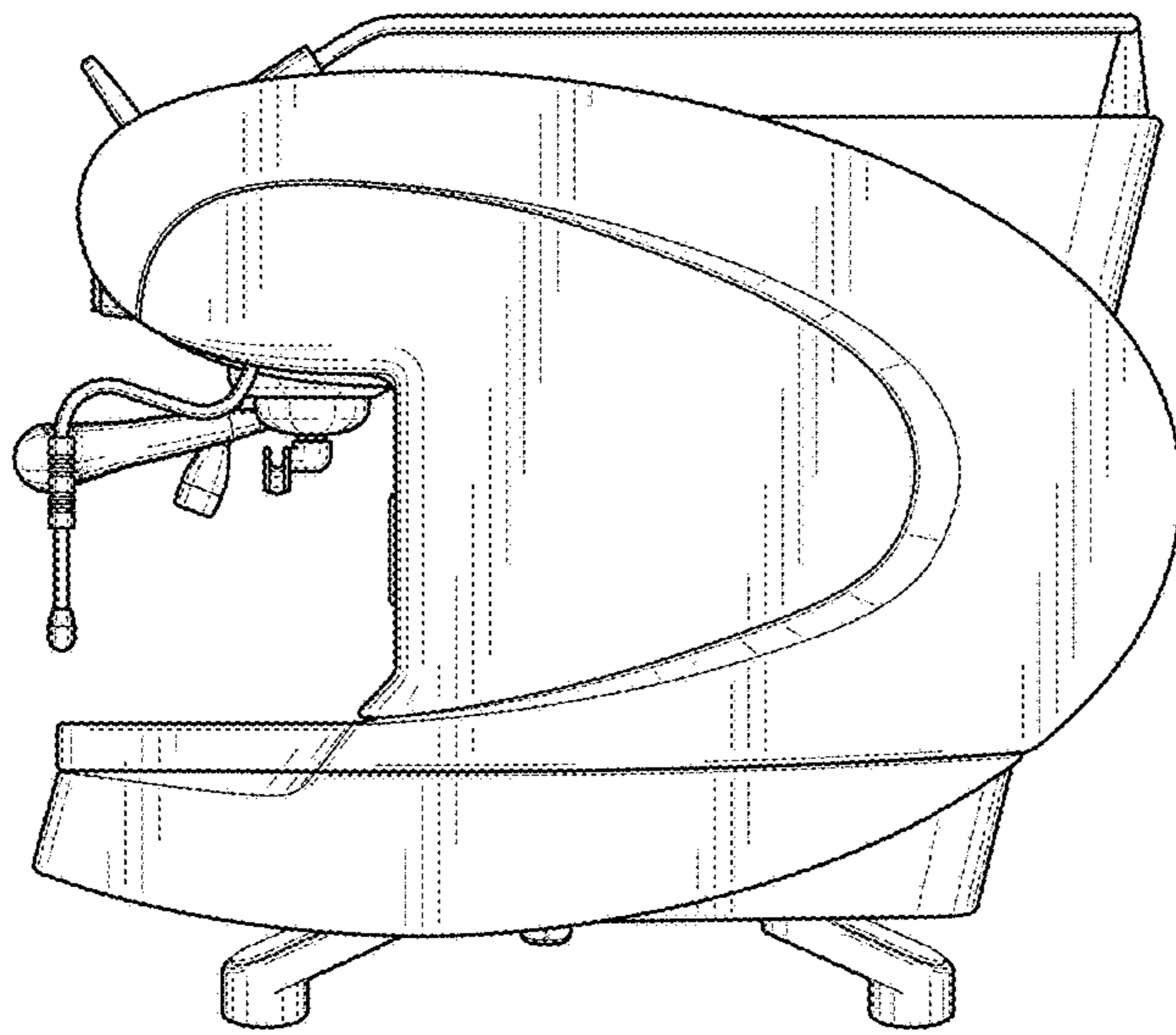


FIG. 7