

US00D862143S

(12) **United States Design Patent**
Stefanoni

(10) **Patent No.:** **US D862,143 S**

(45) **Date of Patent:** **** Oct. 8, 2019**

- (54) **ESPRESSO COFFEE MACHINE**
- (71) Applicant: **Ides Development Company Limited**,
San Po Kong, Kowloon (HK)
- (72) Inventor: **Roberto Stefanoni**, Oggiono (IT)
- (73) Assignee: **IDES DEVELOPMENT COMPANY LIMITED**, San Po Kong, Kowloon
(HK)
- (**) Term: **15 Years**

D723,315 S *	3/2015	Wilder	D23/209
D728,987 S *	5/2015	Cahen	D7/309
D817,061 S *	5/2018	Lissoni	D7/309
D831,398 S *	10/2018	Cahen	D7/306
D832,019 S *	10/2018	Cahen	D7/306
D840,733 S *	2/2019	Hale	D7/306

* cited by examiner

Primary Examiner — Marianne N Pandozzi

(74) *Attorney, Agent, or Firm* — Lucas & Mercanti, LLP

- (21) Appl. No.: **29/618,627**
- (22) Filed: **Sep. 22, 2017**
- (51) **LOC (12) Cl.** **07-01**
- (52) **U.S. Cl.**
USPC **D7/309; D7/311**
- (58) **Field of Classification Search**
USPC D7/300, 309-311, 306-308, 305, 397,
D7/355, 362, 365, 367, 399; 222/146.6,
222/185.1, 135; 99/295, 273, 304, 288,
99/279, 307, 283; D20/4; D23/207
CPC A47J 31/46; A47J 31/407; A47J 31/50; A47J
31/18; A47J 31/00; A47J 27/04; A47J
31/0573; A47J 31/52
See application file for complete search history.

(57) **CLAIM**

The ornamental design for an espresso coffee machine, as shown and described.

DESCRIPTION

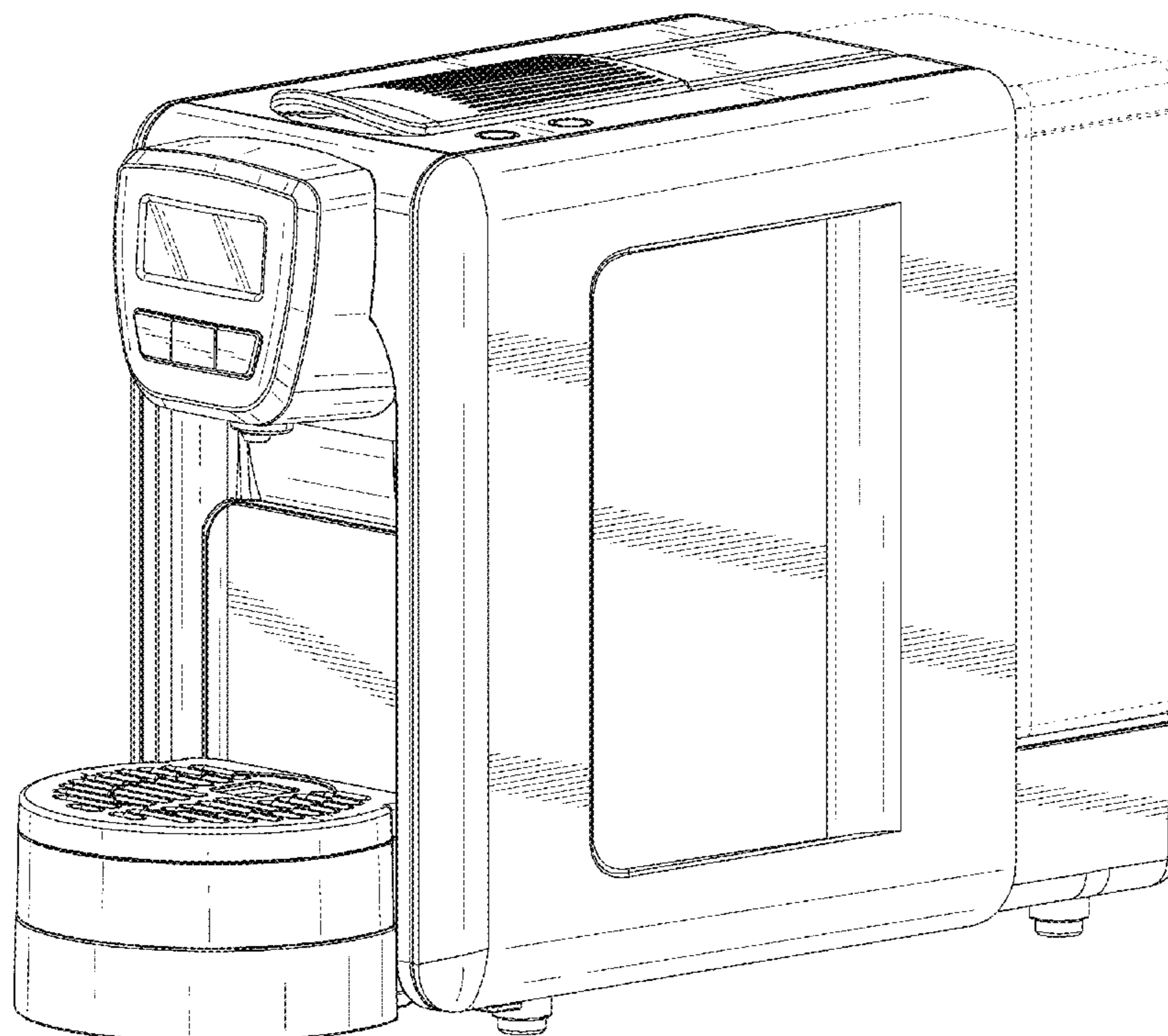
FIG. 1 is a perspective view of an espresso coffee machine showing my new design;
 FIG. 2 is a front view thereof;
 FIG. 3 is a rear view thereof;
 FIG. 4 is a top plan view thereof;
 FIG. 5 is a bottom plan view thereof;
 FIG. 6 is a right side view thereof; and,
 FIG. 7 is a right side view thereof.
 The broken lines in the drawing depict portions of the espresso coffee machine that form no part of the claimed design.

(56) **References Cited**

U.S. PATENT DOCUMENTS

- 8,210,095 B2 * 7/2012 Brezovnik A47J 31/369
99/279
- D695,054 S * 12/2013 De Pra D7/309

1 Claim, 6 Drawing Sheets



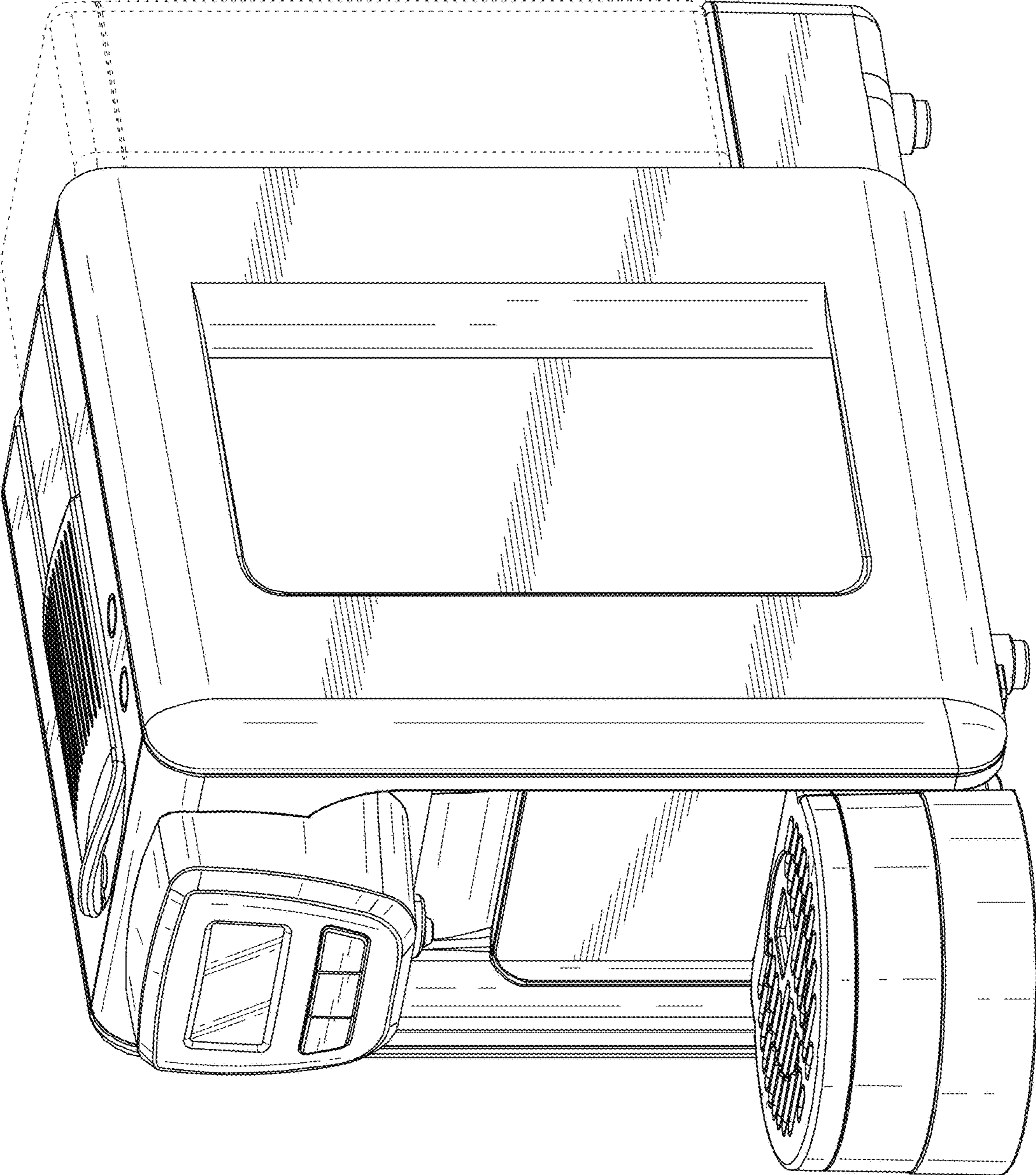


FIG. 1

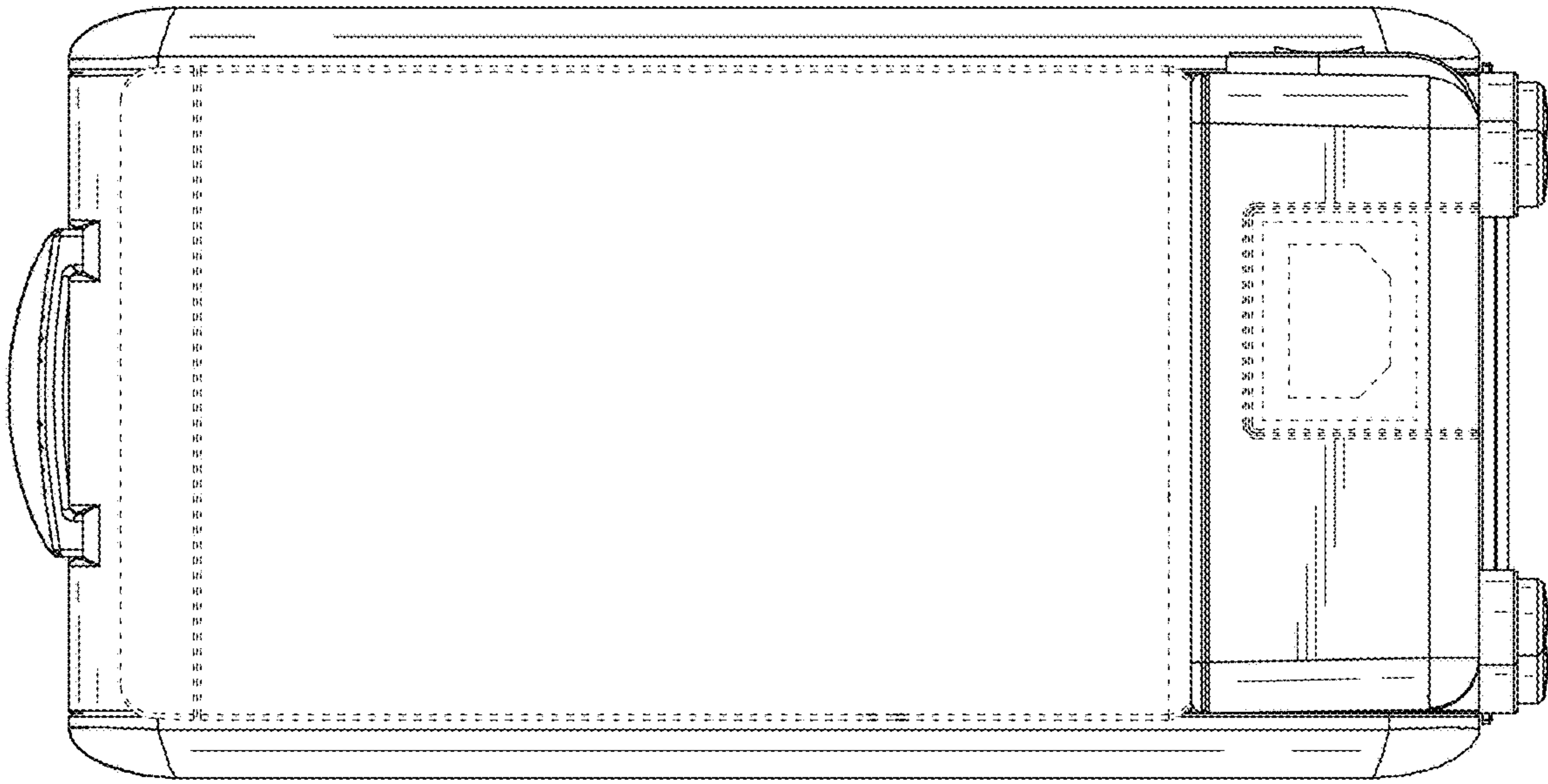


FIG. 3

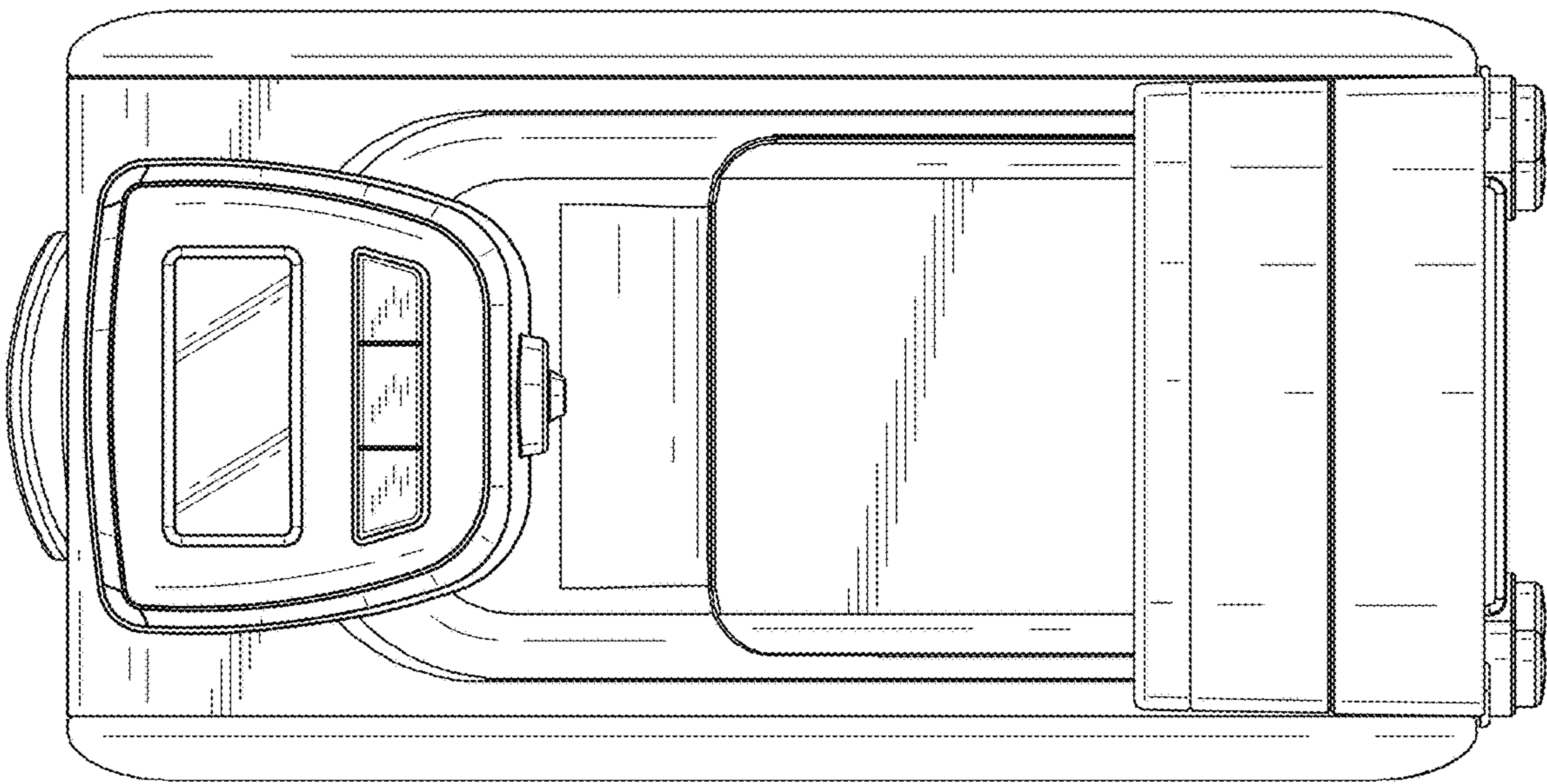


FIG. 2

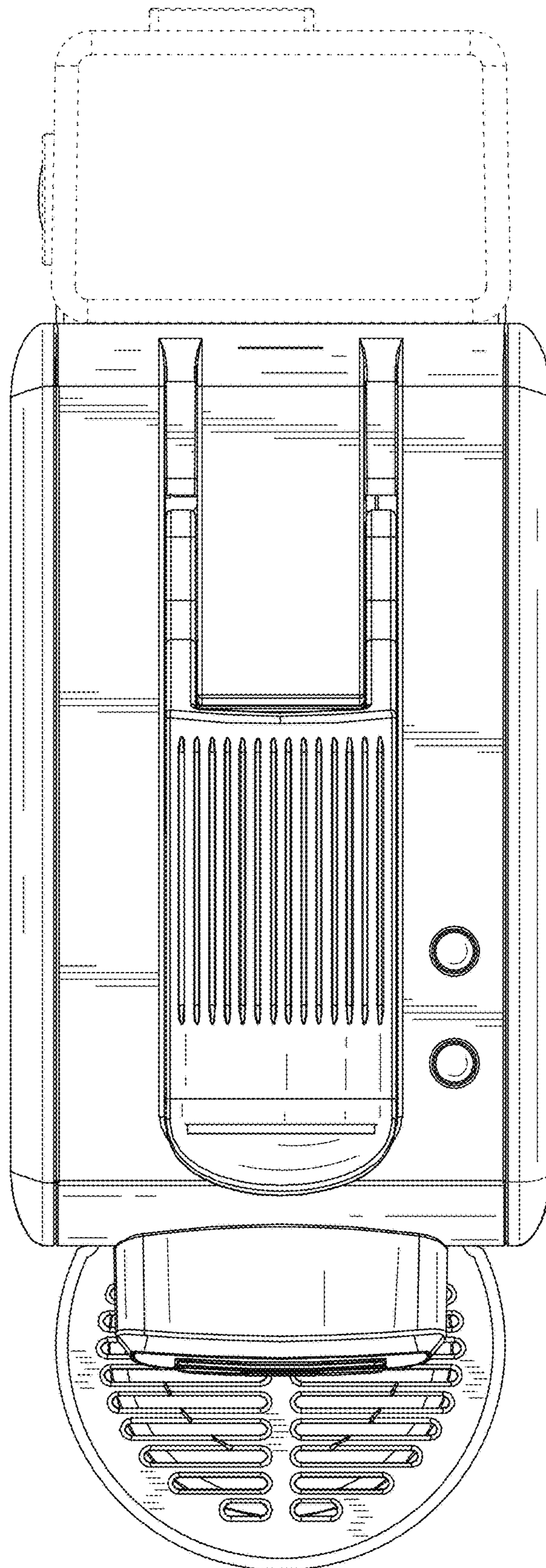


FIG. 4

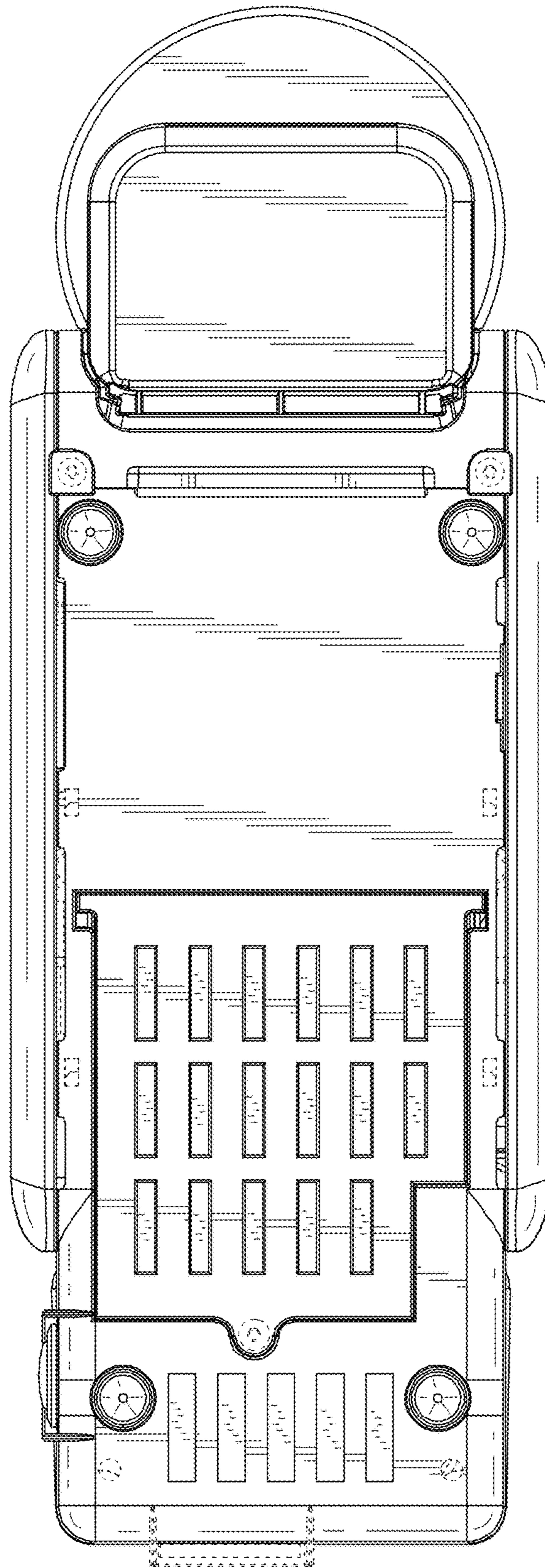


FIG. 5

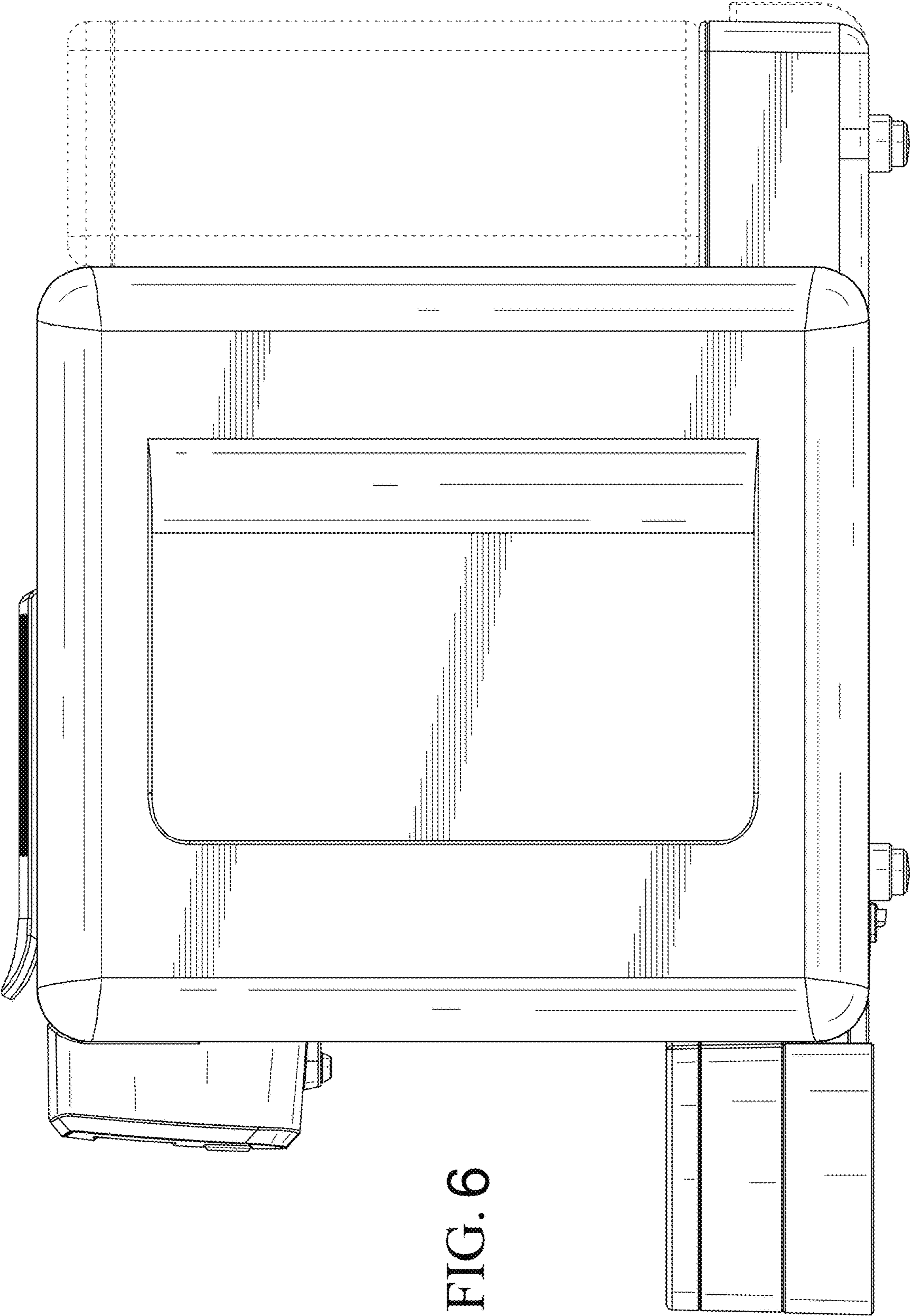


FIG. 6

FIG. 7

