



US00D862141S

(12) **United States Design Patent**
Bowser

(10) **Patent No.:** **US D862,141 S**
(45) **Date of Patent:** **** Oct. 8, 2019**

(54) **TABLE LEG**

(71) Applicant: **William Bowser**, Park City, UT (US)

(72) Inventor: **William Bowser**, Park City, UT (US)

(**) Term: **15 Years**

(21) Appl. No.: **29/630,493**

(22) Filed: **Dec. 21, 2017**

(51) **LOC (12) Cl.** **06-06**

(52) **U.S. Cl.**

USPC **D6/709.21**; D6/691.5

(58) **Field of Classification Search**

USPC D6/641, 657, 685, 686, 689, 690, 691,
D6/691.1, 691.2, 691.3, 691.4, 691.5,
D6/691.6, 691.7, 691.8, 691.9, 699,
D6/699.1, 699.2, 699.3, 699.4, 699.5,
D6/702, 707, 707.15, 708, 709, 709.17,
D6/709.2, 709.21, 709.22, 711
CPC .. A47B 37/00; A47B 3/00; A47B 1/00; A47B
3/06; A47B 3/08; A47B 7/00; A47B
21/00; A47B 23/00; A47B 25/00; A47B
13/08; A47B 3/083; A47B 3/14; A47B
41/00; A47B 17/00; A47B 3/0809; A47B
3/0812; A47B 2013/026; A47B 2200/03;
A47B 2200/00; A47B 2003/0821; A47C
3/045

See application file for complete search history.

(56) **References Cited**

U.S. PATENT DOCUMENTS

1,669,199 A 7/1922 Hicks
D128,279 S * 7/1941 Caldwell D6/406.1
D180,283 S * 5/1957 Hoven D6/691.5
(Continued)

OTHER PUBLICATIONS

Book ends, publicly available, on information and belief, at least as early as Dec. 19, 2017 (5 pages, 18 photos).

(Continued)

Primary Examiner — Mary Ann Calabrese

Assistant Examiner — Catherine Ho

(74) *Attorney, Agent, or Firm* — Workman Nydegger

(57) **CLAIM**

I claim the ornamental design for a table leg, as shown and described.

DESCRIPTION

FIG. 1 is a perspective view of the first embodiment of a table leg shown in an environment of use, showing my new design;

FIG. 2 is a right top perspective view of the first embodiment of a table leg;

FIG. 3 is a left top perspective view thereof;

FIG. 4 is a front view thereof;

FIG. 5 is a back view thereof;

FIG. 6 is a right side view thereof;

FIG. 7 is a left side view thereof;

FIG. 8 is a top view thereof;

FIG. 9 is a bottom view thereof;

FIG. 10 is a perspective view of the second embodiment of a table leg shown in an environment of use;

FIG. 11 is a right top perspective view of the second embodiment of a table leg;

FIG. 12 is a left top perspective view thereof;

FIG. 13 is a front view thereof;

FIG. 14 is a back view thereof;

FIG. 15 is a right side view thereof;

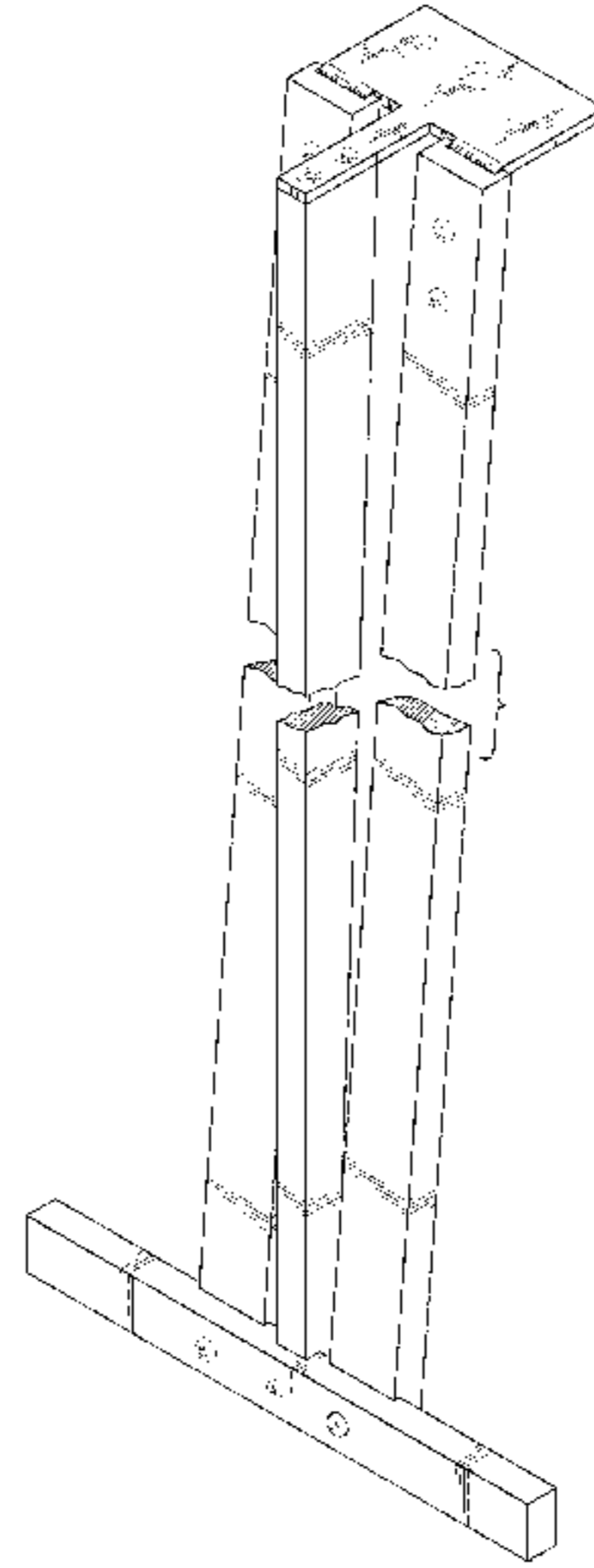
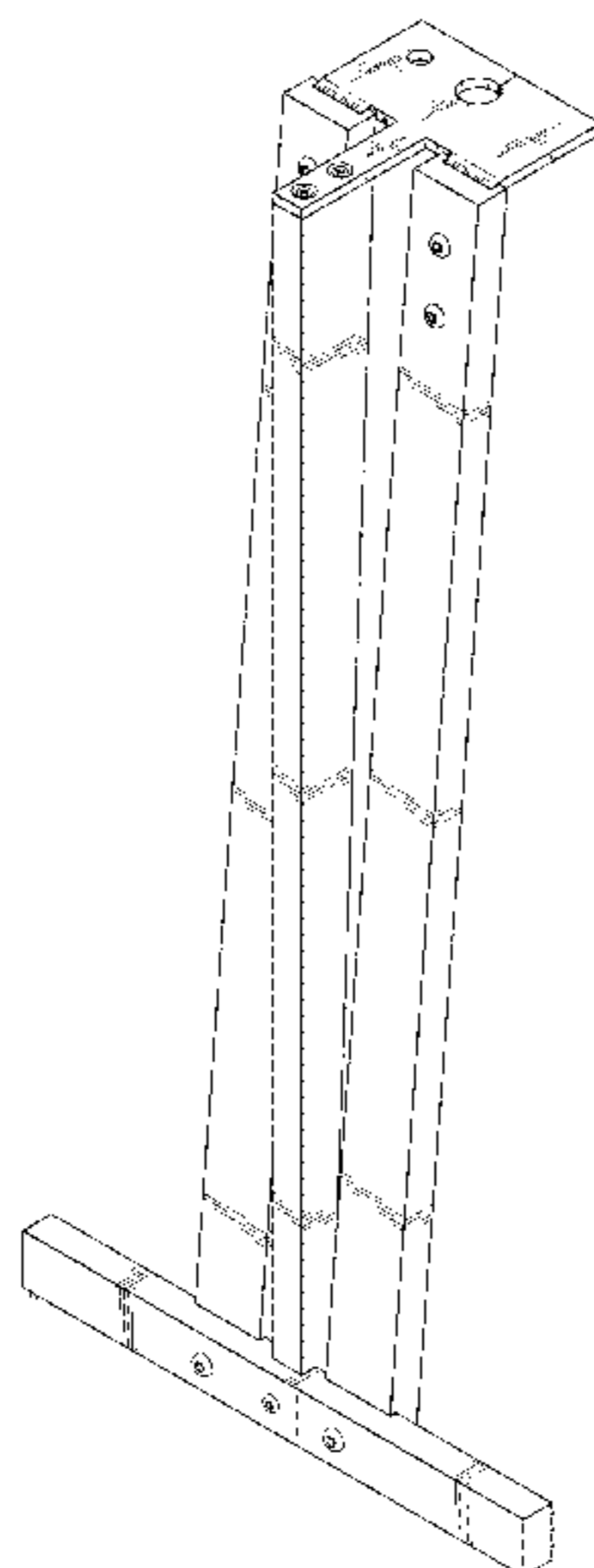
FIG. 16 is a left side view thereof;

FIG. 17 is a top view thereof; and,

FIG. 18 is a bottom view thereof.

The broken line portion of the figure drawings is included to show environment and boundaries of the article that form no part of the claimed design. The article is shown with a symbolic break in its length. The appearance of any portion of the article between the break lines forms no part of the claimed design.

1 Claim, 14 Drawing Sheets



(56)

References Cited

U.S. PATENT DOCUMENTS

D183,555 S * 9/1958 Close D6/709
 4,117,644 A 10/1978 Weinar
 D264,423 S 5/1982 Naylor
 4,448,007 A 5/1984 Adams
 4,831,808 A 5/1989 Wynar
 D334,678 S * 4/1993 Hinden D6/656.13
 D341,538 S 11/1993 Paul
 D366,065 S 1/1996 Lockard
 5,735,562 A 4/1998 Borg
 D517,355 S * 3/2006 Strong D6/709.21
 D527,930 S * 9/2006 Aslle D6/708
 D529,734 S * 10/2006 Astle D6/709.21
 D560,085 S * 1/2008 Glass D6/656.17
 7,823,943 B2 11/2010 Borg
 D644,046 S * 8/2011 Cronk D6/656.17
 D677,505 S 3/2013 Walton
 D692,960 S 11/2013 Robins et al.
 D696,543 S * 12/2013 Shyu D6/709.21

8,720,129 B2 5/2014 Sias et al.
 9,095,209 B2 8/2015 Mirth et al.
 D760,066 S 6/2016 Krenek
 D815,867 S * 4/2018 Herring D6/709
 D833,262 S 11/2018 Royak
 D841,379 S * 2/2019 Jacoby D6/691.7
 2002/0148394 A1 * 10/2002 Strong A47B 9/14
 108/147.21

OTHER PUBLICATIONS

Coupling system for couch pieces, publicly available, on information and belief, at least as early as Feb. 2017 (3 pages, 11 photos).
 Wayfair Tables, publicly available and on sale, at least as early as Dec. 11, 2017 (2 pages).
 Wikipedia article entitled "Lazy Susan" dated Dec. 15, 2017 (4 pages).
 U.S. Appl. No. 29/630,492, dated Jan. 8, 2019, Office Action.
 U.S. Appl. No. 29/630,500, dated Mar. 15, 2019, Office Action.

* cited by examiner

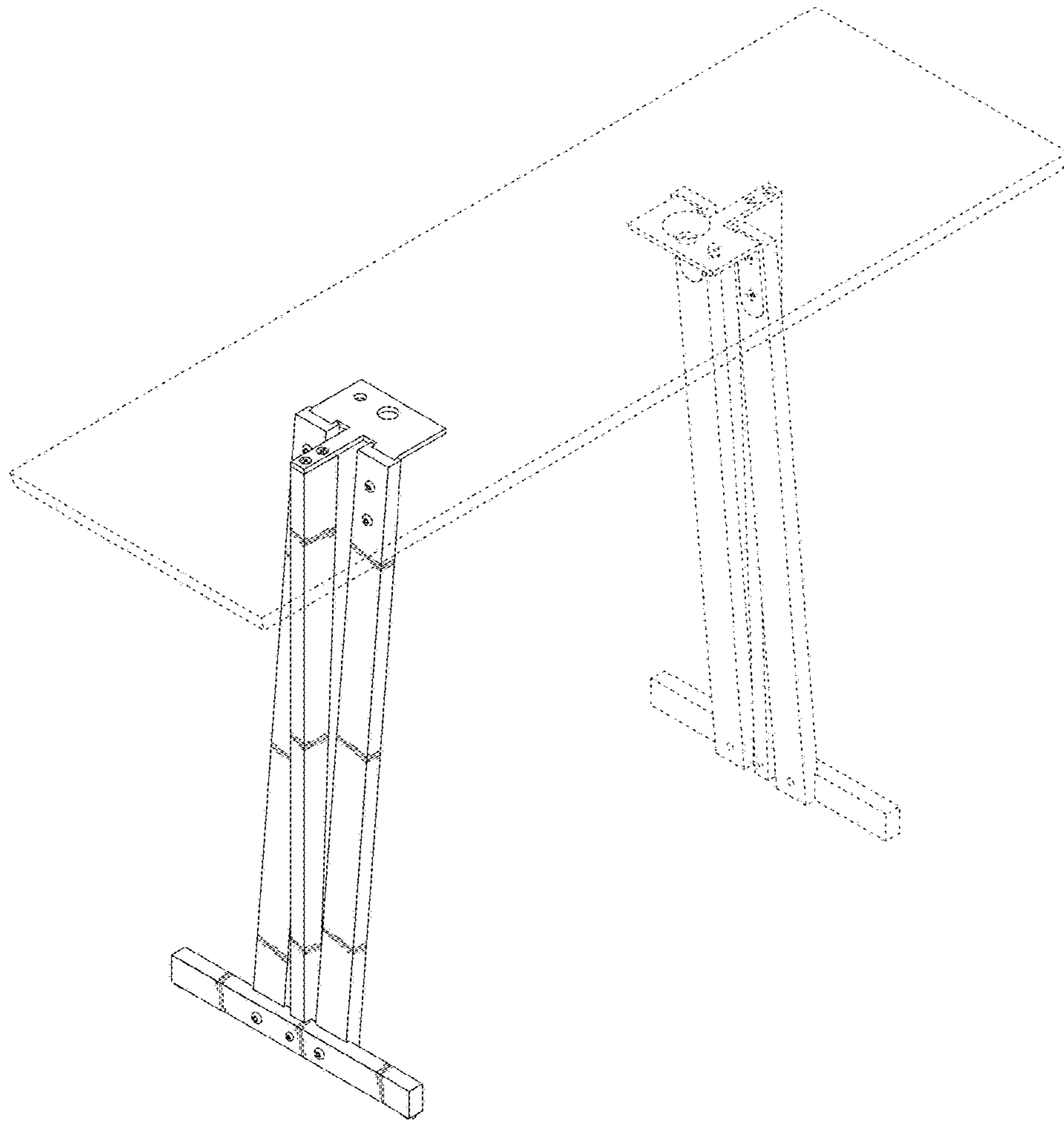


FIG. 1

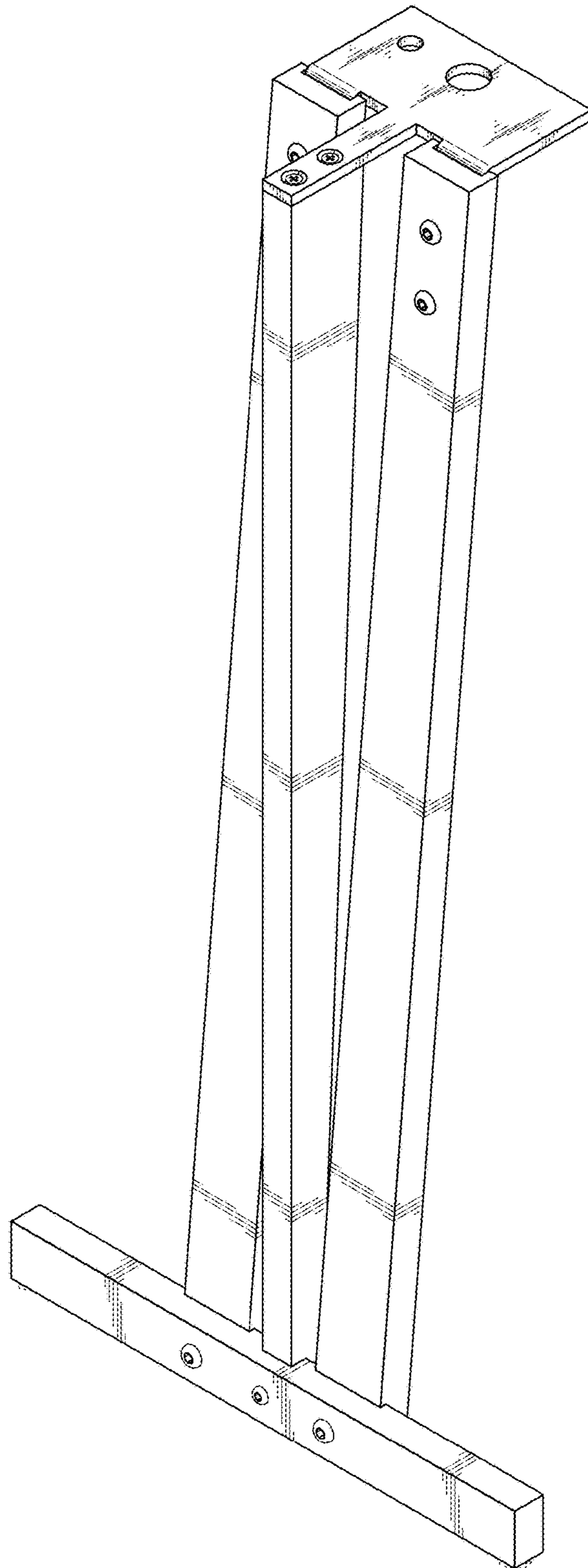


FIG. 2

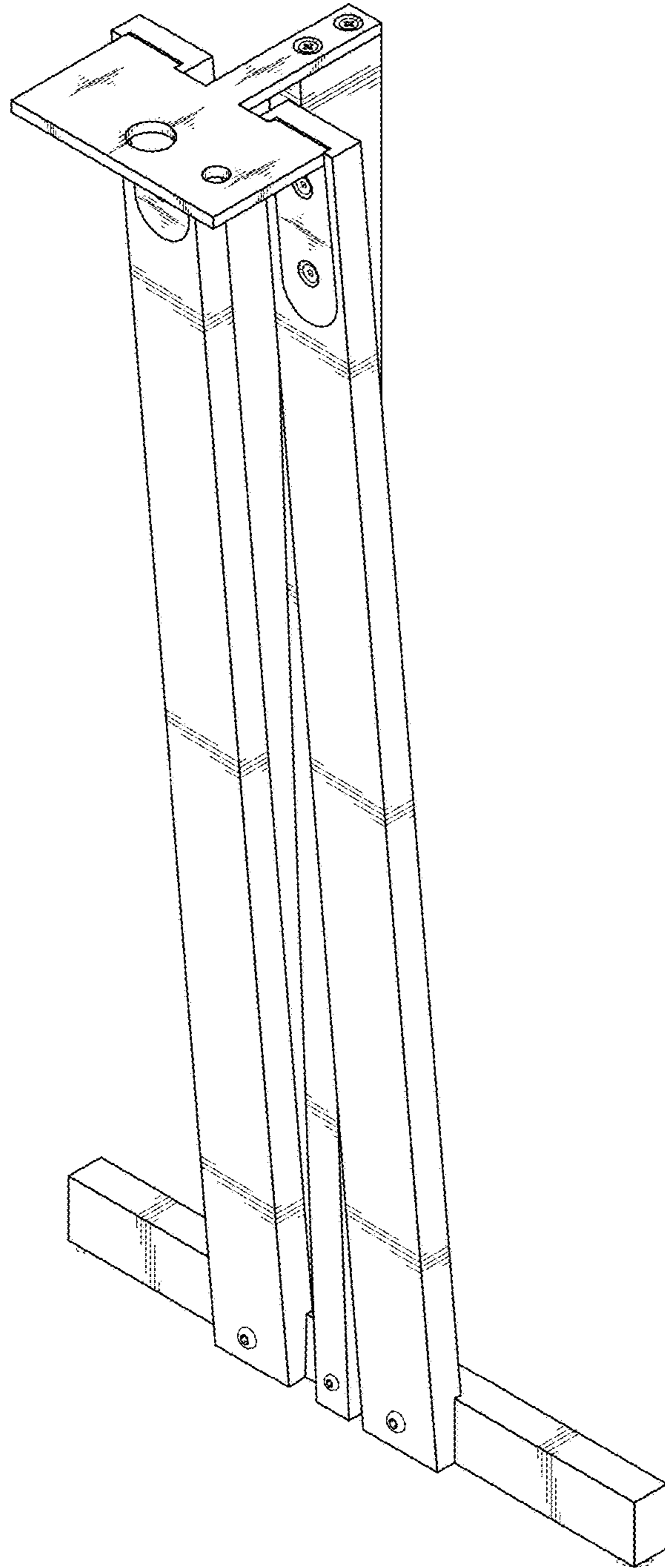


FIG. 3

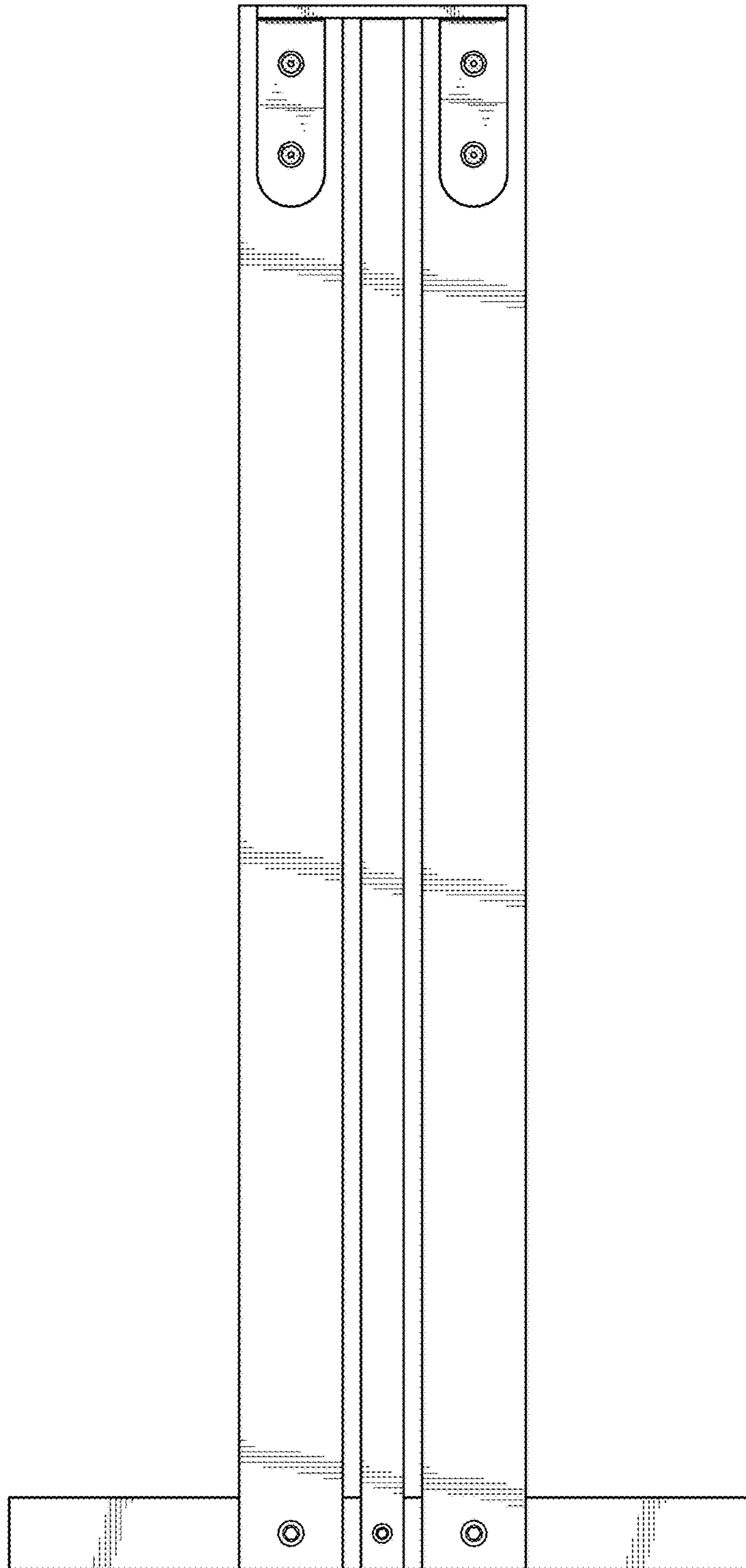


FIG. 4

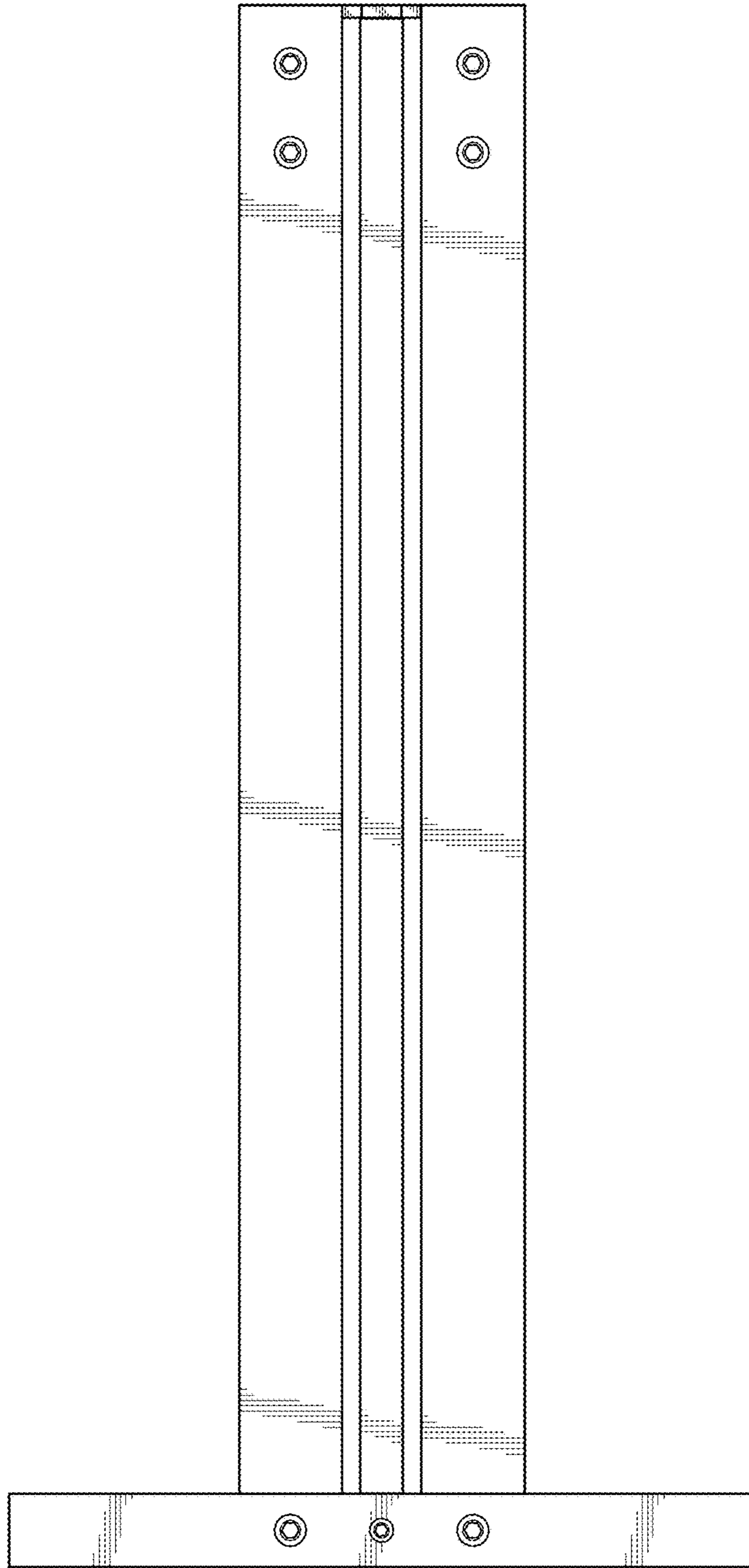


FIG. 5

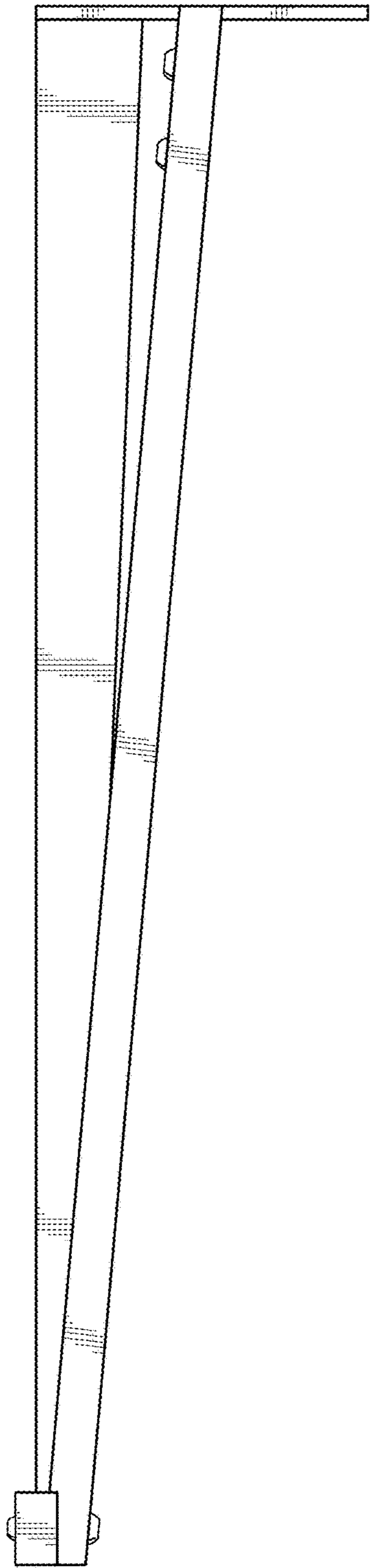


FIG. 6

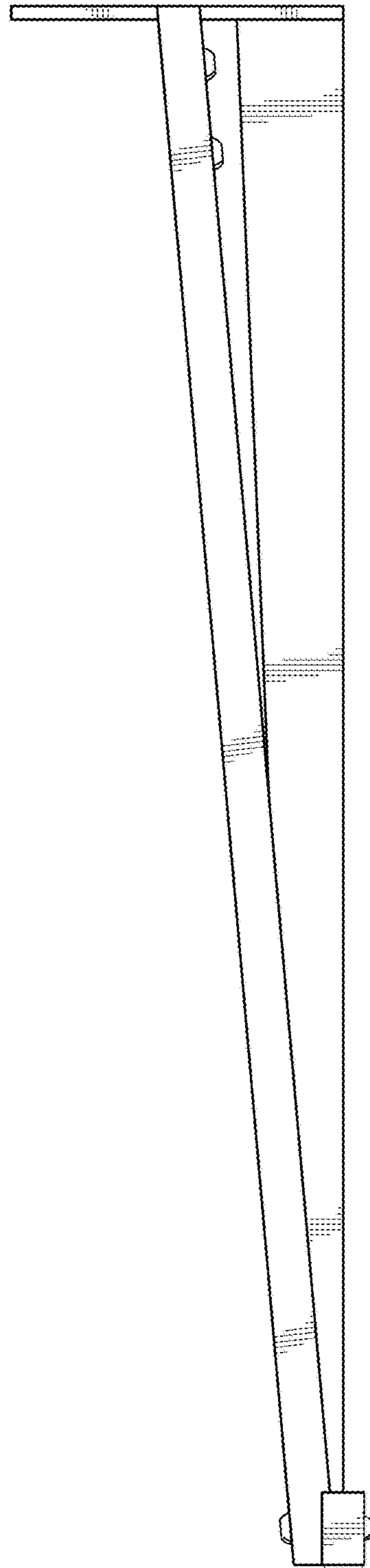


FIG. 7

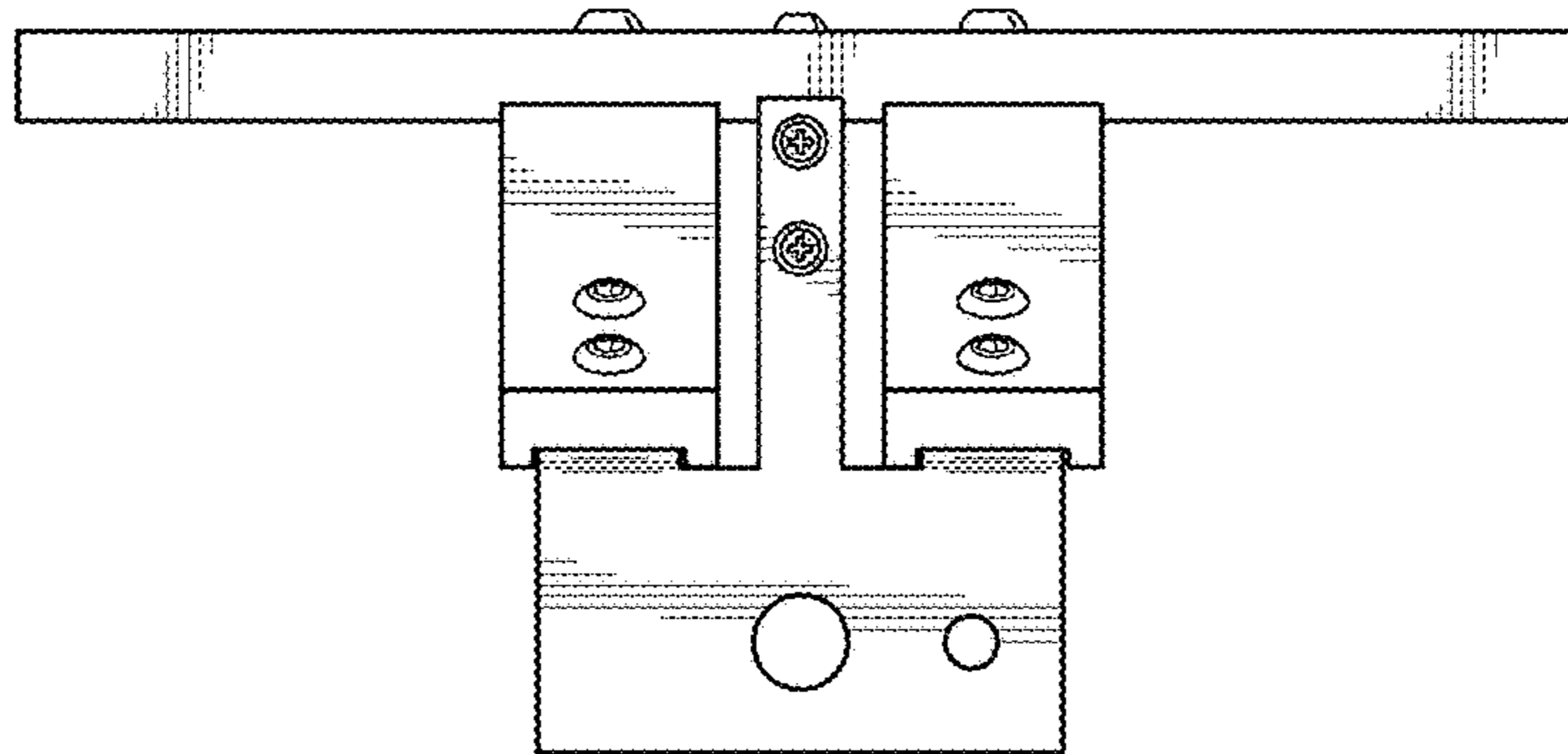


FIG. 8

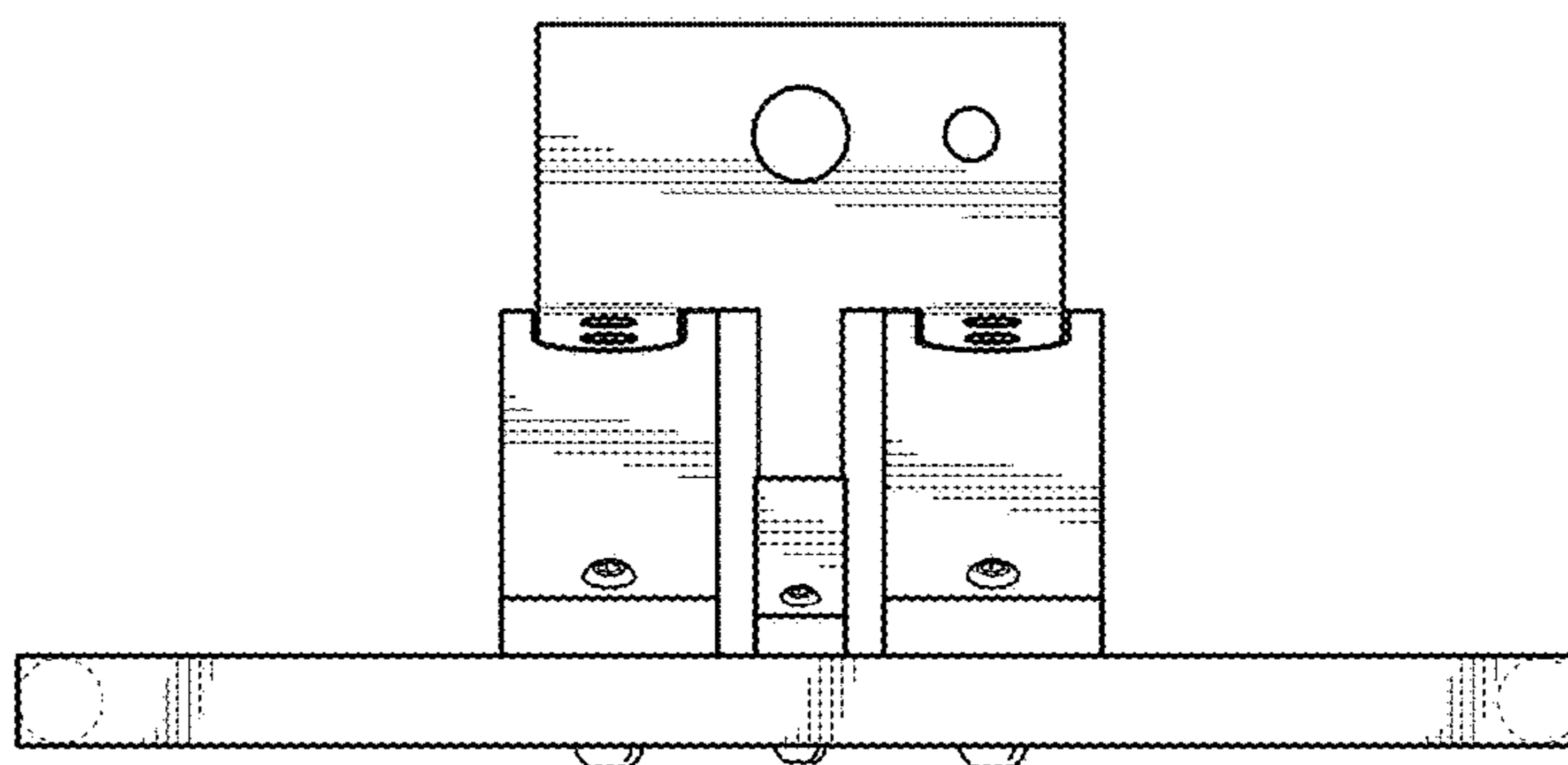


FIG. 9

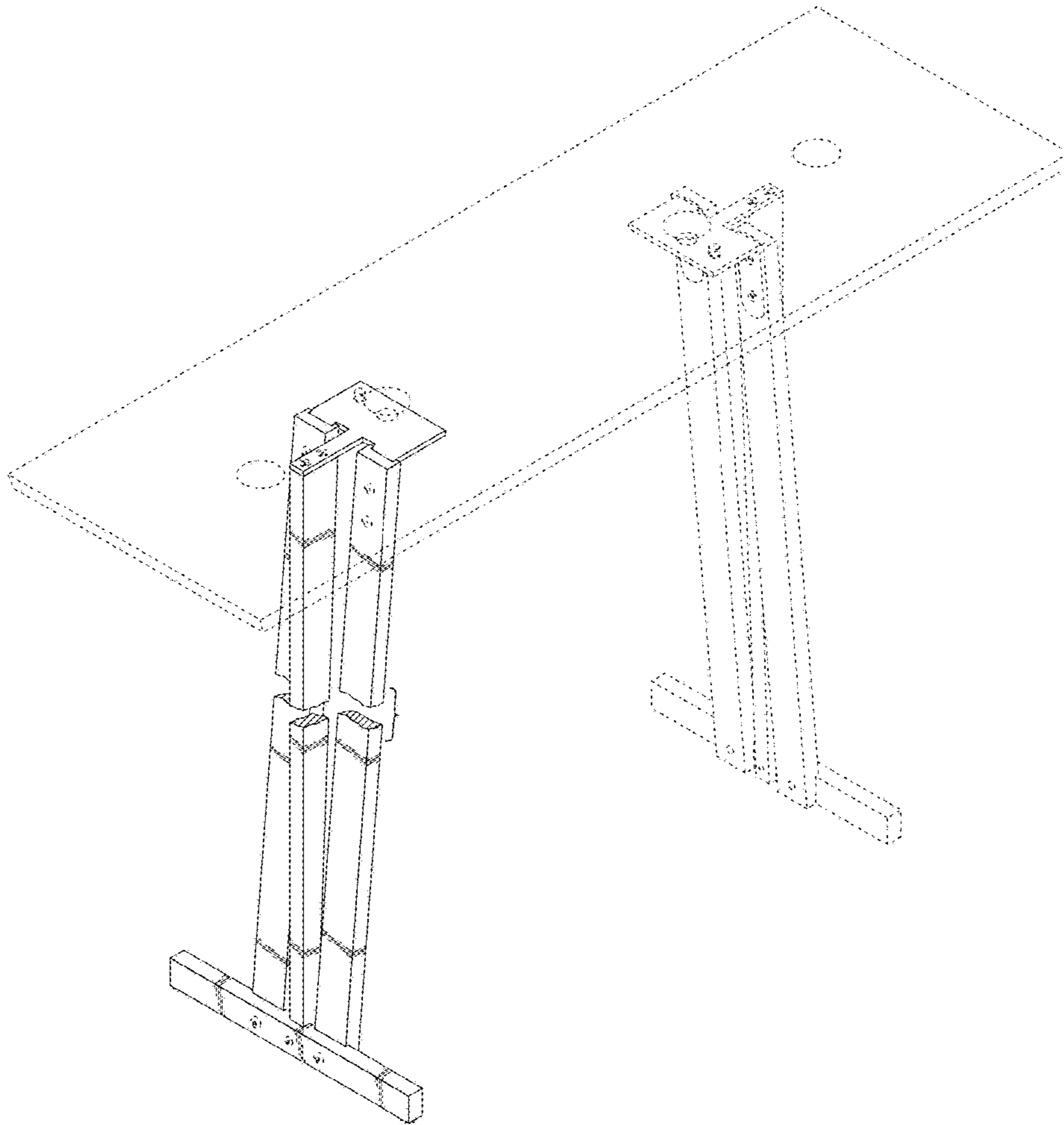


FIG. 10

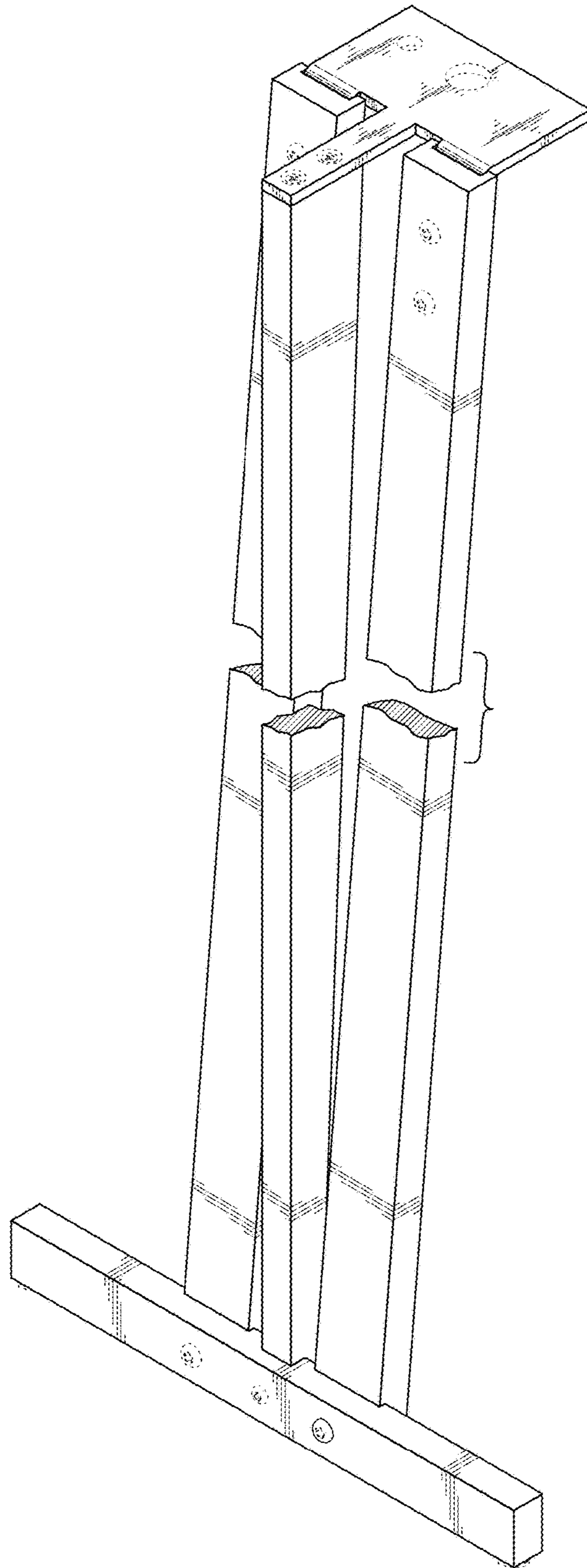


FIG. 11

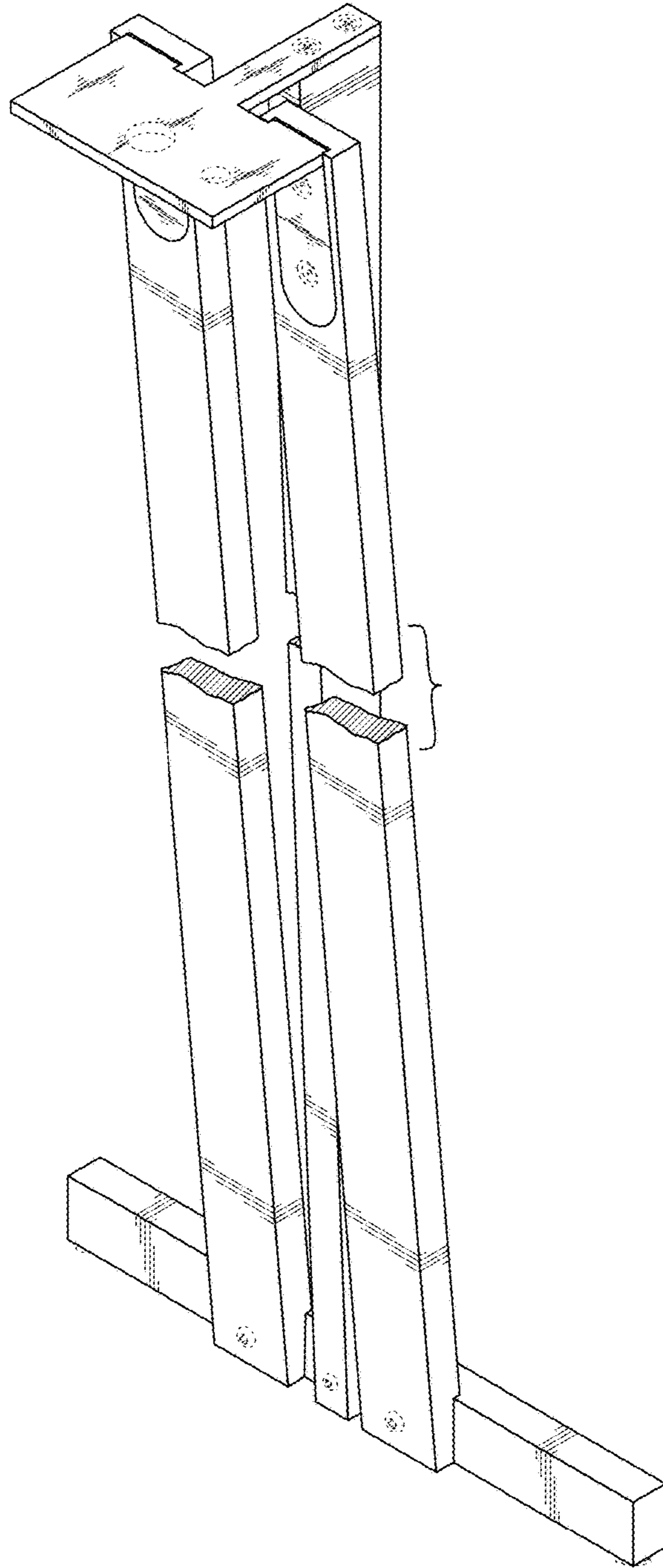


FIG. 12

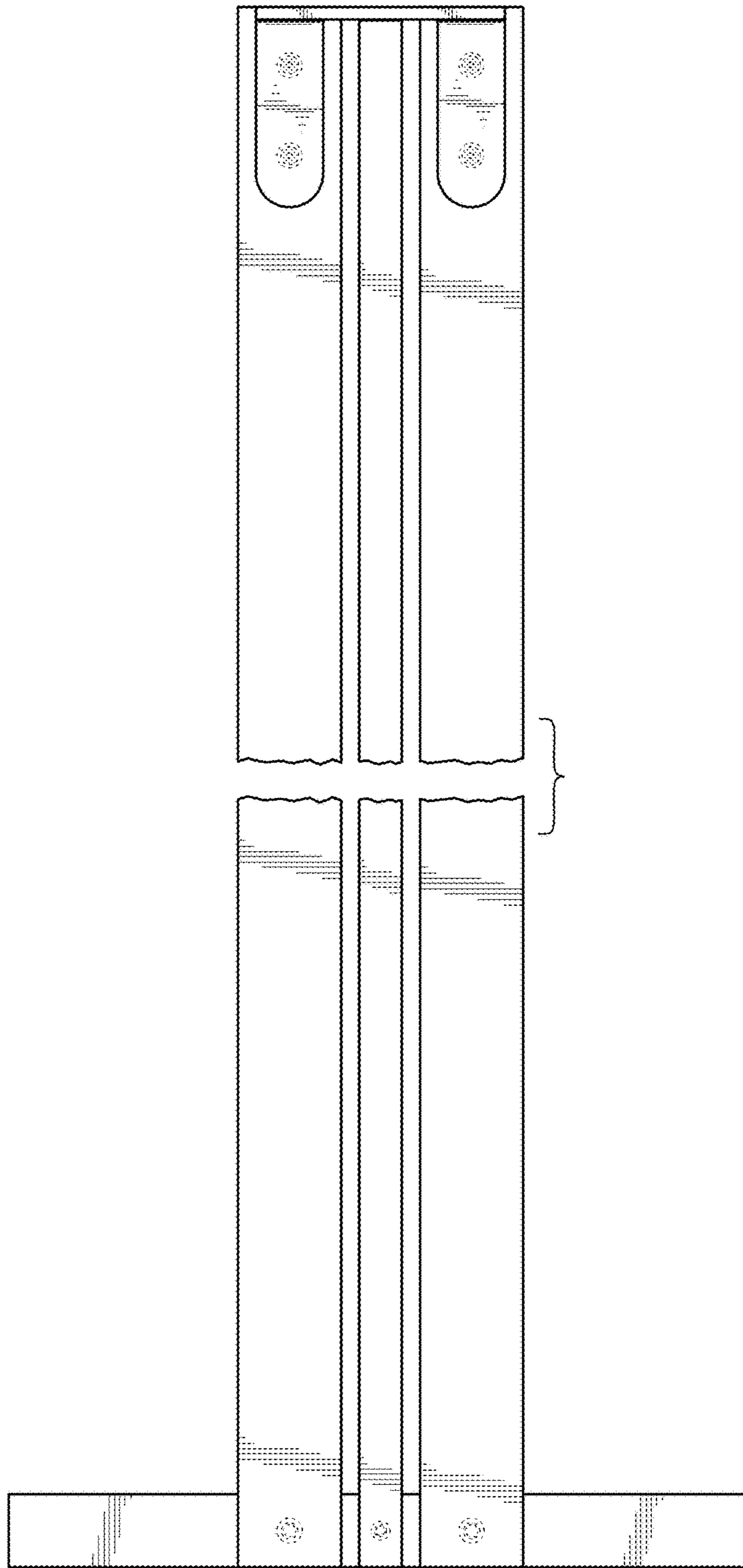


FIG. 13

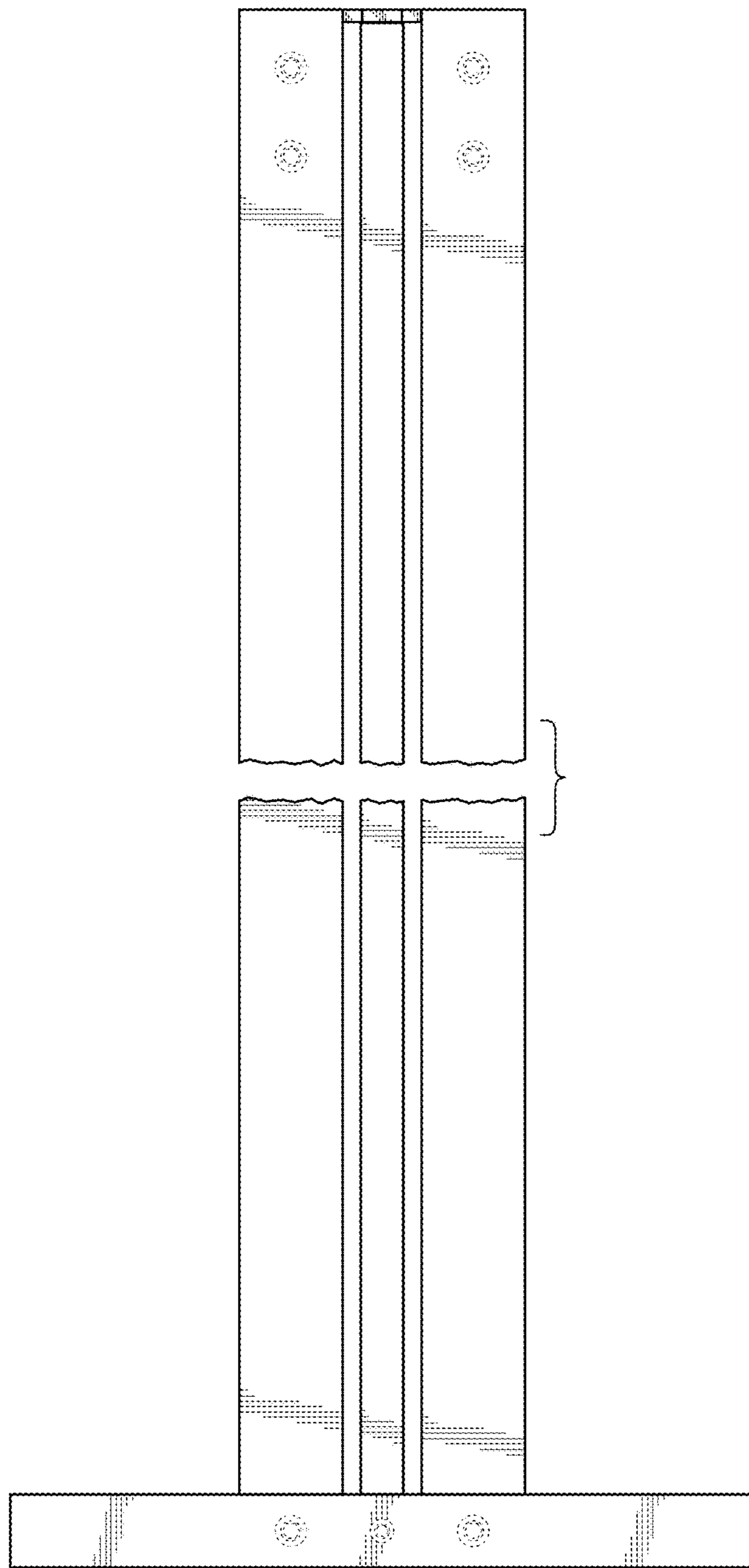


FIG. 14

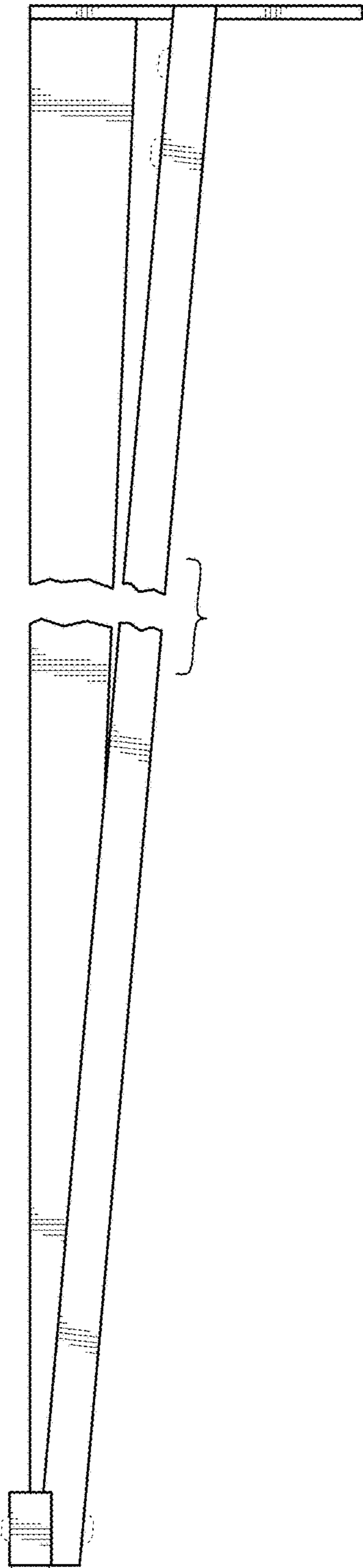


FIG. 15

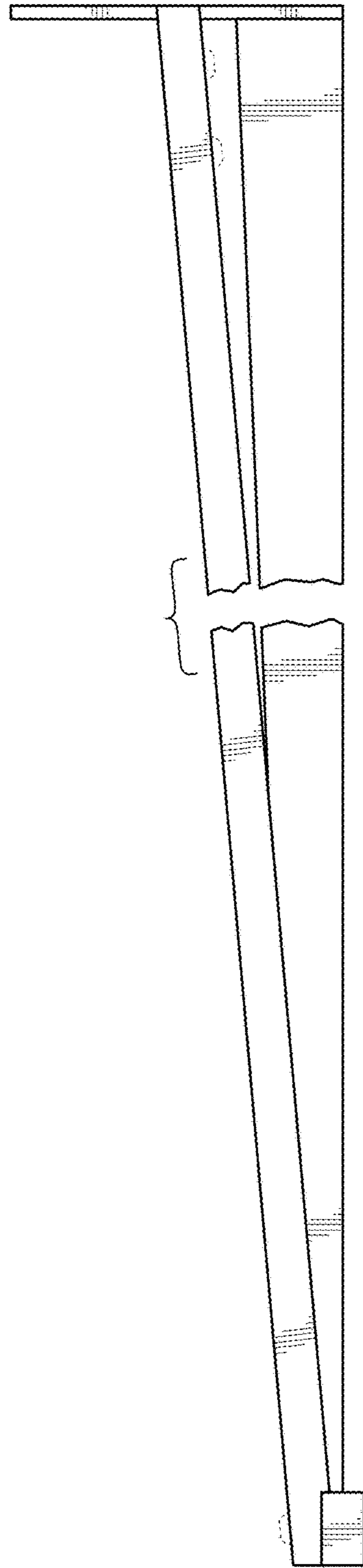


FIG. 16

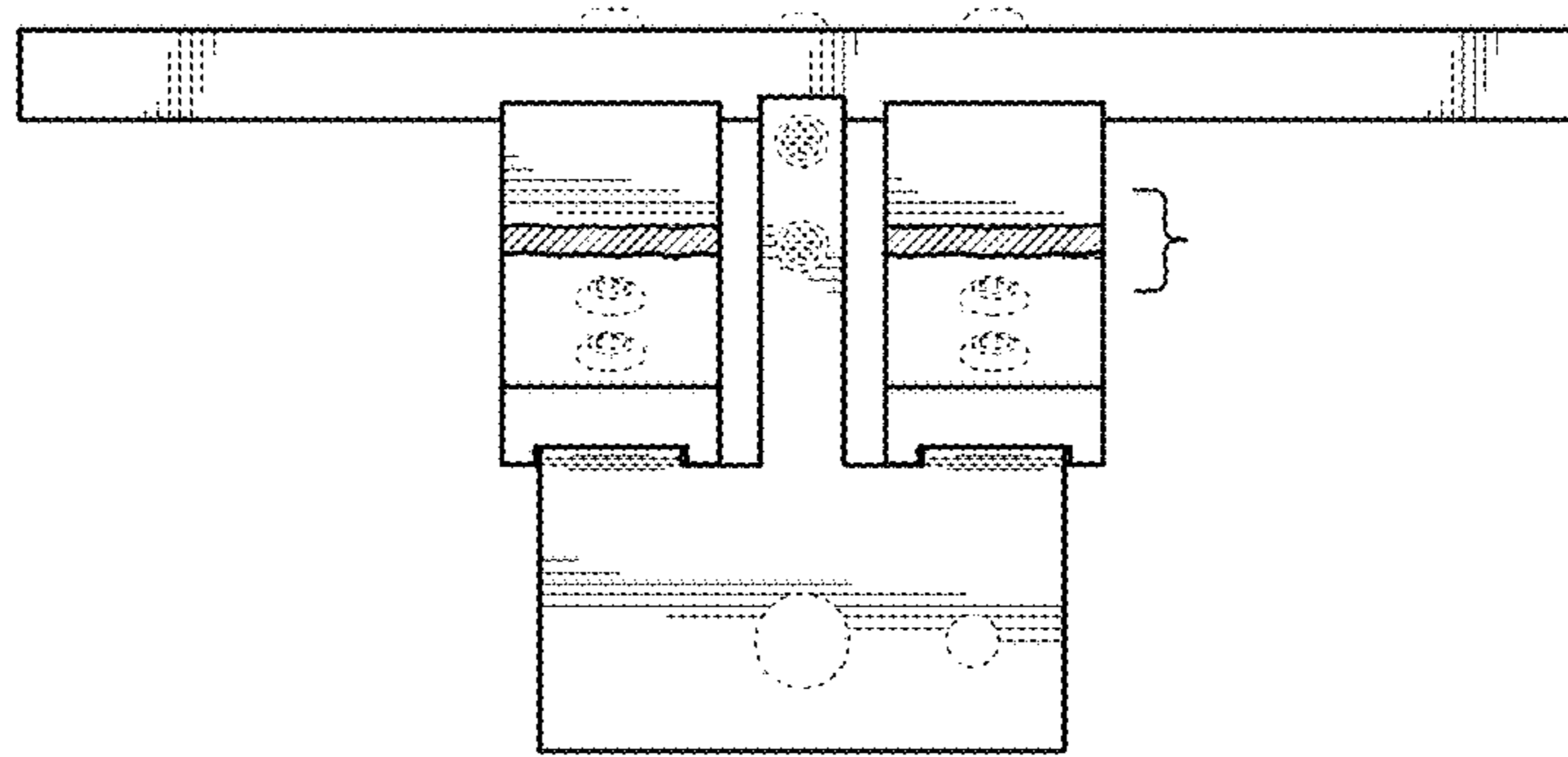


FIG. 17

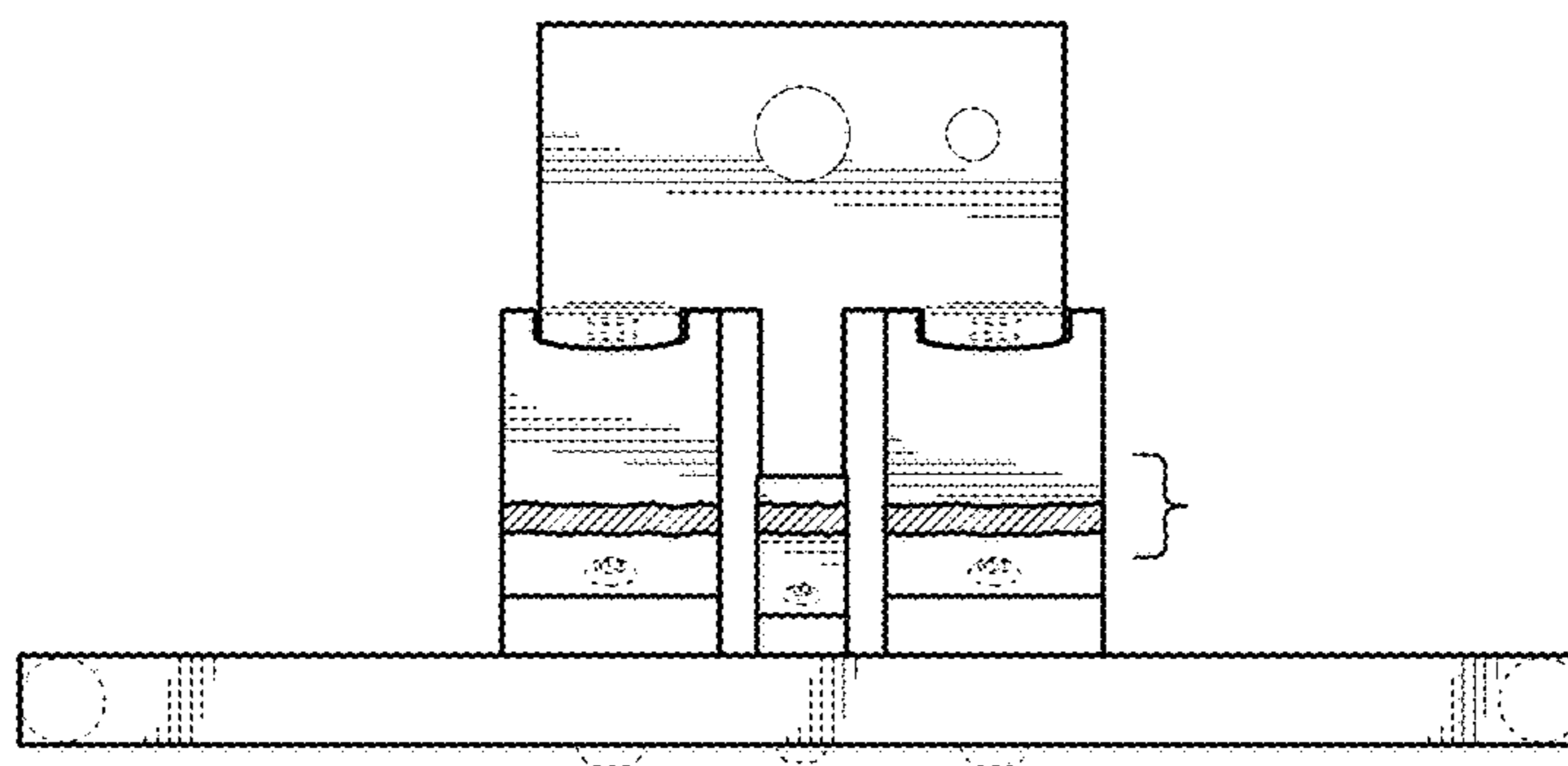


FIG. 18