

US00D862140S

(12) **United States Design Patent** (10) **Patent No.:** **US D862,140 S**
Smrstick (45) **Date of Patent:** **** Oct. 8, 2019**

(54) **TABLE**

(71) Applicant: **Blu Dot Design & Manufacturing, Inc.**, Minneapolis, MN (US)
(72) Inventor: **Scott Smrstick**, Minneapolis, MN (US)
(73) Assignee: **Blu Dot Design & Manufacturing, Inc.**, Minneapolis, MN (US)
(**) Term: **15 Years**

(21) Appl. No.: **29/624,915**

(22) Filed: **Nov. 6, 2017**

(51) **LOC (12) Cl.** **06-03**

(52) **U.S. Cl.**
USPC **D6/692.3**

(58) **Field of Classification Search**
USPC D6/349, 641, 685-687, 692, 692.1-692.6
CPC .. A47B 7/00; A47B 7/02; A47B 13/00; A47B 13/003; A47B 13/02; A47B 13/023; A47B 13/04; A47B 13/06; A47B 13/08; A47B 13/12; A47B 21/00; A47B 2200/0001; A47B 2200/0011

See application file for complete search history.

(56) **References Cited**

U.S. PATENT DOCUMENTS

2,551,766 A * 5/1951 Service A47B 69/00
108/11
5,289,783 A * 3/1994 Karl A47B 7/00
83/313
D415,634 S * 10/1999 Lin D6/692.3
D501,742 S * 2/2005 Collins, III D6/692.3
D530,109 S * 10/2006 Barrett D6/352
D553,396 S * 10/2007 Vargo A47B 7/00
D6/692.4
D590,201 S * 4/2009 Zagar D7/335
D721,526 S * 1/2015 Bosman D6/692.3
D782,856 S * 4/2017 Broen D6/692.3
D829,014 S * 9/2018 Handler A47B 69/00
D6/352
D833,190 S * 11/2018 Handler D6/692.3

(Continued)

OTHER PUBLICATIONS

Blu Dot Catalog No. 16, Designed in Minneapolis, Minnesota, Copyright 2015, 44 pages.
(Continued)

Primary Examiner — Mary Ann Calabrese
(74) *Attorney, Agent, or Firm* — Fredrikson & Byron, P.A.

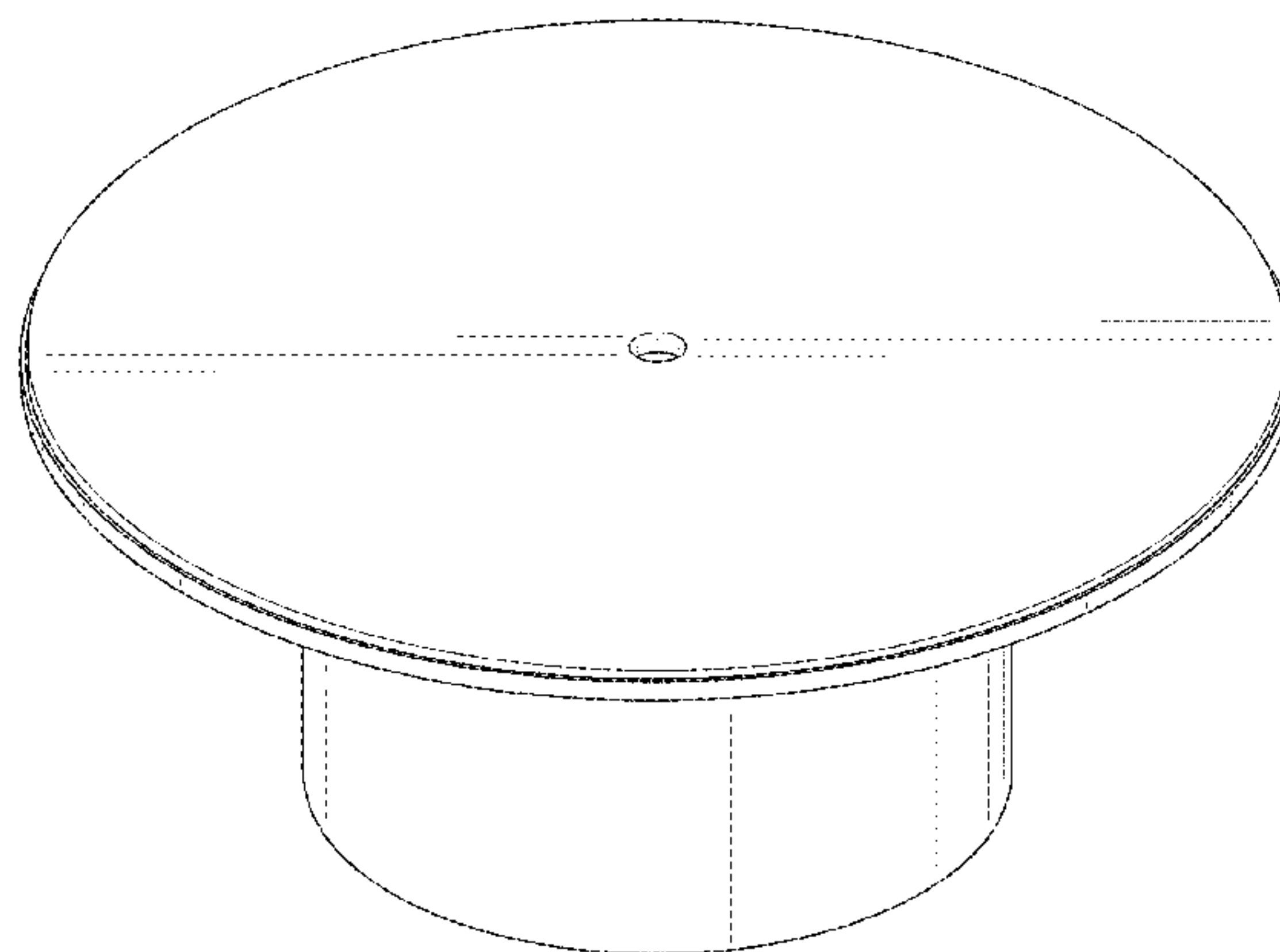
(57) **CLAIM**

I claim the ornamental design for a table, as shown and described.

DESCRIPTION

FIG. 1 is an upper perspective view of a table of Applicant's design;
FIG. 2 is a front elevational view thereof, the rear elevational view, the right-side elevational view, and the left-side elevational view being mirror images thereof;
FIG. 3 is a top plan view thereof;
FIG. 4 is a bottom plan view thereof;
FIG. 5 is an upper perspective view of a first alternate embodiment of a table of Applicant's design;
FIG. 6 is a front elevational view thereof, the rear elevational view, the right-side elevational view, and the left-side elevational view being mirror images thereof;
FIG. 7 is a top plan view thereof;
FIG. 8 is a bottom plan view thereof;
FIG. 9 is an upper perspective view of a second alternate embodiment of a table of Applicant's design;
FIG. 10 is a front elevational view thereof, the rear elevational view, the right-side elevational view, and the left-side elevational view being mirror images thereof;
FIG. 11 is a top plan view thereof; and,
FIG. 12 is a bottom plan view thereof.

1 Claim, 12 Drawing Sheets



(56)

References Cited

U.S. PATENT DOCUMENTS

D833,191 S * 11/2018 Handler D6/692.3

OTHER PUBLICATIONS

Blu Dot Catalog No. 17, Designed in Minneapolis, Minnesota,
Copyright 2015, 52 pages.

Blu Dot Catalog No. 18, Designed in Minneapolis, Minnesota,
Copyright 2015, 51 pages.

Blu Dot Catalog No. 19, Designed in Minneapolis, Minnesota,
Copyright 2016, 54 pages.

* cited by examiner

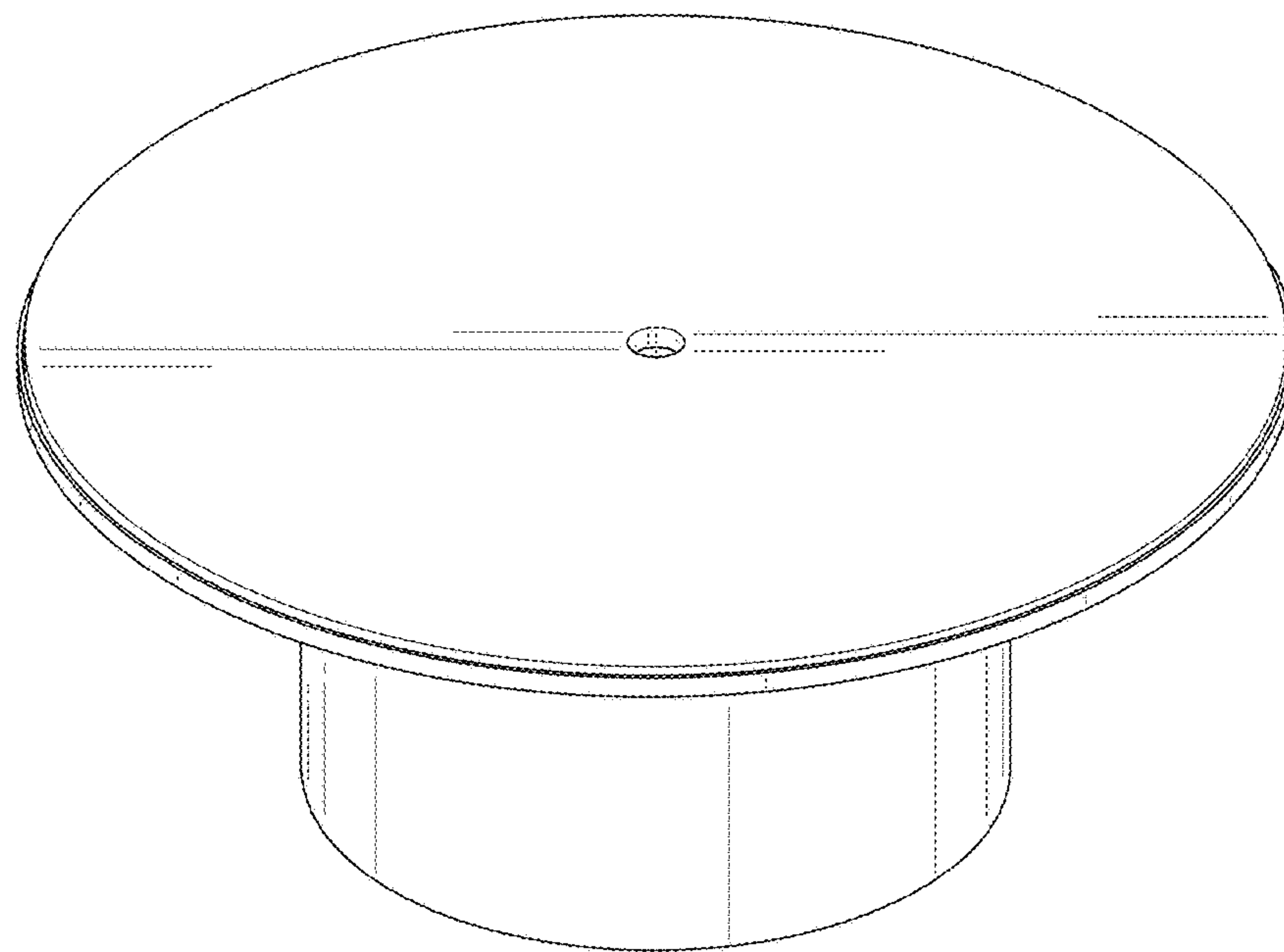


FIG. 1

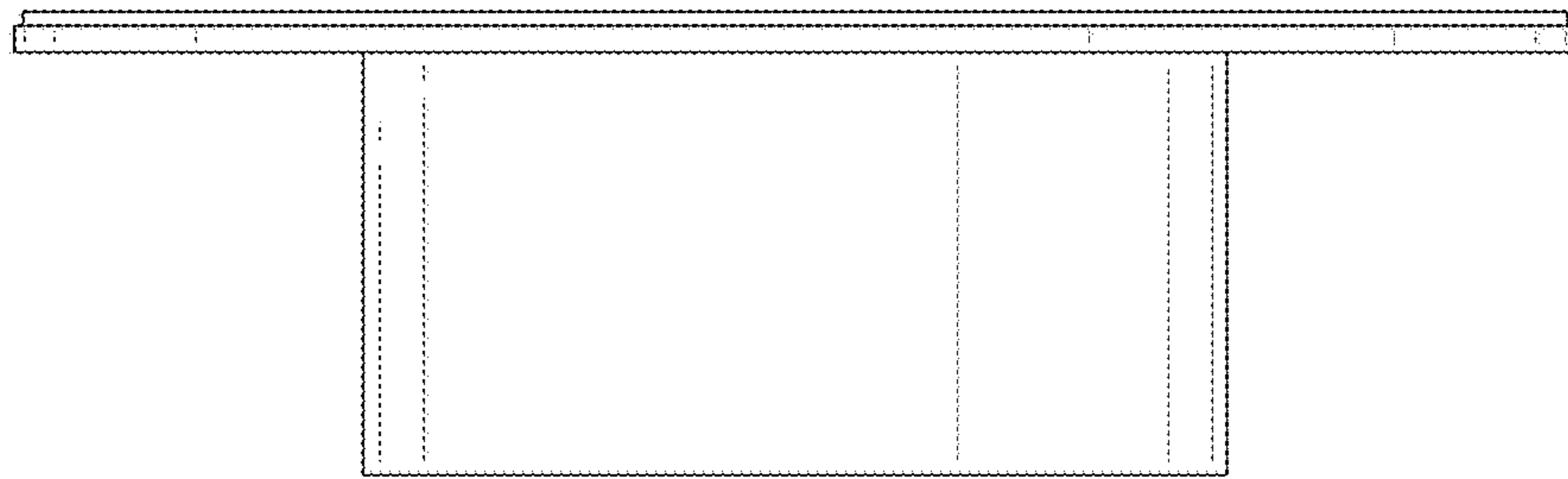


FIG. 2

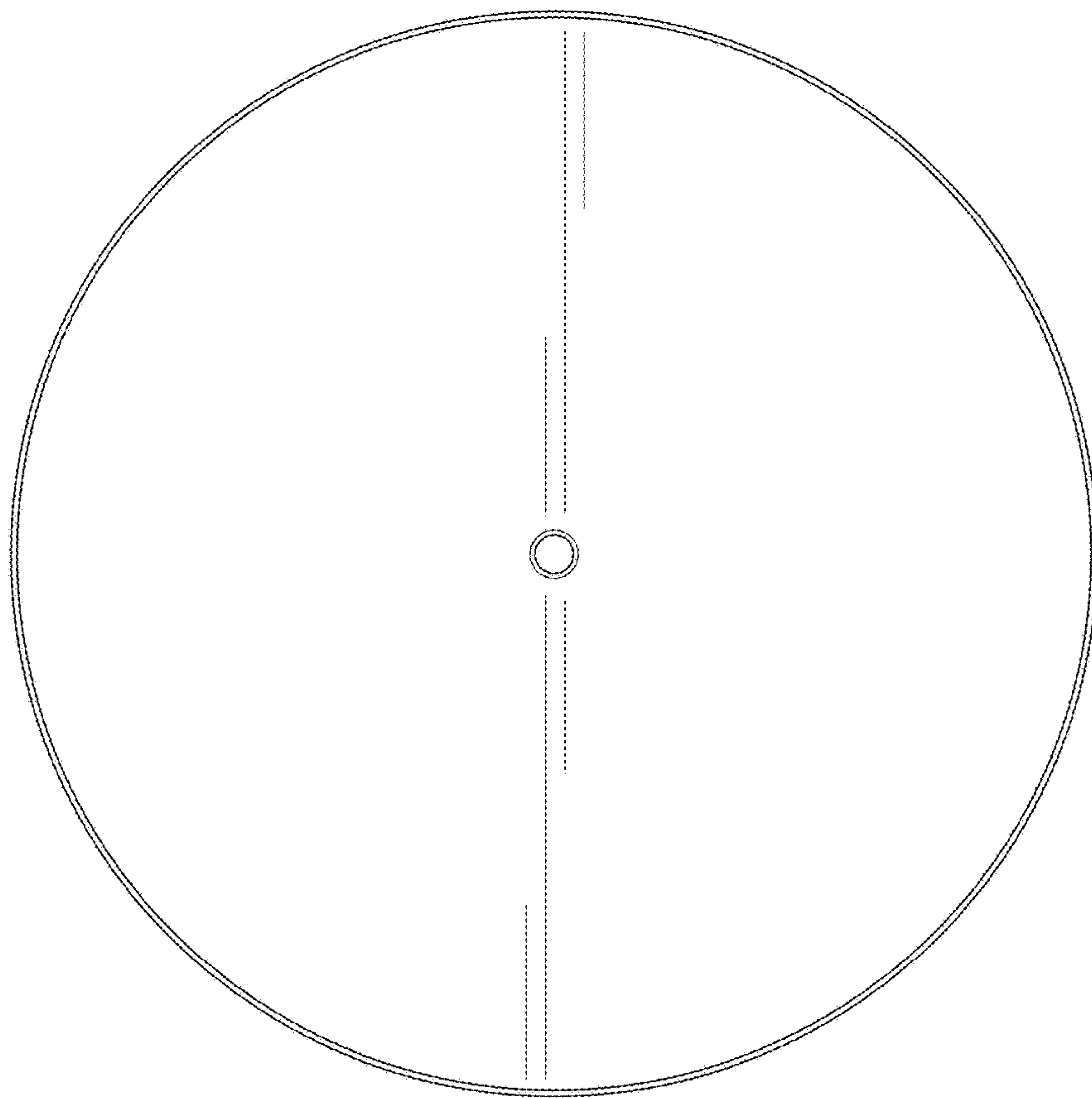


FIG. 3

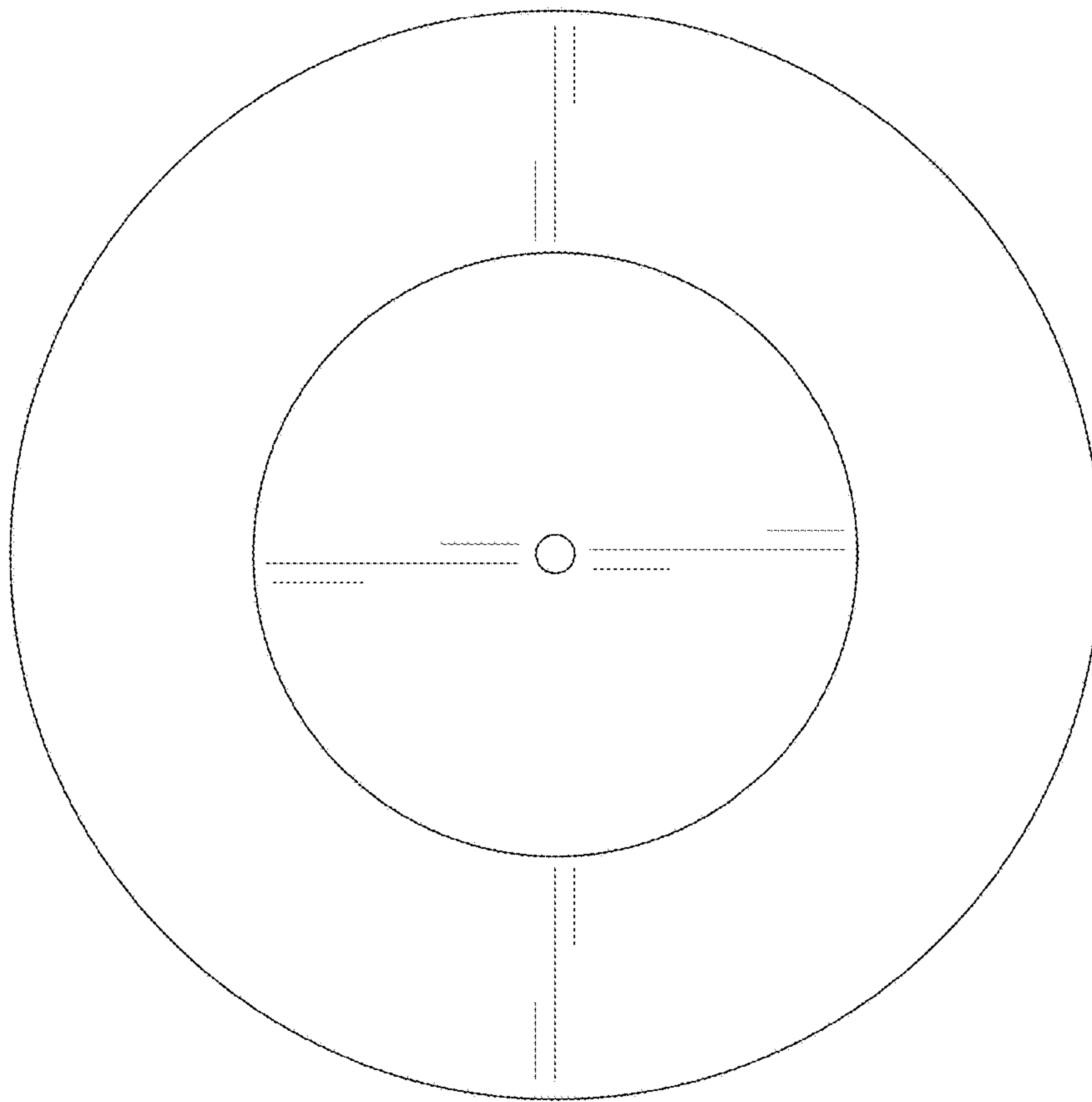


FIG. 4

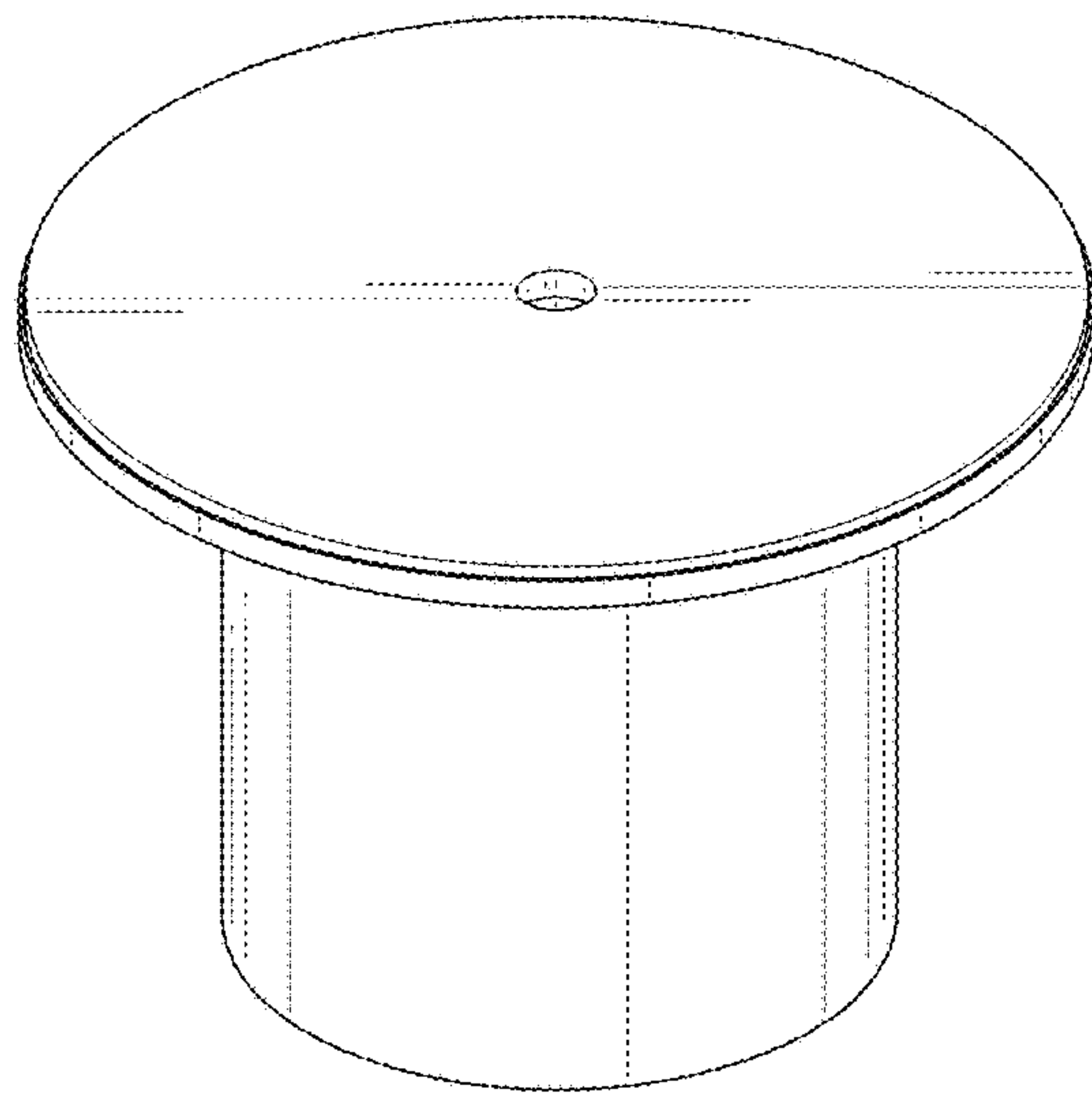


FIG. 5

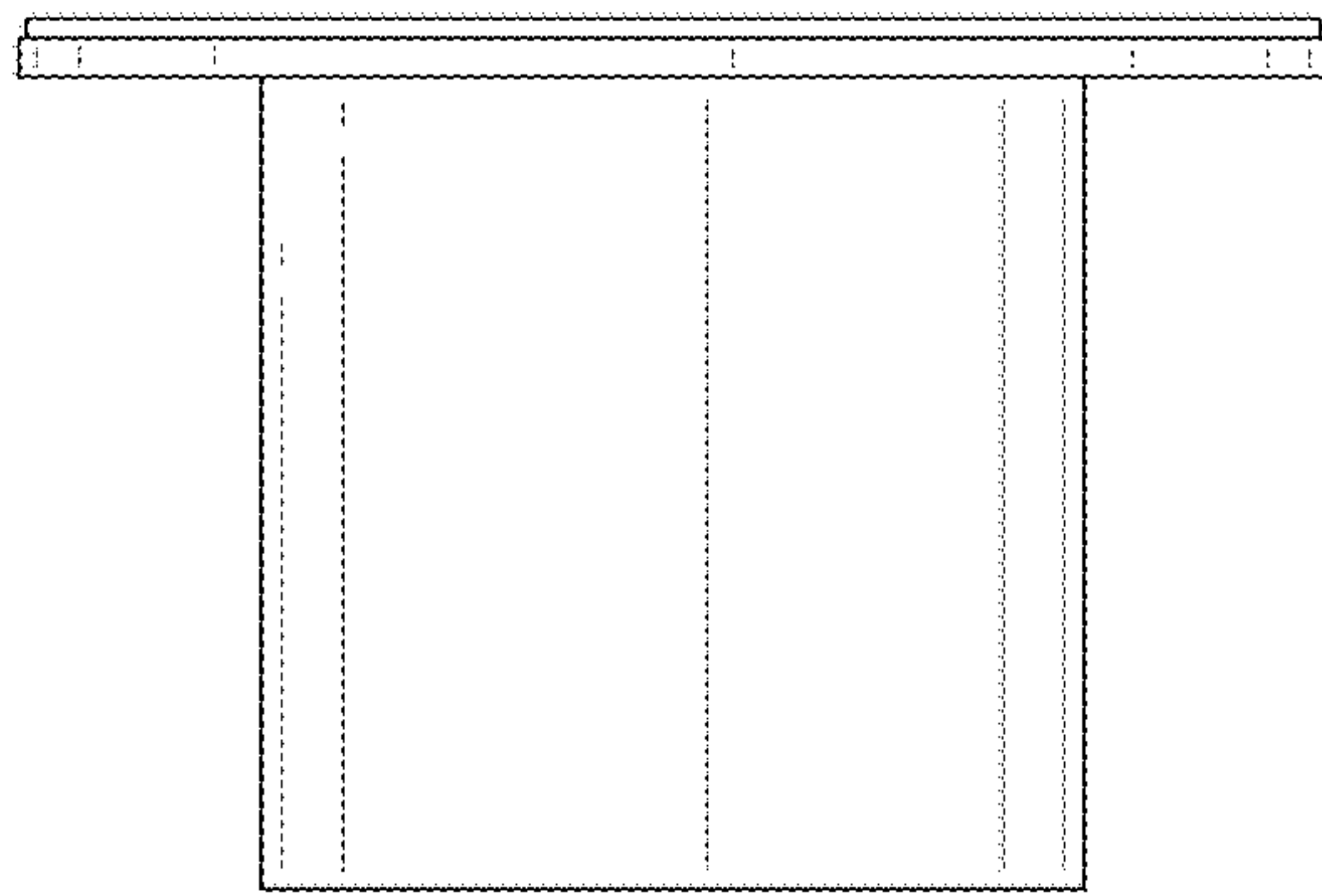


FIG. 6

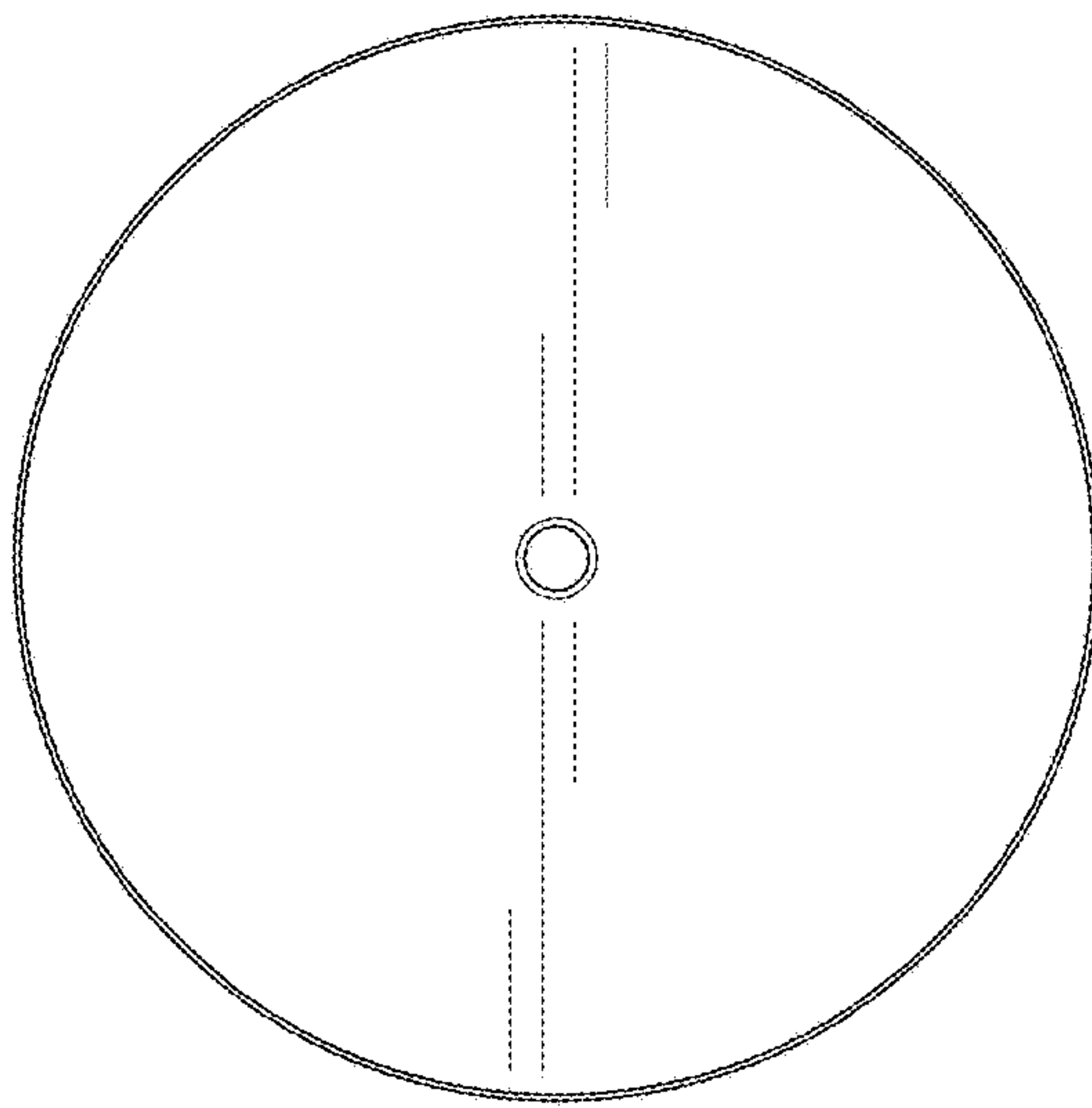


FIG. 7

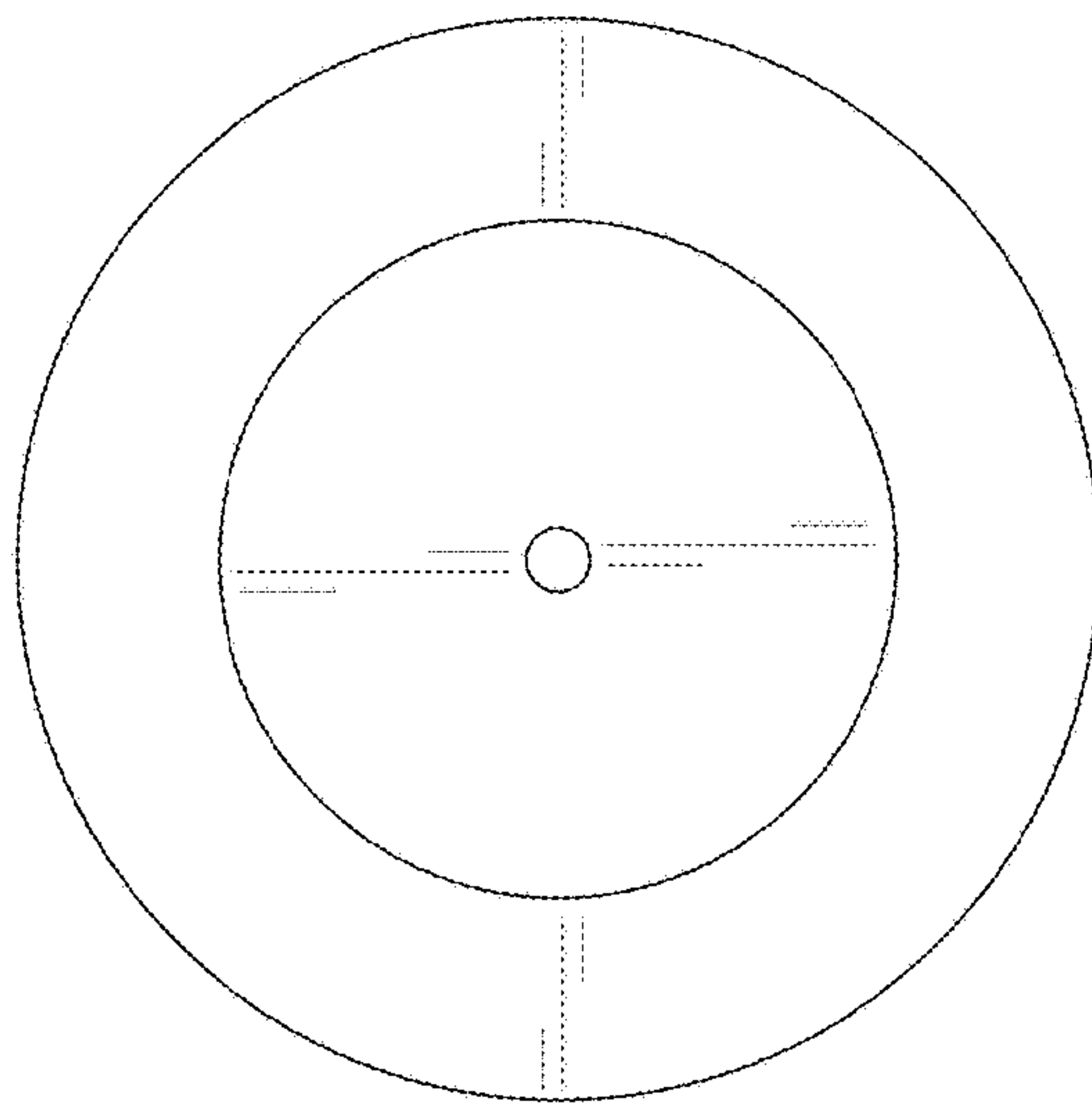


FIG. 8

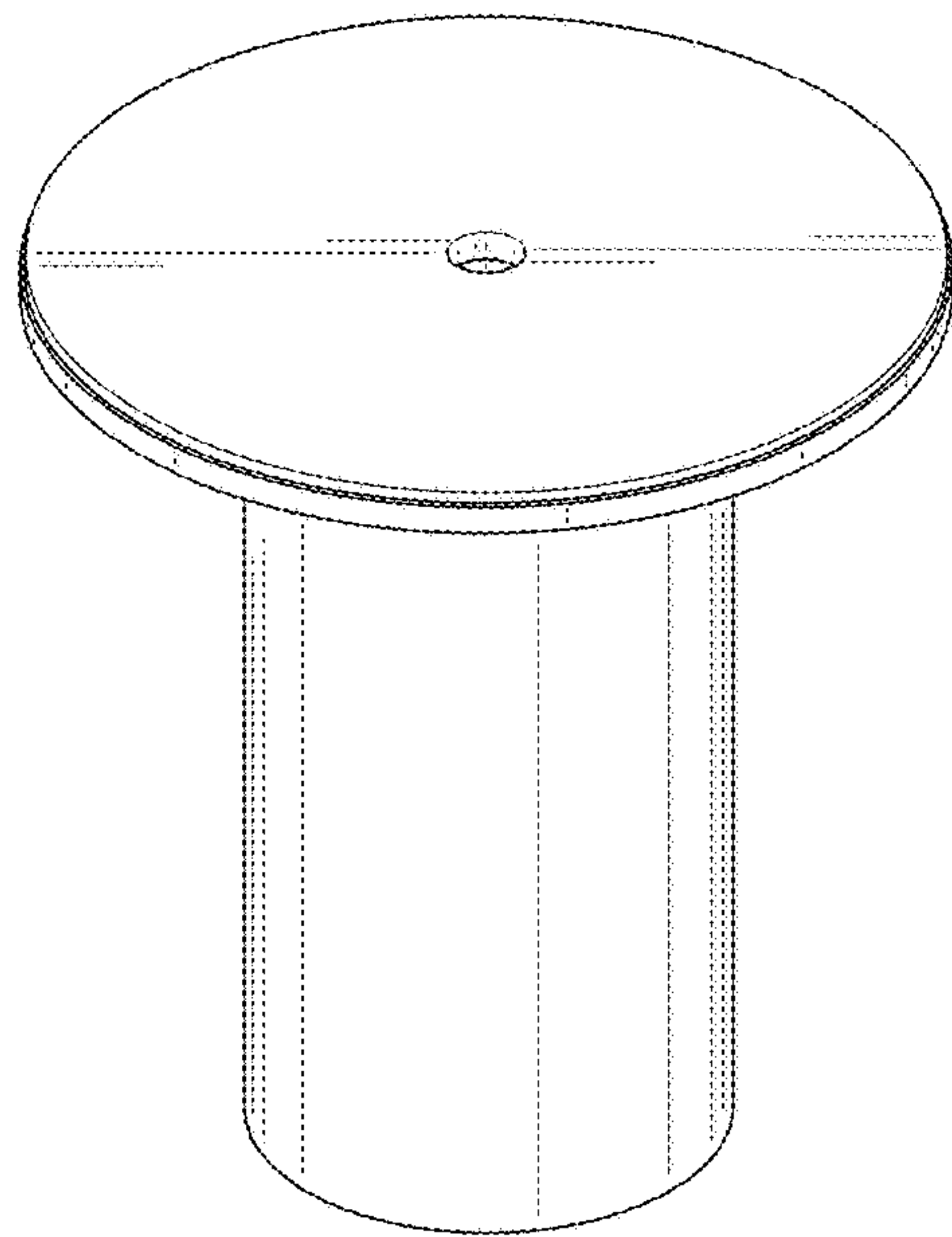


FIG. 9

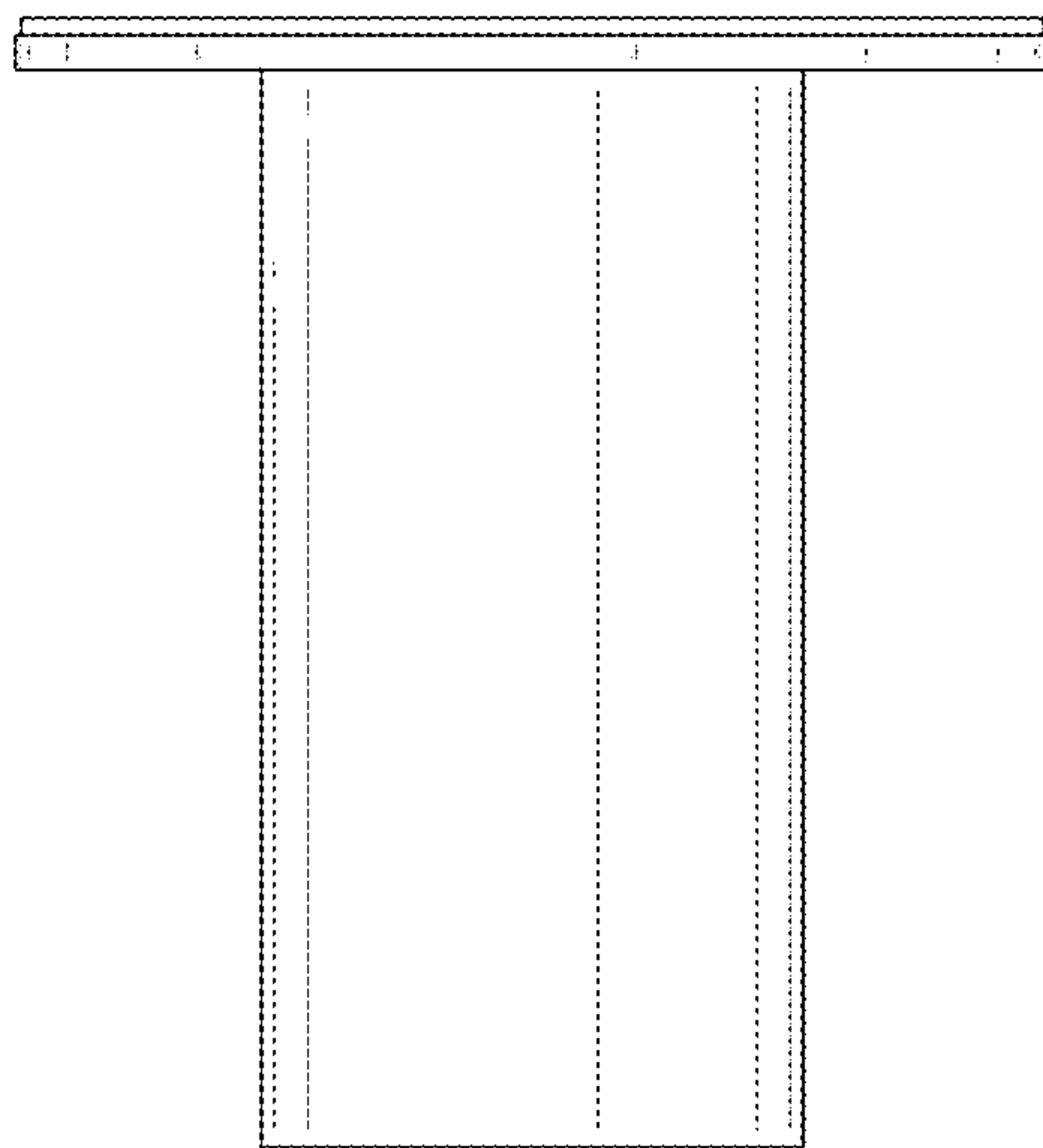


FIG. 10

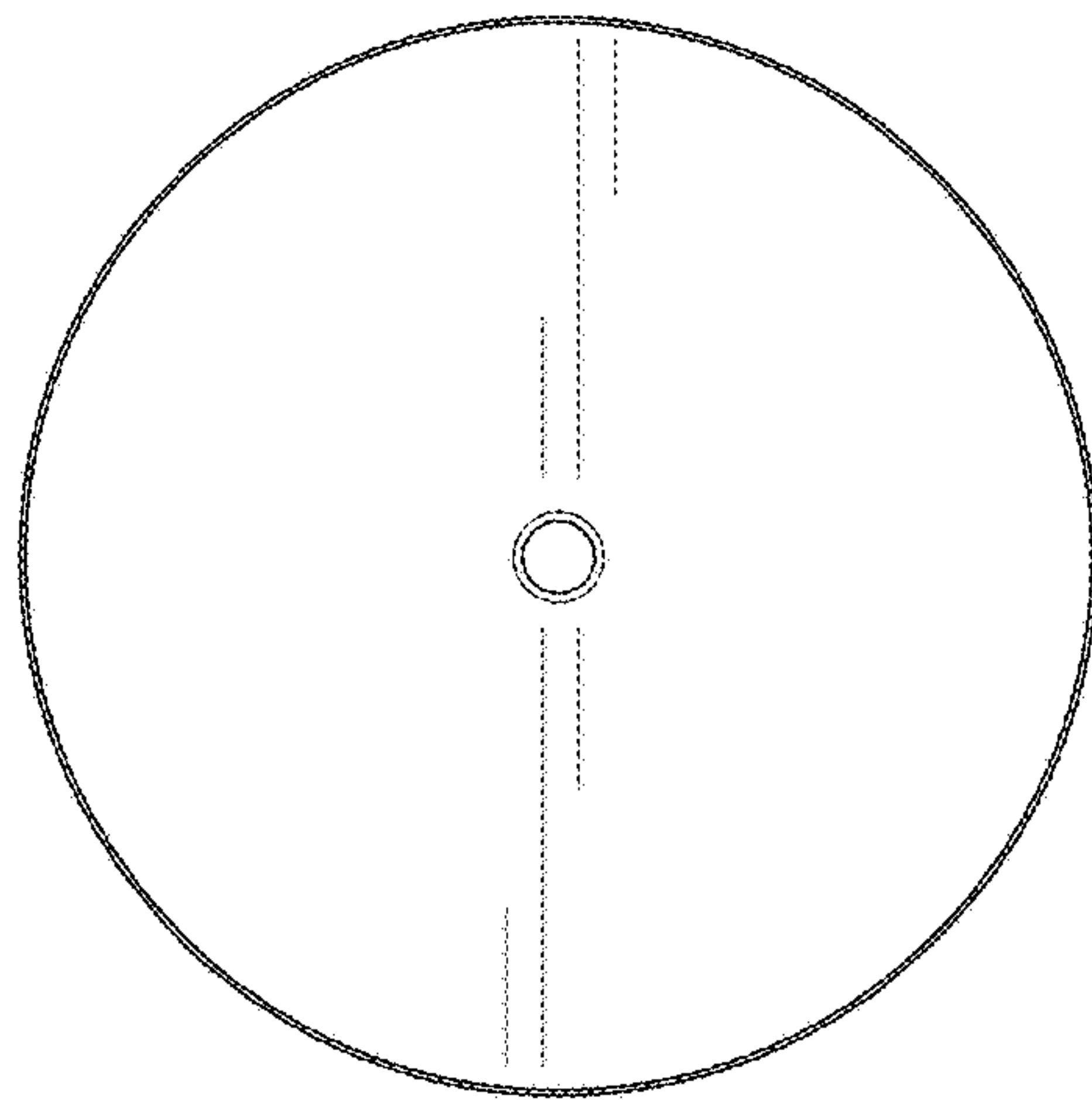


FIG. 11

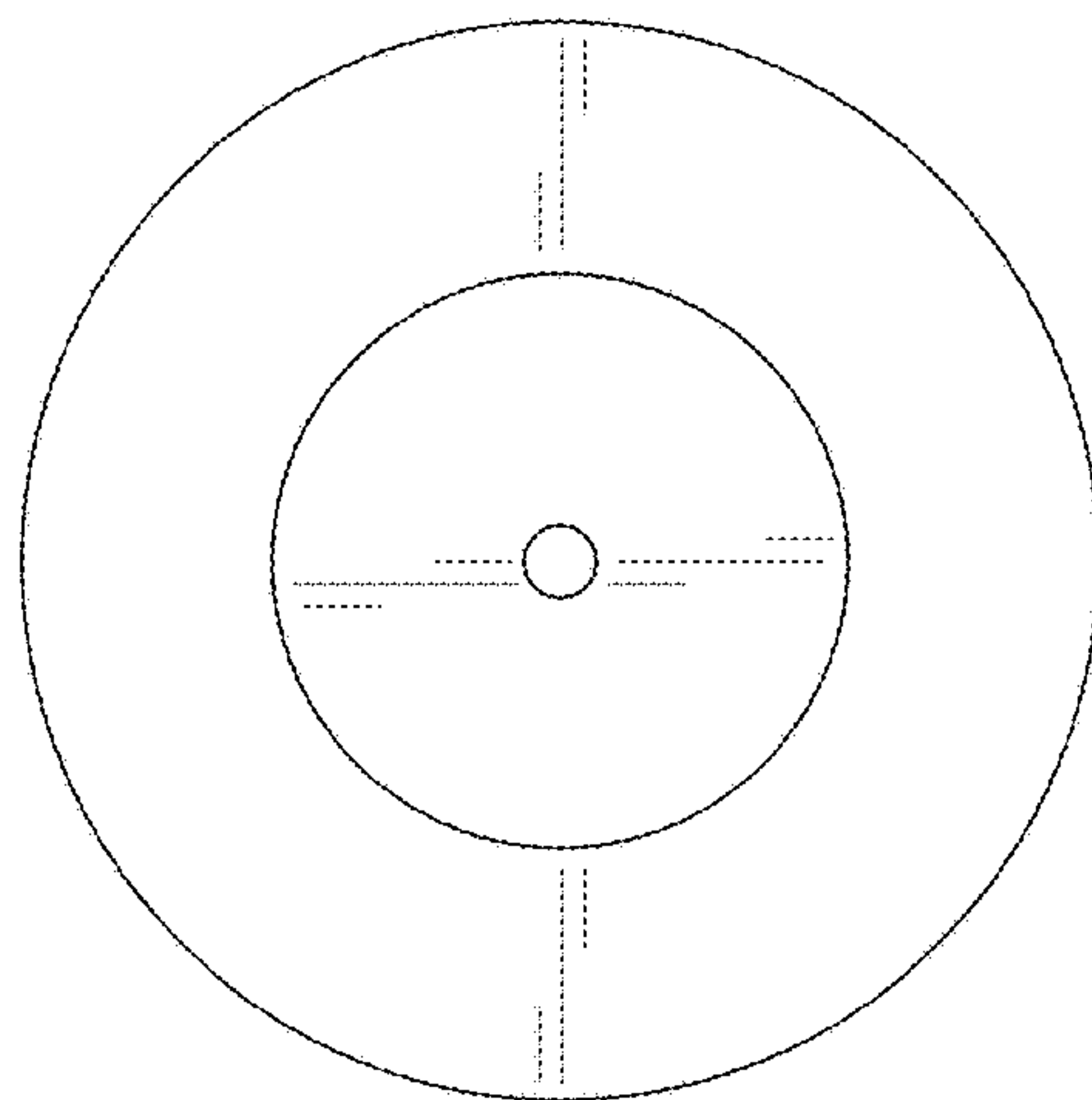


FIG. 12