



US00D862139S

(12) **United States Design Patent** (10) **Patent No.:** **US D862,139 S**
Bozhkova (45) **Date of Patent:** **** Oct. 8, 2019**

(54) **DESK**

(56) **References Cited**

(71) Applicant: **KONINKLIJKE PHILIPS N.V.**,
Eindhoven (NL)
(72) Inventor: **Hristina Bozhkova**, Eindhoven (NL)
(73) Assignee: **KONINKLIJKE PHILIPS N.V.**,
Eindhoven (NL)
(**) Term: **15 Years**
(21) Appl. No.: **29/631,209**
(22) Filed: **Dec. 28, 2017**

U.S. PATENT DOCUMENTS

D141,359 S	5/1945	Carlson	
D268,239 S	3/1983	Crespi	
D366,783 S	2/1996	Madimenos	
D406,470 S	3/1999	Lin	
D406,480 S *	3/1999	Lin	D6/349
D421,535 S	3/2000	Swensson	
D456,181 S	4/2002	Swensson	
6,364,416 B1 *	4/2002	Rheault	A47C 3/16 297/423.41
D511,059 S	11/2005	Sinding	
D527,929 S	9/2006	Martin	
D581,703 S	12/2008	Diekman	
D610,359 S	2/2010	Young	
D657,578 S *	4/2012	Szekely	D6/349
D681,356 S *	5/2013	Iwasaki	D6/349
D764,197 S	8/2016	Yoshida	
D801,712 S *	11/2017	Neil	A47C 3/16 D6/349

Related U.S. Application Data

(62) Division of application No. 35/500,887, filed on Nov. 3, 2015 (U.S. filing date under 35 U.S.C. 384), and having an international filing date of Sep. 1, 2015, now Pat. No. Des. 809,828.
(51) **LOC (12) Cl.** **06-03**
(52) **U.S. Cl.**
USPC **D6/692**
(58) **Field of Classification Search**
USPC D6/349, 641, 685-687, 692, 692.1-692.6
CPC .. A47B 7/00; A47B 7/02; A47B 13/00; A47B 13/003; A47B 13/02; A47B 13/04; A47B 13/06; A47B 13/08; A47B 13/10; A47B 13/12; A47B 21/00; A47B 2200/0001; A47B 2200/0011; A47B 2200/002
See application file for complete search history.

* cited by examiner

Primary Examiner — Mary Ann Calabrese

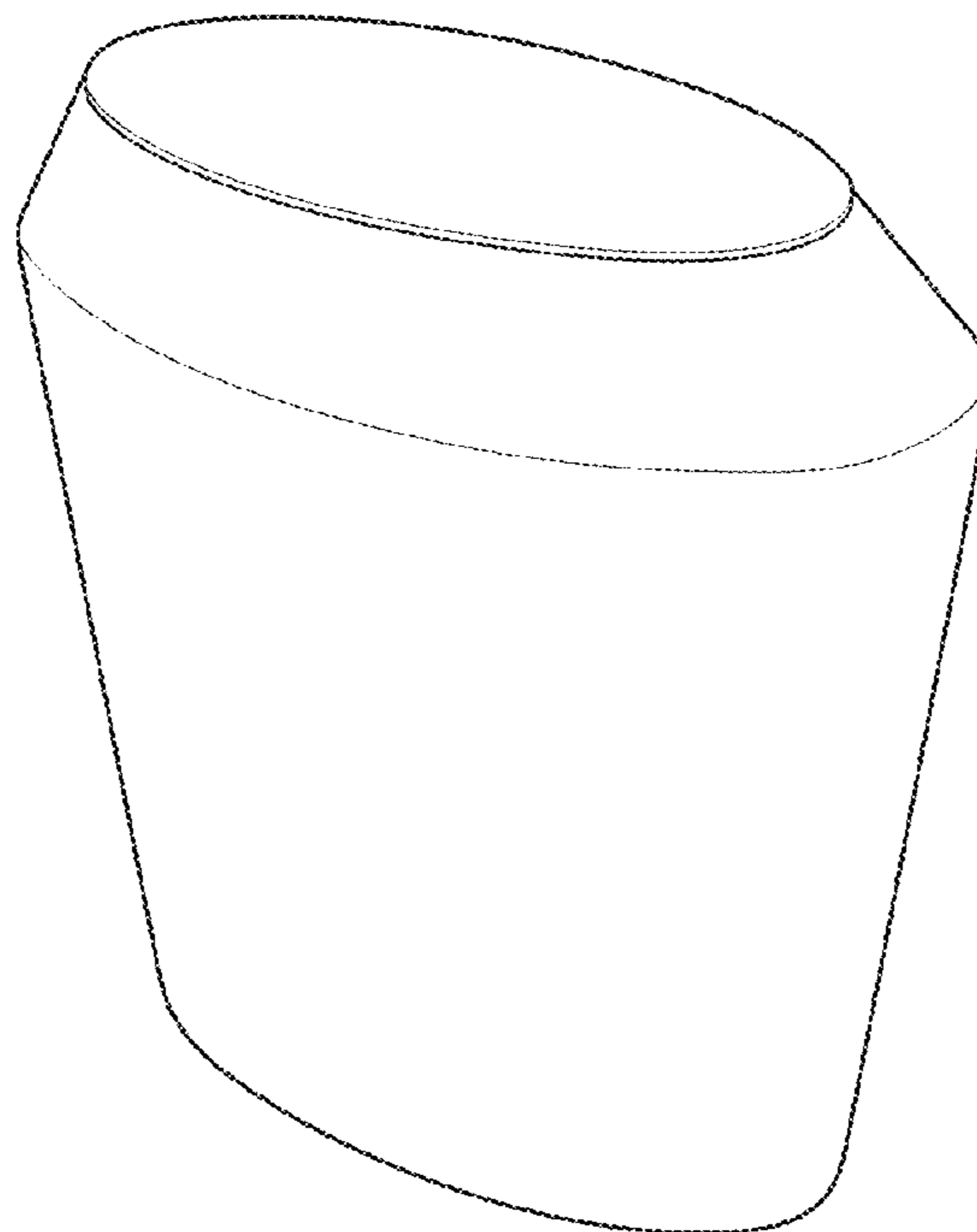
(57) **CLAIM**

The ornamental design for a desk, as shown.

DESCRIPTION

FIG. 1 is a perspective view showing my design; FIG. 2 is a front elevational view thereof; FIG. 3 is a rear elevational view thereof; FIG. 4 is a right side elevational view thereof; FIG. 5 is a left side elevational view thereof; FIG. 6 is a top plan view thereof; and, FIG. 7 is a bottom plan view thereof.

1 Claim, 4 Drawing Sheets



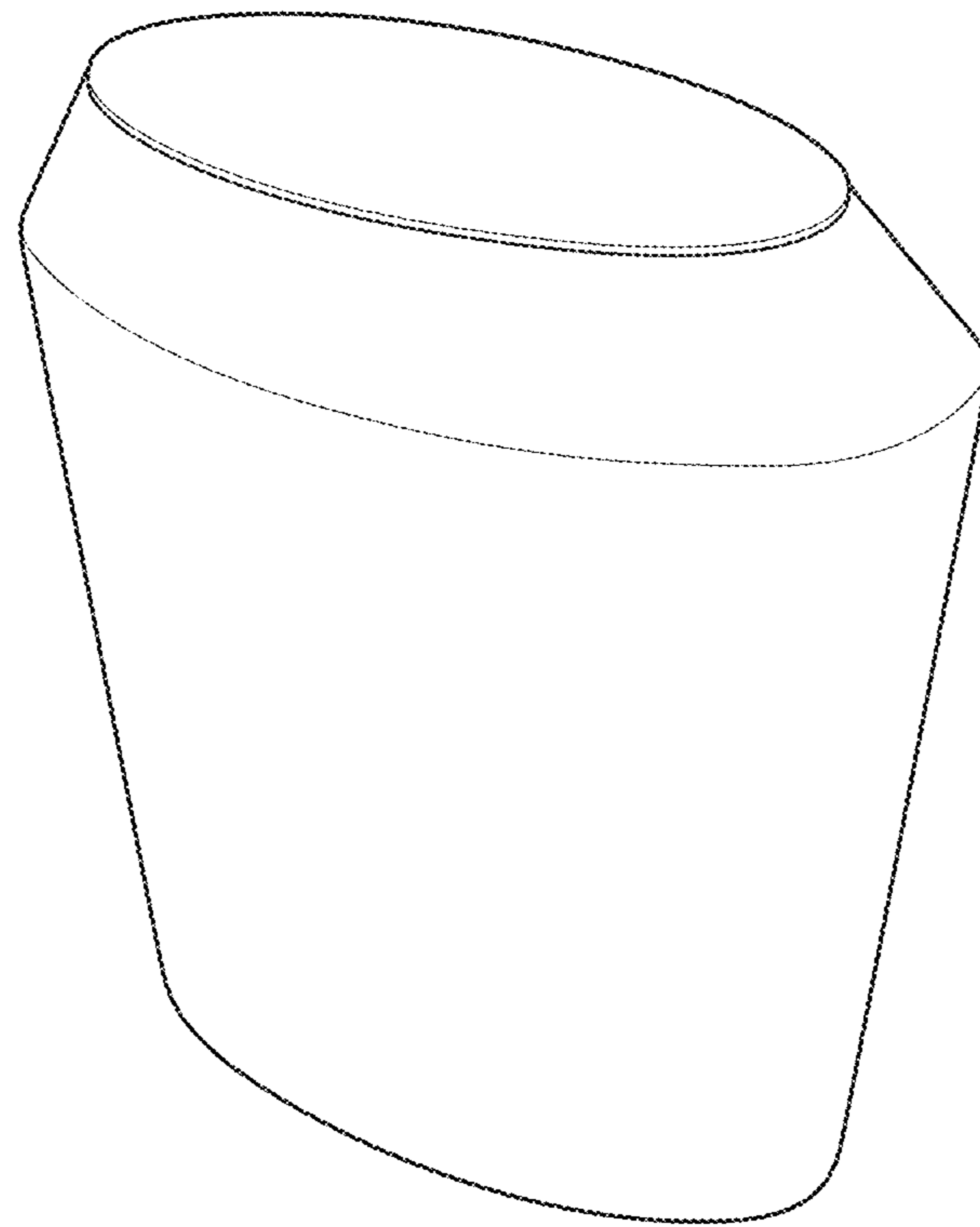


FIG. 1

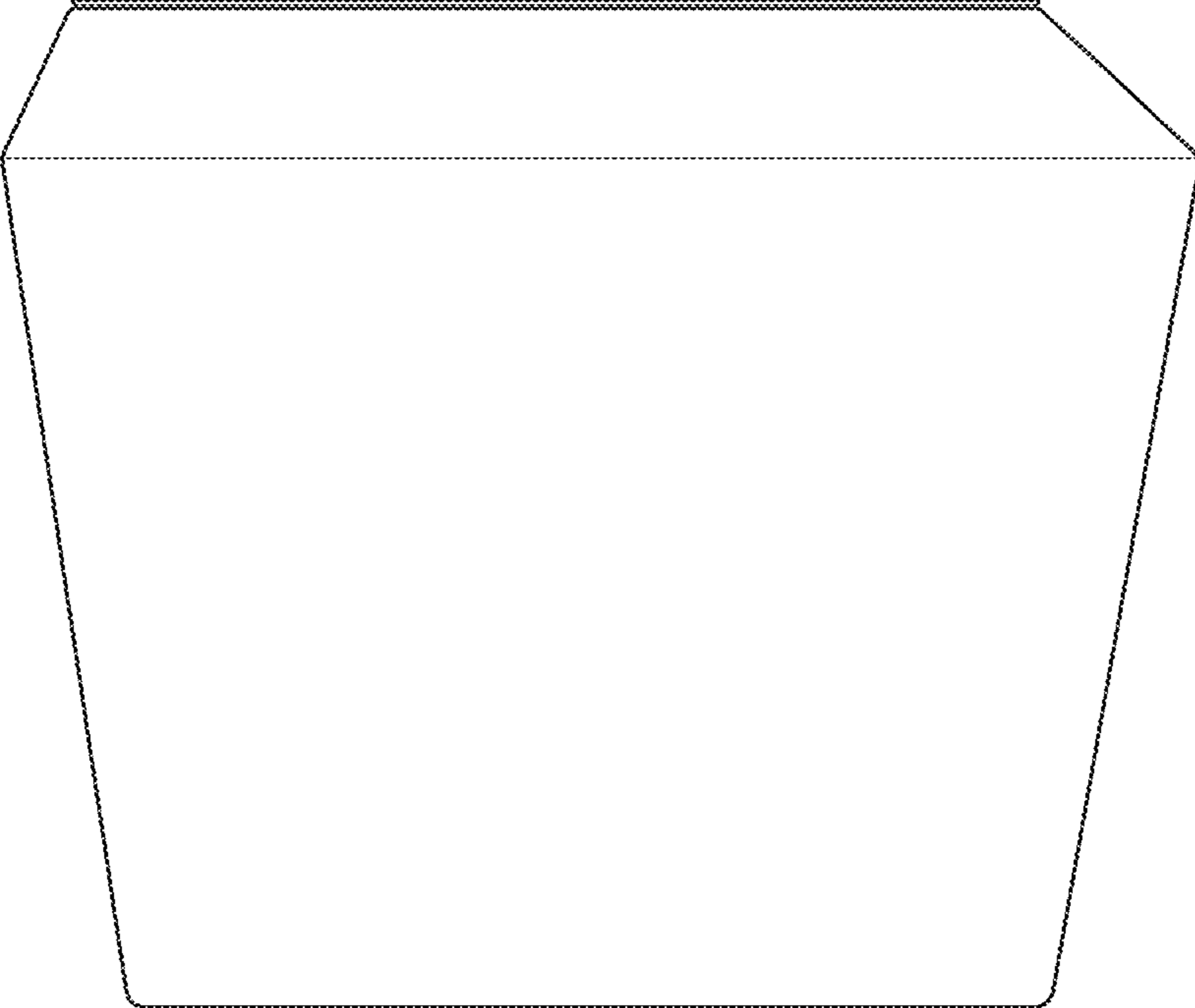


FIG. 2

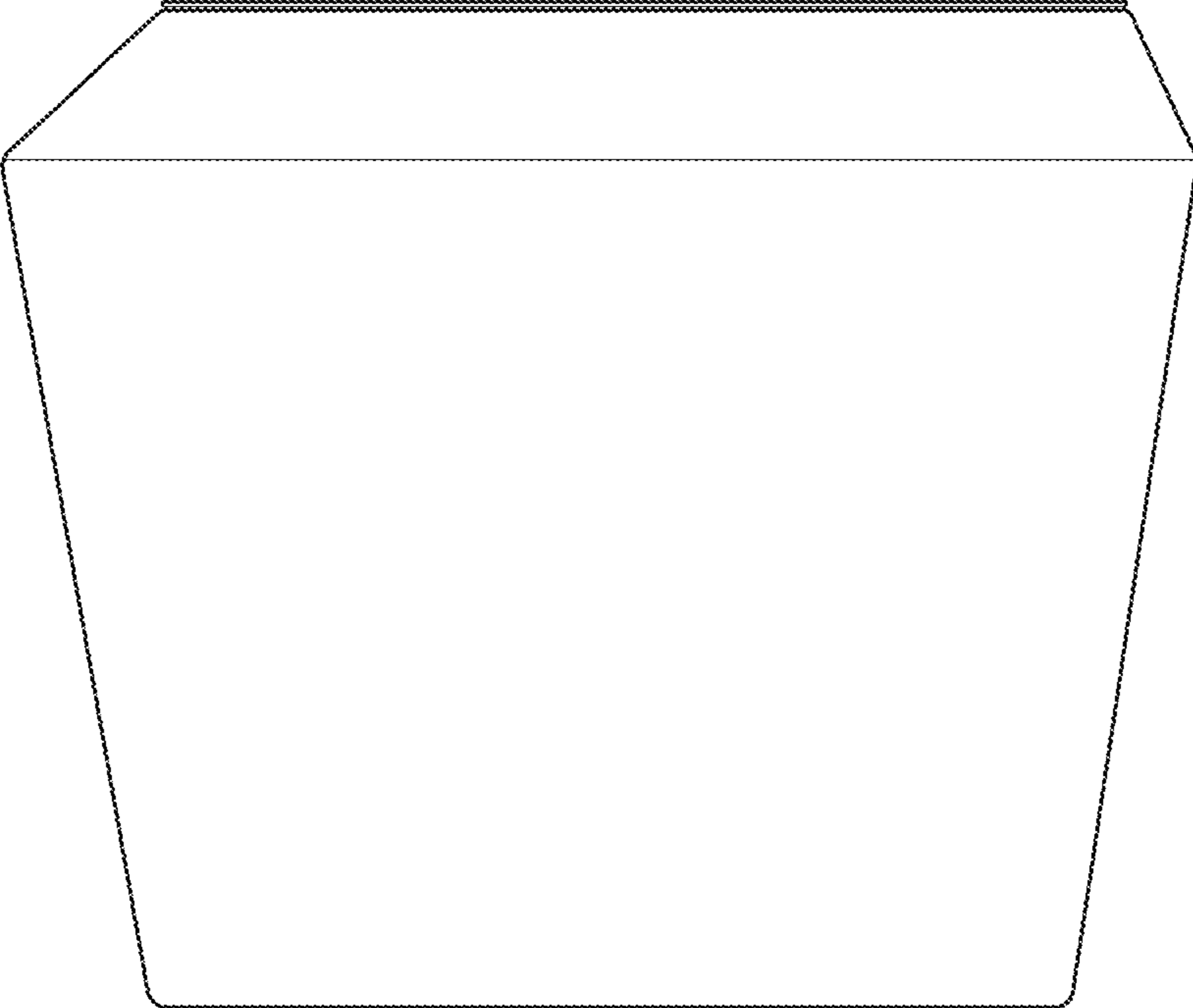


FIG. 3

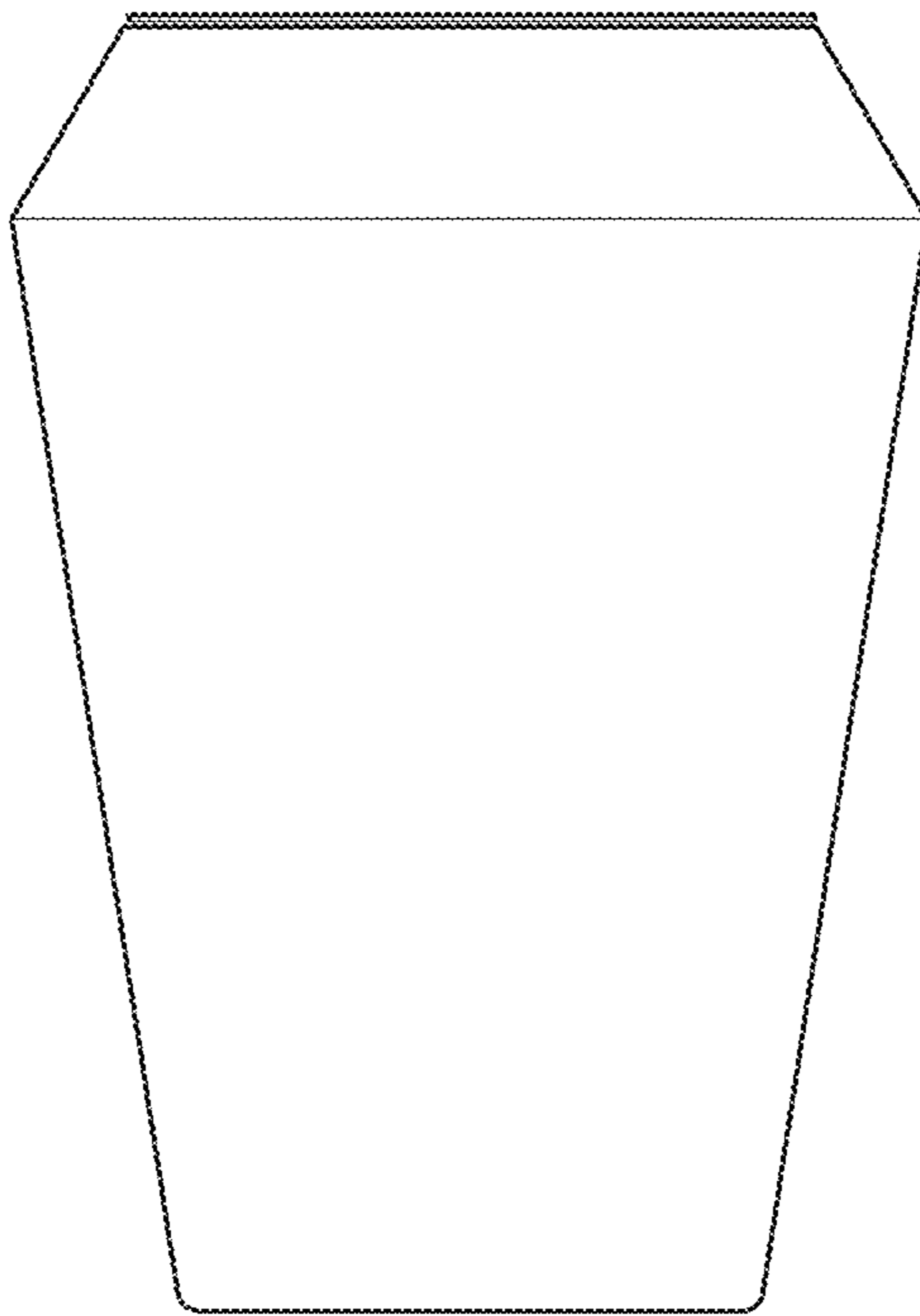


FIG. 4

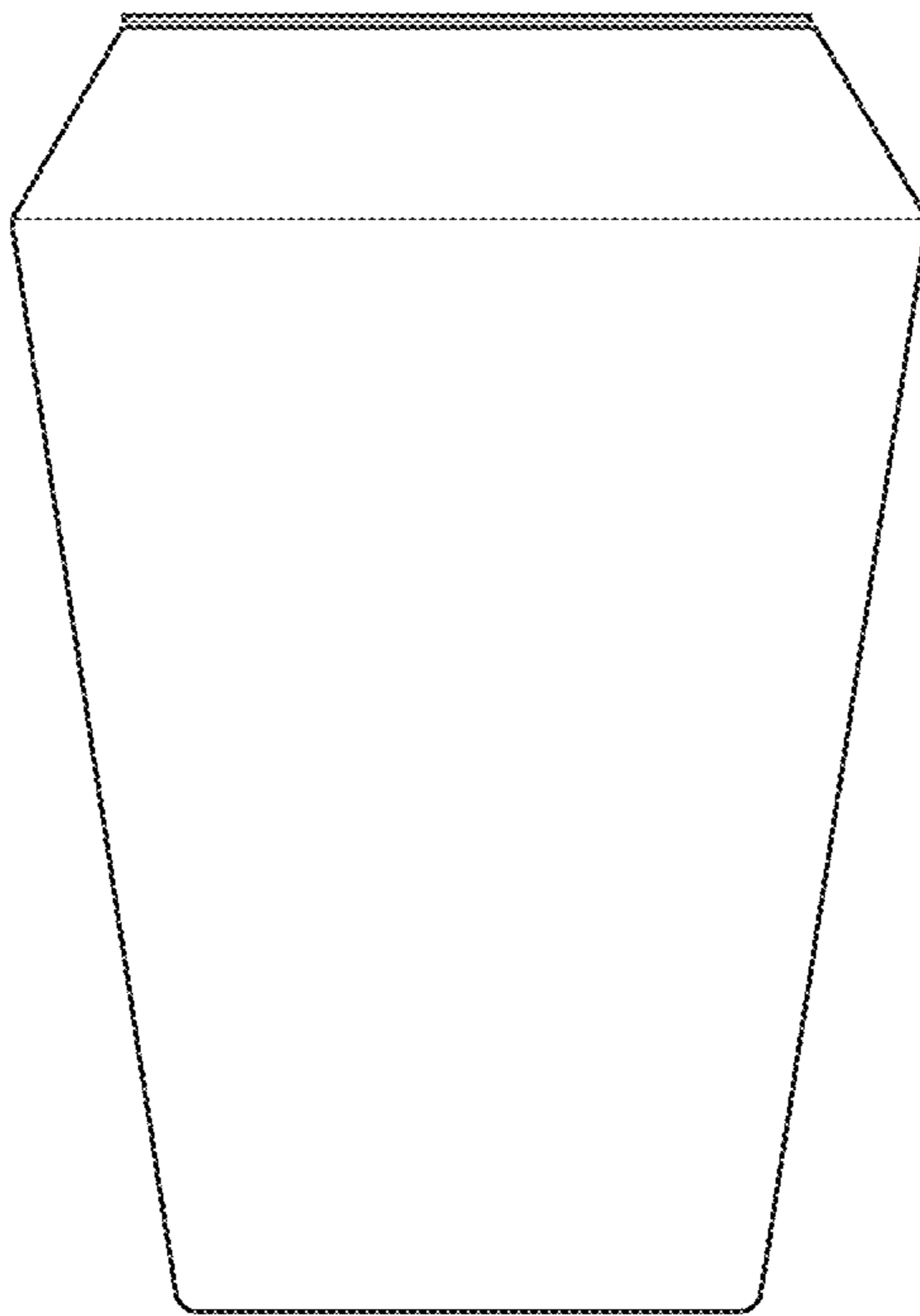


FIG. 5

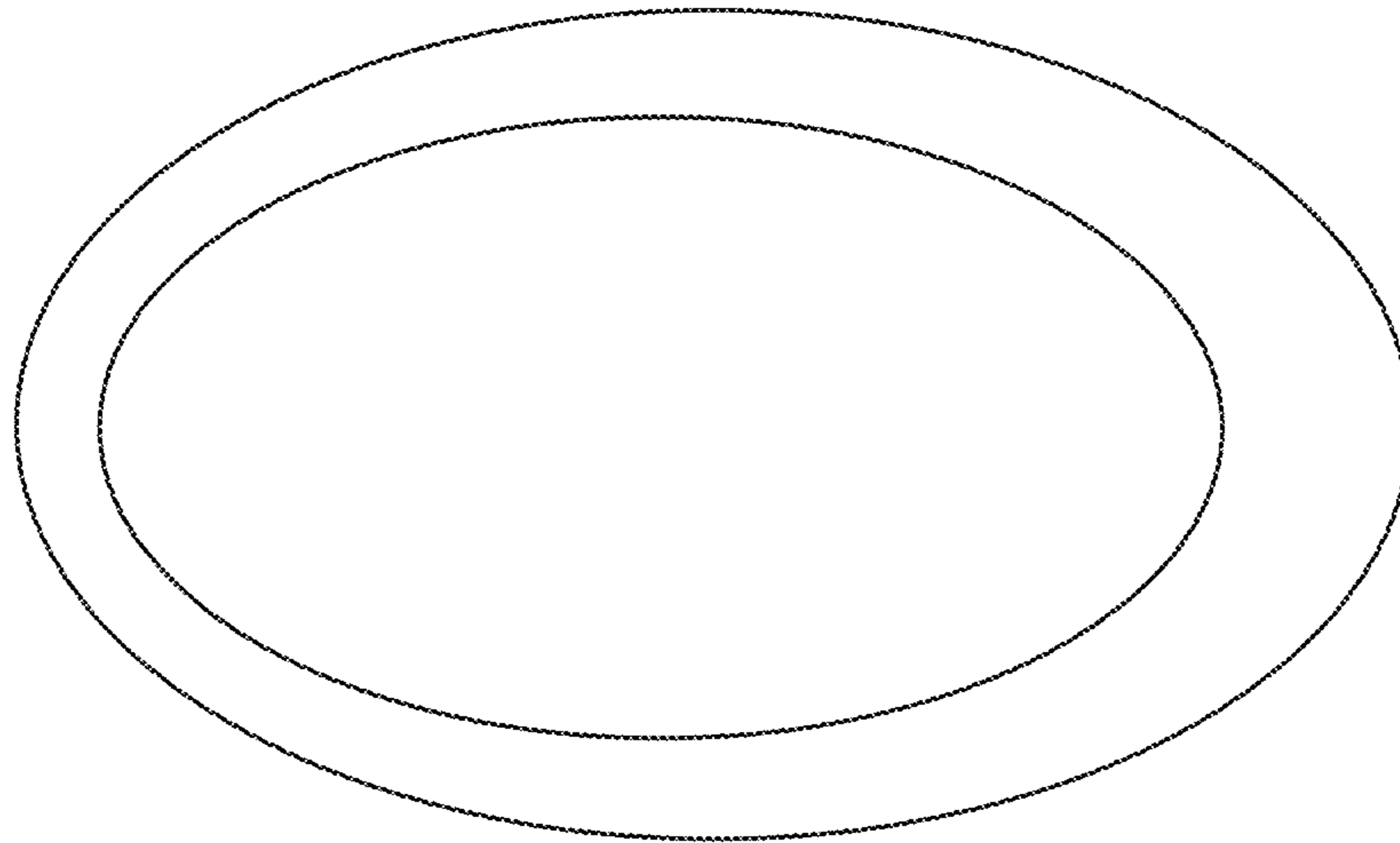


FIG. 6

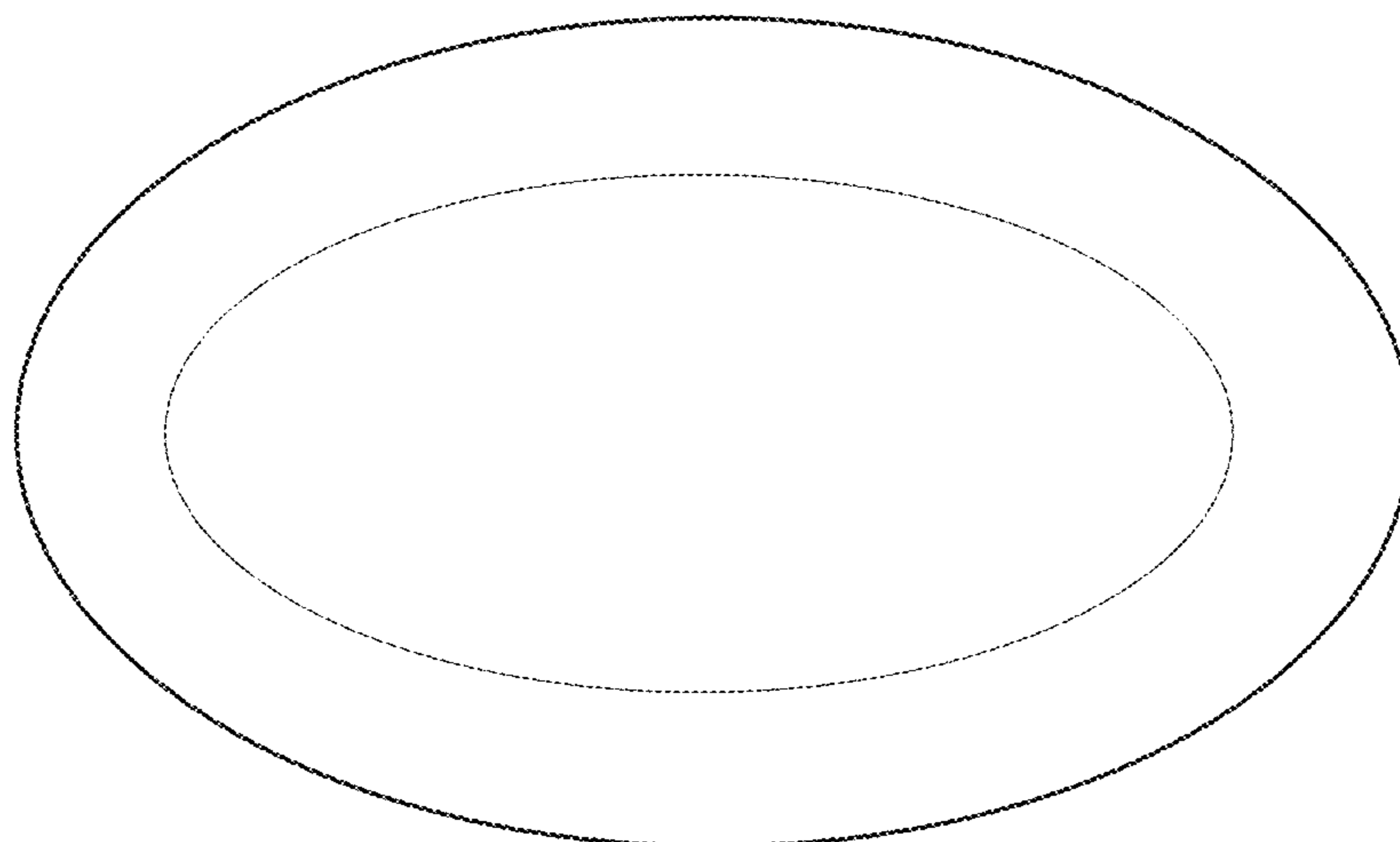


FIG. 7