

US00D862138S

(12) **United States Design Patent** (10) **Patent No.:** **US D862,138 S**  
**Povitz et al.** (45) **Date of Patent:** **\*\* Oct. 8, 2019**

(54) **BALLOON HOLDER BASE**  
(71) Applicant: **Cary Povitz**, Saint-Sauveur (CA)  
(72) Inventors: **Cary Povitz**, Saint-Sauveur (CA);  
**Robert Katz**, Montreal (CA); **Sylvain Duchesne**, Bromont (CA)  
(73) Assignee: **Cary Povitz**, Saint-Sauveur (CA)  
(\*\*) Term: **15 Years**  
(21) Appl. No.: **29/629,958**  
(22) Filed: **Dec. 18, 2017**  
(51) **LOC (12) Cl.** ..... **06-06**  
(52) **U.S. Cl.**  
USPC ..... **D6/682.2**  
(58) **Field of Classification Search**  
USPC ..... D6/672, 678, 678.2, 682, 682.1, 682.2,  
D6/682.3, 683.4; D3/304-305, 313-316  
CPC ..... A47B 73/00; A47B 81/00; A47F 5/0018;  
A47F 5/16; A47F 7/28; A47F 7/283  
See application file for complete search history.

D655,000 S \* 2/2012 Mirigian ..... D24/130  
D759,408 S \* 6/2016 Denby ..... D6/677  
D772,619 S \* 11/2016 Lombardi ..... D6/682.4  
D813,579 S \* 3/2018 Polvadore ..... D6/682.2  
D813,951 S \* 3/2018 Siepmann ..... D21/336  
D813,952 S \* 3/2018 Siepmann ..... D21/336  
D833,539 S \* 11/2018 Hatuka ..... D21/453  
D834,083 S \* 11/2018 Matsumoto ..... D16/202  
2017/0065104 A1 \* 3/2017 Metropulos ..... A47J 37/049

\* cited by examiner

*Primary Examiner* — Kelley A Donnelly

(74) *Attorney, Agent, or Firm* — Gonzalo Lavin

(57) **CLAIM**

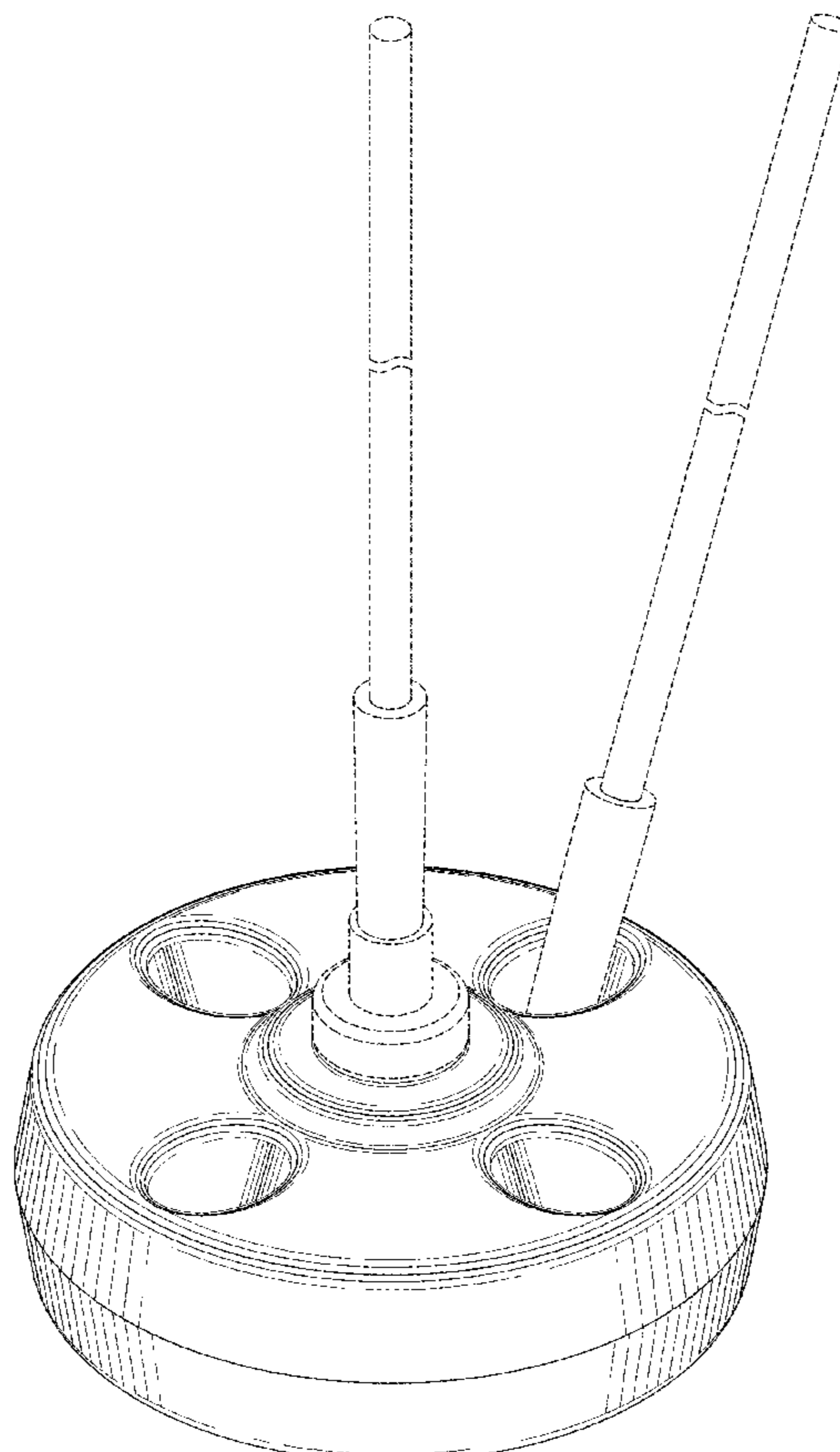
The ornamental design for a balloon holder base, as shown and described.

**DESCRIPTION**

FIG. 1 is a perspective view of a balloon holder base; FIG. 2 is a top view of the balloon holder base of FIG. 1; and, FIG. 3 is a side view of the balloon holder base of FIG. 1. The broken lines showing of portions of the balloon holder base are included for the purpose of illustrating environmental structure and form no part of the claimed design. All surfaces not shown form no part of the claimed design.

**1 Claim, 2 Drawing Sheets**

(56) **References Cited**  
U.S. PATENT DOCUMENTS  
D507,602 S \* 7/2005 Siegel ..... D19/85  
D645,071 S \* 9/2011 Hinkel ..... D16/203



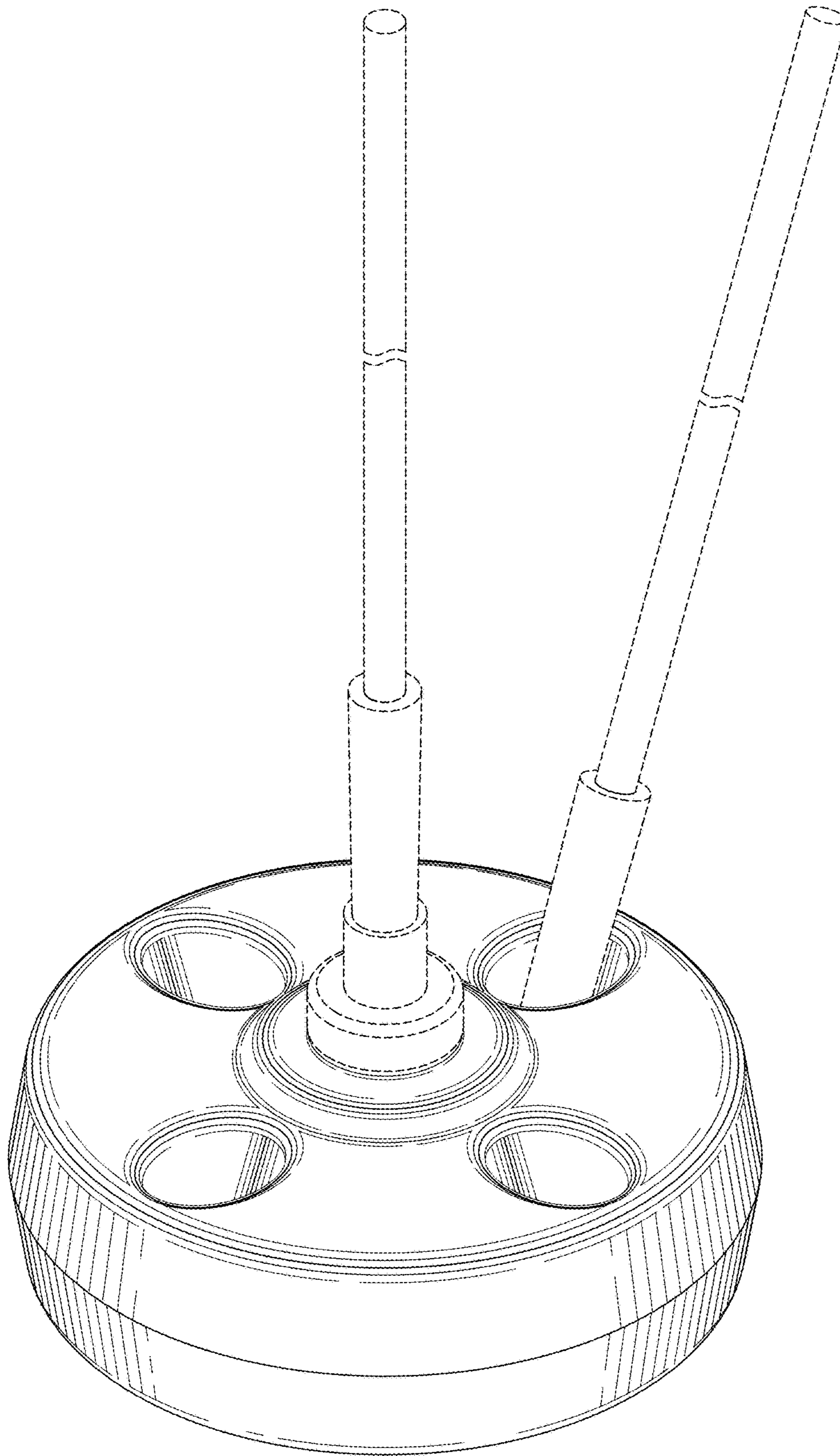


FIG. 1

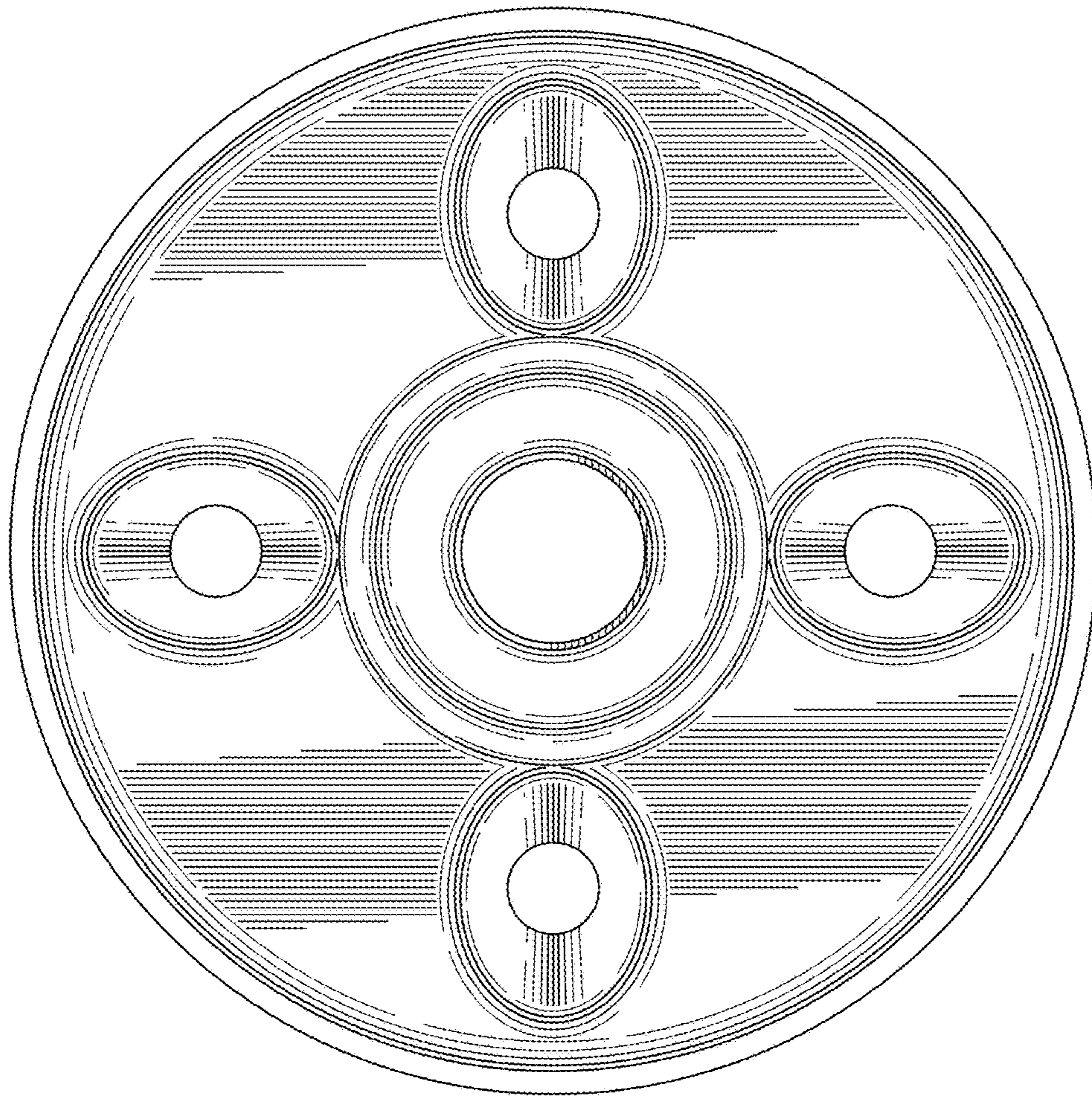


FIG. 2

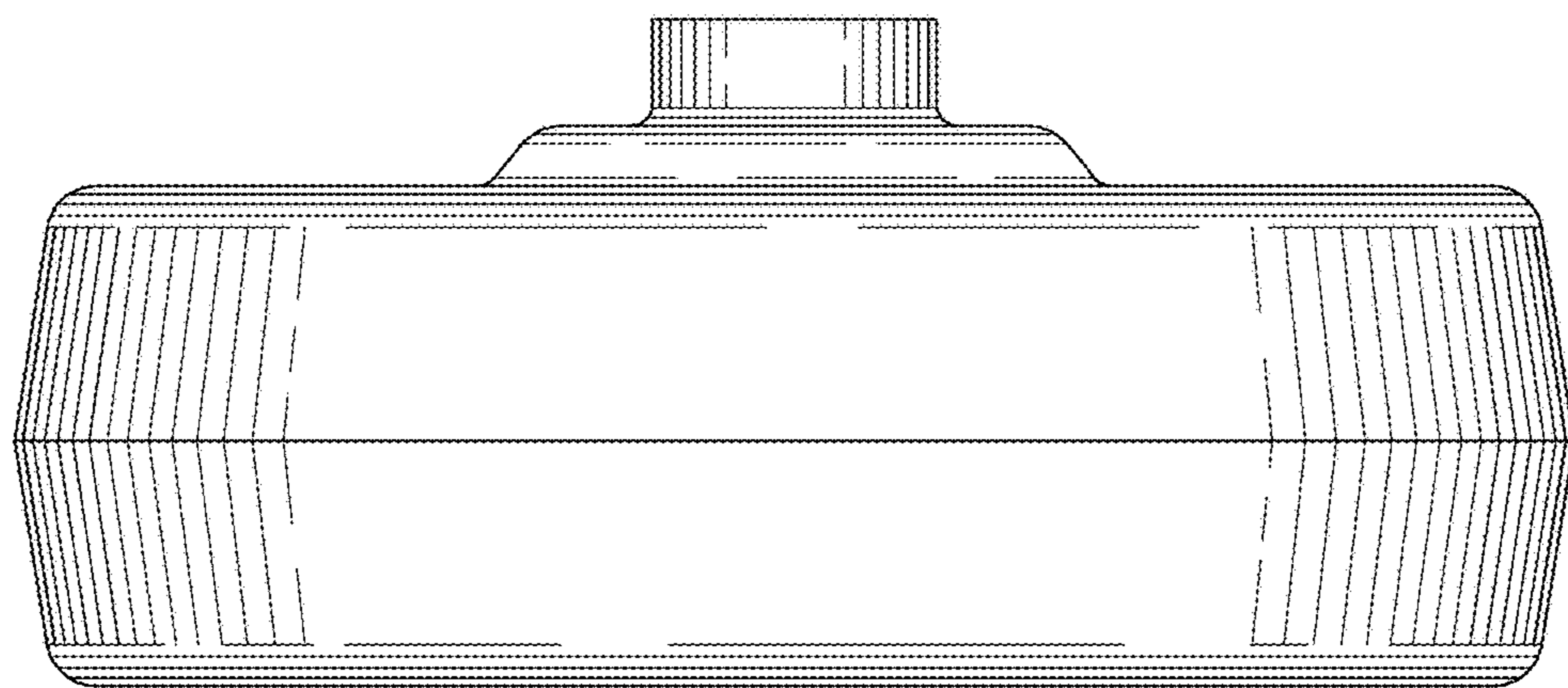


FIG. 3