

US00D862137S

(12) **United States Design Patent** (10) **Patent No.:** **US D862,137 S**
Amrine et al. (45) **Date of Patent:** **** Oct. 8, 2019**

(54) **DISPLAY RACK**
(71) Applicant: **Dimex Office Products LLC**, Marietta, OH (US)
(72) Inventors: **Patrick Amrine**, Williamstown, WV (US); **Andy Antil**, Pickerington, OH (US); **Kevin Morey**, Marietta, OH (US); **Forrest Adam Sanders**, Marietta, OH (US)
(73) Assignee: **Dimex Office Products LLC**, Marietta, OH (US)

920,962 A 5/1909 Kepke
1,240,611 A * 9/1917 Smith et al. A47G 25/0685 211/48
1,613,041 A * 1/1927 Lowe A47F 7/16 211/48
2,023,866 A 12/1935 Best
D157,466 S * 2/1950 Bornstein et al. D6/548
2,913,123 A * 11/1959 Lundberg A47B 97/02 211/48
3,168,276 A 2/1965 Schneider
3,207,319 A 9/1965 Best
3,568,852 A 3/1971 Howard
(Continued)

(**) Term: **15 Years**

FOREIGN PATENT DOCUMENTS
DE 9300622 U1 3/1993
FR 2468342 A3 5/1981

(21) Appl. No.: **29/572,028**

(22) Filed: **Jul. 25, 2016**

(51) **LOC (12) Cl.** **06-04**
(52) **U.S. Cl.**
USPC **D6/681**

OTHER PUBLICATIONS

Office Action, U.S. Appl. No. 15/343,249, 18 pgs., dated May 22, 2018.

(58) **Field of Classification Search**
USPC D6/315, 322, 324, 327, 672, 679, 680, D6/680.3, 681, 681.1, 681.3, 682.5, D6/682.6, 548, 566, 567, 569, 571
CPC A47F 7/16; A47F 7/0042; A47F 5/0006; A47F 7/02
See application file for complete search history.

Primary Examiner — John Windmuller
Assistant Examiner — Steven J Czyz
(74) *Attorney, Agent, or Firm* — Wood Herron & Evans LLP

(56) **References Cited**

(57) **CLAIM**

The ornamental design for a display rack, as shown and described.

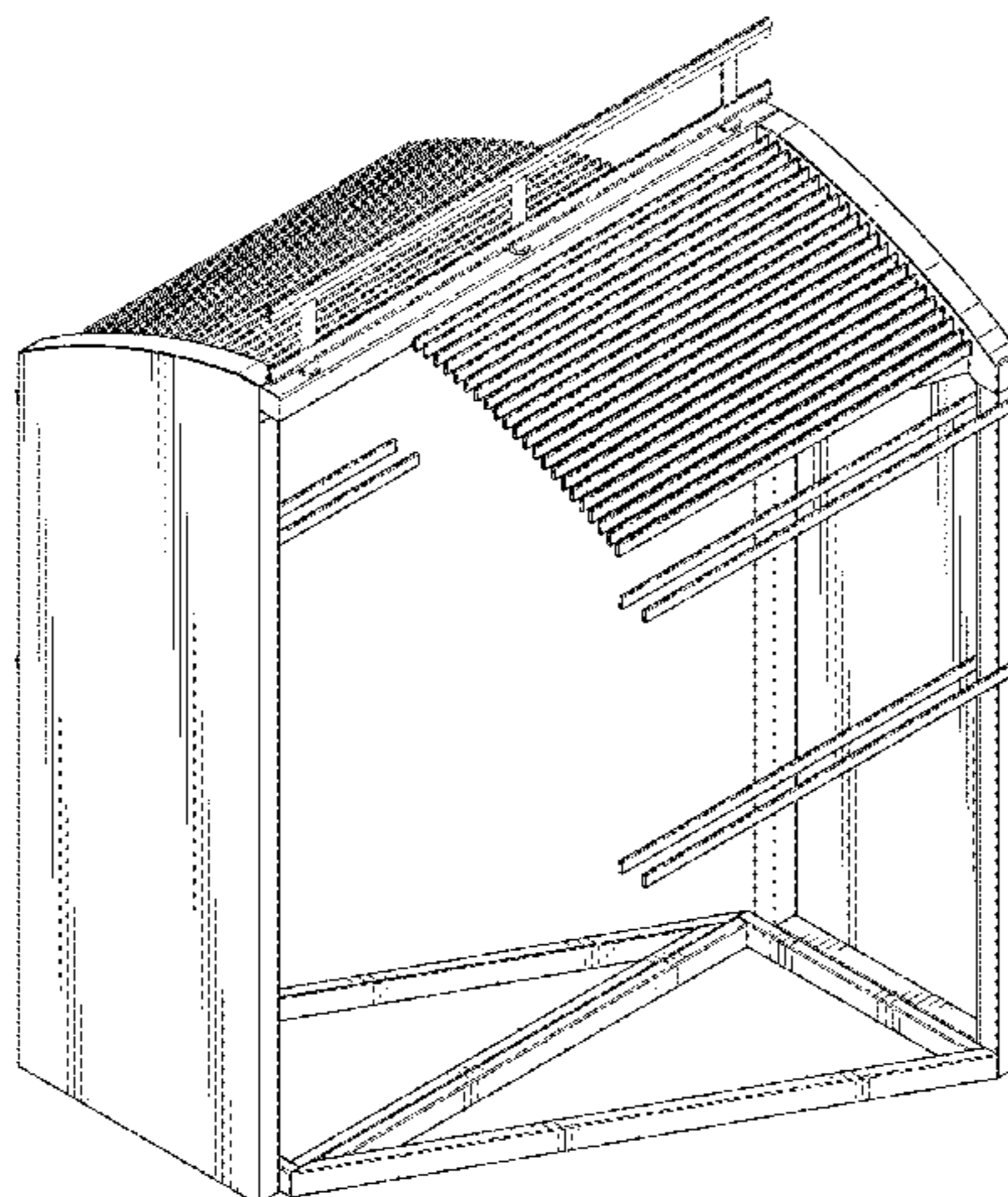
U.S. PATENT DOCUMENTS

DESCRIPTION

487,110 A * 11/1892 Best et al. A47F 7/16 211/48
951,170 A 6/1900 Thomas
696,341 A * 3/1902 Johnson et al. A47F 7/16 211/48
722,568 A * 3/1903 Davy et al. A47F 7/16 211/48
819,989 A 5/1906 Gilbert
890,929 A 6/1908 Roush, Jr. et al.
914,469 A * 3/1909 Weaver et al. A47F 7/16 211/47

FIG. 1 is a top isometric view of a display rack showing our new design;
FIG. 2 is a front view thereof, with the rear being a mirror image thereof;
FIG. 3 is a left side view thereof, with the right side view being a mirror image thereof; and,
FIG. 4 is a top view thereof.

1 Claim, 4 Drawing Sheets



(56)

References Cited

U.S. PATENT DOCUMENTS

D225,141 S * 11/1972 Acton et al. D6/681.3
 3,871,524 A 3/1975 Helf
 4,127,195 A * 11/1978 Portnoy A47K 10/04
 211/100
 D253,450 S * 11/1979 Butcher D6/682.6
 4,340,633 A 7/1982 Robbins, Jr.
 4,361,241 A 11/1982 Stoddard
 4,366,908 A * 1/1983 Anderson A47B 96/061
 211/87.01
 4,503,979 A * 3/1985 Morand B42F 15/06
 211/45
 4,620,635 A * 11/1986 Morand B42F 15/06
 211/116
 4,723,665 A * 2/1988 Benedict A47B 61/02
 211/168
 D329,952 S * 10/1992 Walter 248/165
 D329,953 S * 10/1992 Walter 248/165
 5,152,404 A 10/1992 Salrin et al.
 D330,988 S 11/1992 Robbins, III
 5,657,881 A * 8/1997 Fourel A47F 5/0006
 211/60.1
 D383,327 S * 9/1997 Loflin D6/566
 6,308,842 B1 * 10/2001 Robbins A47F 5/0006
 206/494
 D450,200 S * 11/2001 Lowe D6/681.1
 6,340,092 B1 * 1/2002 McGrath, Jr. A47F 7/0042
 211/169
 6,394,286 B1 * 5/2002 Dueck A47F 7/166
 211/1.57
 D472,419 S 4/2003 Robbins, III

D475,792 S 6/2003 Robbins, III
 D478,761 S 8/2003 Robbins, III
 D498,087 S * 11/2004 Stein D6/679
 6,942,112 B2 9/2005 Robbins, III
 6,946,184 B2 9/2005 Robbins, III
 7,029,743 B2 4/2006 Robbins, III
 D521,769 S * 5/2006 Israel D6/681.1
 D522,299 S 6/2006 Robbins, III
 D534,373 S 1/2007 Robbins, III
 D536,906 S 2/2007 Robbins, III
 D549,003 S * 8/2007 Biser D6/679
 D584,905 S * 1/2009 Kiska D6/679
 D586,601 S 2/2009 Robbins, III
 D591,991 S * 5/2009 Cohen D6/548
 D594,263 S 6/2009 Robbins, III
 D617,593 S * 6/2010 Cohen D6/548
 D625,530 S 10/2010 Robbins, III
 D628,407 S 12/2010 Robbins, III
 D630,454 S * 1/2011 Kiska D6/679
 D630,865 S * 1/2011 Robbins, III D6/681.3
 D637,852 S 5/2011 Black, Jr. et al.
 D653,050 S * 1/2012 Nowak D6/679
 8,464,879 B2 * 6/2013 Black, Jr. A47F 7/0014
 211/181.1
 D703,409 S 4/2014 Robbins, III et al.
 8,720,706 B2 5/2014 Robbins, III et al.
 D706,058 S 6/2014 Robbins, III et al.
 D713,654 S 9/2014 Robbins, III et al.
 D727,632 S * 4/2015 Sanchez D6/323
 D751,784 S 3/2016 Robbins, III
 D755,538 S 5/2016 Robbins, III
 D788,490 S * 6/2017 Klein D6/548
 2018/0125264 A1 * 5/2018 Amrine A47F 7/163

* cited by examiner

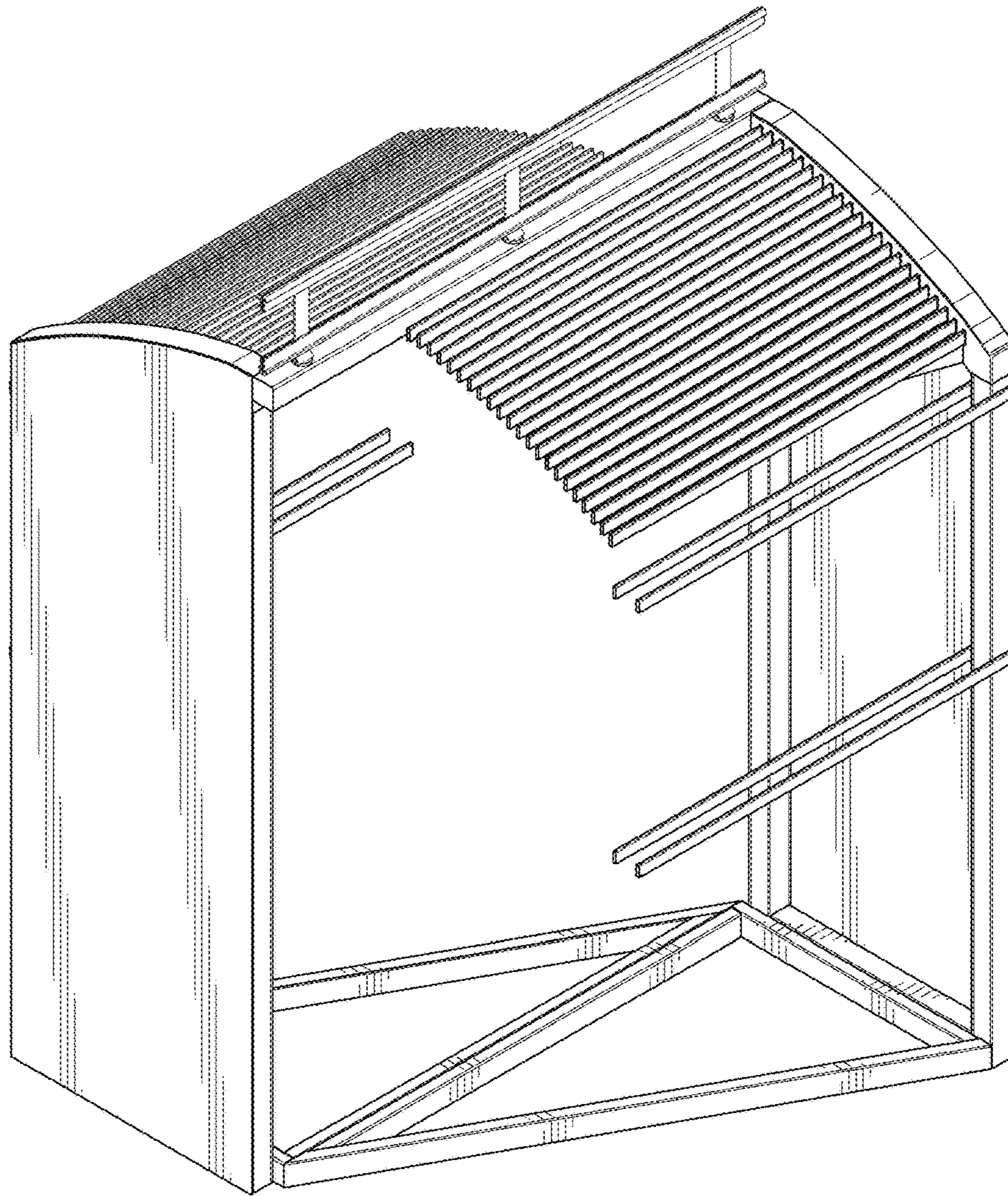


FIG. 1

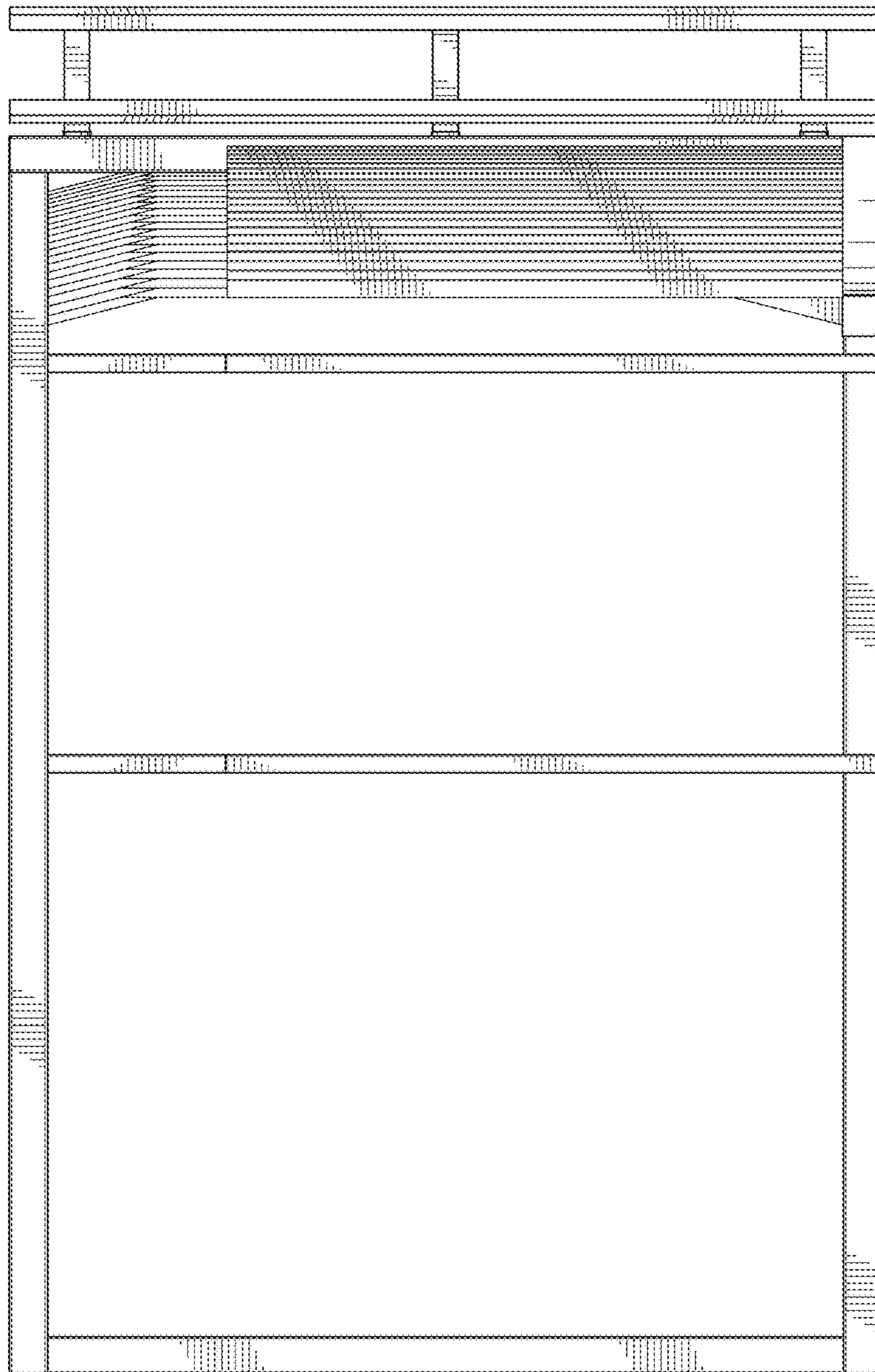


FIG. 2

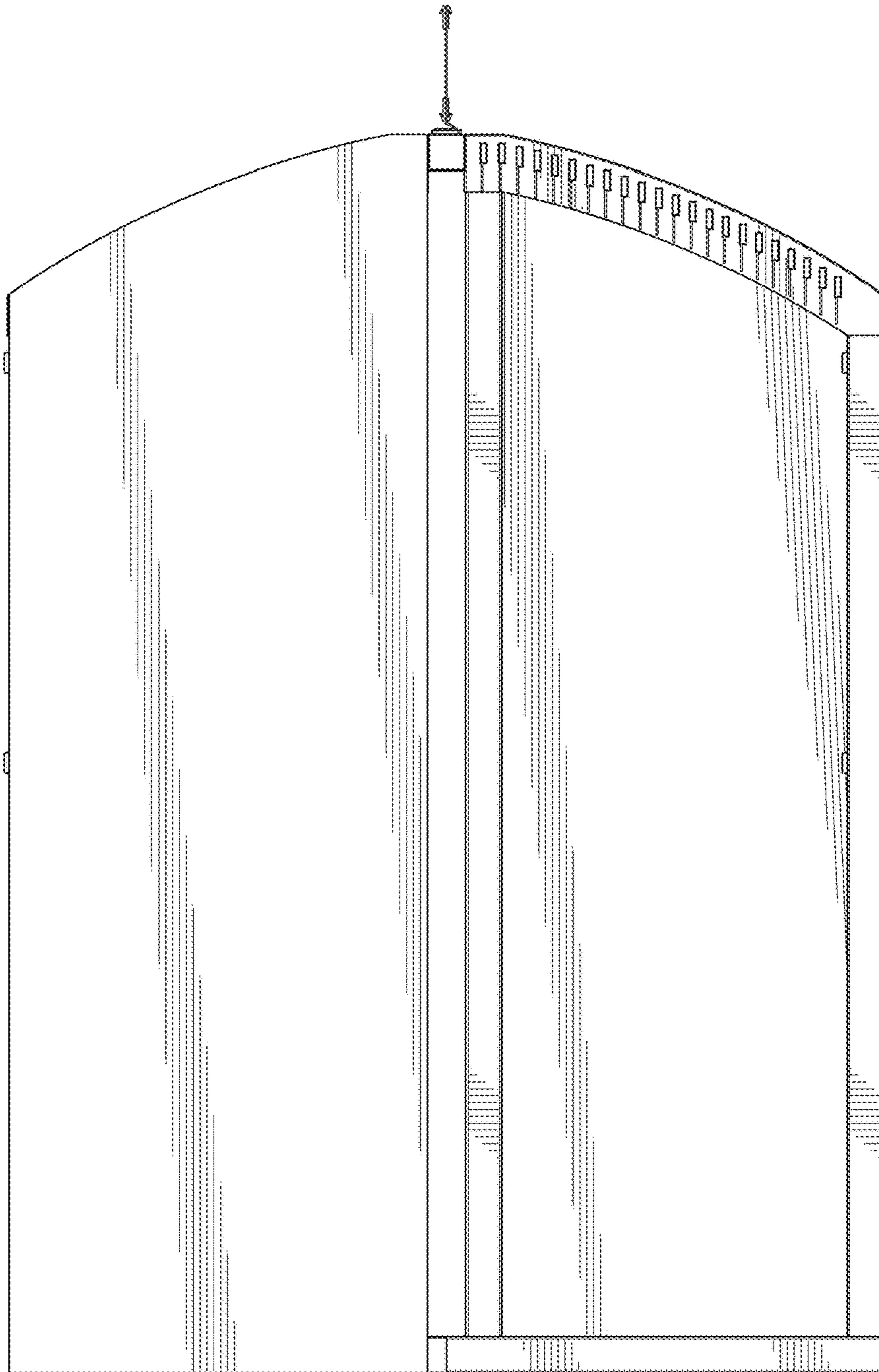


FIG. 3

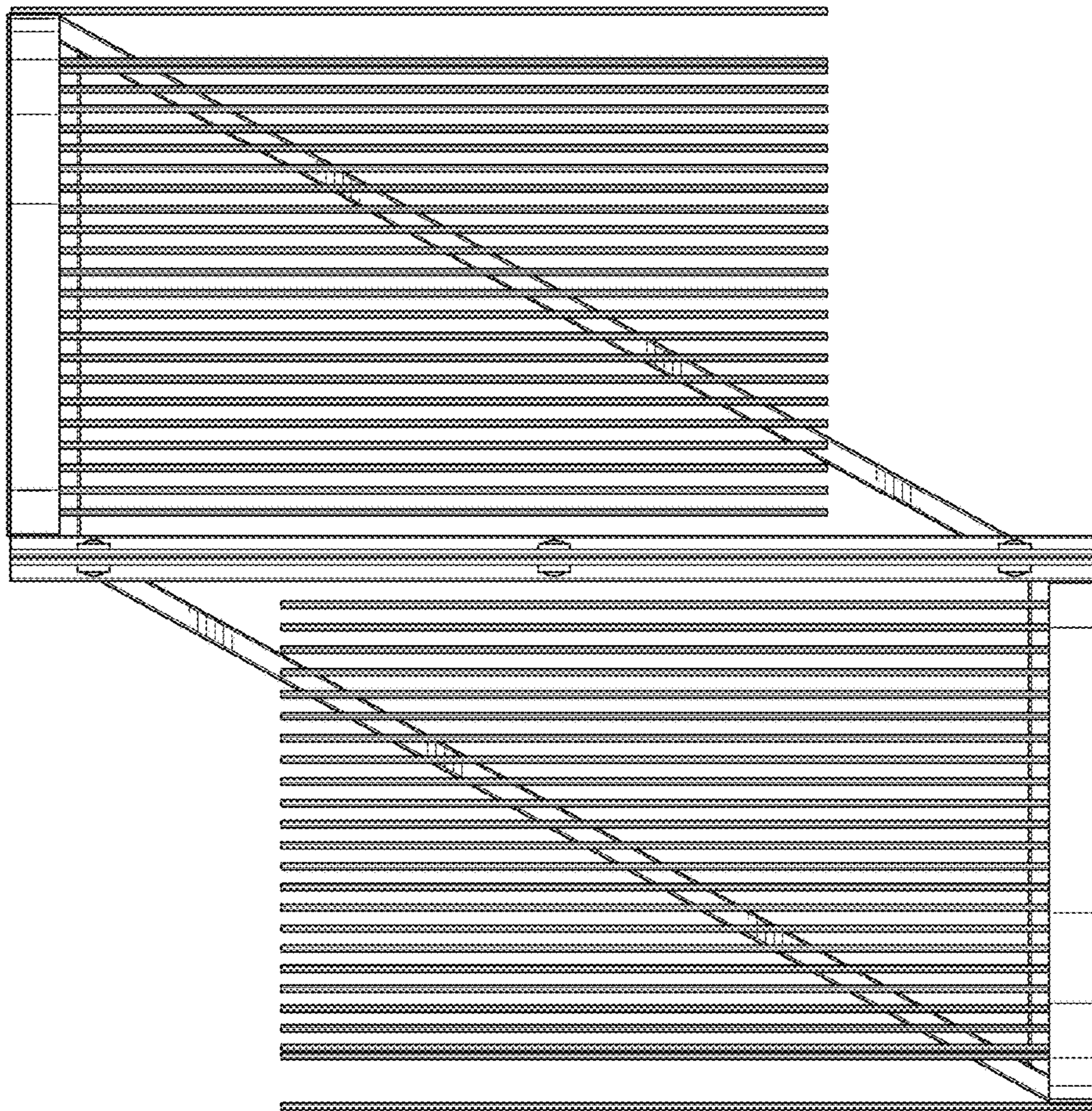


FIG. 4