



US00D862136S

(12) **United States Design Patent**
Dunahay

(10) **Patent No.:** **US D862,136 S**
(45) **Date of Patent:** **** Oct. 8, 2019**

- (54) **SHELVING APPARATUS**
- (71) Applicant: **Coulter Ventures, LLC**, Columbus, OH (US)
- (72) Inventor: **Nash Dunahay**, Gahanna, OH (US)
- (73) Assignee: **Coulter Ventures, LLC.**, Columbus, OH (US)
- (**) Term: **15 Years**
- (21) Appl. No.: **29/680,667**
- (22) Filed: **Feb. 19, 2019**

- D709,107 S * 7/2014 Kim D15/89
 - D709,533 S * 7/2014 Park D15/89
 - D714,131 S 9/2014 Mansor
 - D722,622 S 2/2015 Kim et al.
 - D724,119 S * 3/2015 Kim D15/89
 - D724,631 S 3/2015 Kim et al.
- (Continued)

Related U.S. Application Data

- (63) Continuation of application No. 29/640,455, filed on Mar. 14, 2018, now Pat. No. Des. 845,045.
- (51) **LOC (12) Cl.** **06-06**
- (52) **U.S. Cl.**
USPC **D6/675**
- (58) **Field of Classification Search**
USPC D8/380-381; D6/672, 675, 675.2, 678.1, D6/678.4, 680.2, 681, 681.1, 681.3, D6/682.5, 682.6
CPC A47G 25/746; A47G 25/0664; A47F 7/24; A47F 5/13; A47B 61/00; A47B 57/402
See application file for complete search history.

(56) **References Cited**

U.S. PATENT DOCUMENTS

- 4,765,493 A 8/1988 Kinney
- D385,140 S * 10/1997 Whitehead D6/574
- 6,209,731 B1 4/2001 Spamer et al.
- D490,697 S 6/2004 Runnalls
- D575,722 S * 8/2008 Beauchamp D12/412
- D599,580 S * 9/2009 Whittier D6/574
- 8,424,466 B2 4/2013 Botkin
- D695,555 S * 12/2013 Wind D6/705.6
- D702,541 S * 4/2014 Mansor D8/381

OTHER PUBLICATIONS

Product listing for Rogue Monster Mass Storage from <https://web.archive.org/web/20170703212533/http://www.roguefitness.com:80/monster-mass-storage>, dated Jul. 3, 2017.
(Continued)

Primary Examiner — Kelley A Donnelly
(74) *Attorney, Agent, or Firm* — Banner & Witcoff, Ltd.

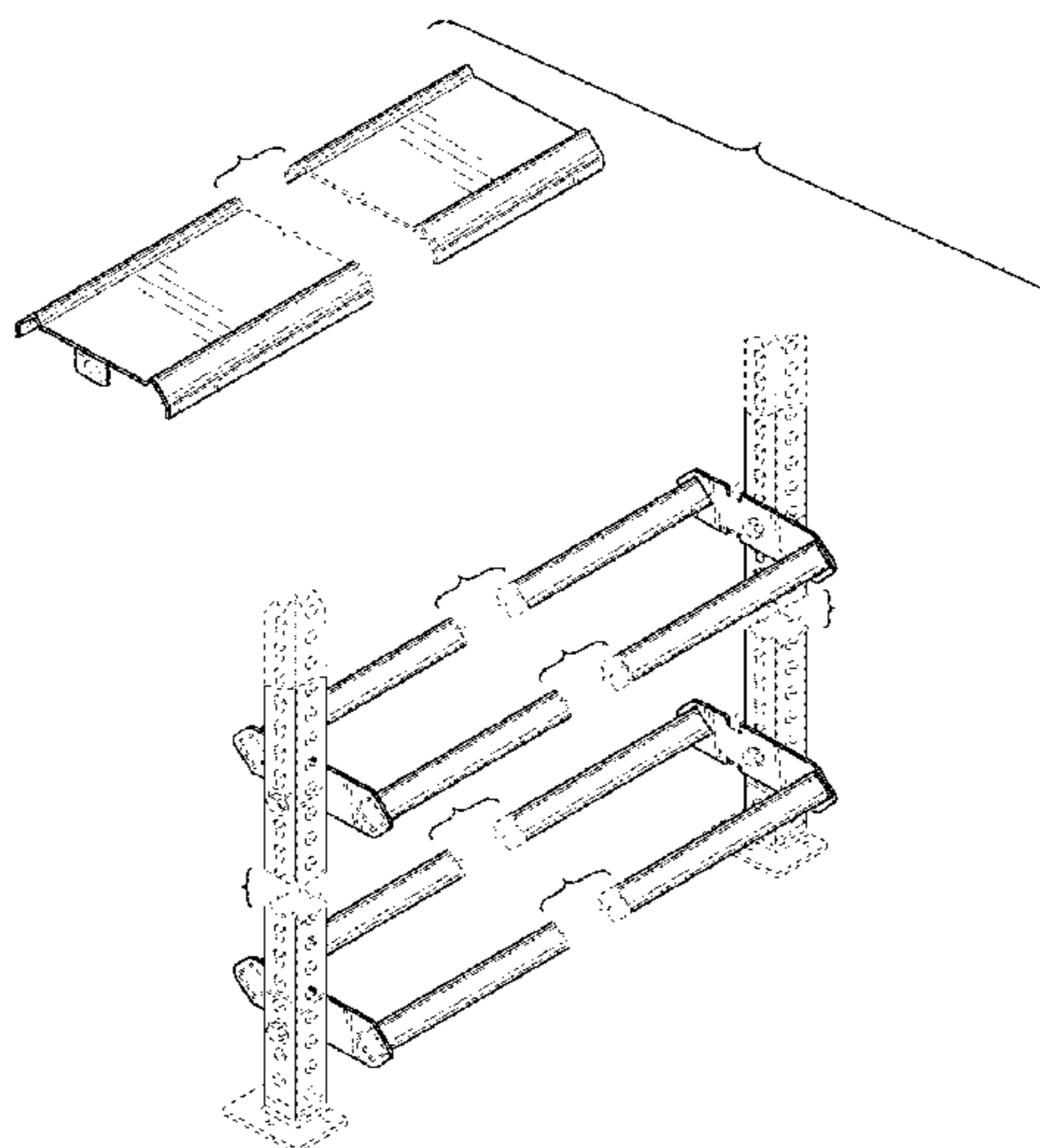
(57) **CLAIM**

The ornamental design for a shelving apparatus, as shown and described.

DESCRIPTION

FIG. 1 is a top, front, left perspective view of a shelving apparatus in an open configuration showing my new design; FIG. 2 is a rear view thereof; FIG. 3 is a front view thereof; FIG. 4 is a right side view thereof; FIG. 5 is a left side view thereof; FIG. 6 is a top view thereof; FIG. 7 is a bottom view thereof; and, FIG. 8 is a bottom, rear, right perspective view thereof. The broken lines immediately adjacent to the shaded area define the bounds of the claimed design and form no part thereof. The broken lines depicting the remainder of the shelving apparatus show features that form no part of the claimed design. The break lines shown in FIGS. 1-8 are not part of the claimed design and represent that no particular length is claimed.

1 Claim, 8 Drawing Sheets



(56)

References Cited

U.S. PATENT DOCUMENTS

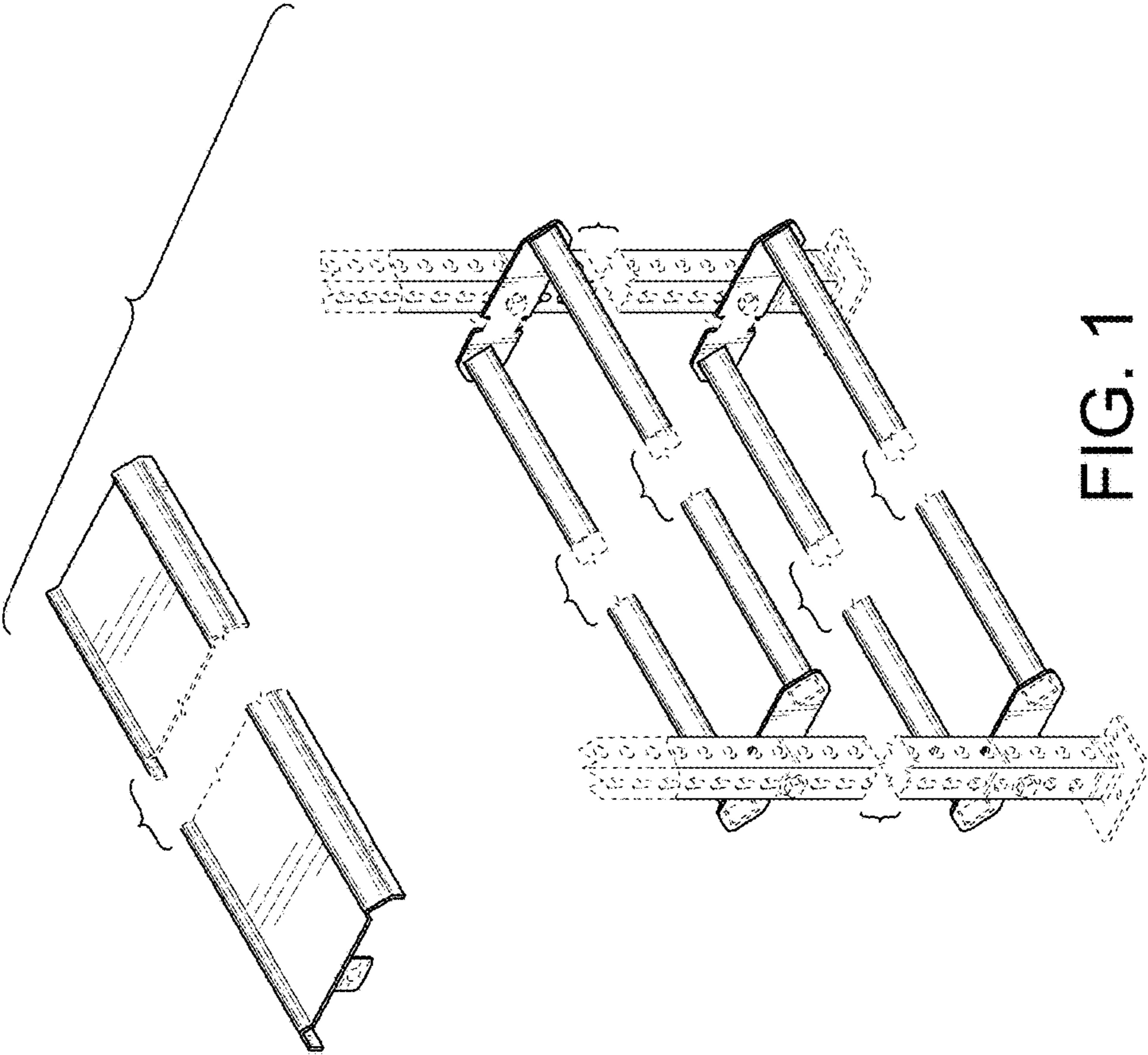
D743,454 S	*	11/2015	Yeo	D15/89
D801,734 S		11/2017	Turner et al.		
D845,045 S	*	4/2019	Dunahay	D6/681.1
D847,535 S	*	5/2019	Goodman	D6/567
2008/0156752 A1		7/2008	Bryson et al.		
2008/0302748 A1	*	12/2008	Tsai	A47B 45/00 211/188

OTHER PUBLICATIONS

Product listing for 2-Tier Mass Storage System—43" from <https://web.archive.org/web/20170710064814/http://www.roguefitness.com:80/2-tier-mass-storage-system-43>, dated Jul. 10, 2017.
 Product listing for 3-Tier Mass Storage System—43" from <https://web.archive.org/web/20170621060447/http://www.roguefitness.com/3-tier-mass-storage-system-43>, dated Jun. 21, 2017.
 Product listing for 2-Tier Mass Storage System—70" from <https://web.archive.org/web/20170718163236/http://www.roguefitness.com:80/2-tier-mass-storage-system-70>, dated Jul. 18, 2017.

Product listing for 3-Tier Mass Storage System—70" from <https://web.archive.org/web/20170621022248/http://www.roguefitness.com/3-tier-mass-storage-system-70>, dated Jun. 21, 2017.
 Product listing for Rogue Universal Storage System 2.0 from <https://web.archive.org/web/20170701060527/http://www.roguefitness.com:80/rogue-universal-storage-system-2-0>, dated Jul. 1, 2017.
 Photos of Rogue Universal Storage System 2.0 from <https://web.archive.org/web/20170701060527/http://www.roguefitness.com:80/rogue-universal-storage-system-2-0>, dated Jul. 1, 2017.
 Product listing for Rogue Mass Storage Add-Ons from <https://web.archive.org/web/20170620230340/http://www.roguefitness.com/rogue-mass-storage-add-ons>, dated Jun. 20, 2017.
 Product listing for Rogue 3 Tier Dumbbell Rack from <https://web.archive.org/web/20170719122936/http://www.roguefitness.com:80/rogue-3-tier-dumbbell-rack>, dated Jul. 19, 2017.
 U.S. Appl. No. 29/640,453, filed Mar. 14, 2018, by Nash Dunahay.
 U.S. Appl. No. 29/640,459, filed Mar. 14, 2018, by Nash Dunahay.
 U.S. Appl. No. 29/640,455, filed Mar. 14, 2018, by Nash Dunahay.
 U.S. Appl. No. 29/637,843, filed Feb. 2, 2018, by Nash Dunahay.
 U.S. Appl. No. 16/291,849, filed Mar. 4, 2019 by Nash Dunahay.

* cited by examiner



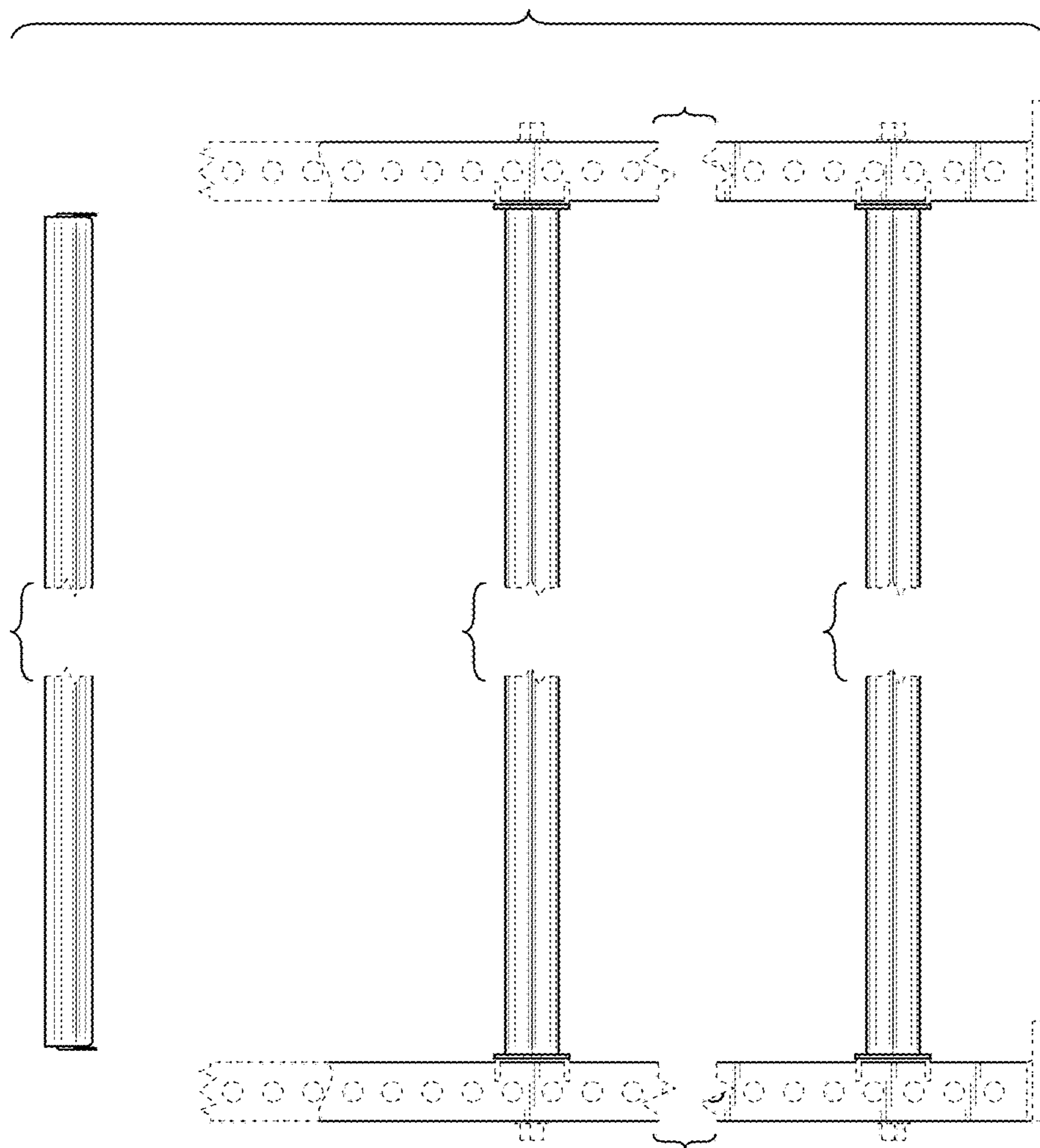


FIG. 2

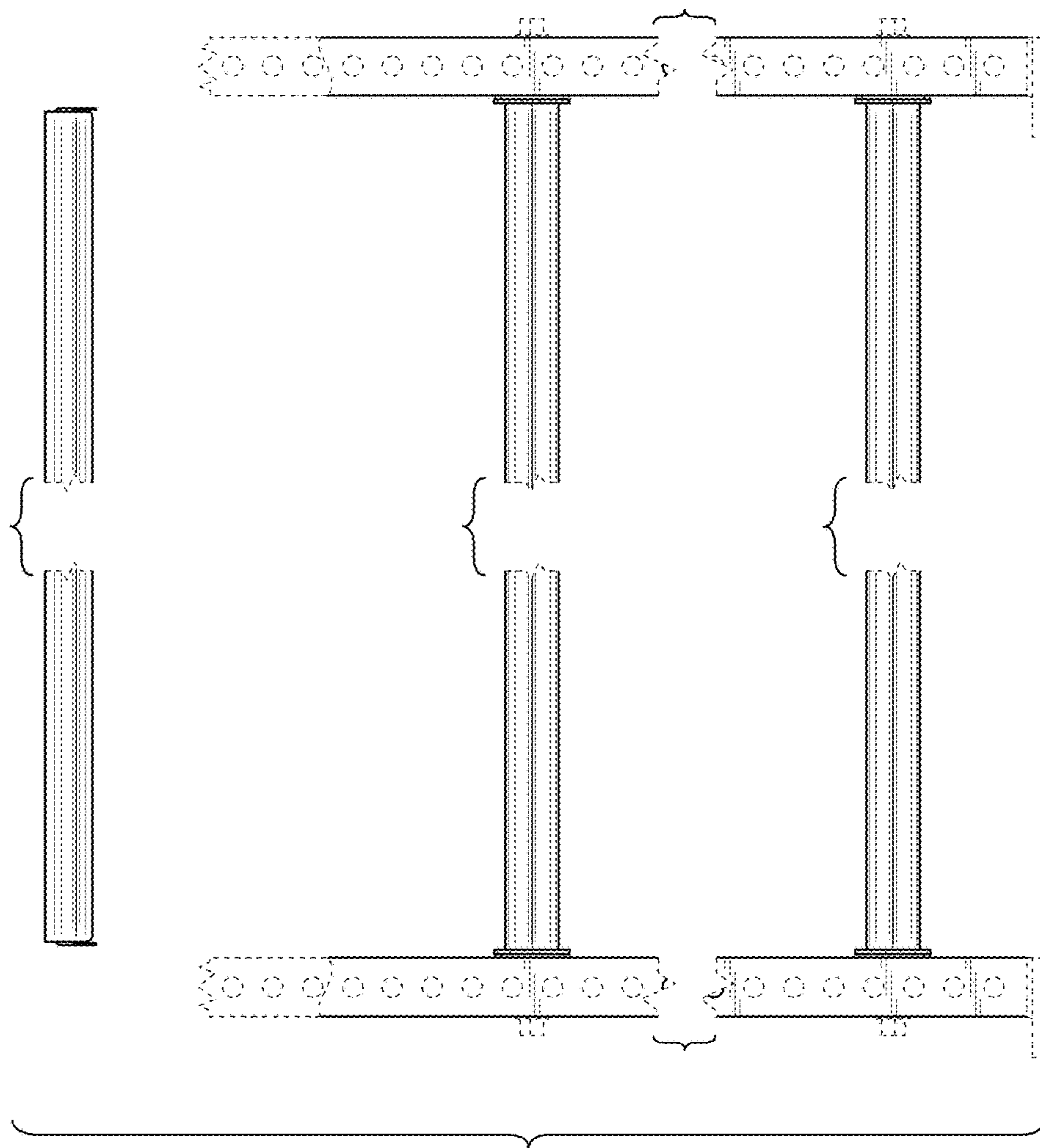


FIG. 3

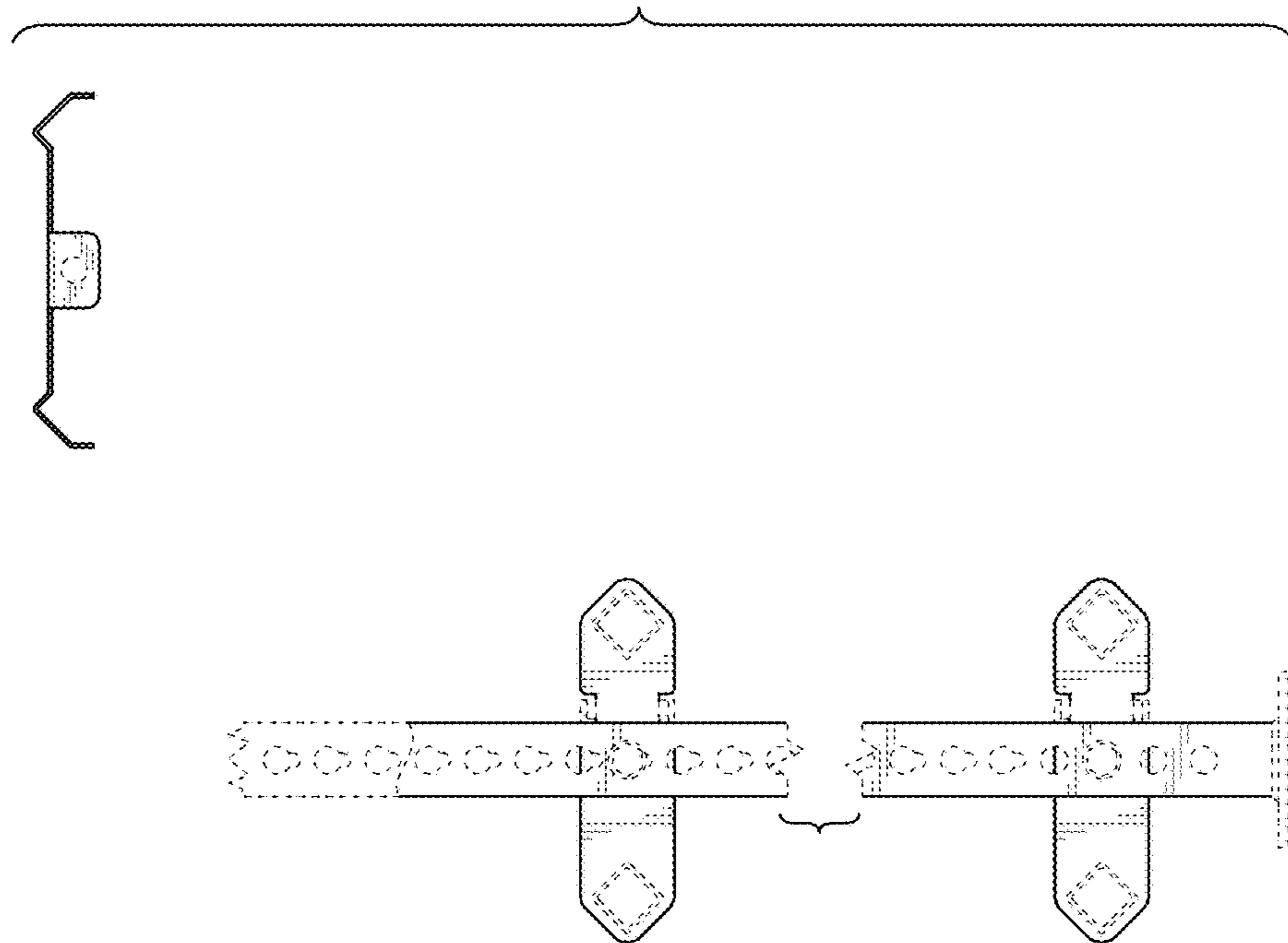


FIG. 4

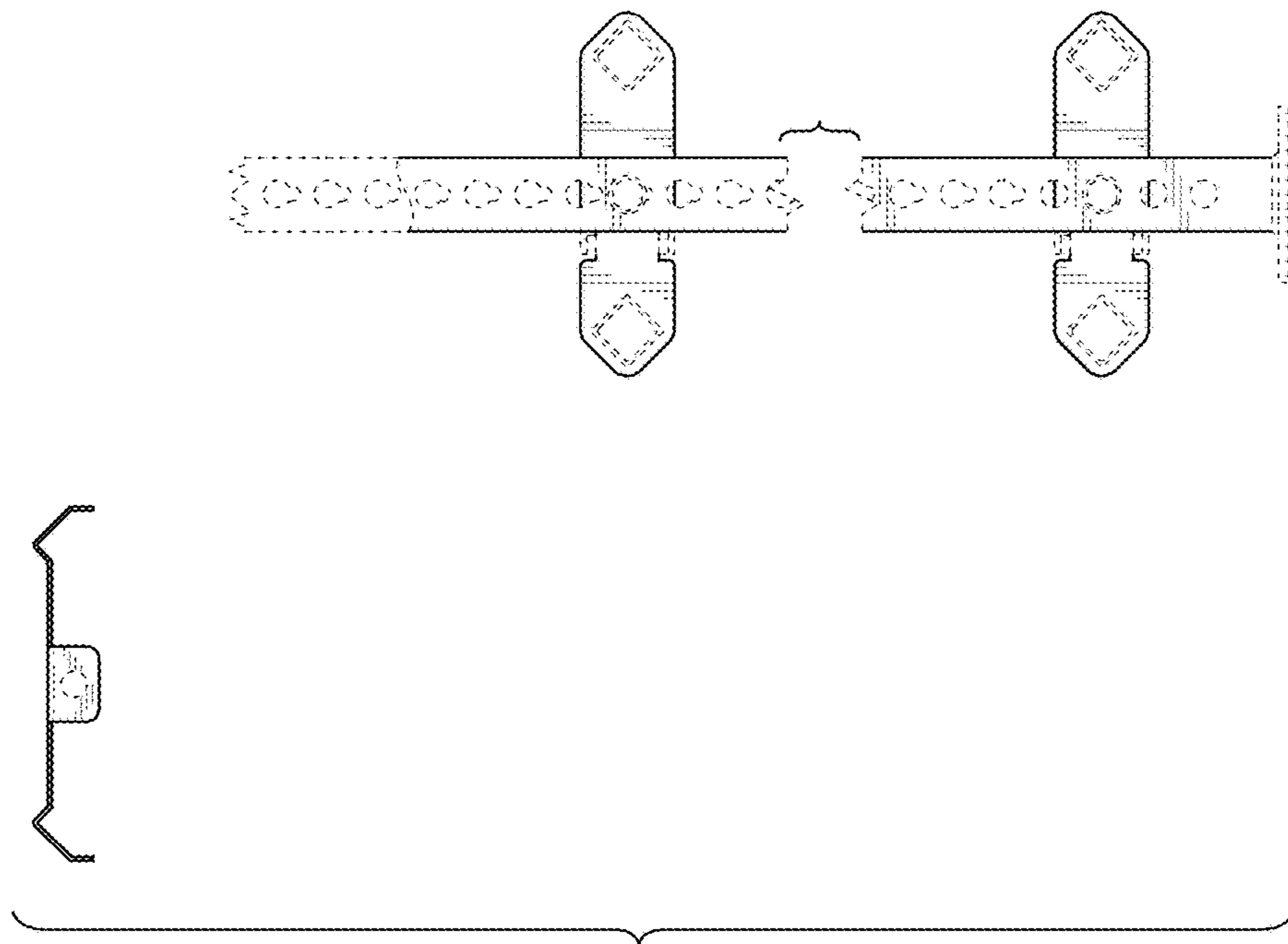


FIG. 5

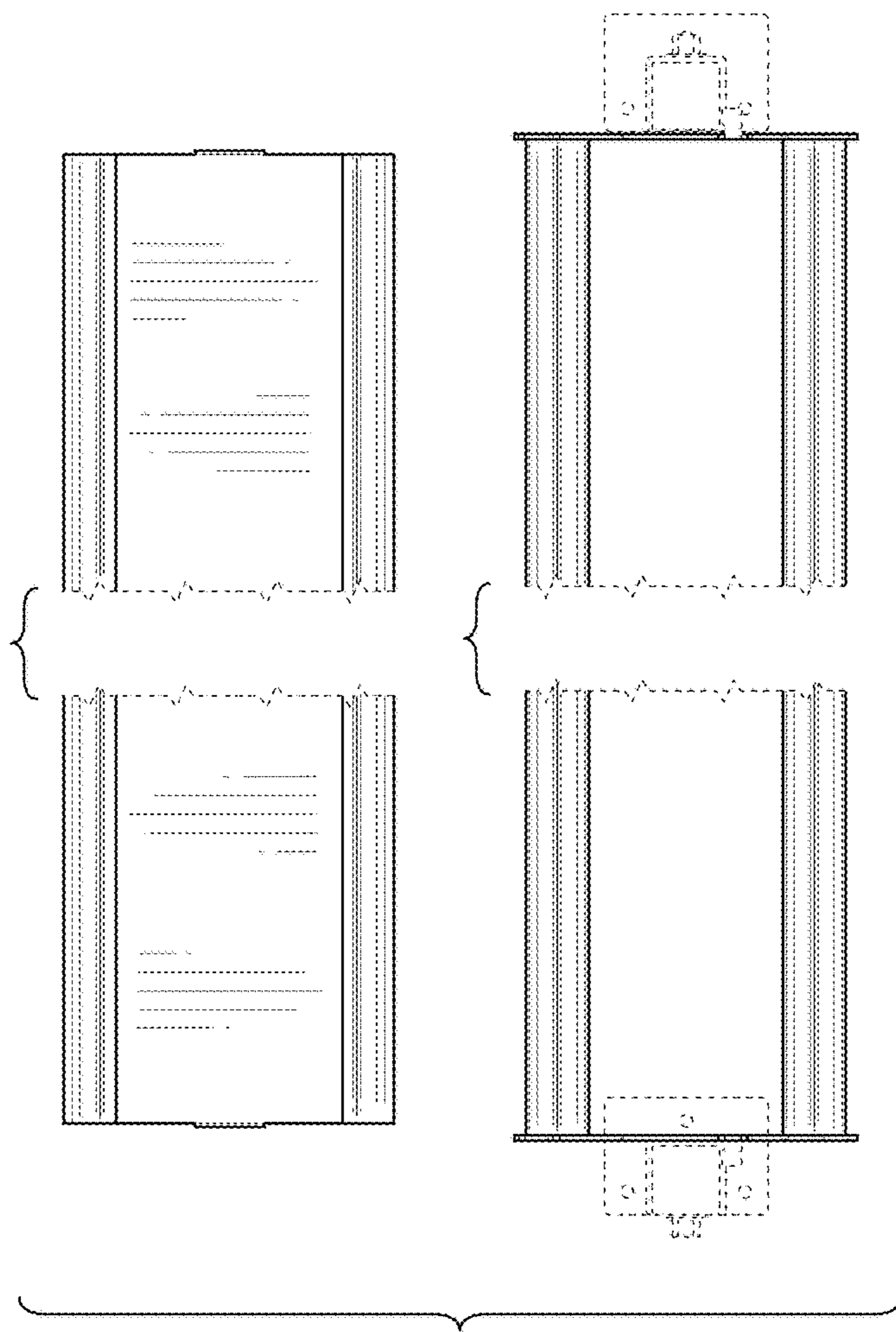


FIG. 6

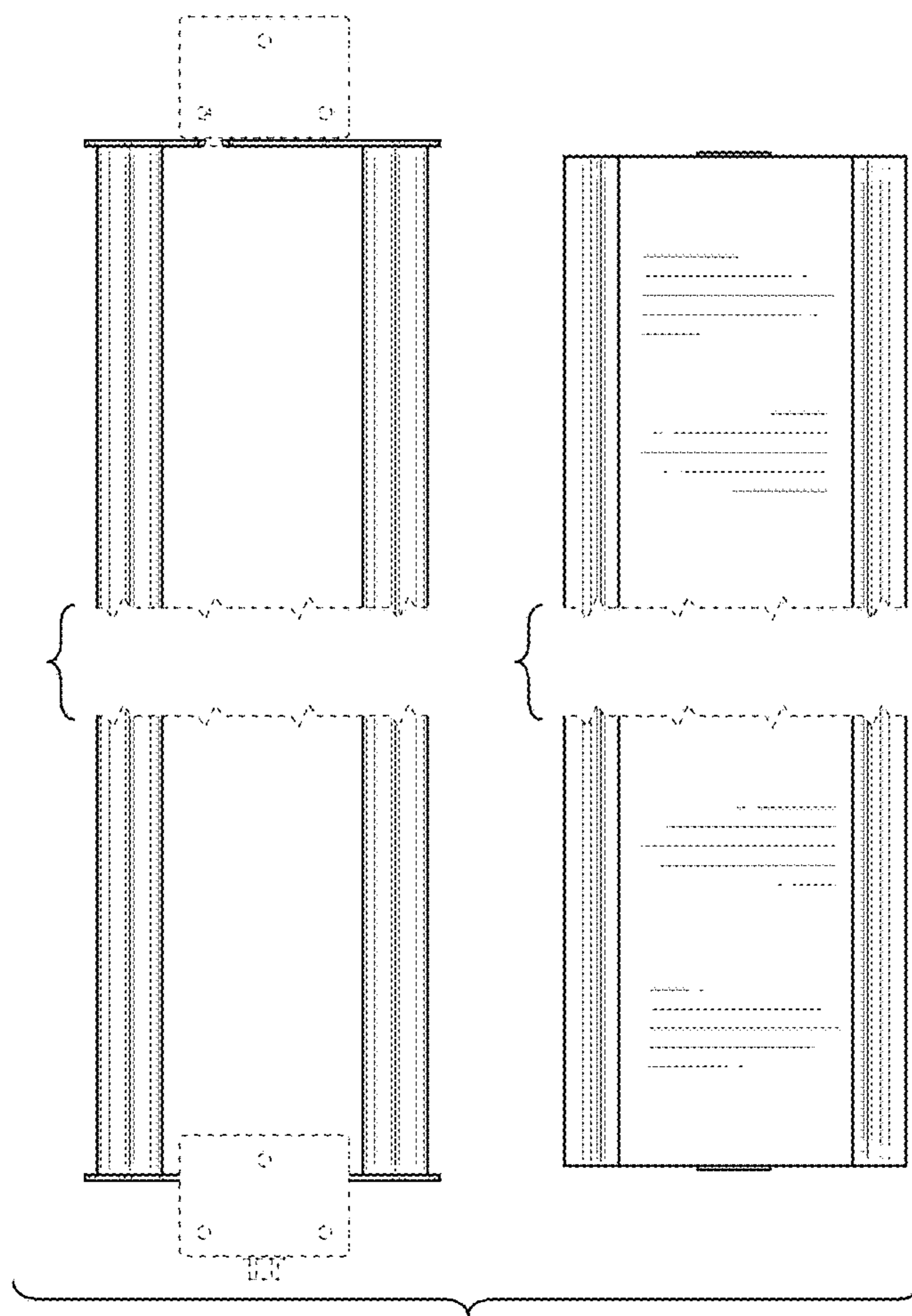


FIG. 7

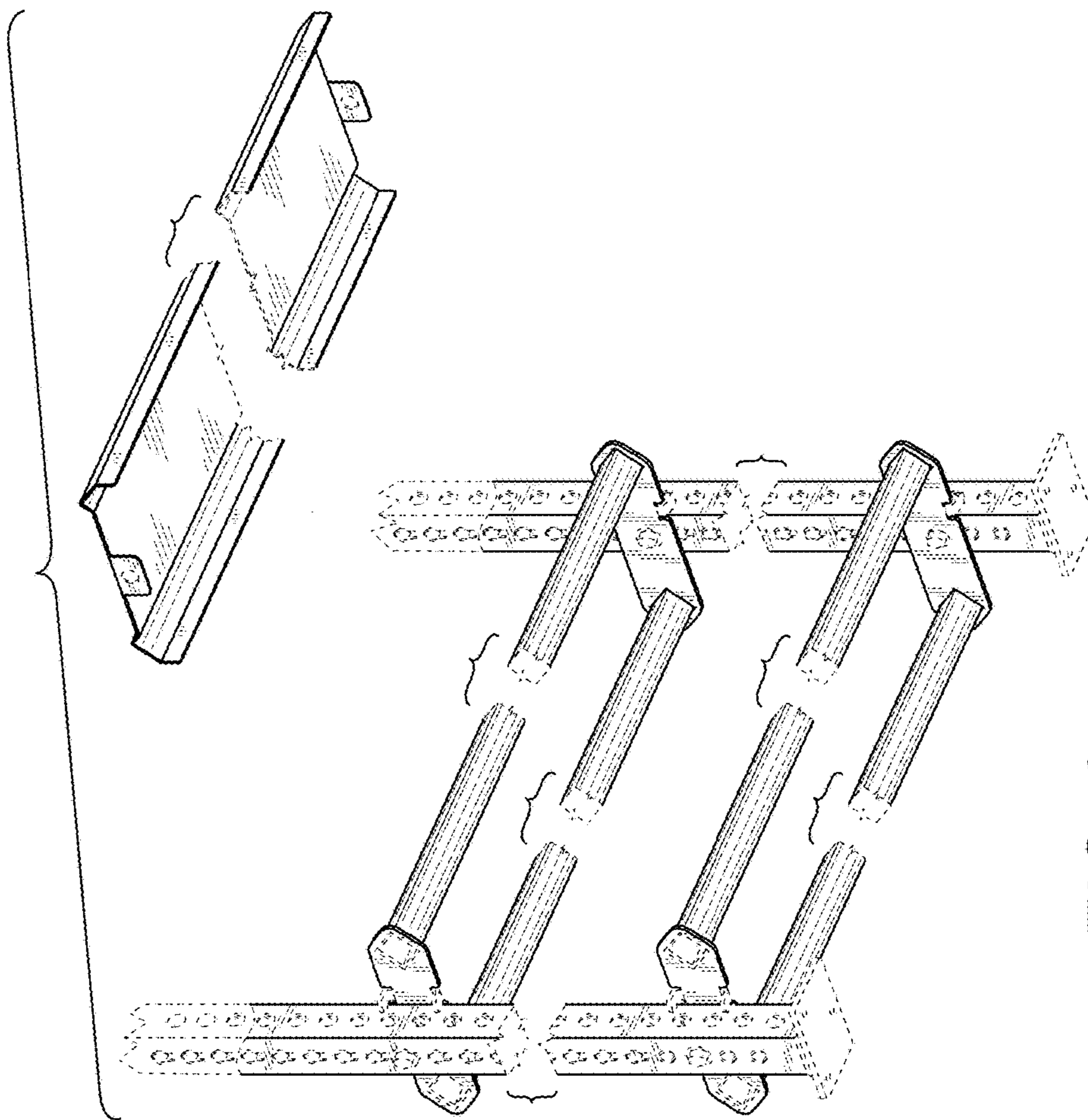


FIG. 8