

US00D862135S

(12) **United States Design Patent** (10) **Patent No.:** **US D862,135 S**  
**Birch** (45) **Date of Patent:** **\*\* Oct. 8, 2019**

(54) **DRESSER**  
(71) Applicant: **RH US, LLC**, Corte Madera, CA (US)  
(72) Inventor: **John Birch**, New York, NY (US)  
(73) Assignee: **RH US, LLC**, Corte Madera, CA (US)  
(\*\*) Term: **15 Years**

D501,736 S \* 2/2005 Kirkpatrick ..... D6/671.1  
D503,564 S \* 4/2005 Juneau ..... D6/671.1  
D508,347 S \* 8/2005 Juneau ..... D6/671.1  
D519,299 S \* 4/2006 Boudreau ..... D6/657  
D526,814 S \* 8/2006 Juneau ..... D6/671.1  
D533,732 S \* 12/2006 Juneau ..... D6/671.1  
D542,057 S \* 5/2007 Juneau ..... D6/671.1  
9,204,721 B2 \* 12/2015 Gasser ..... A47B 88/40  
D791,516 S \* 7/2017 Everson ..... D6/671.1

(Continued)

(21) Appl. No.: **29/634,793**  
(22) Filed: **Jan. 24, 2018**  
(51) **LOC (12) Cl.** ..... **06-04**  
(52) **U.S. Cl.**  
USPC ..... **D6/671**  
(58) **Field of Classification Search**  
USPC ..... D6/657, 659, 661, 663, 669, 671, 671.1,  
D6/683.1, 672, 673, 675, 662, 675.1  
CPC ..... A47B 31/00; A47B 46/00; A47B 47/00;  
A47B 47/022; A47B 47/05; A47B 47/02;  
A47B 47/04; A47B 47/0066; A47B  
47/024; A47B 55/00; A47B 71/00; A47B  
67/00; A47B 67/02; A47B 67/04; A47B  
73/00; A47B 81/00; A47B 43/00; A47B  
43/04; A47B 45/00; A47B 61/00; A47B  
61/06; A47B 79/00; A47F 3/00; A47F  
3/001; A47F 3/005; A47F 3/0434; A47F  
5/08; A47F 7/0078

See application file for complete search history.

(56) **References Cited**

**U.S. PATENT DOCUMENTS**

3,971,608 A \* 7/1976 Gans ..... A47B 47/04  
312/257.1  
D241,293 S \* 9/1976 Introini ..... D6/671.1  
D243,901 S \* 4/1977 Carter ..... D6/671.1  
D243,981 S \* 4/1977 Carter ..... D6/671.1  
D350,042 S \* 8/1994 Shepherd ..... D6/671  
D401,443 S \* 11/1998 Zaidman ..... D6/671.1  
D413,030 S \* 8/1999 Wanek ..... D6/671.1  
D494,774 S \* 8/2004 de Blois ..... D6/671.1

**OTHER PUBLICATIONS**

Unej Bedroom Furniture. <https://www.unej.me/w15106K/>. Dresser.  
Date unknown: Viewed Jul. 21, 2019 (Year: 2019).\*

(Continued)

*Primary Examiner* — R. Johnson  
(74) *Attorney, Agent, or Firm* — Lewis Roca Rothgerber  
Christie LLP

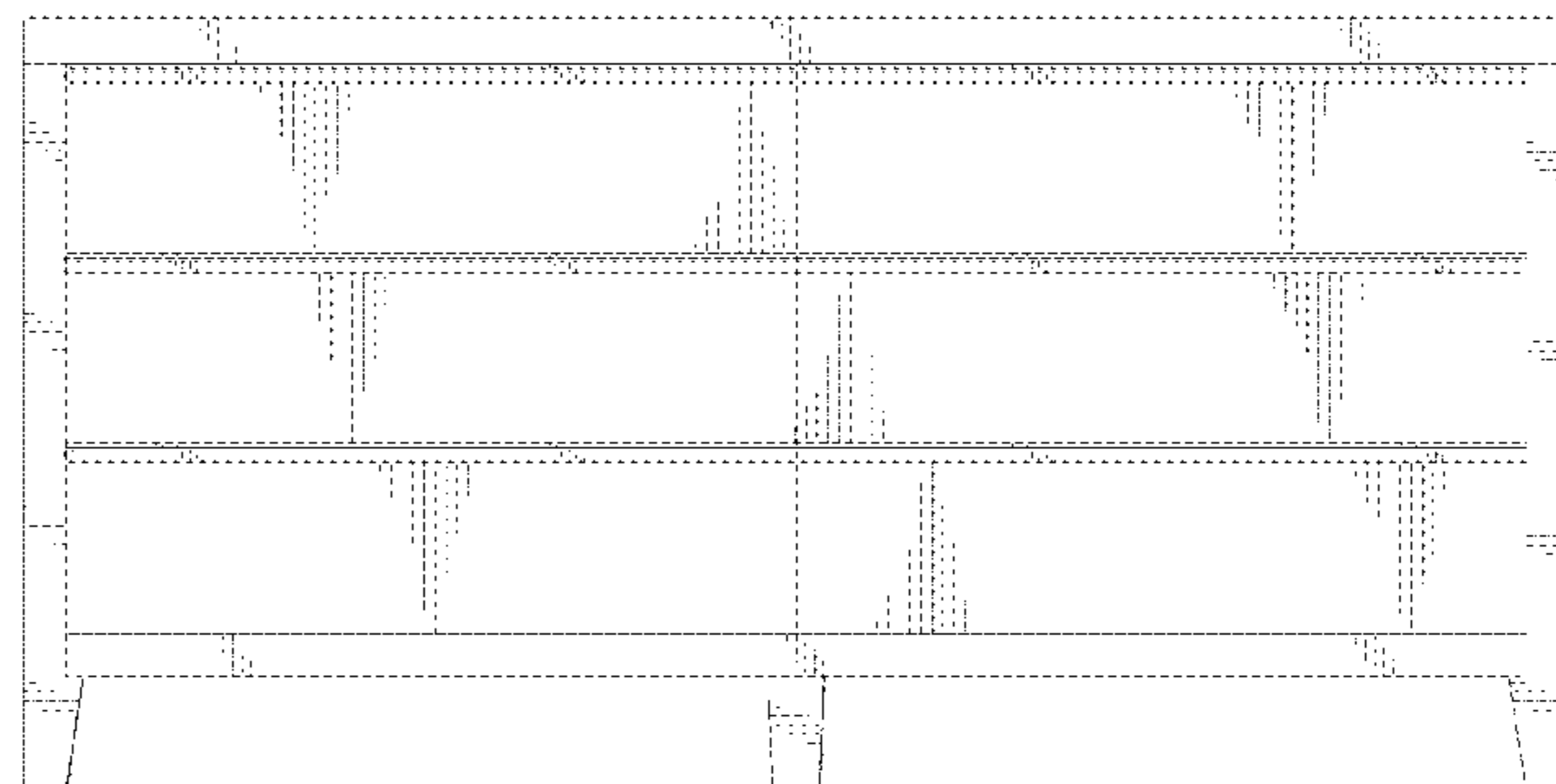
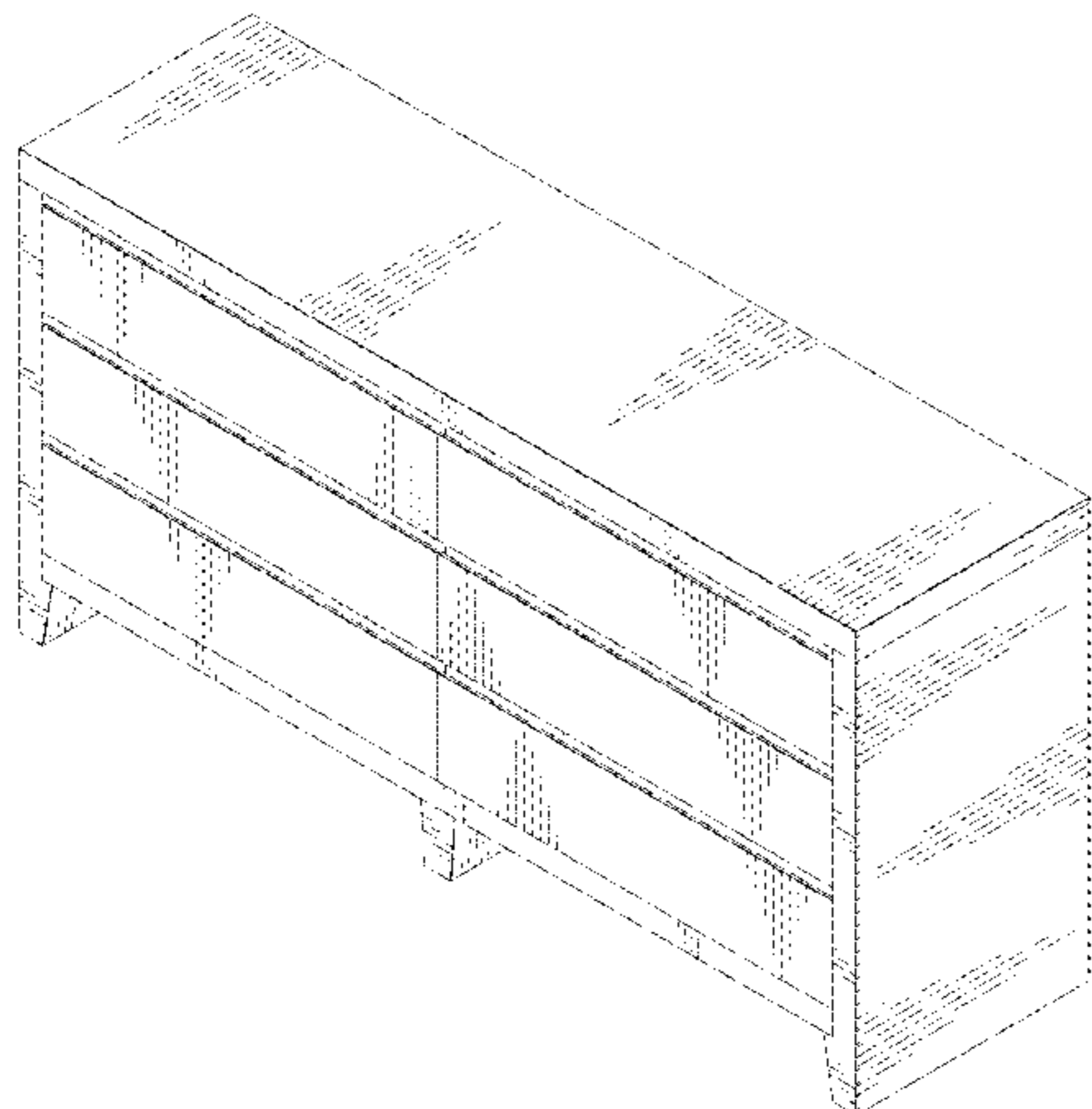
(57) **CLAIM**

The ornamental design for a dresser, as shown and described.

**DESCRIPTION**

FIG. 1 is a front, right perspective view of a dresser showing a first embodiment of my new design;  
FIG. 2 is a front elevation view thereof;  
FIG. 3 is a right side elevation view thereof, the left side being a mirror image;  
FIG. 4 is a top plan view thereof;  
FIG. 5 is a front, right perspective view of a dresser showing a second embodiment of my new design;  
FIG. 6 is a front elevation view thereof;  
FIG. 7 is a right side elevation view thereof, the left side being a mirror image; and,  
FIG. 8 is a top plan view thereof.  
The broken lines show environmental subject matter and form no part of the claimed design.

**1 Claim, 8 Drawing Sheets**



(56)

**References Cited**

U.S. PATENT DOCUMENTS

D816,734 S \* 5/2018 Kim ..... D15/79  
D818,745 S \* 5/2018 Hannoosh ..... D6/671.1  
D821,457 S \* 6/2018 Kim ..... D15/79  
2004/0055980 A1 \* 3/2004 Krieger ..... A47B 45/00  
211/86.01  
2013/0126452 A1 \* 5/2013 Lo ..... A47B 67/04  
211/79

OTHER PUBLICATIONS

Hedge House Furniture. <https://hedgehousefurniture.com/shop/hayward-dresser/>. "Hayward Dresser". Apr. 2019 (Year: 2019).\*  
The Room Place. <https://www.theroomplace.com/Ethan-Dresser/p/21001178101>. "Ethan Dresser". Date Unknown: Viewed Jul. 2019 (Year: 2019).\*

\* cited by examiner

FIG. 1

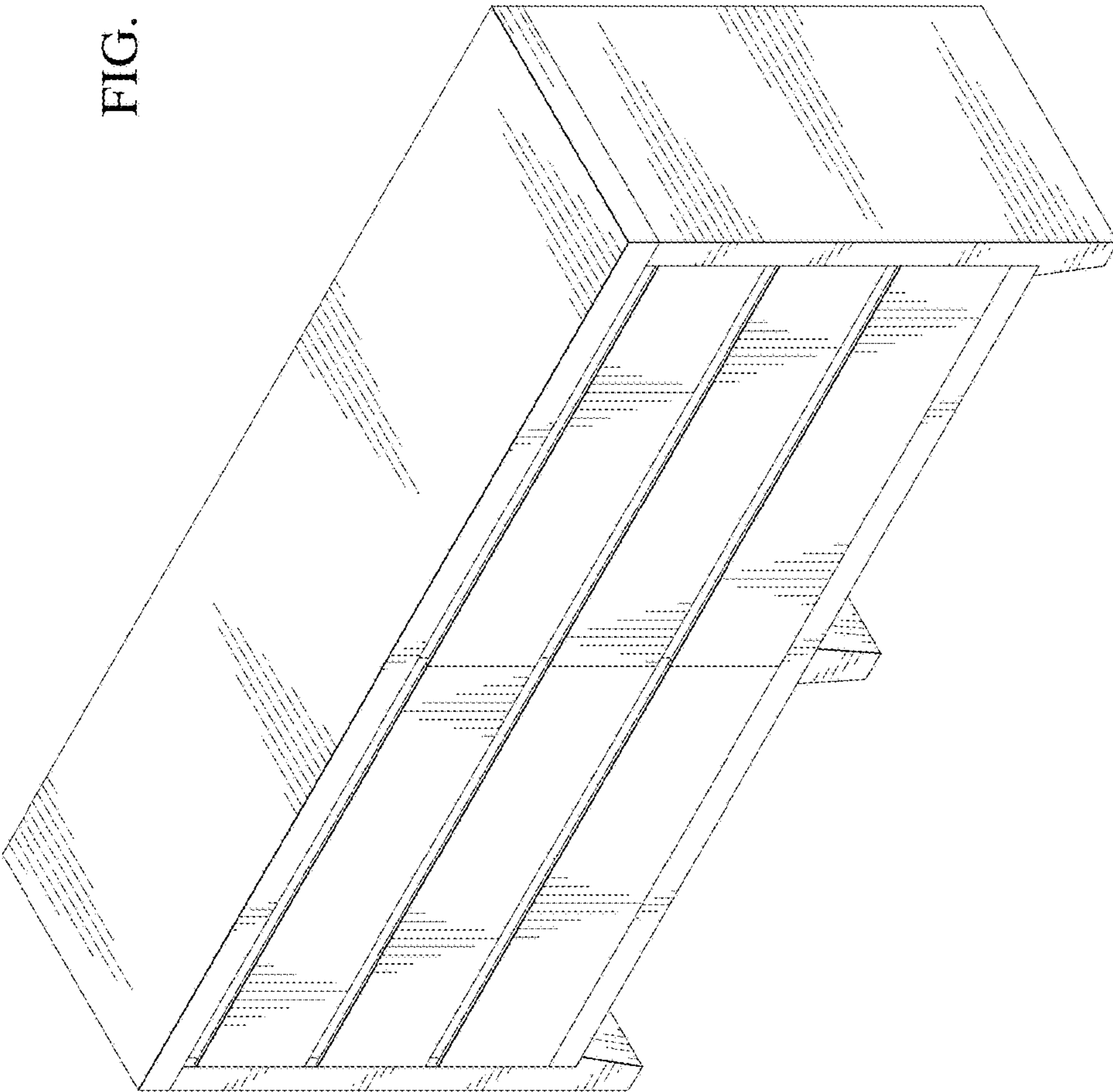


FIG. 2

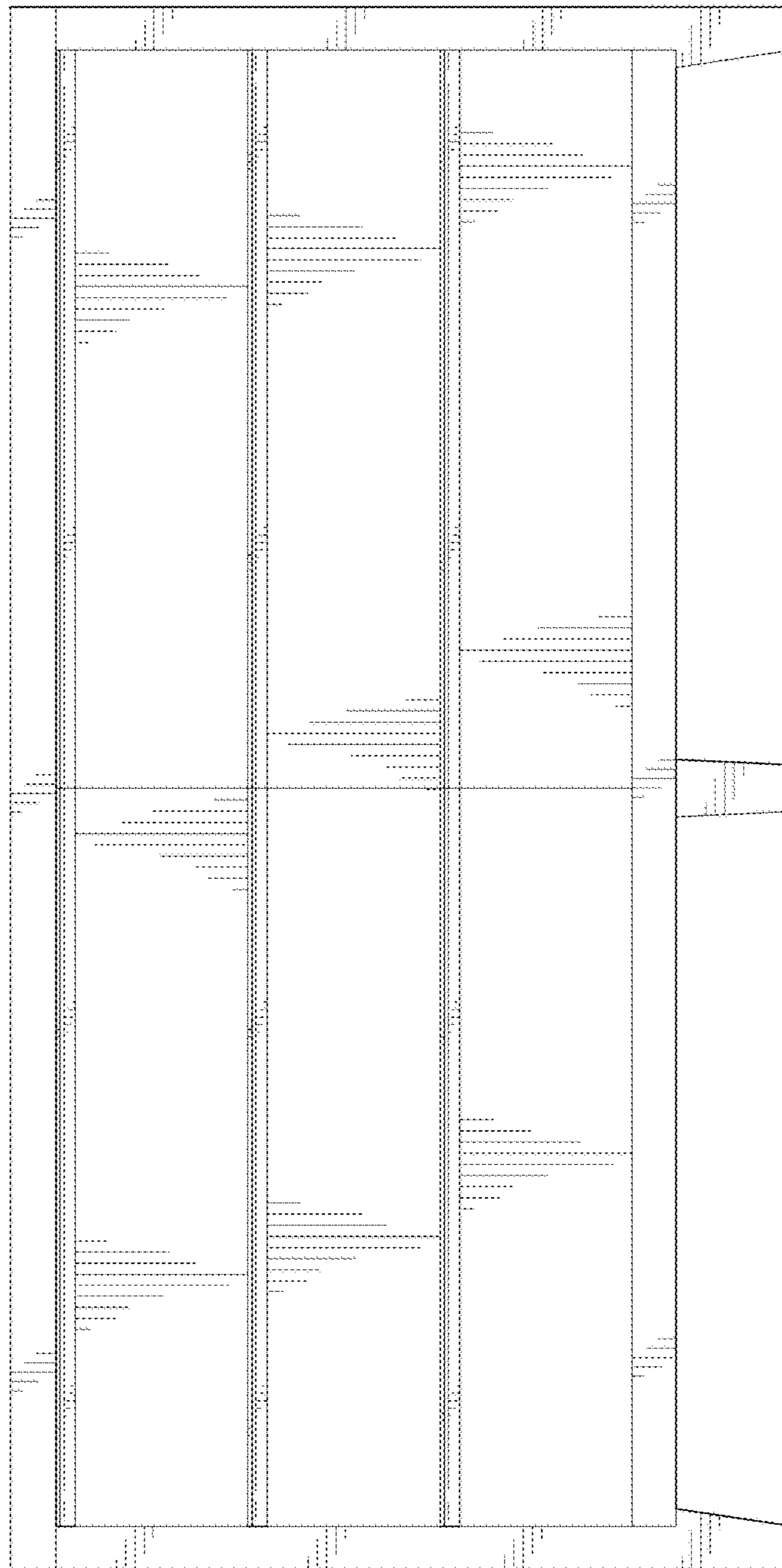


FIG. 3

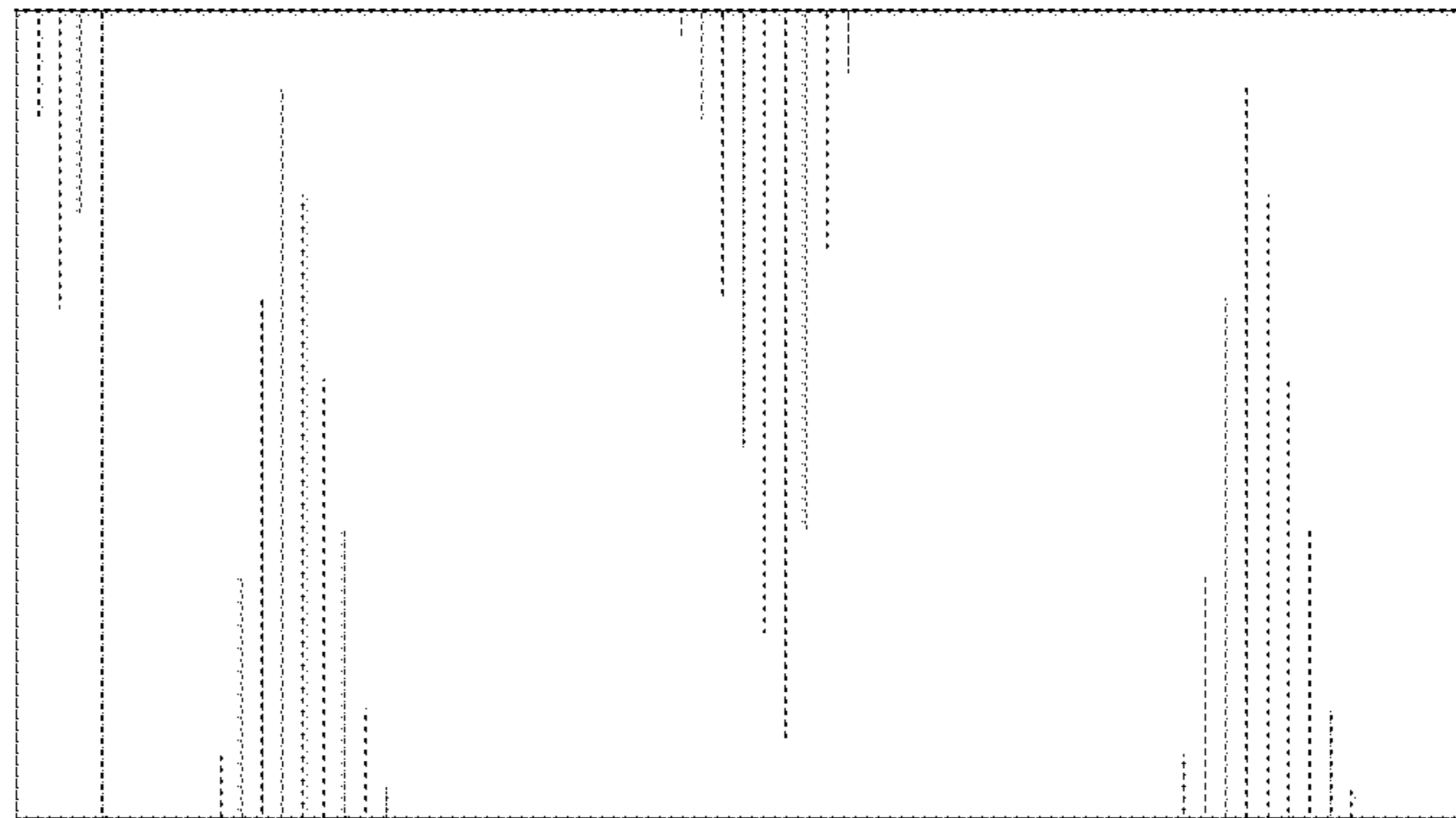


FIG. 4

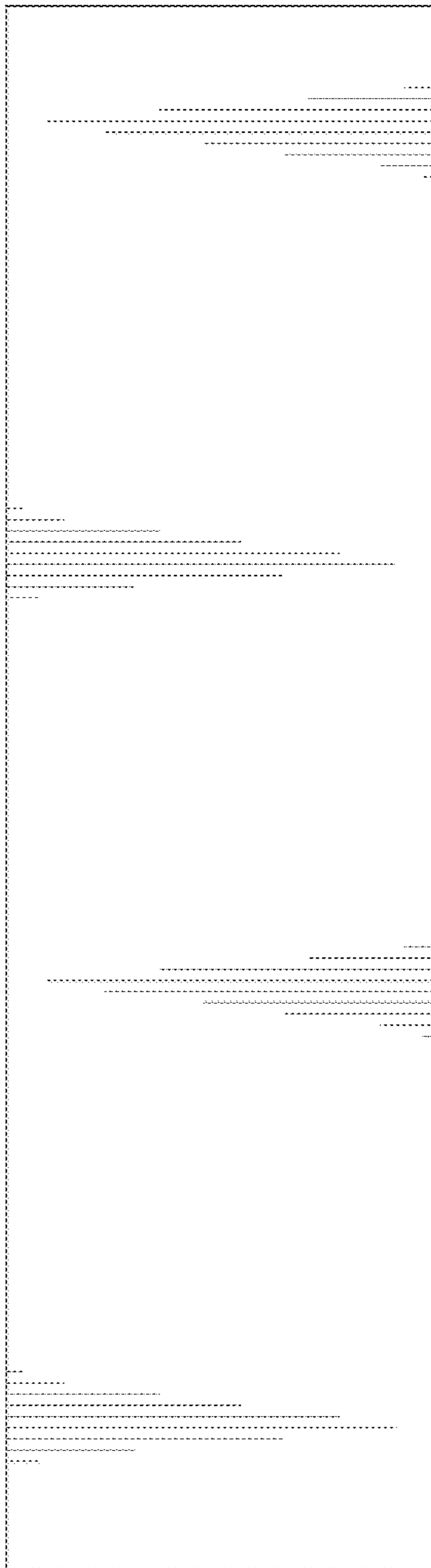


FIG. 5

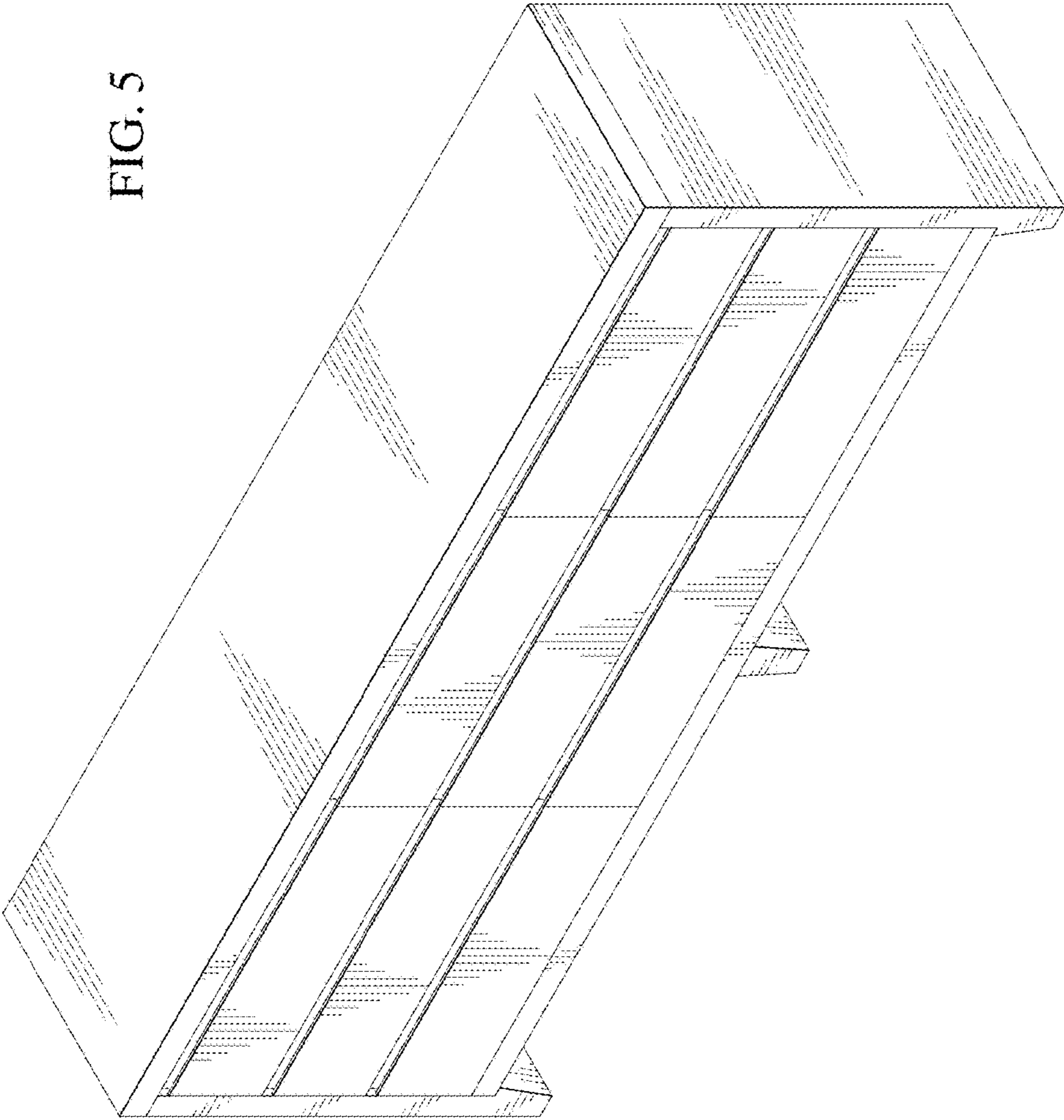


FIG. 6

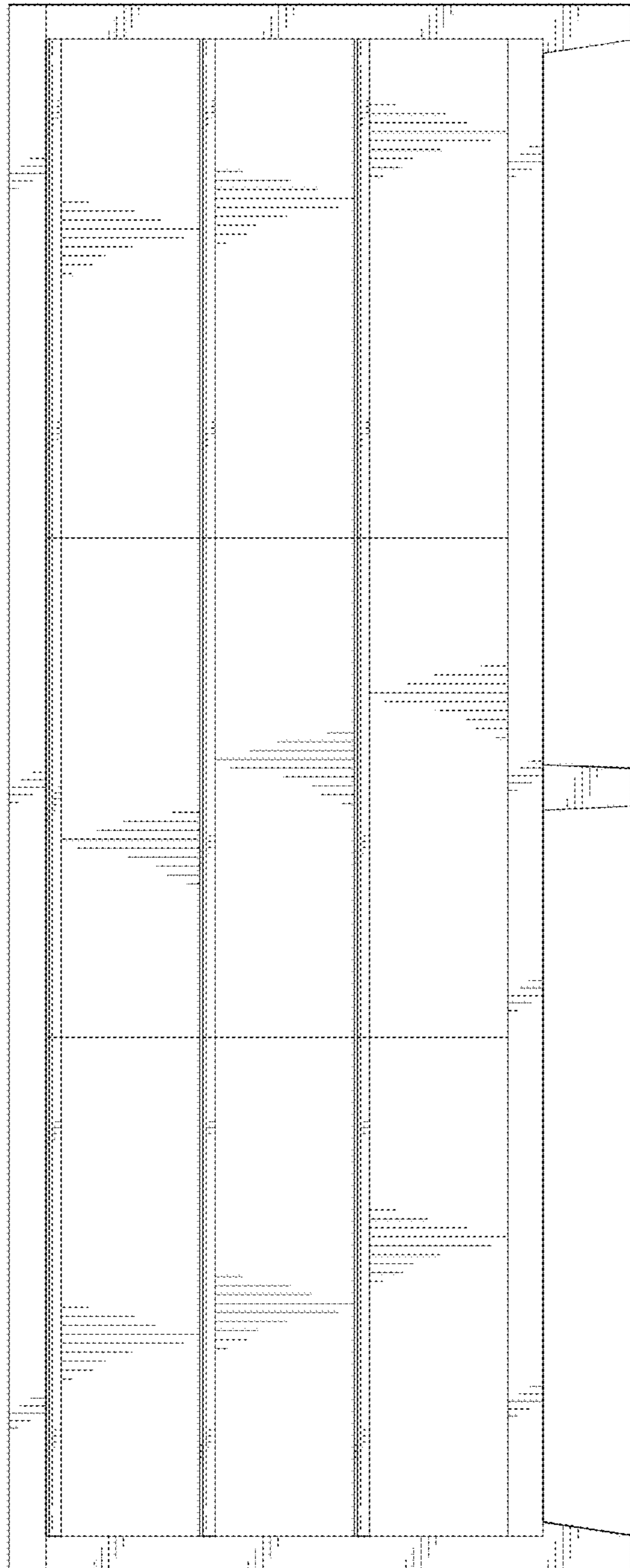




FIG. 7

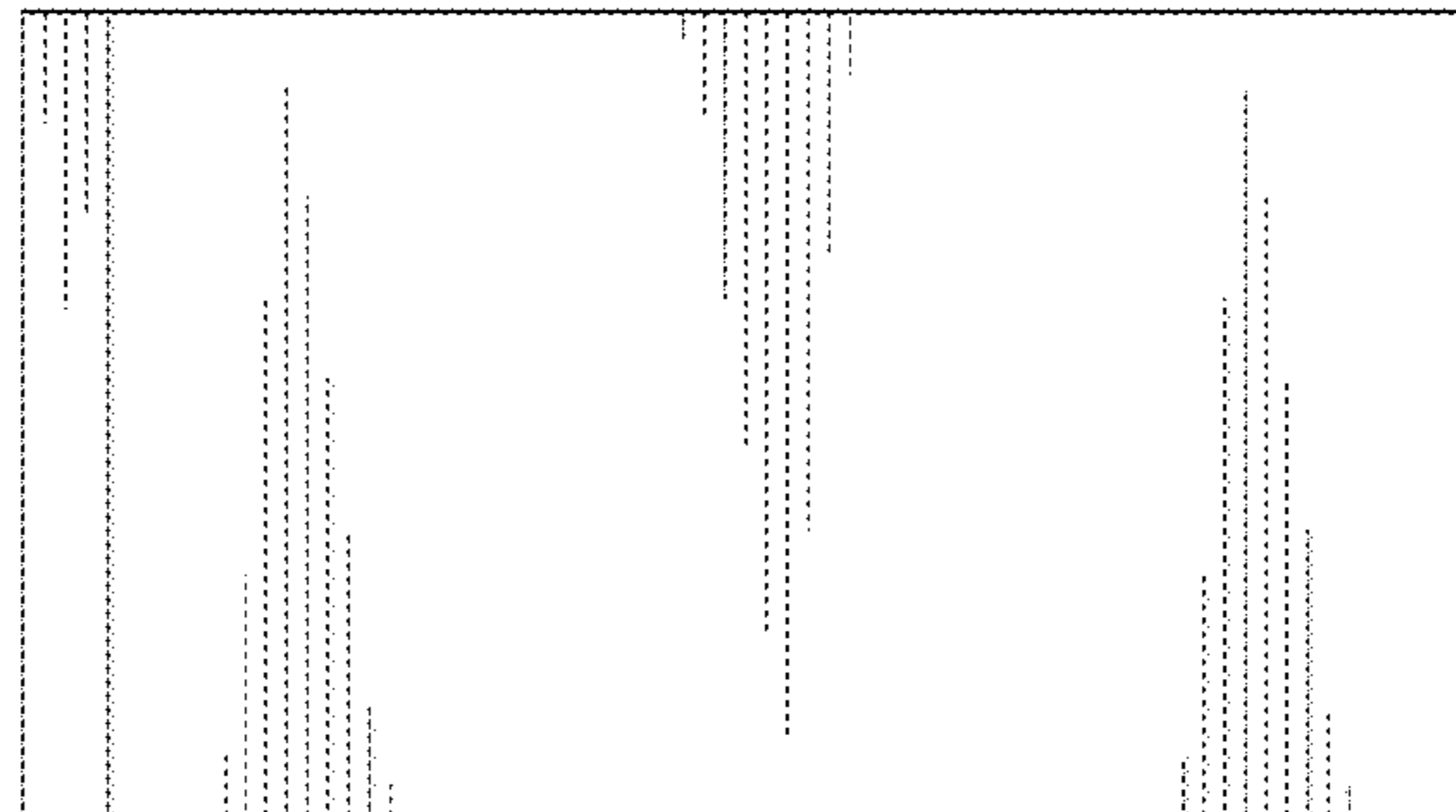


FIG. 8

