



US00D862130S

(12) **United States Design Patent** (10) **Patent No.:** **US D862,130 S**  
**Altemimeï** (45) **Date of Patent:** **\*\* Oct. 8, 2019**

(54) **FURNITURE WITH DRAWERS**

(71) Applicant: **DA International, Inc.**, Orland Park, IL (US)

(72) Inventor: **Raad Altemimeï**, Orland Park, IL (US)

(73) Assignee: **DA International, Inc.**, Orland Park, IL (US)

(\*\*) Term: **15 Years**

(21) Appl. No.: **29/621,653**

(22) Filed: **Oct. 10, 2017**

(51) **LOC (12) Cl.** ..... **06-04**

(52) **U.S. Cl.**  
USPC ..... **D6/663**

(58) **Field of Classification Search**

USPC ..... D6/302, 310, 661, 663, 668.1, 668.2, D6/669, 671, 671.1, 671.2, 705; D5/15, D5/16, 28, 29, 99; D25/48.4, 113, 163  
 CPC ..... A47B 55/02; A47B 3/00; A47B 81/005; A47B 81/00; A47B 67/02; A47B 77/02; A47B 47/05; A47B 47/024; A47B 47/0066; A47B 87/005; A47B 87/0292; A47B 43/00; A47B 88/49; A47B 88/90; A47G 1/12; A47G 1/10; A47G 1/06; A47G 1/0616; A47F 3/002; A47F 3/0413; A47F 5/08; A47F 5/116; A47F 5/0018; A45C 11/16; B42F 17/00; E05C 19/001; E05C 3/042; E05C 7/04; F25D 21/14; F25D 23/02; F25D 23/069; F25D 2400/10; F25D 2400/18; G09F 1/12; G09F 9/10; G09F 15/0012; H05K 9/0062; Y10T 428/24694; Y10T 403/73; B01D 3/148; B22F 3/1055; B60N 2/60; B60N 2/2881; B60N 2/6018; B60N 2/6036; E05B 53/001; E05F 1/006; E06B 3/7001

See application file for complete search history.

(56) **References Cited**

U.S. PATENT DOCUMENTS

D3,074 S \* 6/1868 Howell ..... D6/661  
 D99,046 S 3/1936 Rettich  
 D103,694 S \* 3/1937 Schless ..... D6/310  
 D139,338 S 11/1944 George

(Continued)

*Primary Examiner* — Kevin K Rudzinski

*Assistant Examiner* — Paul D Bohannon

(74) *Attorney, Agent, or Firm* — Greensfelder, Hemker & Gale, P.C.

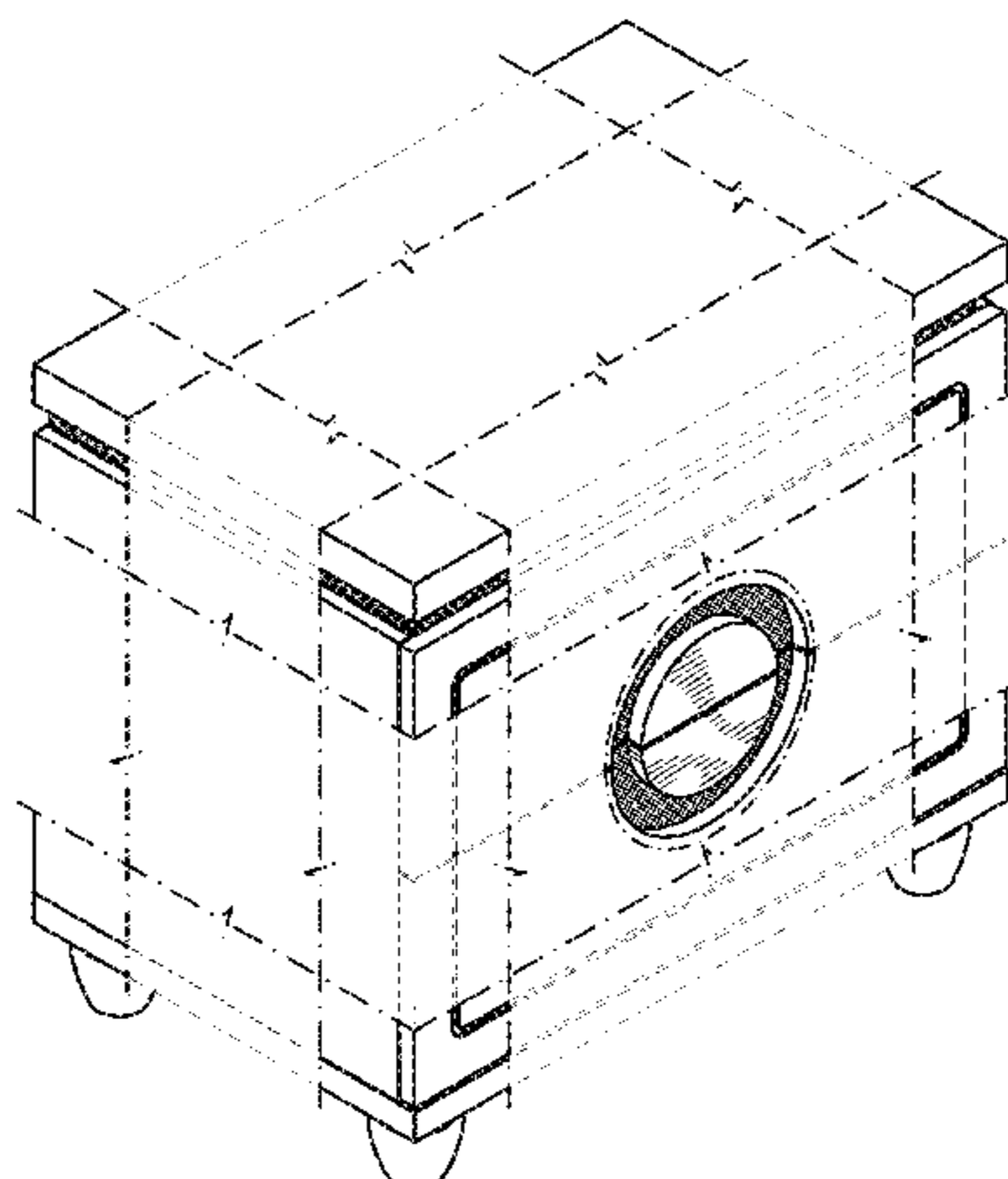
(57) **CLAIM**

I claim the ornamental design for furniture with drawers, as shown and described.

**DESCRIPTION**

FIG. 1 is a front perspective view of the furniture with drawers in accordance with the present invention;  
 FIG. 2 is a top plan view of the furniture with drawers of FIG. 1;  
 FIG. 3 is a front elevation view of the furniture with drawers of FIG. 1;  
 FIG. 4 is a first side elevation view of the furniture with drawers of FIG. 1;  
 FIG. 5 is a back elevation view of the furniture with drawers of FIG. 1;  
 FIG. 6 is a second side elevation view of the furniture with drawers of FIG. 1;  
 FIG. 7 is a bottom plan view of the furniture with drawers of FIG. 1;  
 FIG. 8 is an enlarged view of a portion of a circular handle of 8-8 of FIG. 3; and,  
 FIG. 9 is an enlarged view of a portion of a jewel-filled channel of 9-9 of FIG. 3.  
 The dash-dash broken lines shown in the drawings represent portions of the article that form no part of the claimed

(Continued)



design. The dash-dot broken lines shown encircling the front circular feature of the claim represent boundaries of the claim and form no part thereof.

**1 Claim, 3 Drawing Sheets**

(56)

**References Cited**

U.S. PATENT DOCUMENTS

D149,378 S 4/1948 Rummelsburg  
 D160,571 S 10/1950 Belanger  
 2,601,734 A \* 7/1952 Couzinet ..... A01B 59/06  
 160/395  
 D173,938 S 2/1955 Dailey  
 2,717,505 A \* 9/1955 Andersson ..... F25D 21/14  
 220/23.83  
 2,799,145 A \* 7/1957 Jansen ..... F25D 21/14  
 211/134  
 D194,782 S 3/1963 Watt, Jr.  
 D199,051 S 9/1964 Stone  
 3,159,416 A 12/1964 Schlage  
 D201,987 S 8/1965 Webster  
 3,813,800 A \* 6/1974 Turner ..... A47G 1/08  
 40/781  
 D240,547 S 7/1976 Stanley et al.  
 4,070,780 A \* 1/1978 Rosenberg ..... A47G 1/065  
 40/729  
 4,136,470 A \* 1/1979 Barz ..... A47G 1/10  
 40/782  
 4,833,803 A \* 5/1989 Schwartz ..... A47G 1/10  
 40/783  
 5,361,522 A \* 11/1994 Green ..... A47G 1/0616  
 239/58  
 5,524,370 A \* 6/1996 Roy ..... A47G 1/06  
 40/748  
 5,659,991 A \* 8/1997 Kennedy ..... A47G 1/06  
 40/729  
 D386,383 S 11/1997 Lougee  
 5,732,496 A \* 3/1998 Tanaka ..... A47G 1/0611  
 40/784  
 D393,162 S 4/1998 Bargagli-Stoffi

D441,576 S 5/2001 Foster  
 D455,640 S 4/2002 Hansen  
 6,532,778 B2 3/2003 Molzer et al.  
 D492,502 S 7/2004 Domack  
 D497,098 S 10/2004 Magnusson  
 D521,768 S 5/2006 Black  
 D527,926 S 9/2006 Domack et al.  
 D554,388 S 11/2007 Leigh  
 D567,061 S 4/2008 Paige et al.  
 D578,373 S 10/2008 Paige et al.  
 D581,767 S 12/2008 Thompson  
 D586,162 S 2/2009 Schmitt  
 D625,165 S 10/2010 King  
 D631,272 S 1/2011 O'Brien et al.  
 D632,112 S 2/2011 Sakuma  
 D674,630 S 1/2013 Schmitt  
 D675,848 S 2/2013 Roser, Jr.  
 D691,019 S 10/2013 Sakuma  
 D702,473 S 4/2014 Litt  
 D720,981 S 1/2015 Kaishian et al.  
 D734,052 S 7/2015 Glattstein et al.  
 D734,053 S 7/2015 Glattstein et al.  
 D771,428 S 11/2016 Schmitt  
 D772,631 S 11/2016 Schmitt  
 D785,706 S \* 5/2017 Hoch ..... D19/113  
 D790,890 S \* 7/2017 Everson ..... D6/671.1  
 D826,685 S \* 8/2018 Altemimei ..... D8/313  
 D827,409 S \* 9/2018 Altemimei ..... D8/310  
 D834,858 S \* 12/2018 Altemimei ..... D6/671.1  
 D837,555 S \* 1/2019 Altemimei ..... D6/393  
 D837,556 S \* 1/2019 Altemimei ..... D6/394  
 D840,179 S 2/2019 Altemimei  
 D840,180 S 2/2019 Altemimei  
 D841,371 S 2/2019 Altemimei  
 D843,127 S 3/2019 Altemimei  
 D843,138 S 3/2019 Altemimei  
 2005/0129460 A1 \* 6/2005 Medcalf ..... E06B 3/5454  
 403/403  
 2008/0259573 A1 \* 10/2008 Besserer ..... G09F 1/12  
 361/724  
 2009/0079311 A1 3/2009 Lai  
 2010/0043268 A1 \* 2/2010 Powell ..... A47G 1/10  
 40/741  
 2015/0272350 A1 \* 10/2015 Frankenstein ..... A47G 1/06  
 40/711

\* cited by examiner

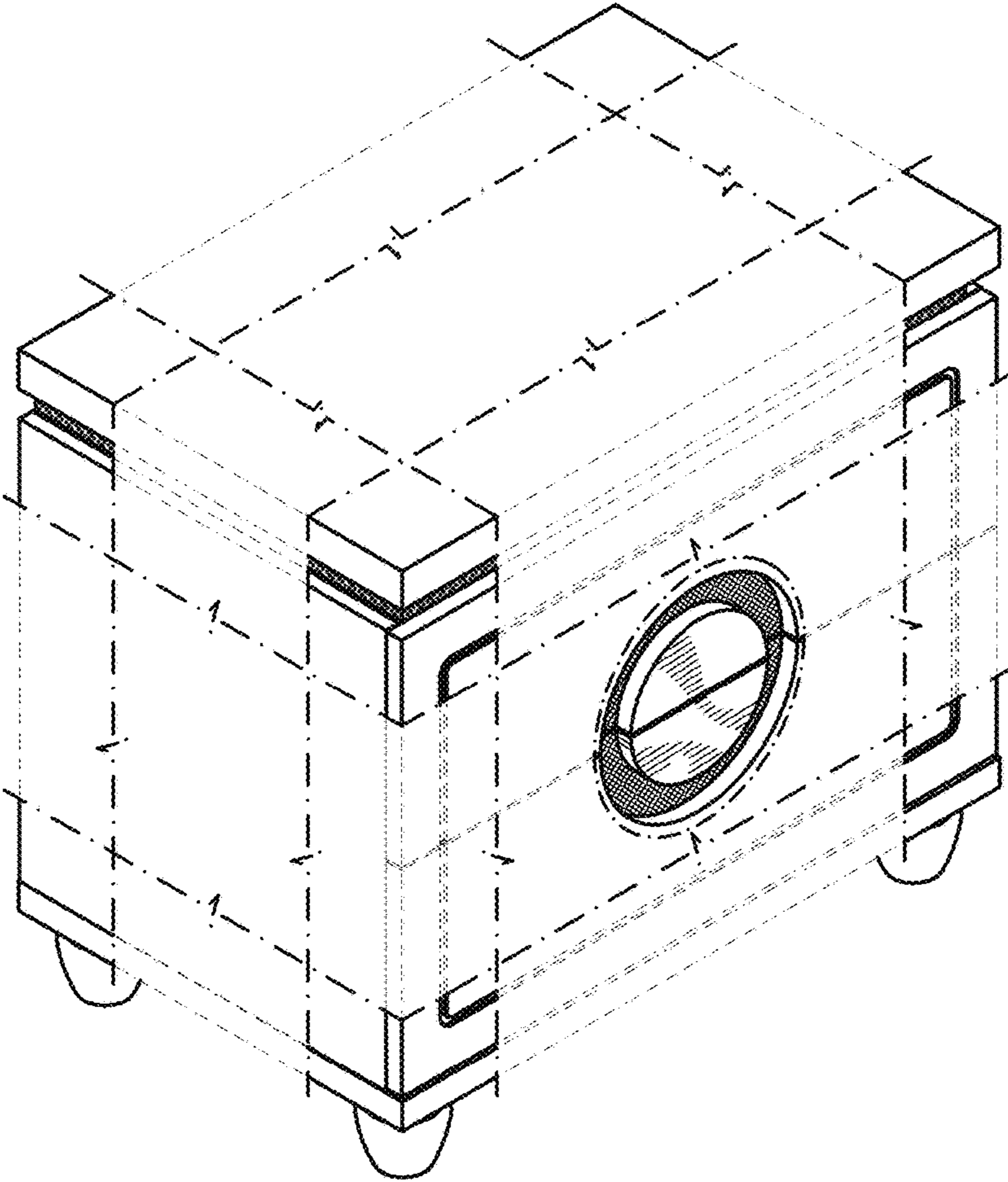


FIG. 1

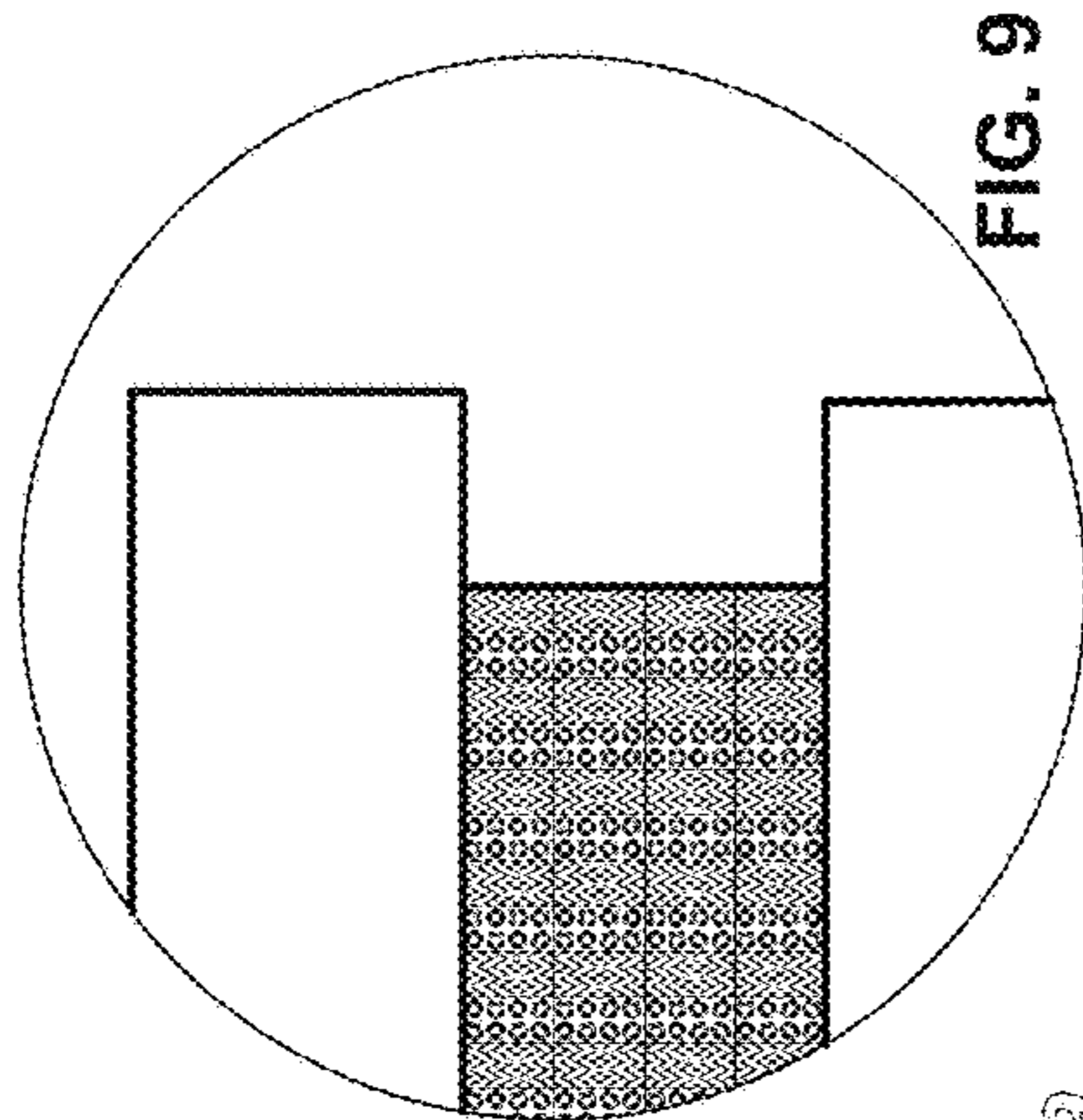


FIG. 9

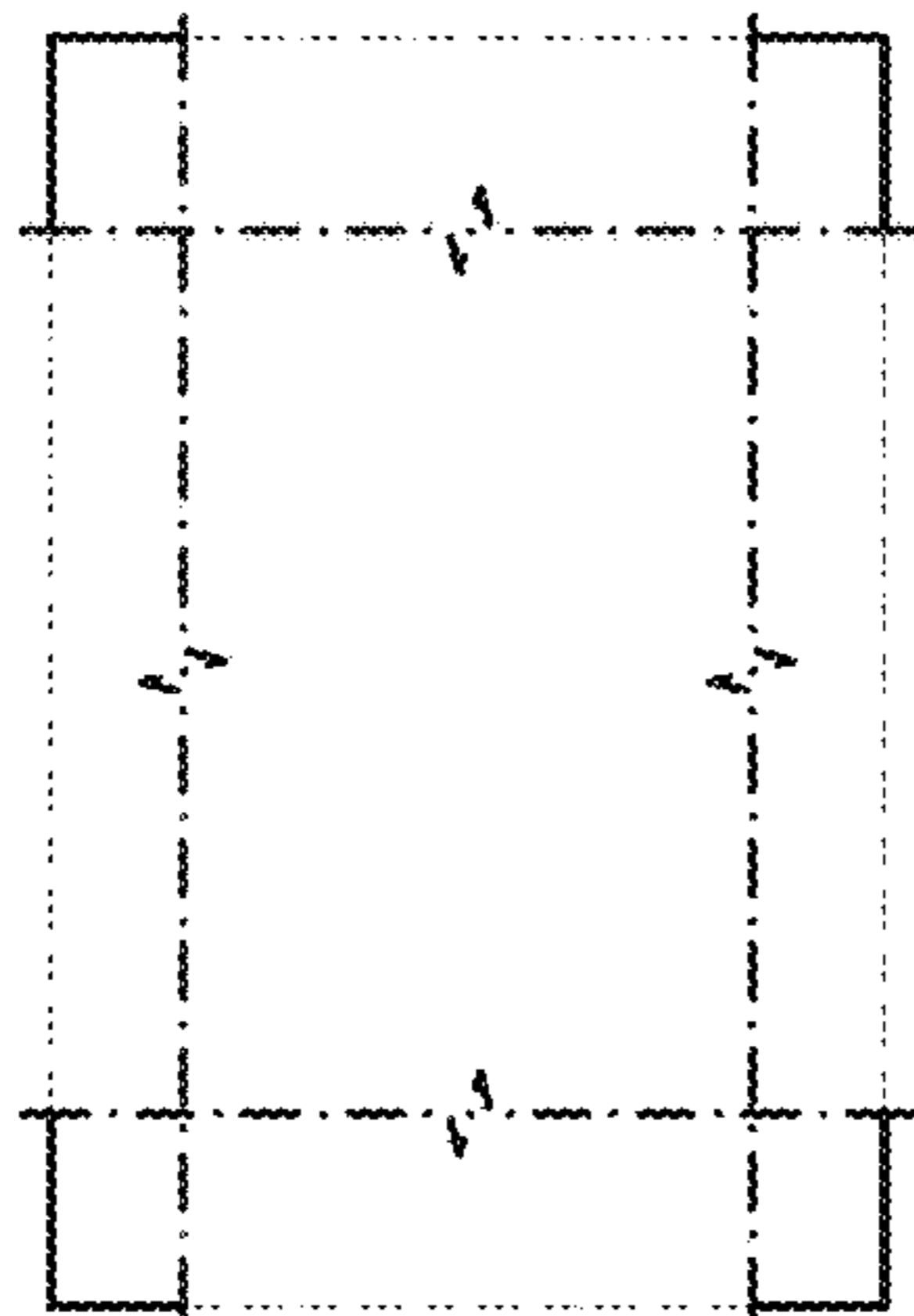


FIG. 2

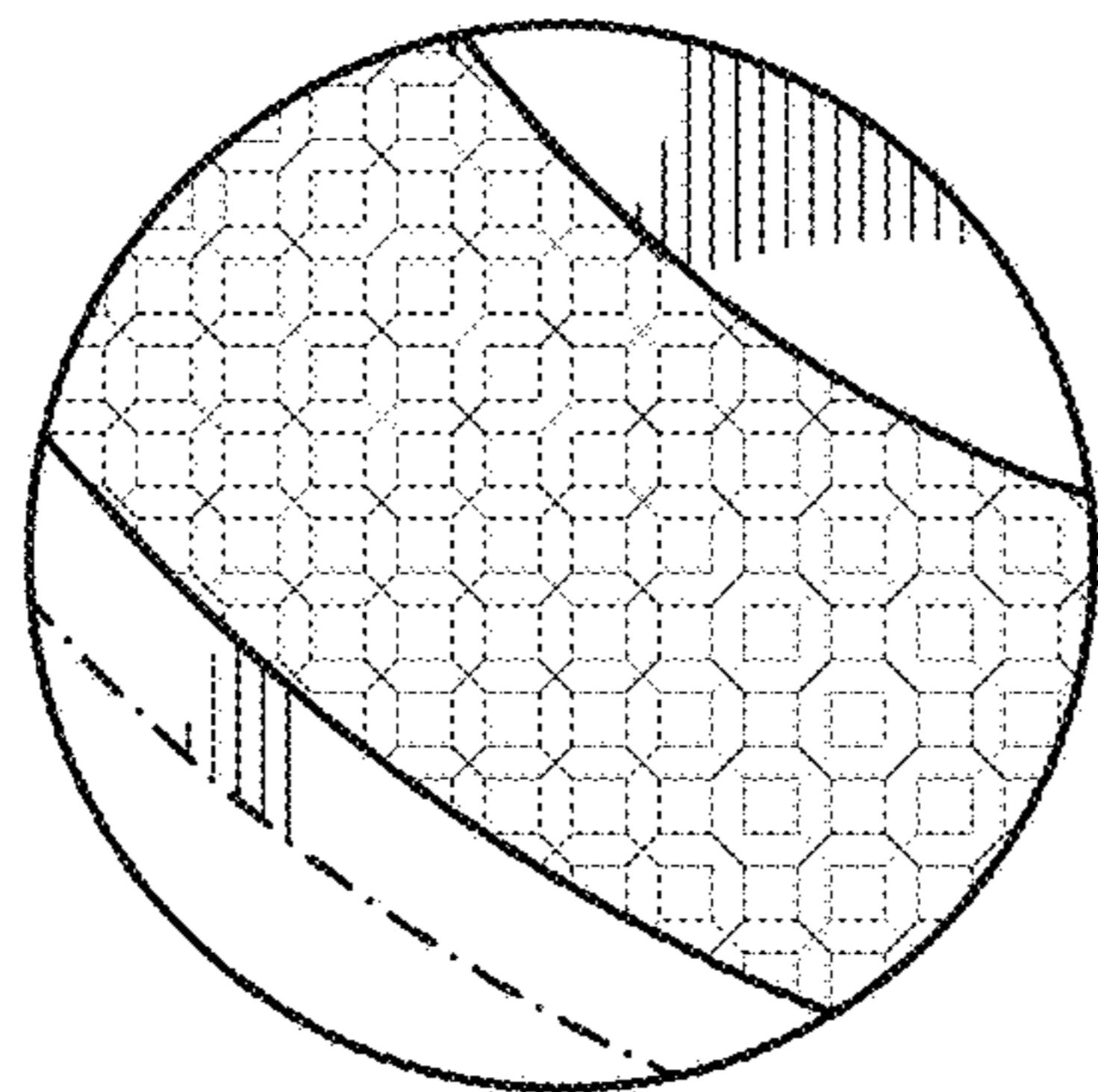


FIG. 8

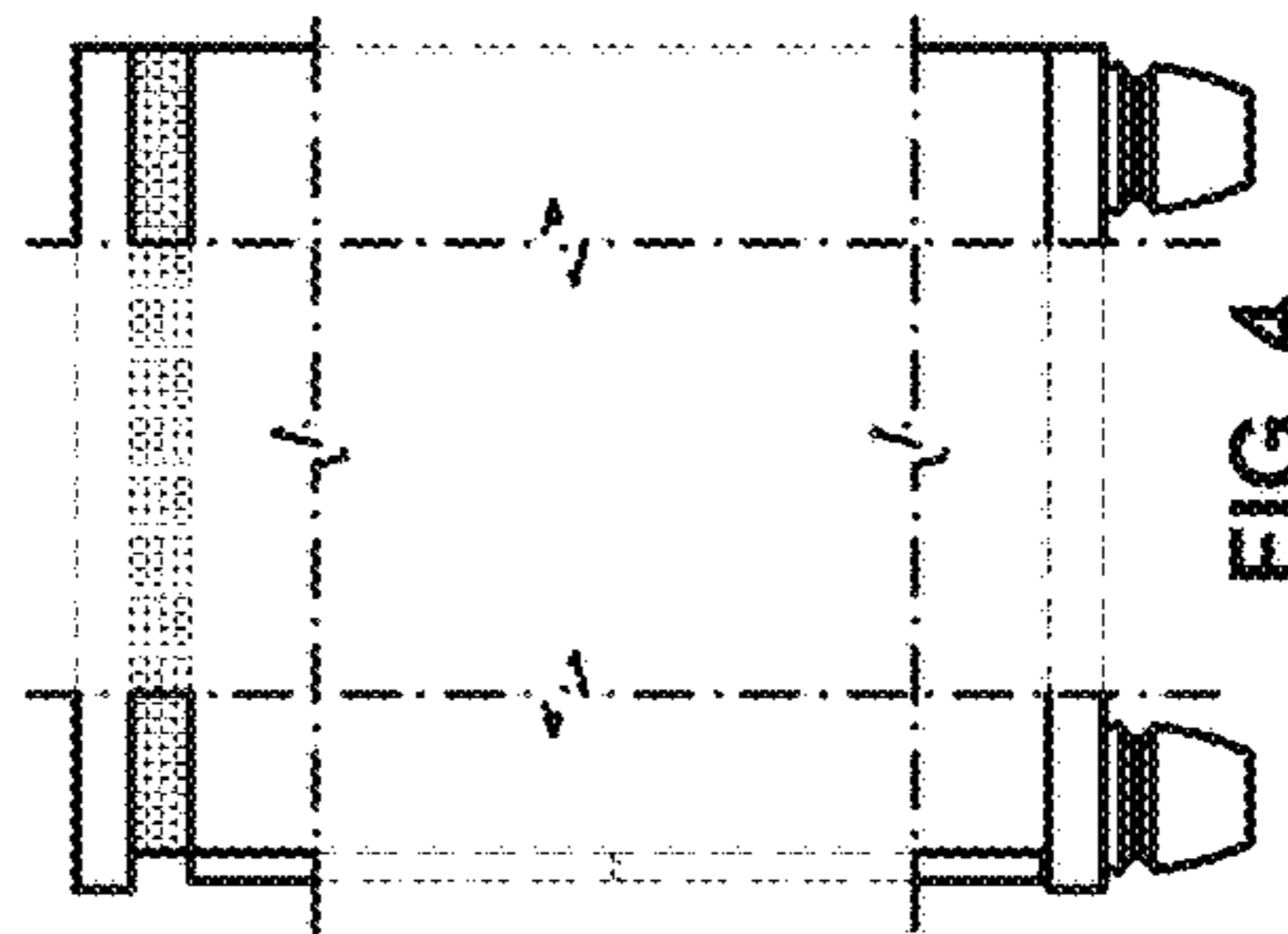


FIG. 4

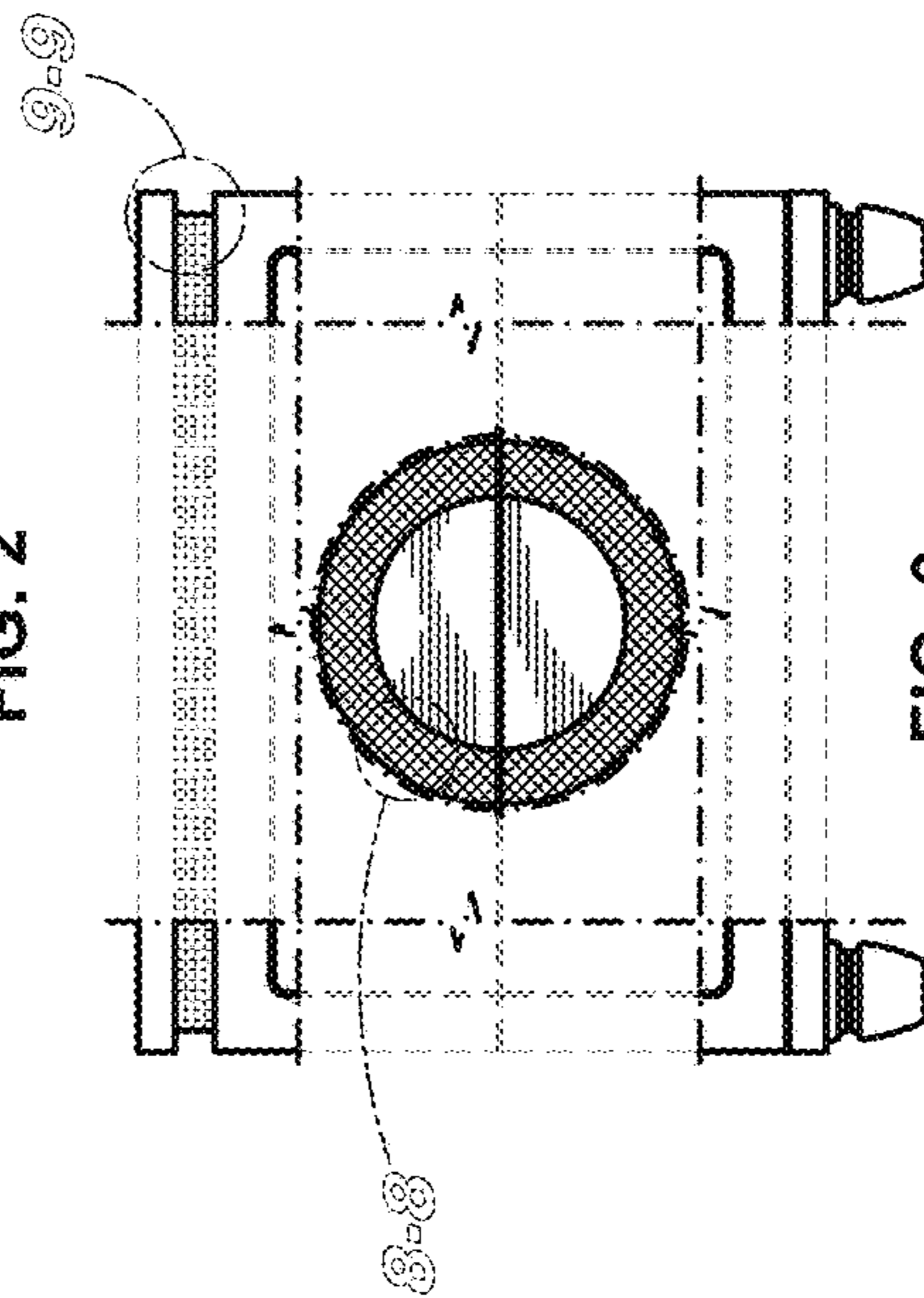


FIG. 3

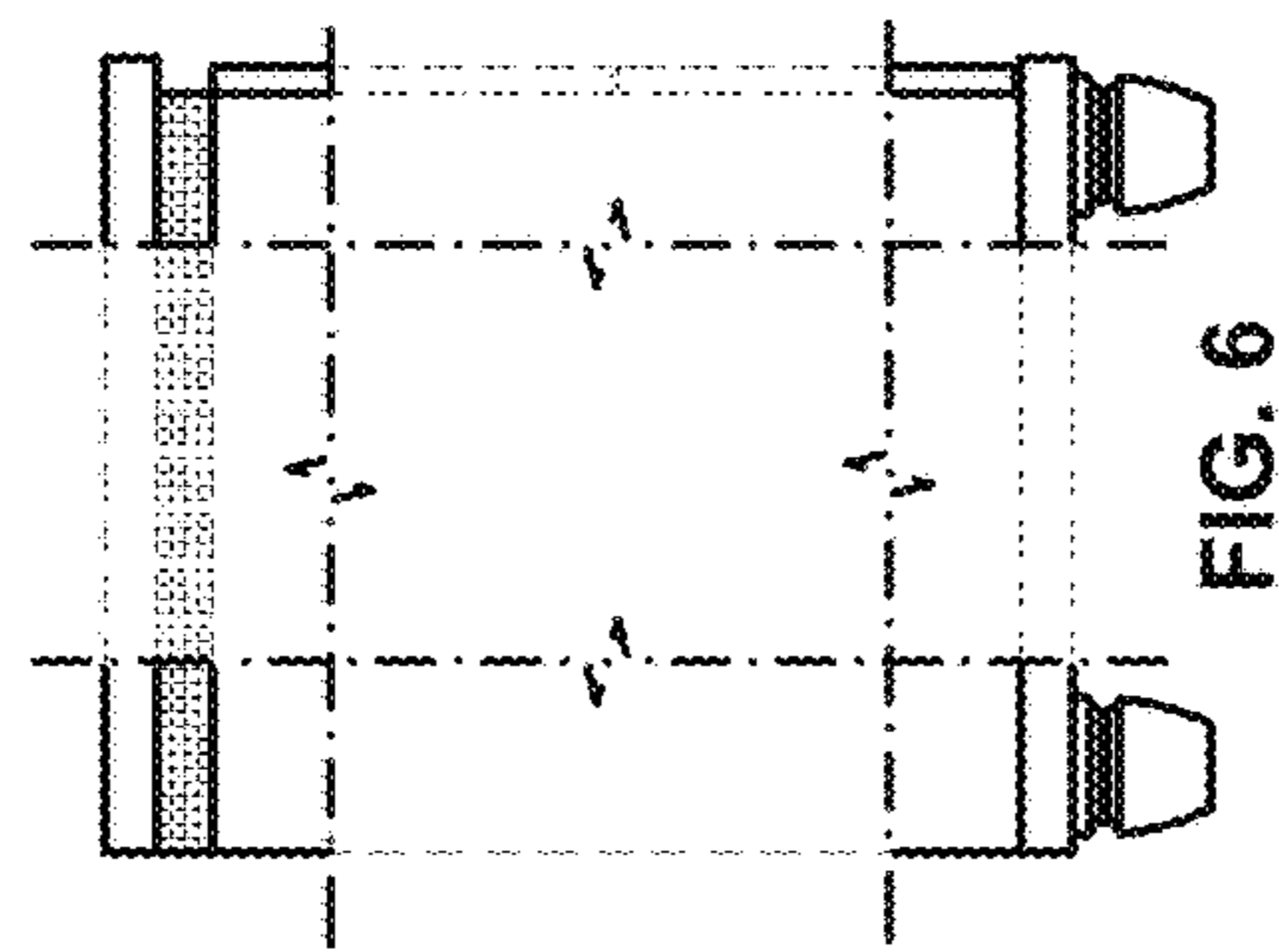


FIG. 6

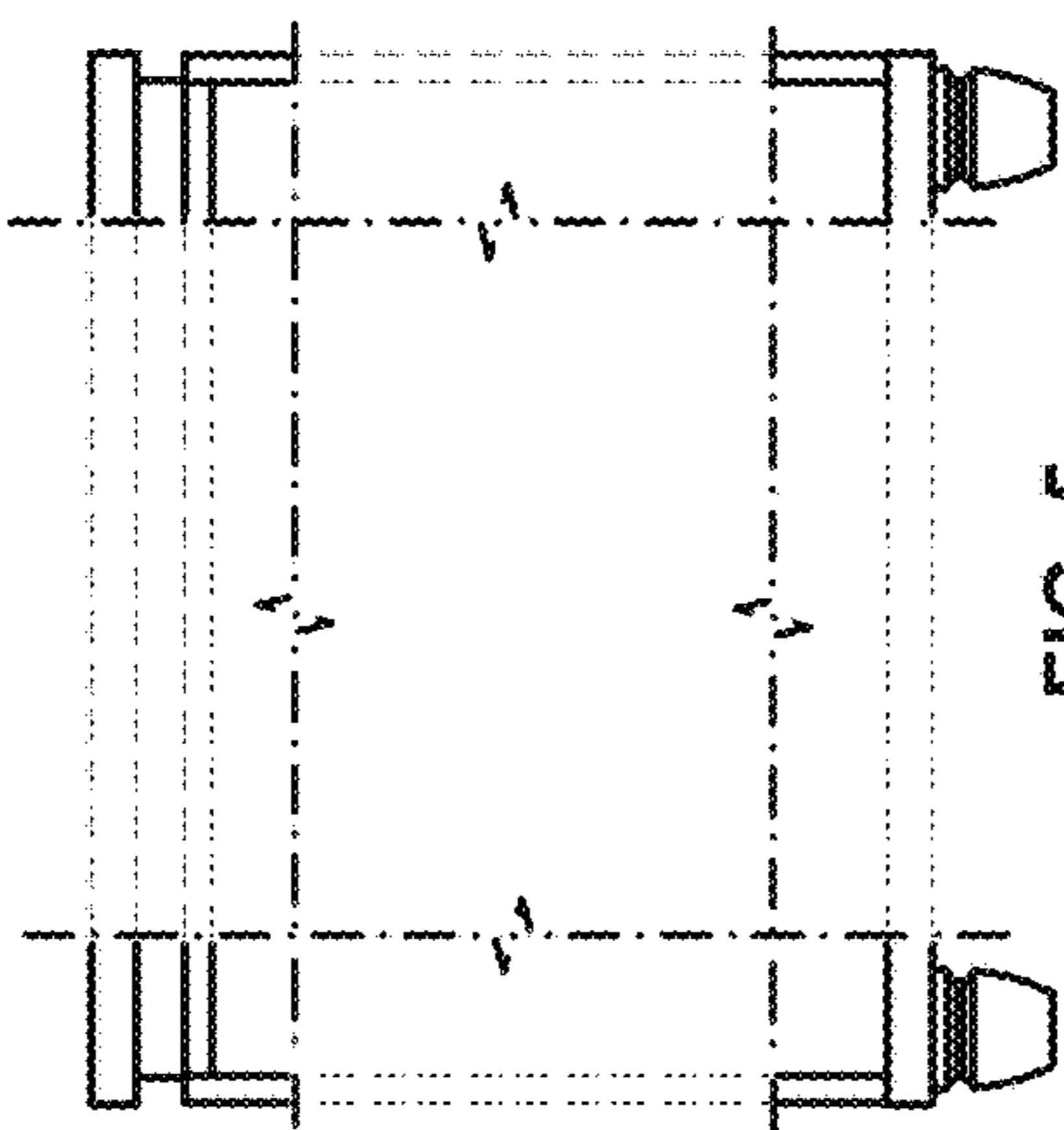


FIG. 5

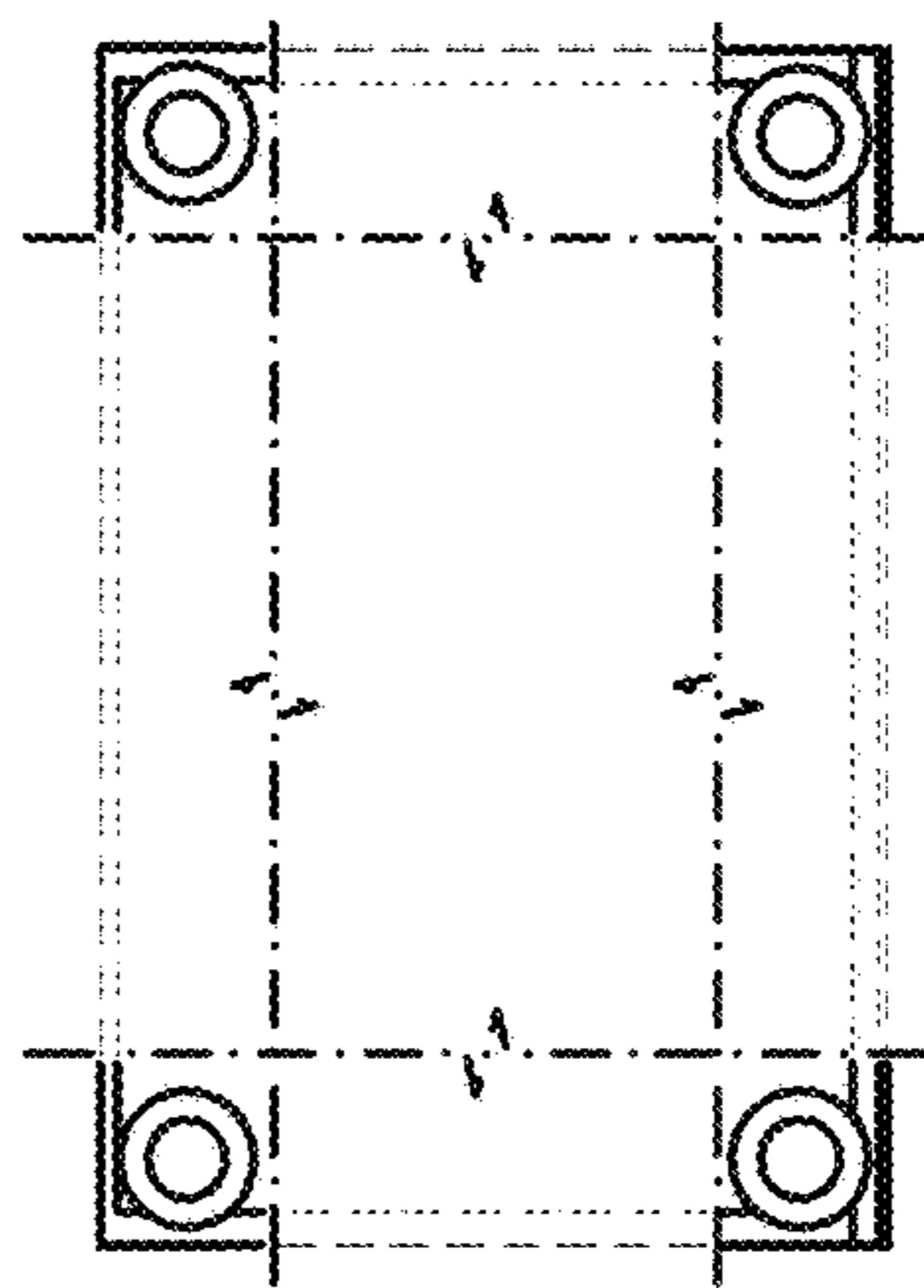


FIG. 7