



US00D862129S

(12) **United States Design Patent** (10) **Patent No.:** **US D862,129 S**
Hu (45) **Date of Patent:** **** Oct. 8, 2019**

(54) **HEIGHT ADJUSTABLE DESK**
(71) Applicant: **Yajun Hu**, El Dorado Hills, CA (US)
(72) Inventor: **Yajun Hu**, El Dorado Hills, CA (US)
(73) Assignees: **Yajun Hu**, El Dorado Hills, CA (US);
EUREKA LLC., El Dorado Hills, CA (US)

(**) Term: **15 Years**

(21) Appl. No.: **29/649,391**

(22) Filed: **May 29, 2018**

(51) **LOC (12) Cl.** **06-03**

(52) **U.S. Cl.**
USPC **D6/656.17**

(58) **Field of Classification Search**
USPC D6/641, 642, 648, 648.1, 650, 650.1,
D6/655, 656, 656.1, 656.11, 656.12,
D6/656.13, 656.14, 656.15, 656.16,
D6/656.17, 656.18, 656.19, 675, 686,
D6/688.14, 688.15, 691, 691.5, 691.6,
D6/691.7, 697

CPC A47B 9/00; A47B 9/02; A47B 9/04; A47B
9/12; A47B 2200/0035; A47B 2200/005;
A47B 2200/0056

See application file for complete search history.

(56) **References Cited**

U.S. PATENT DOCUMENTS

D478,225 S	8/2003	Wang	
D499,273 S	12/2004	Chang	
D499,576 S	12/2004	Long	
D501,339 S *	2/2005	Lai	D6/691
D526,812 S	8/2006	Chen	
D547,970 S	8/2007	Chou	
D549,009 S	8/2007	Lin	
D559,592 S *	1/2008	Glass	D6/656.16
D569,132 S *	5/2008	Sexton	D6/656.18
D644,044 S *	8/2011	Kitajima	D6/656.17

D675,041 S *	1/2013	Mecherle	D6/691
D719,767 S *	12/2014	Scharer	D6/656.17
D776,961 S *	1/2017	Yamamoto	D6/656.16
9,591,919 B2	3/2017	Ergun et al.	
9,635,932 B2	5/2017	Kelley et al.	
D794,359 S *	8/2017	Yamamoto	D6/656
9,993,067 B2 *	6/2018	Lu	A47B 3/06

(Continued)

OTHER PUBLICATIONS

Belda, posted at Wayfair.com, posted on Jul. 5, 2018, site visited May 16, 2019. online, available from internet: <https://www.wayfair.com/furniture/pdp/comm-office-belda-height-adjustable-glass-standing-desk-w001708621.html> (Year: 2018).*

(Continued)

Primary Examiner — Mary Ann Calabrese
Assistant Examiner — Catherine Ho

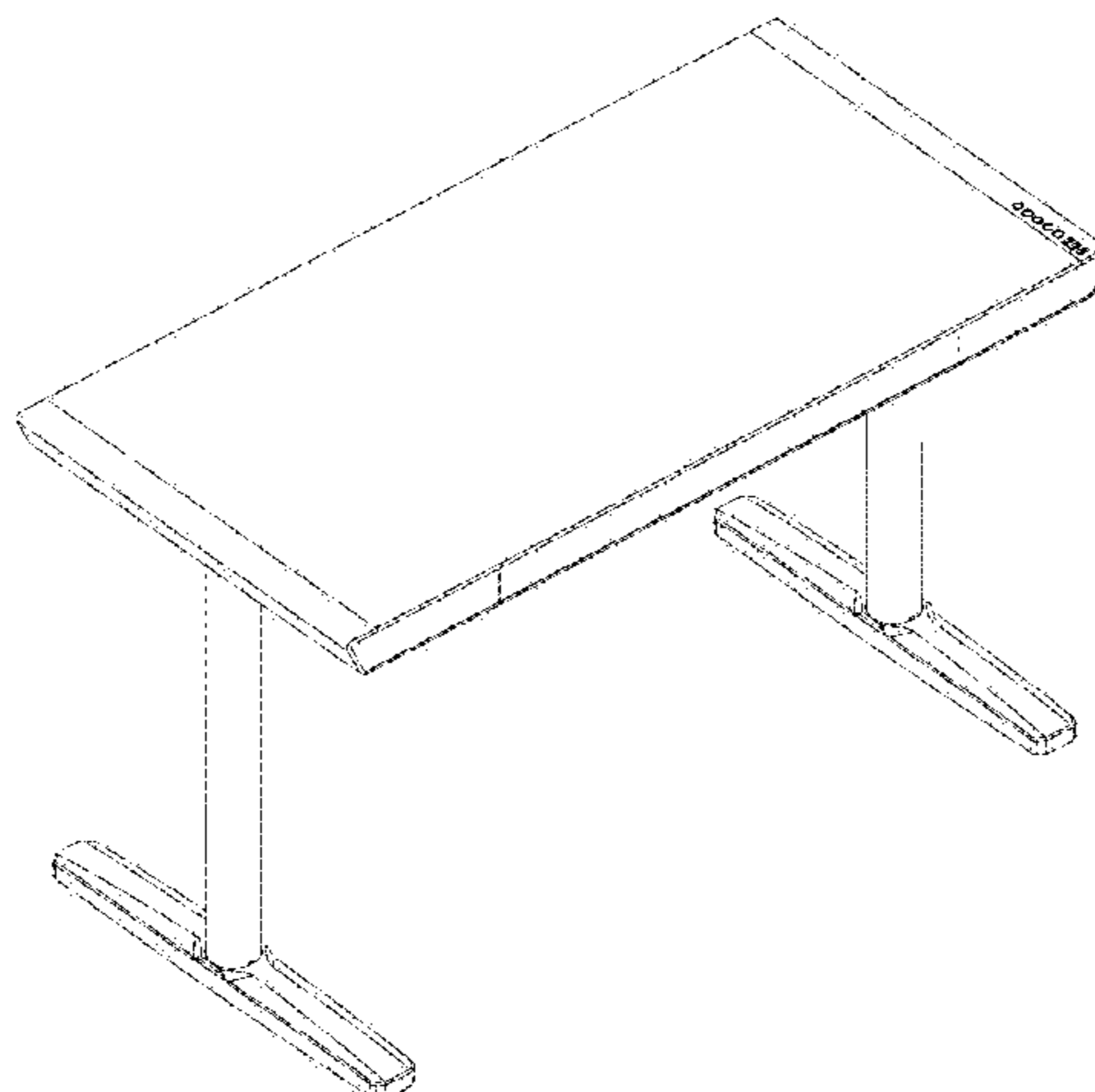
(57) **CLAIM**

I claim the ornamental design for a height adjustable desk, as shown and described.

DESCRIPTION

FIG. 1 is a perspective view of a height adjustable desk in a collapsed position, showing my new design;
FIG. 2 is a front view thereof;
FIG. 3 is a bottom view thereof;
FIG. 4 is a top view thereof;
FIG. 5 is a rear side view thereof;
FIG. 6 is a left side view thereof;
FIG. 7 is a right side view thereof;
FIG. 8 is a perspective view of a height adjustable desk in an extended position;
FIG. 9 is a front view thereof;
FIG. 10 is a rear side view thereof;
FIG. 11 is a left side view thereof; and,
FIG. 12 is a right side view thereof.

1 Claim, 12 Drawing Sheets



(56)

References Cited

U.S. PATENT DOCUMENTS

2016/0037904 A1* 2/2016 Wu A47B 3/002
248/550
2016/0170402 A1* 6/2016 Lindstrom A47B 9/00
700/275
2017/0303679 A1* 10/2017 Tseng A47B 9/04
2018/0338608 A1* 11/2018 Keller H02G 3/0456

OTHER PUBLICATIONS

Seville, posted at Wayfair.com, posted on Dec. 29, 2018, site visited May 16, 2019. online, available from internet: <https://www.wayfair.com/furniture/pdp/seville-classics-seville-airlift-electric-height-glass-standing-desk-fzv10017.html> (Year: 2018).*

Centro, posted at Wayfair.com, posted on Sep. 24, 2017, site visited May 16, 2019. online, available from internet: <https://www.wayfair.com/furniture/pdp/bdi-centro-lift-adjustable-standing-desk-bdi1574.html> (Year: 2017).*

* cited by examiner

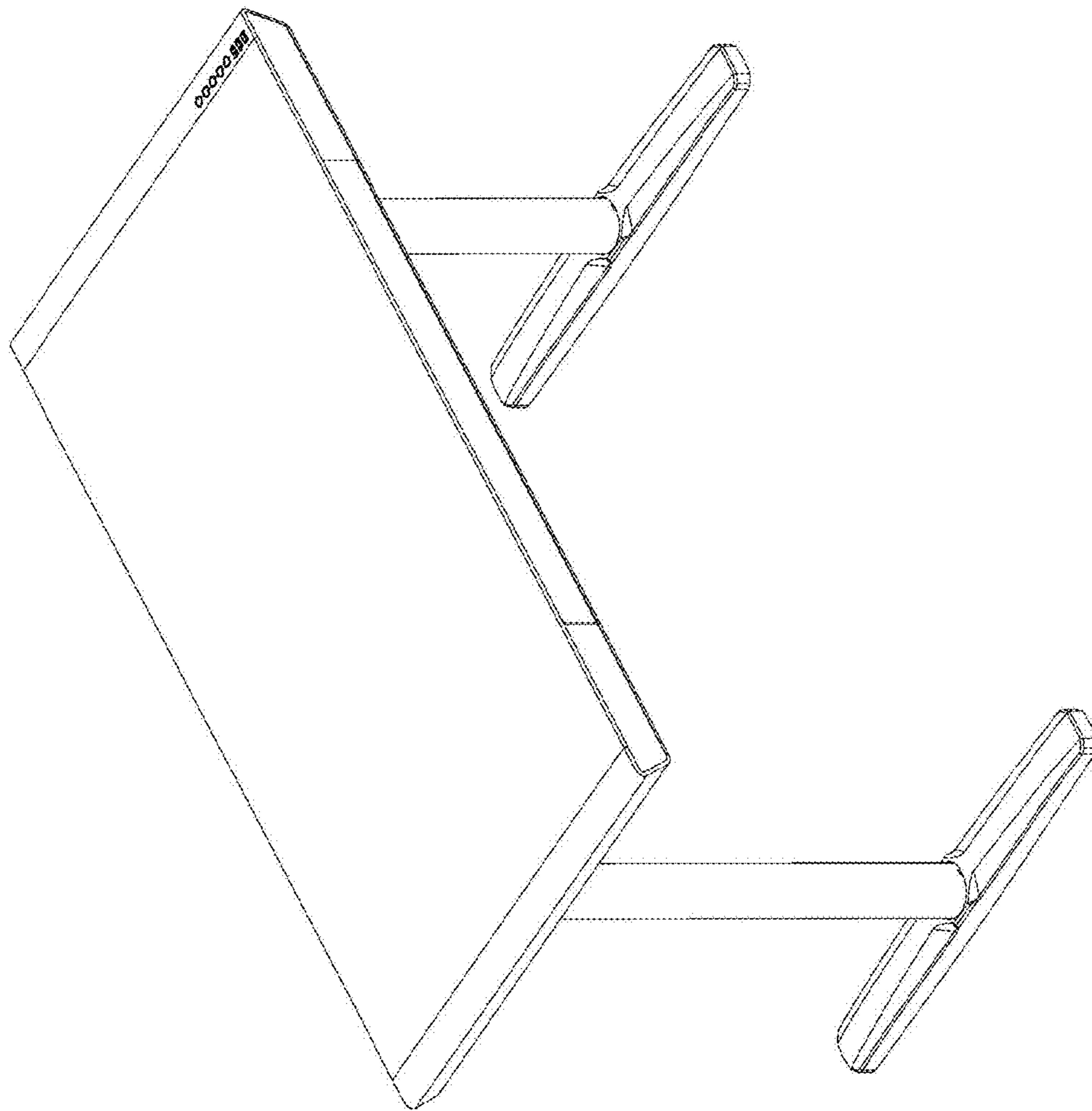


FIG. 1

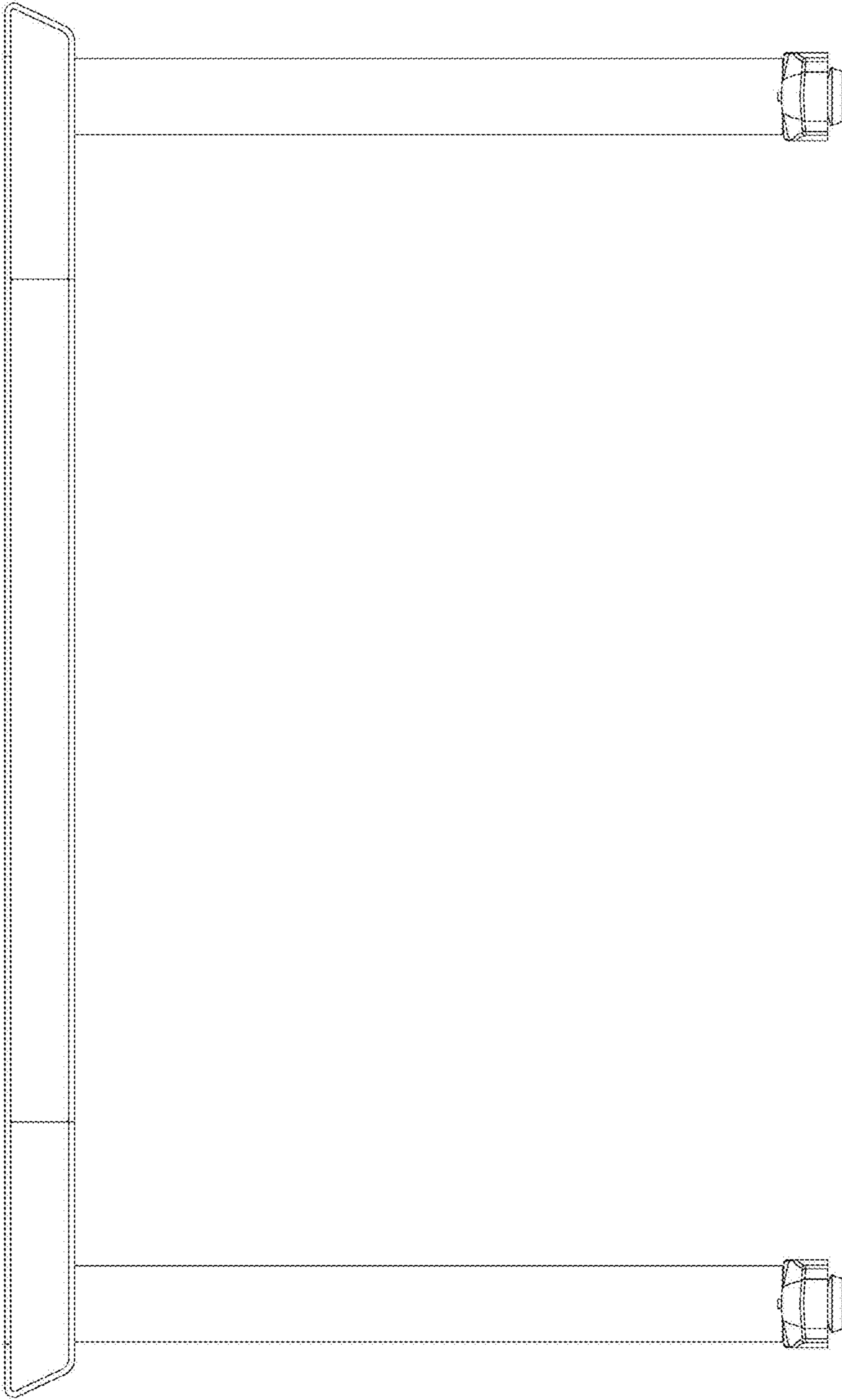


FIG. 2

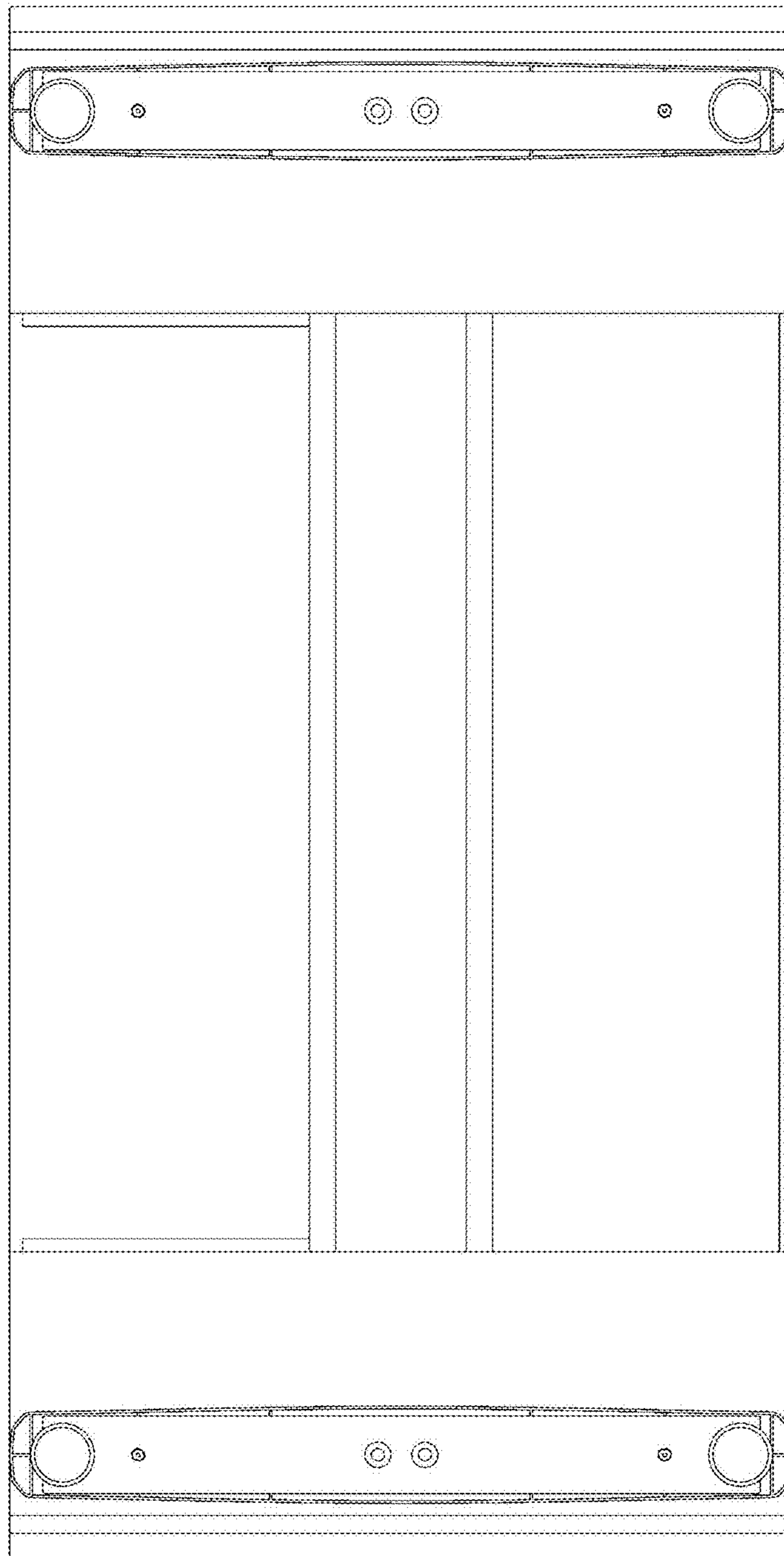


FIG. 3

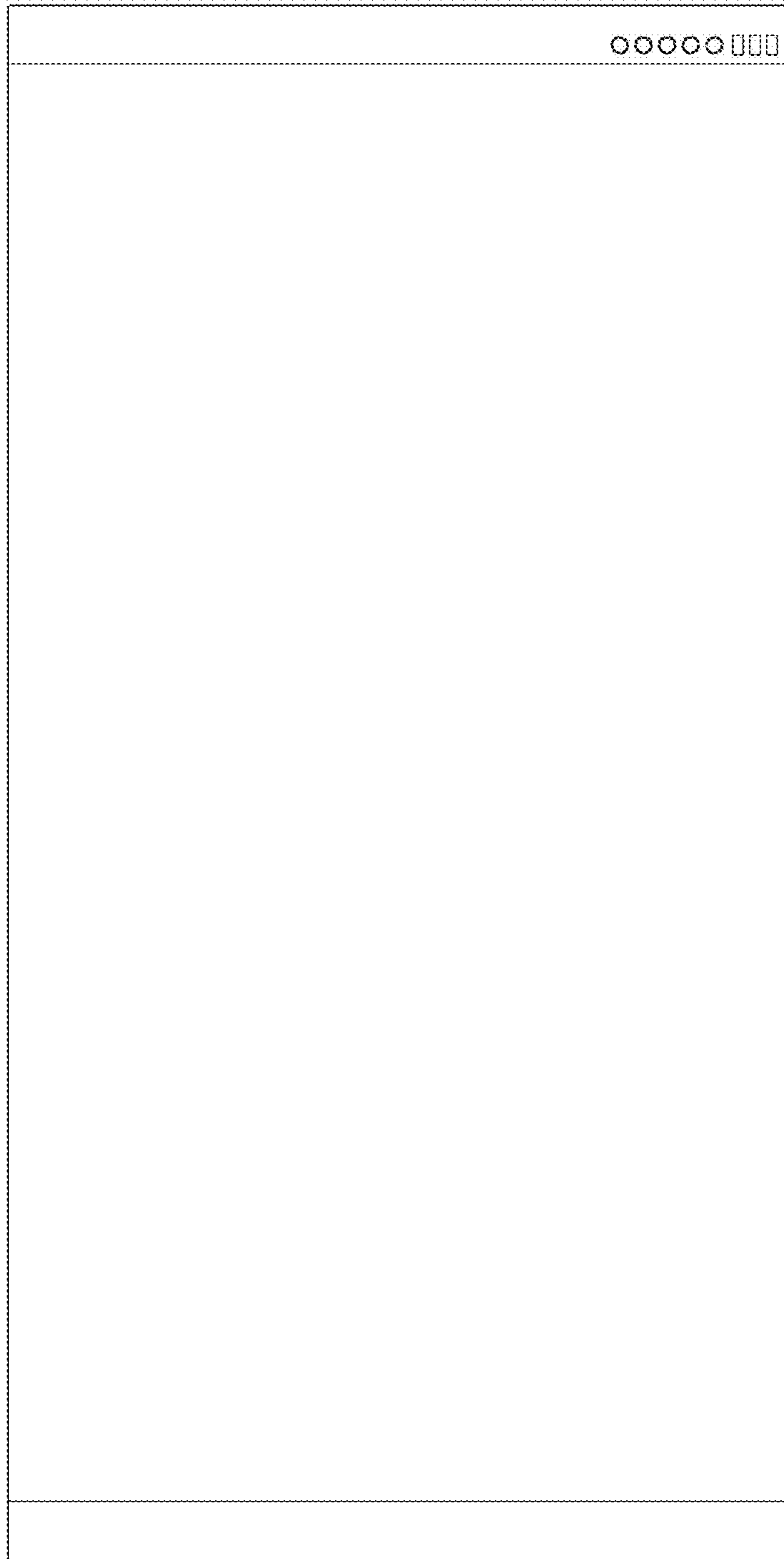


FIG. 4

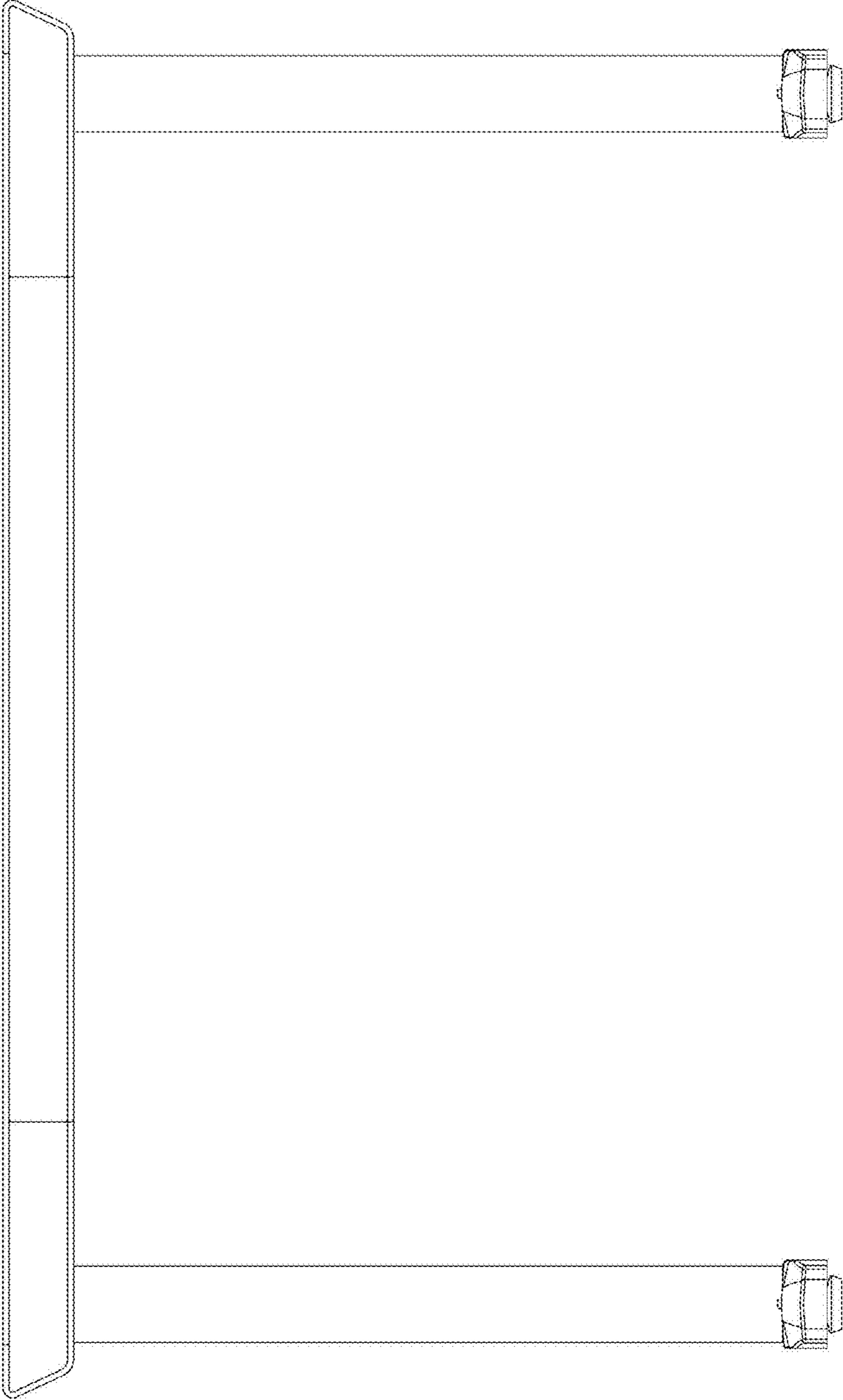


FIG. 5

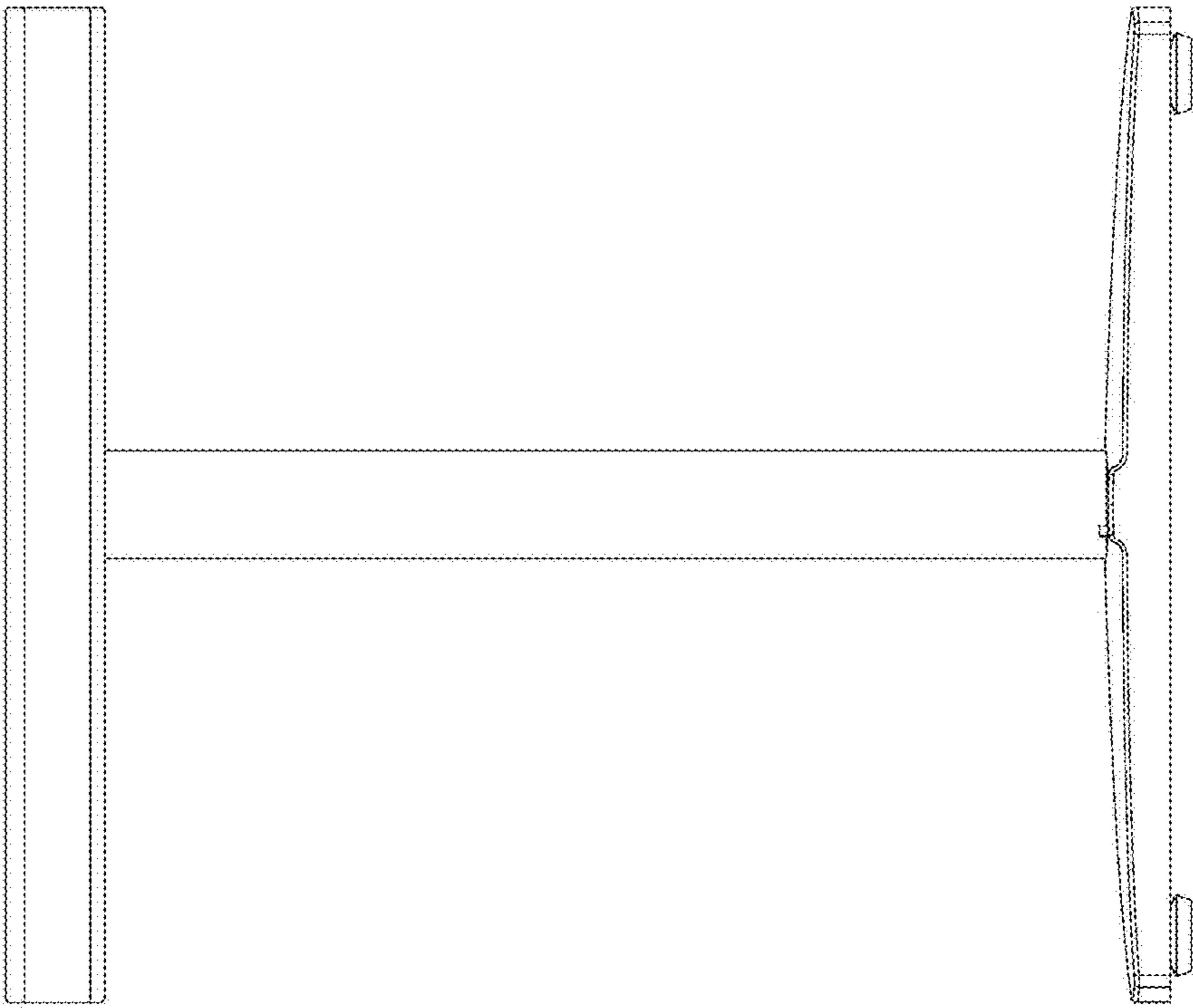


FIG. 6



FIG. 7

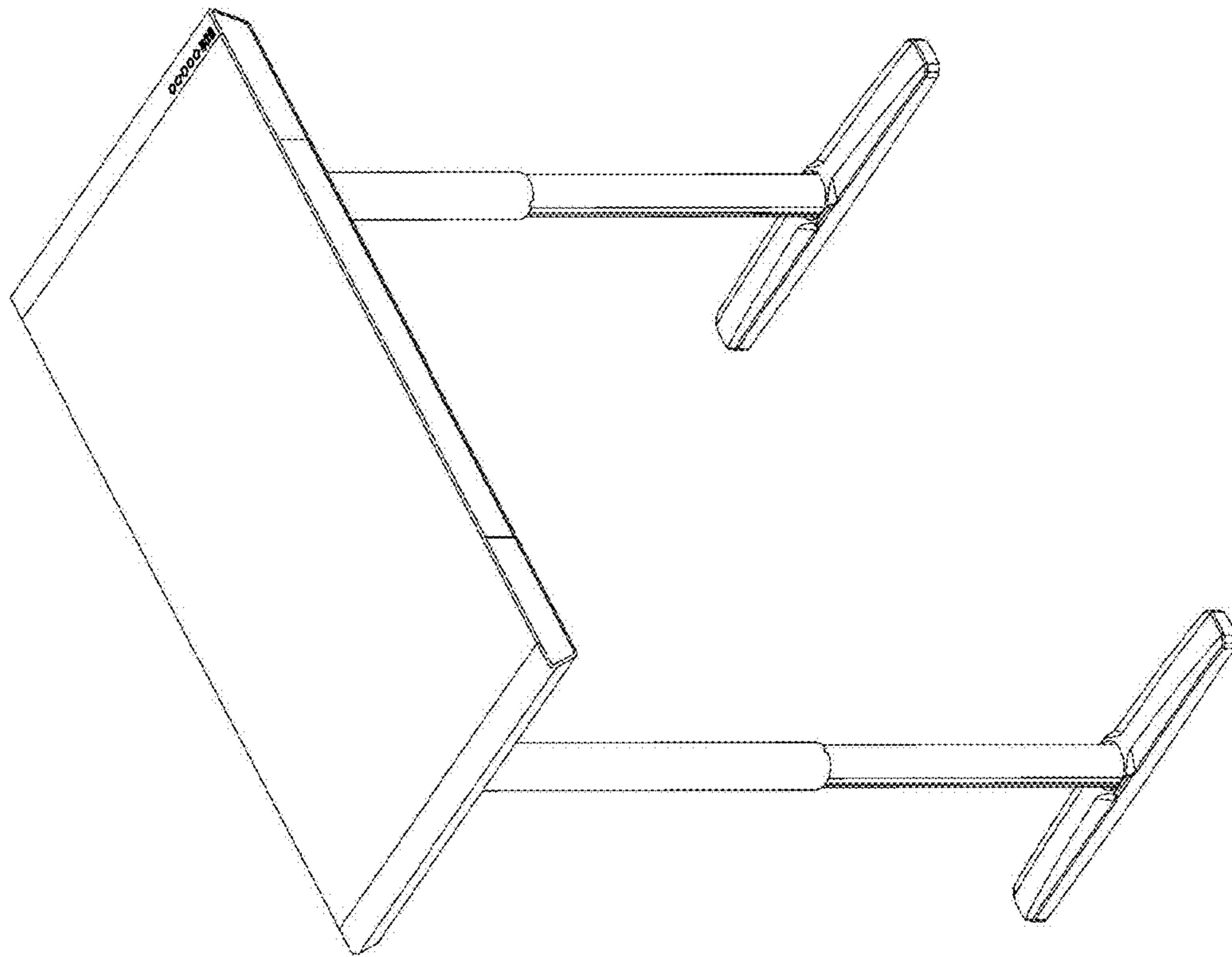


FIG. 8

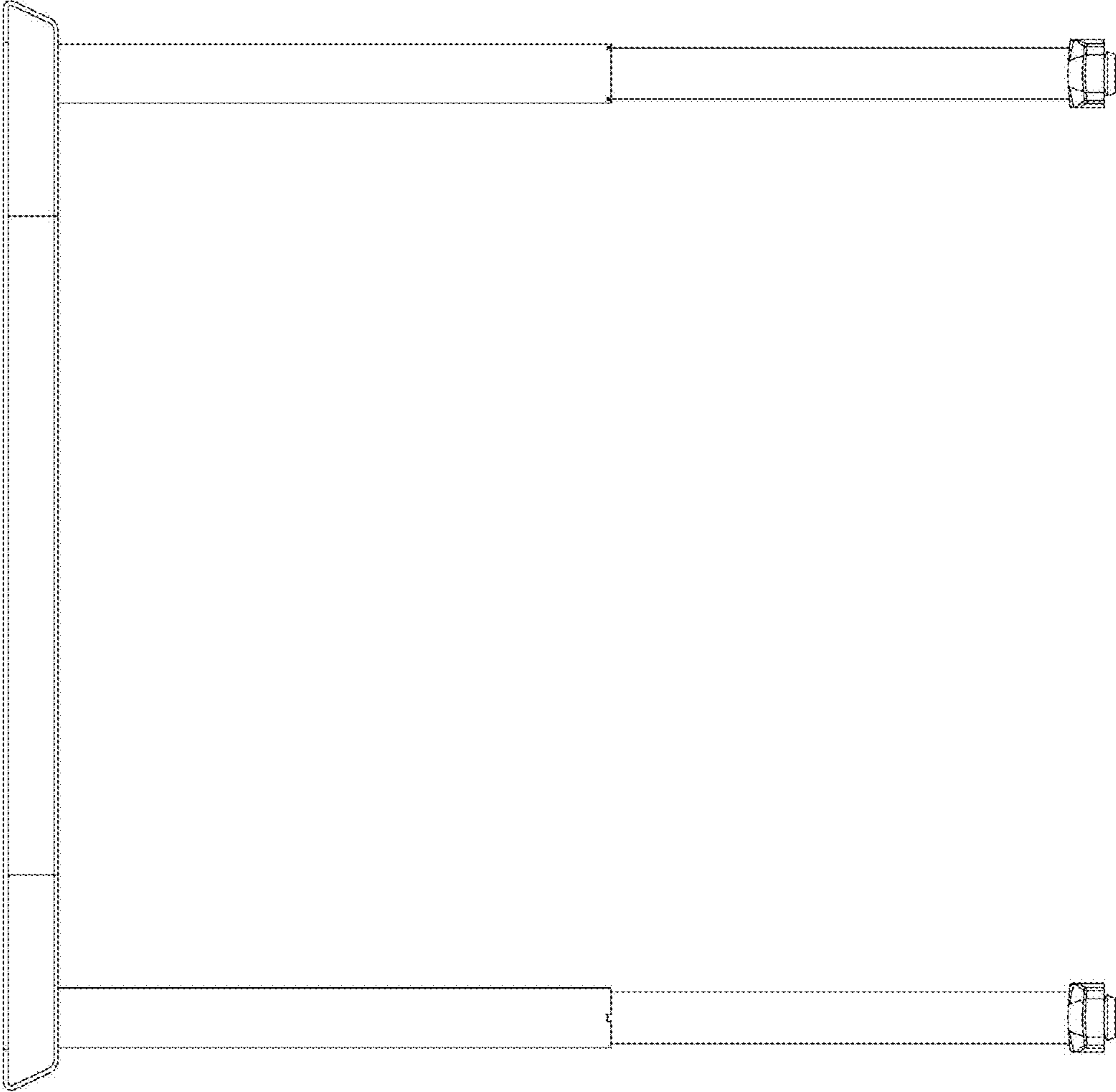


FIG. 9

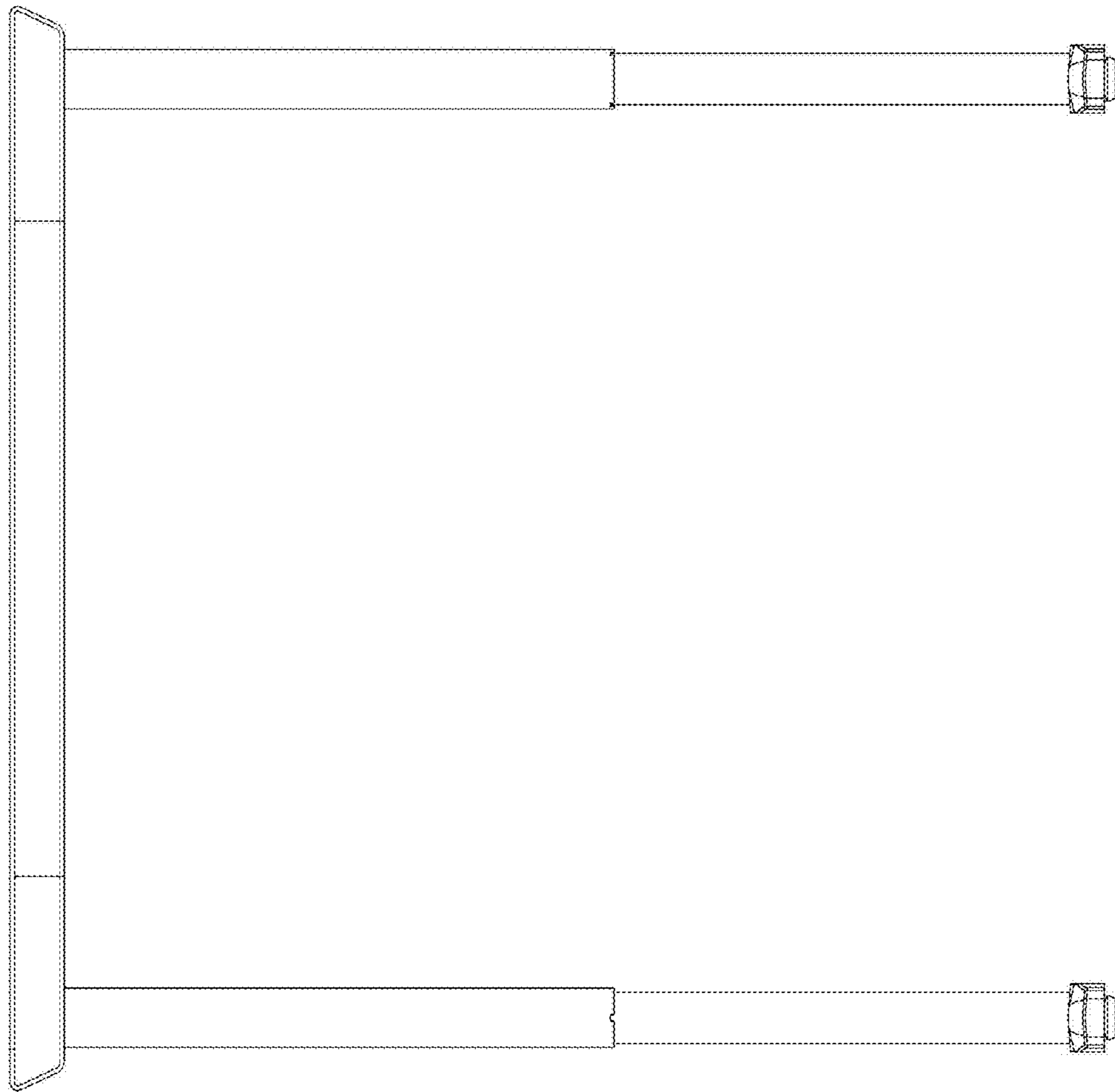


FIG. 10

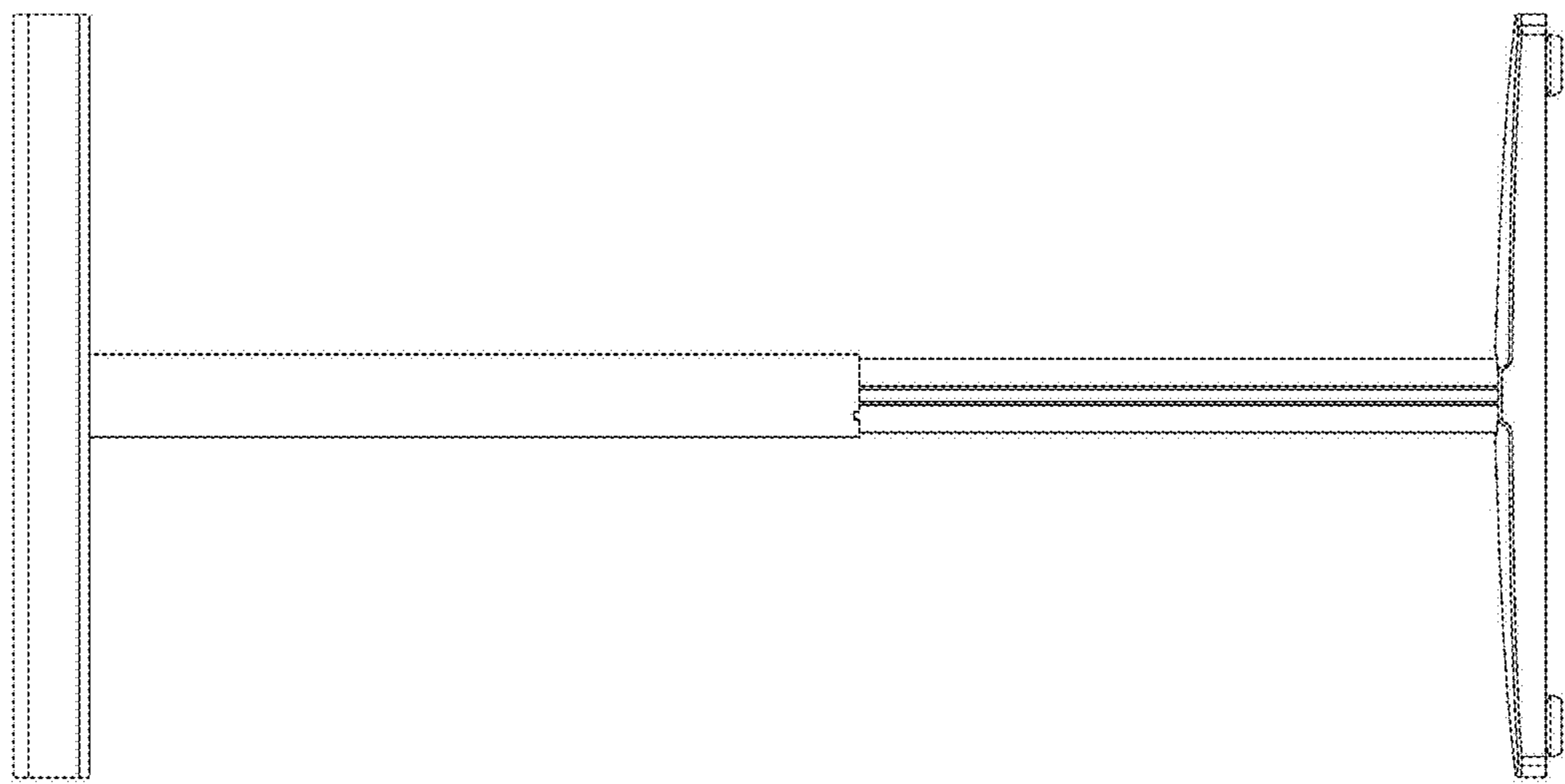


FIG. 11

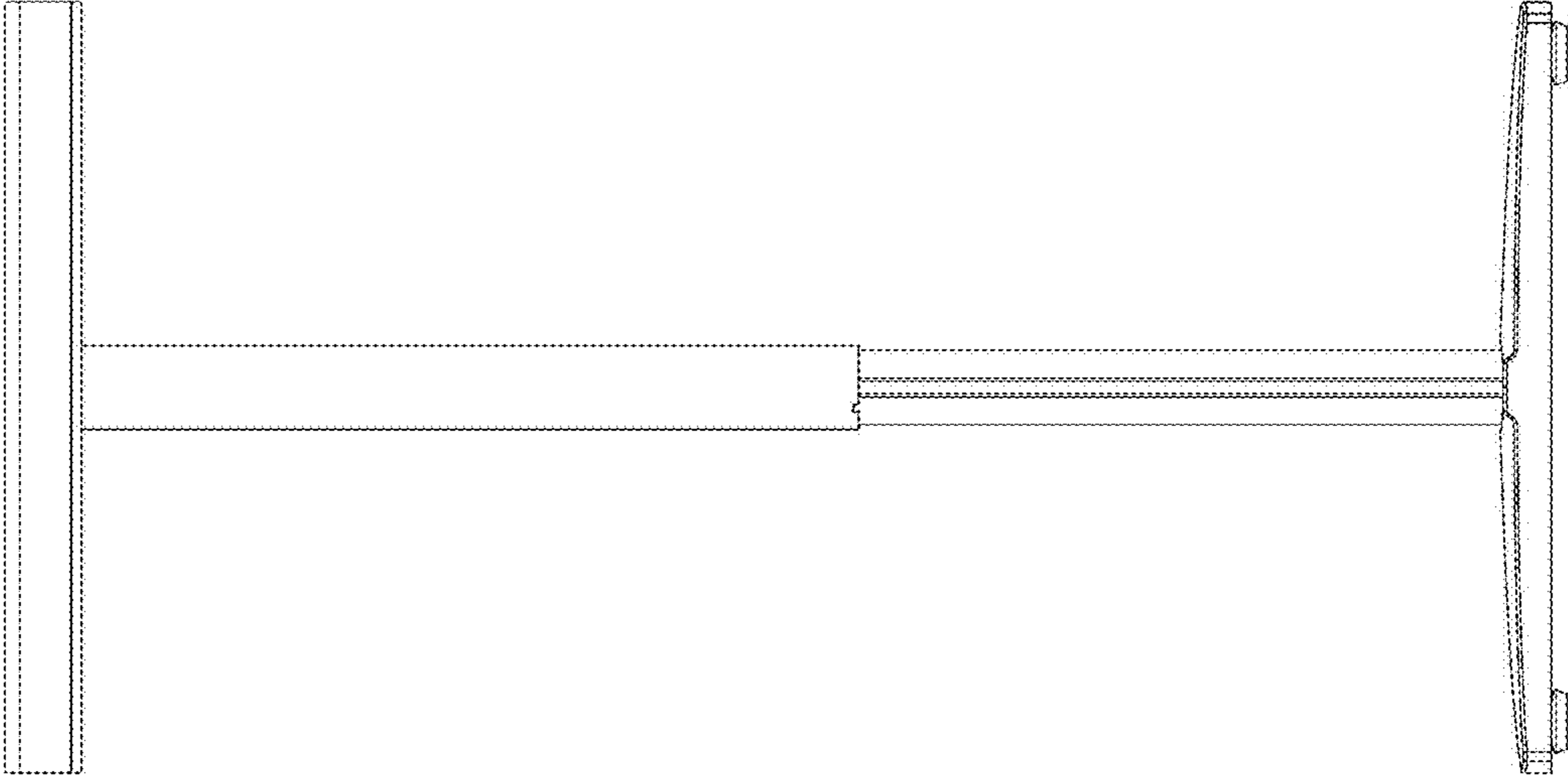


FIG. 12