

US00D862127S

(12) **United States Design Patent** (10) **Patent No.:** **US D862,127 S**
Castaneda Roldan et al. (45) **Date of Patent:** **** Oct. 8, 2019**

(54) **CONFERENCE TABLE**

FOREIGN PATENT DOCUMENTS

(71) Applicant: **STEELCASE INC.**, Grand Rapids, MI (US)

CN 204635411 U 9/2015
CN 204812639 U 12/2015

(Continued)

(72) Inventors: **Felipe Efrain Castaneda Roldan**, Grand Rapids, MI (US); **Rachel Anne Neiman**, Grand Rapids, MI (US); **Robert Scheper**, Grand Rapids, MI (US)

Primary Examiner — Jennifer Rivard
Assistant Examiner — Alison M Ofstun

(74) *Attorney, Agent, or Firm* — Brinks Gilson & Lione

(57) **CLAIM**

The ornamental design for a conference table, as shown and described.

(73) Assignee: **Steelcase Inc.**, Grand Rapids, MI (US)

DESCRIPTION

(**) Term: **15 Years**

(21) Appl. No.: **29/634,168**

(22) Filed: **Jan. 18, 2018**

FIG. 1 is a perspective view of a conference table in an expanded configuration;
FIG. 2 is a side view of the conference table shown in FIG. 1;
FIG. 3 is a top view of the conference table shown in FIG. 1;
FIG. 4 is front view of the conference table shown in FIG. 1;
FIG. 5 is a bottom view of the conference table shown in FIG. 1;
FIG. 6 is a rear view of the conference table shown in FIG. 1;
FIG. 7 is a perspective view of a conference table in a contracted configuration;
FIG. 8 is a side view of the conference table shown in FIG. 7;
FIG. 9 is a top view of the conference table shown in FIG. 7;
FIG. 10 is front view of the conference table shown in FIG. 7;
FIG. 11 is a bottom view of the conference table shown in FIG. 7; and,
FIG. 12 is a rear view of the conference table shown in FIG. 7.

Related U.S. Application Data

(63) Continuation of application No. 29/561,429, filed on Apr. 15, 2016, now abandoned.

(51) **LOC (12) Cl.** **06-03**

(52) **U.S. Cl.**
USPC **D6/644**

(58) **Field of Classification Search**
USPC D6/337, 641, 642, 644, 707; D14/127
CPC A47B 21/0314; A47B 37/00; A47B 1/00;
A47B 1/056; A47B 1/08; A47B 1/10;
A47B 13/081; A47B 13/088
See application file for complete search history.

(56) **References Cited**

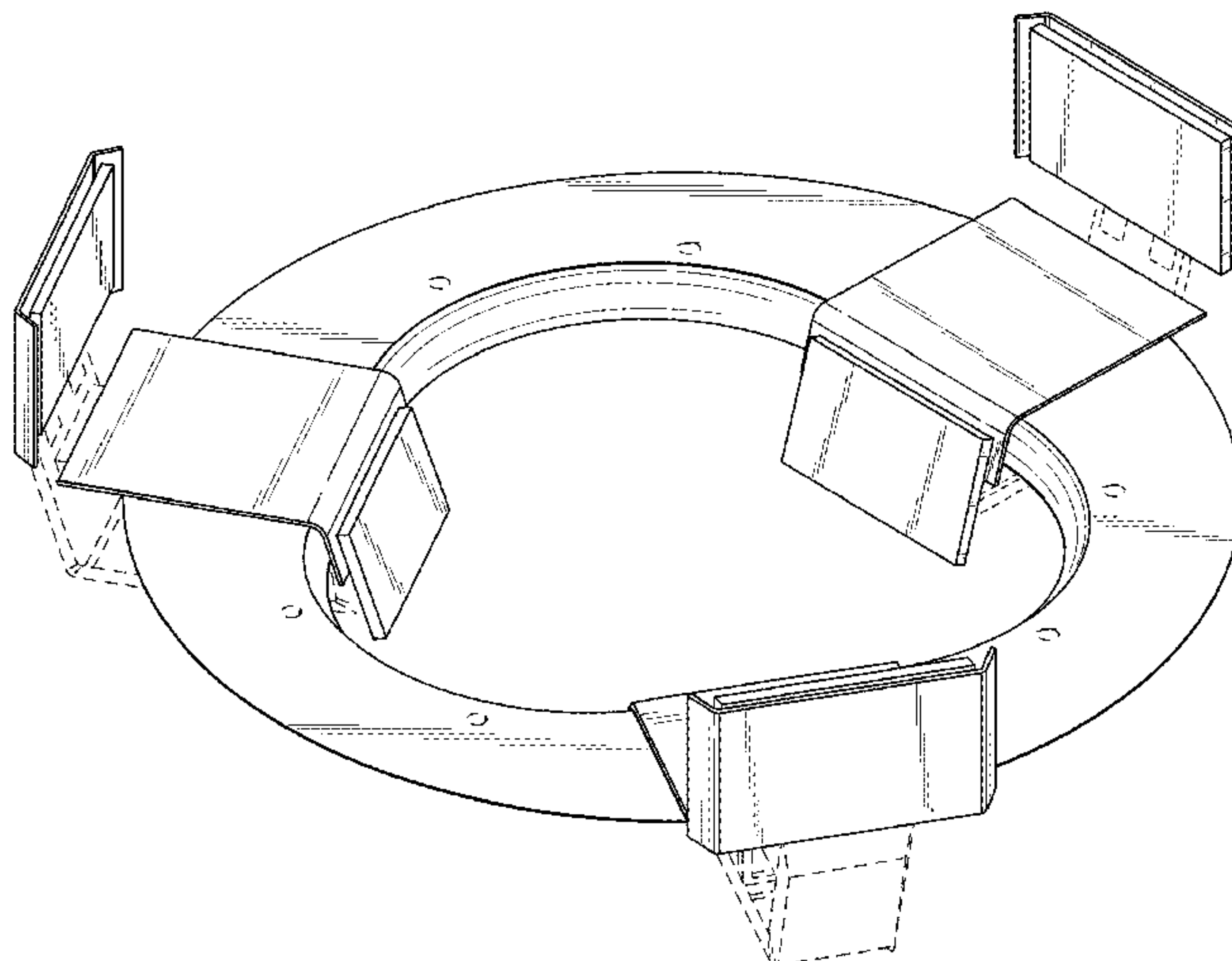
U.S. PATENT DOCUMENTS

1,384,925 A 7/1921 Seiler
D62,604 S 7/1923 DeShields
D120,018 S 4/1940 Remler

(Continued)

The broken lines shown in the Figures represent portions of the article that do not form any part of the claimed design.

1 Claim, 6 Drawing Sheets



(56)

References Cited

U.S. PATENT DOCUMENTS

D139,893 S 1/1945 Roberts
 2,536,511 A 1/1951 Megies
 2,540,291 A 2/1951 Reingold
 2,703,740 A 3/1955 Cochard
 D194,468 S 1/1963 Goodman
 D196,121 S 8/1963 Soszynski
 3,120,405 A 2/1964 Soszynski
 D201,971 S 8/1965 Mahon
 D206,998 S 2/1967 Burton
 D209,911 S 1/1968 Cooper
 D210,131 S 2/1968 Rourke
 3,477,760 A 11/1969 Bue et al.
 D222,276 S 10/1971 Hughes
 4,069,770 A 1/1978 Bertelsen
 4,400,724 A 8/1983 Fields
 D272,302 S 1/1984 Connelly
 D274,581 S 7/1984 Gallock
 D276,109 S 10/1984 Gordon
 4,758,887 A 7/1988 Engel et al.
 D327,178 S 6/1992 Ryaa
 5,156,095 A 10/1992 Hansback et al.
 5,159,445 A 10/1992 Gitlin et al.
 5,194,955 A 3/1993 Yoneta et al.
 D337,000 S 7/1993 Williams
 5,237,937 A 8/1993 Peltier et al.
 D339,487 S 9/1993 Rizzi
 5,243,413 A 9/1993 Gitlin et al.
 5,282,027 A 1/1994 Tanigaki et al.
 D352,182 S 11/1994 Yoshimura
 5,400,069 A 3/1995 Braun et al.
 5,406,323 A 4/1995 Tanigaki et al.
 5,448,287 A 9/1995 Hull
 5,470,128 A 11/1995 Kerkham
 5,612,733 A 3/1997 Flohr
 5,619,254 A 4/1997 McNelley
 5,676,068 A 10/1997 Kallander
 5,808,663 A 9/1998 Okaya
 D409,008 S 5/1999 Lunn
 5,953,052 A 9/1999 McNelley et al.
 6,009,814 A 1/2000 Rossi
 6,010,185 A 1/2000 Petersen
 6,037,970 A 3/2000 Kondo
 6,102,475 A 8/2000 Hamann
 D434,738 S 12/2000 Takemasa
 6,160,573 A 12/2000 Allen et al.
 6,243,130 B1 6/2001 McNelley et al.
 D447,365 S 9/2001 Chi
 D448,938 S 10/2001 Ng
 D456,645 S 5/2002 Iverson
 D471,023 S 3/2003 Lanius
 D474,454 S 5/2003 Izu et al.
 6,606,111 B1 8/2003 Kondo et al.
 D482,536 S 11/2003 Williams
 6,798,441 B2 9/2004 Hartman et al.
 6,994,032 B2 2/2006 Conley et al.
 7,077,464 B2 7/2006 Ford et al.
 7,092,002 B2 8/2006 Ferren et al.
 7,119,829 B2 10/2006 Leonard et al.
 7,126,627 B1 10/2006 Lewis et al.
 D542,243 S 5/2007 Lewis
 7,311,047 B2 12/2007 Conley et al.
 7,352,809 B2 4/2008 Wenger et al.
 D572,918 S 7/2008 Viets
 D578,496 S * 10/2008 Leonard D14/126
 7,455,018 B2 11/2008 Conley et al.
 7,464,653 B2 12/2008 Dodge
 D588,560 S 3/2009 Mellingen et al.
 D588,825 S 3/2009 Ierssel
 7,515,174 B1 4/2009 Francisco et al.
 7,558,823 B2 7/2009 Beers et al.
 7,679,639 B2 3/2010 Harrell et al.
 7,707,247 B2 4/2010 Dunn et al.
 D615,514 S 5/2010 Mellingen et al.
 7,710,448 B2 5/2010 De Beer et al.
 7,710,450 B2 5/2010 Dhuey et al.

7,746,373 B2 6/2010 Martini
 D621,172 S 8/2010 Rivera, Jr.
 7,801,430 B2 9/2010 Gorzynski et al.
 D626,103 S 10/2010 Buzzard et al.
 D628,175 S 11/2010 Desai et al.
 D628,968 S 12/2010 Desai et al.
 7,847,814 B2 12/2010 Ferren et al.
 7,855,726 B2 12/2010 Ferren et al.
 7,884,846 B2 2/2011 Ferren et al.
 7,884,855 B2 2/2011 Ortiz
 7,916,165 B2 3/2011 Ferren et al.
 D637,568 S 5/2011 Desai et al.
 8,074,581 B2 * 12/2011 Epstein A47B 37/00
 108/50.01
 D655,519 S 3/2012 Messenger
 8,130,256 B2 3/2012 Trachtenberg et al.
 D659,427 S 5/2012 Nicolas
 D661,501 S 6/2012 Pineau
 8,259,155 B2 9/2012 Marathe et al.
 8,289,363 B2 10/2012 Buckler
 8,299,979 B2 10/2012 Rambo et al.
 8,319,819 B2 11/2012 MacDonald et al.
 8,330,791 B2 12/2012 Gorzynski et al.
 8,345,082 B2 1/2013 Tysso
 8,355,041 B2 1/2013 Chen et al.
 8,405,704 B2 3/2013 Kobayashi et al.
 8,407,944 B2 4/2013 Baloga et al.
 8,446,455 B2 5/2013 Lian et al.
 8,456,506 B2 6/2013 Ferren et al.
 8,477,175 B2 7/2013 Shaffer et al.
 D688,074 S 8/2013 Lin
 D689,305 S 9/2013 Mari
 8,526,632 B2 9/2013 Cutler
 8,659,637 B2 2/2014 De Beer et al.
 8,675,038 B2 3/2014 Wessling
 8,692,862 B2 4/2014 N'Guessan
 8,704,867 B2 4/2014 Hubenthal et al.
 8,773,495 B2 7/2014 Saleh et al.
 8,797,377 B2 8/2014 Mauchly et al.
 D719,927 S * 12/2014 Aarrestad D14/127
 8,997,661 B1 4/2015 Kilday
 9,058,055 B2 6/2015 Ferren et al.
 D771,582 S * 11/2016 Williams D14/127
 D788,725 S * 6/2017 Tompkin D14/127
 D808,197 S * 1/2018 Castaneda Roldan D6/644
 D838,129 S * 1/2019 Castaneda Roldan D6/707
 10,219,614 B2 * 3/2019 Castaneda Roldan
 A47B 21/0314
 D845,010 S * 4/2019 Jingbo D6/337
 2004/0008423 A1 1/2004 Driscoll, Jr. et al.
 2004/0207718 A1 10/2004 Boyden et al.
 2004/0216647 A1 11/2004 Cvek
 2005/0062844 A1 3/2005 Ferren et al.
 2007/0279483 A1 12/2007 Beers et al.
 2007/0290531 A1 12/2007 Larsen
 2008/0237412 A1 10/2008 Chinuki et al.
 2009/0207233 A1 8/2009 Mauchly et al.
 2010/0118112 A1 5/2010 Nimri et al.
 2010/0208078 A1 8/2010 Tian et al.
 2011/0134204 A1 6/2011 Rodriguez et al.
 2012/0169838 A1 * 7/2012 Sekine H04N 7/144
 348/14.16
 2015/0150374 A1 6/2015 Jones

FOREIGN PATENT DOCUMENTS

DE 124355 B 6/1967
 DE 3331481 A1 3/1985
 DE 8707699 U1 9/1987
 DE 4207742 A1 9/1993
 DE 102008017995 A1 10/2009
 EP 740177 A2 10/1996
 EP 1610555 A1 12/2005
 FR 2758063 A1 7/1998
 GB 206400 A 11/1923
 GB 2396552 A 3/2004
 GB 2353429 A 6/2004
 GB 2484944 A 5/2010
 JP 4344789 A 12/1992

(56)

References Cited

FOREIGN PATENT DOCUMENTS

WO	WO1998047291	A2	10/1998
WO	WO200122848	A2	4/2001
WO	WO2008101117	A1	8/2008
WO	WO2009120814	A2	10/2009
WO	WO2010033036	A1	3/2010
WO	WO2010104765	A1	9/2010

* cited by examiner

Fig. 1

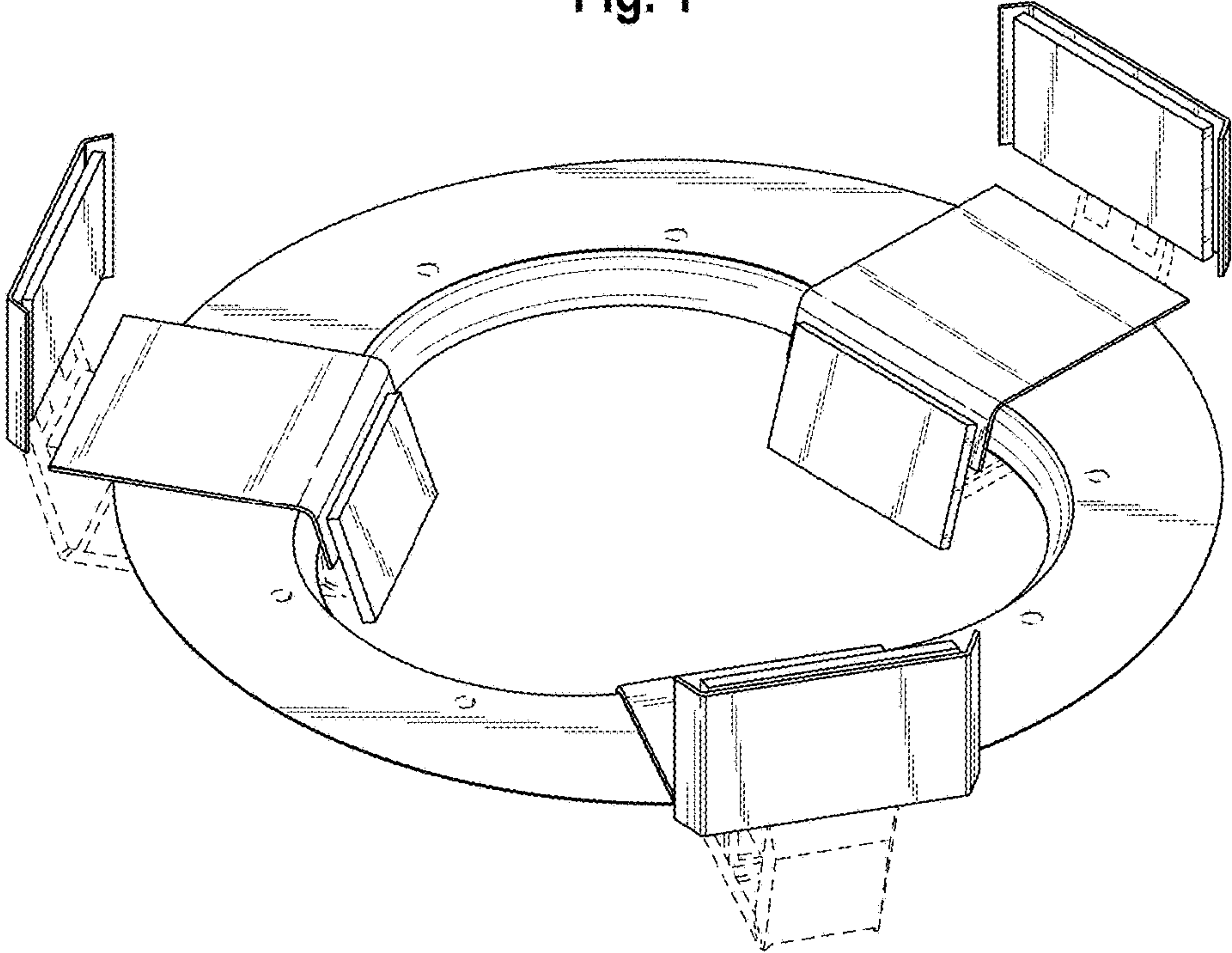


Fig. 2

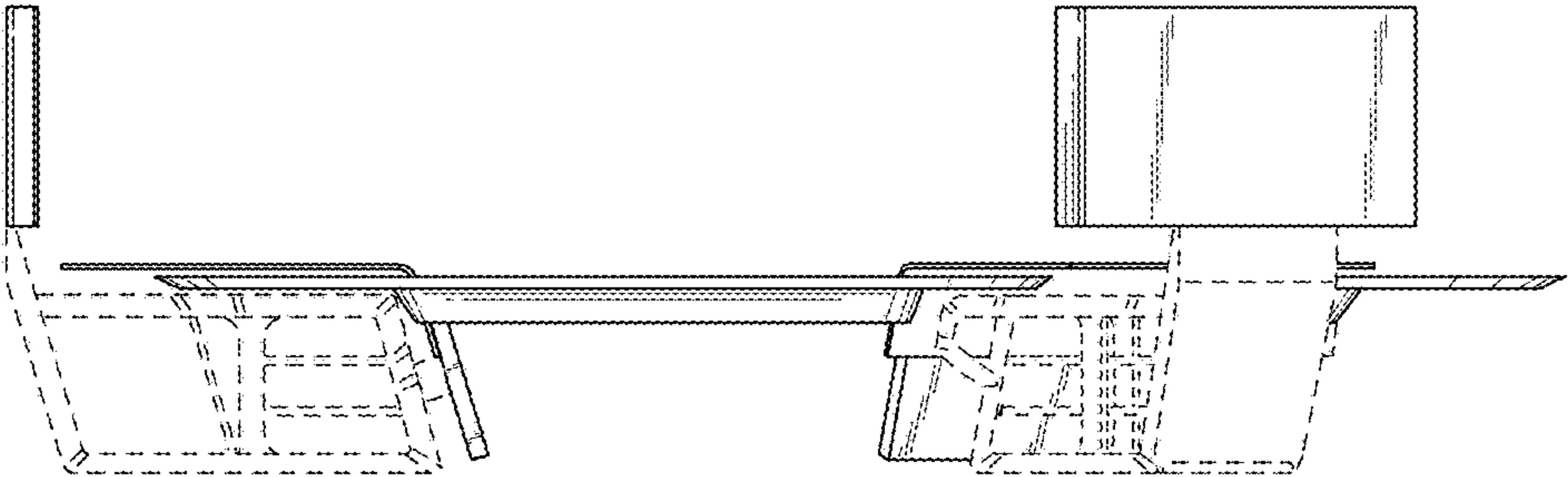


Fig. 3

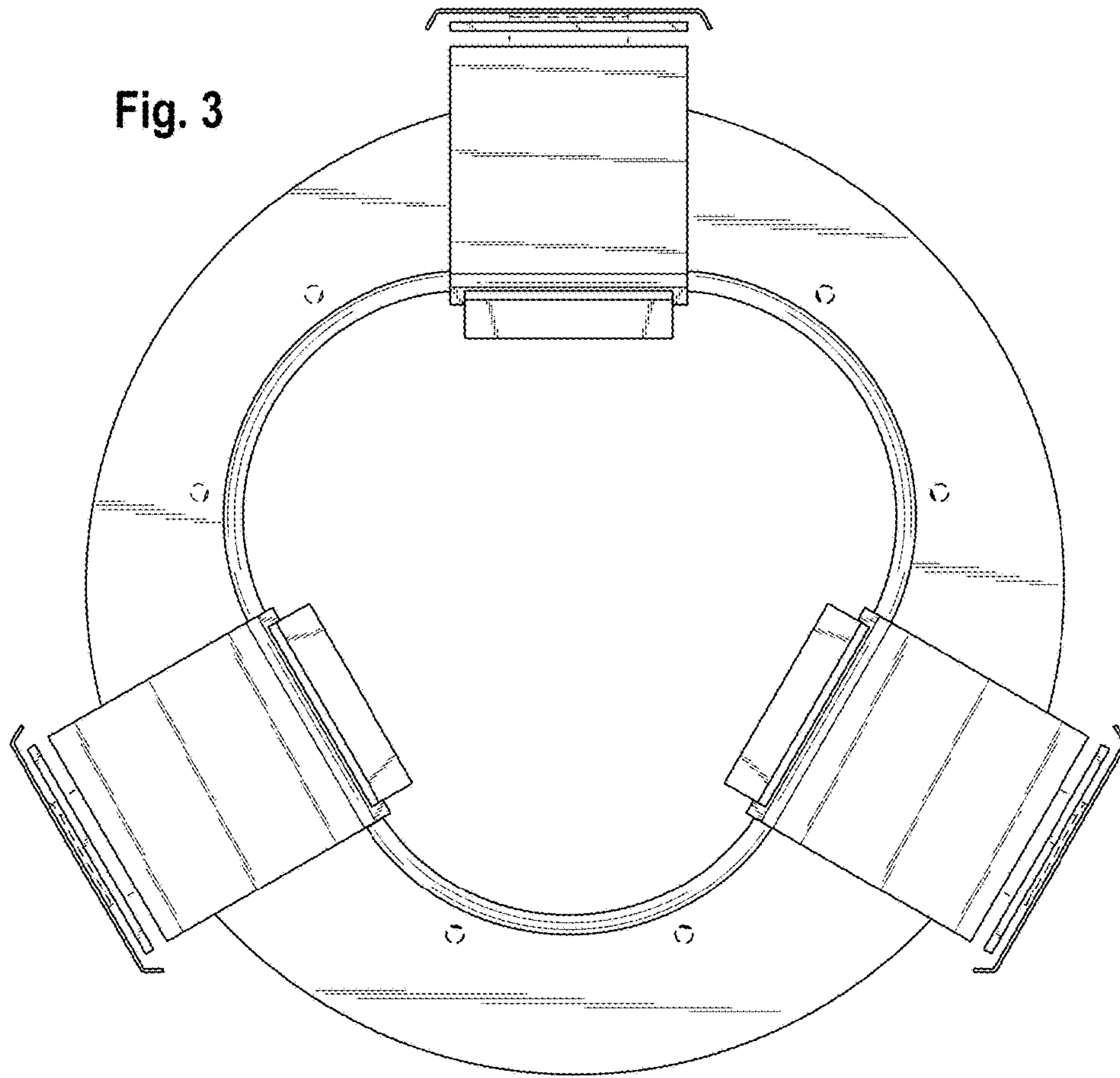


Fig. 4

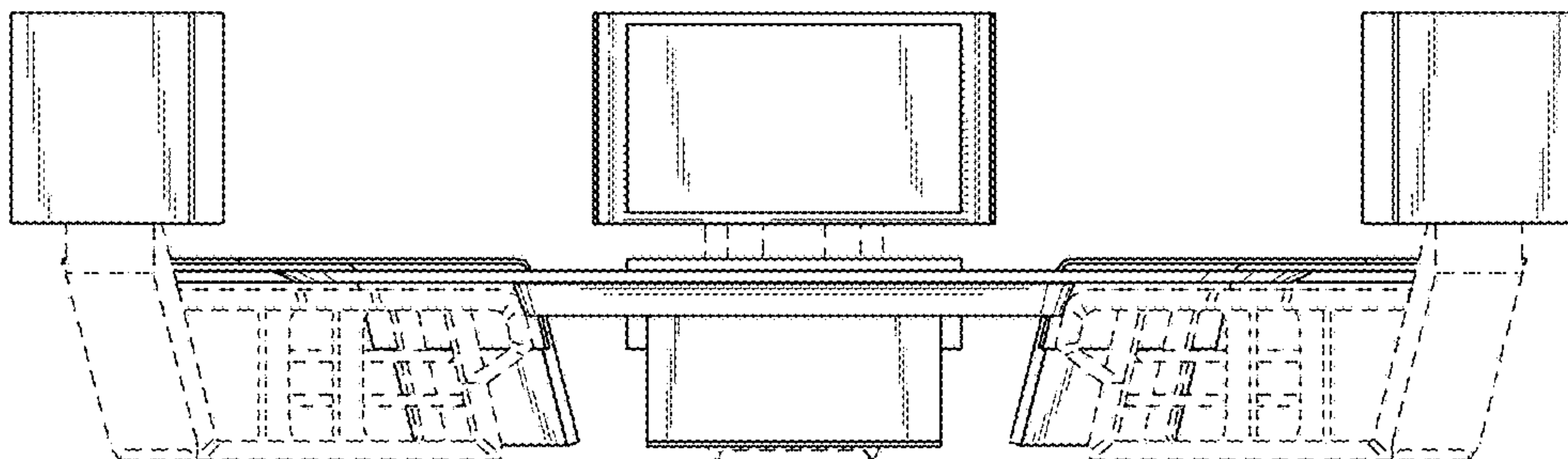


Fig. 5

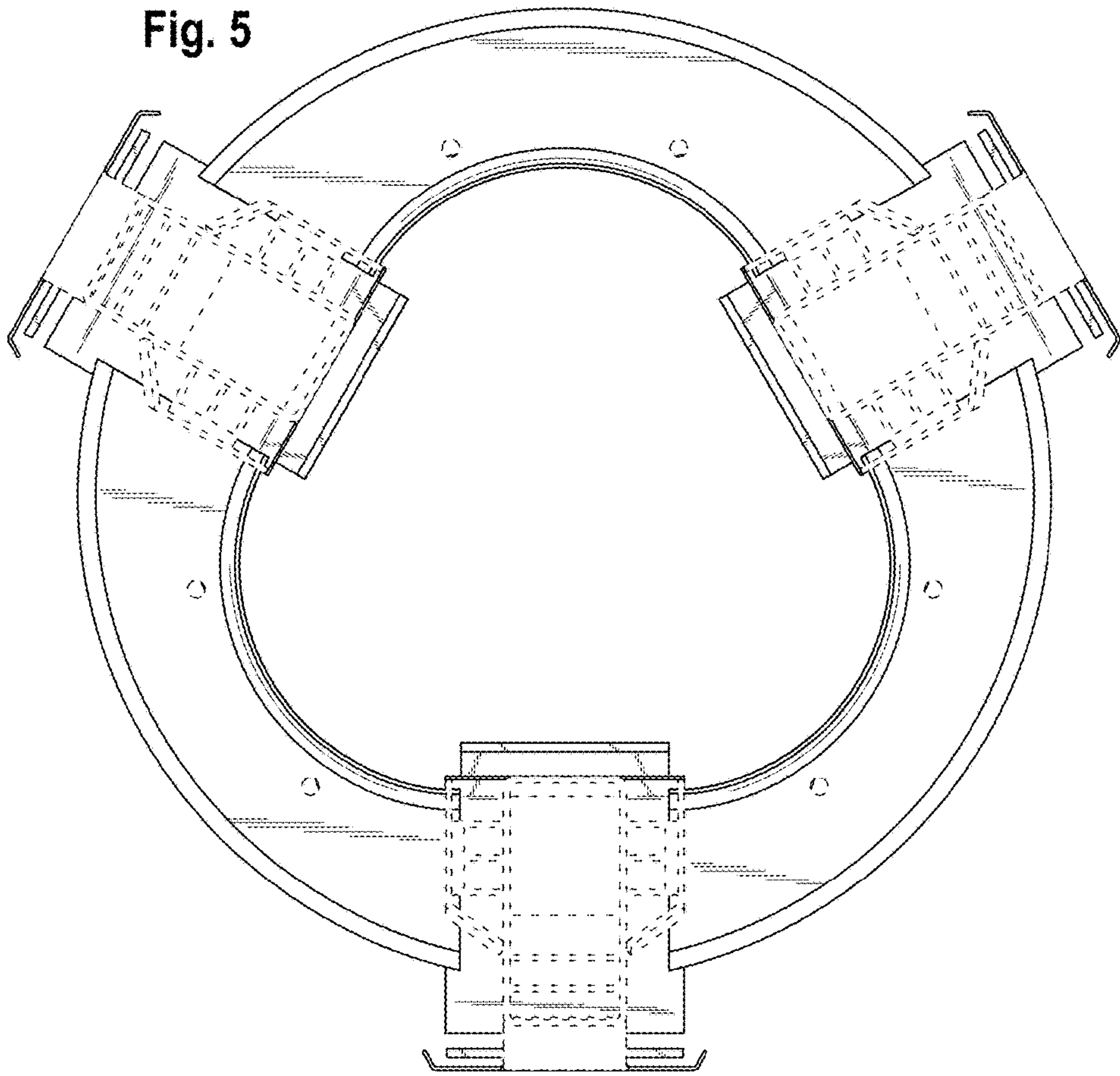


Fig. 6

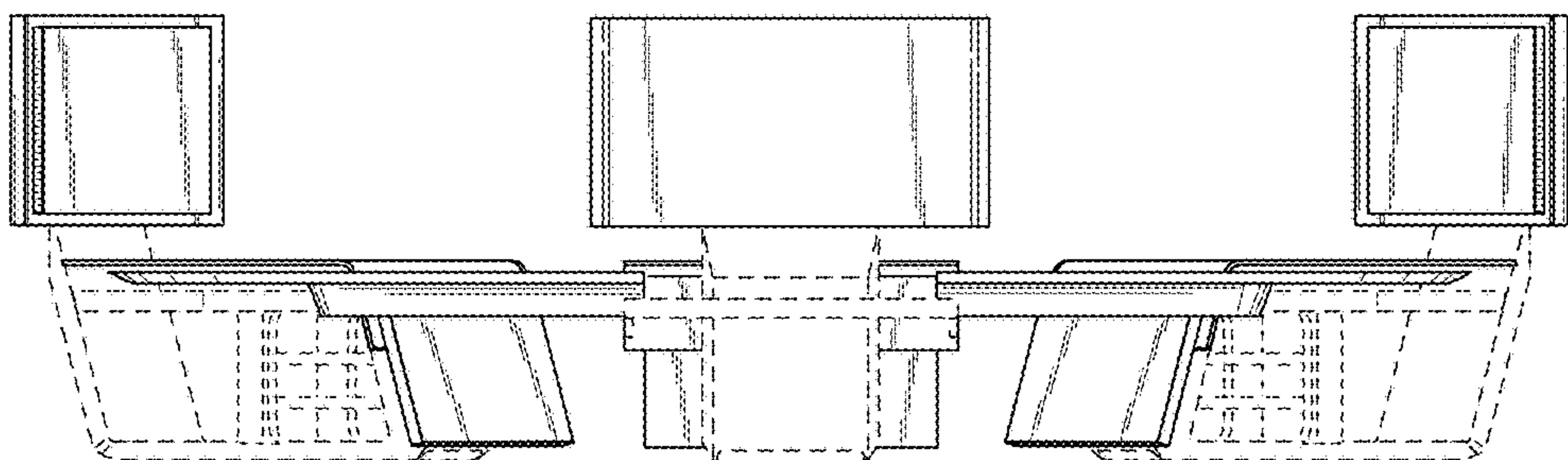


Fig. 7

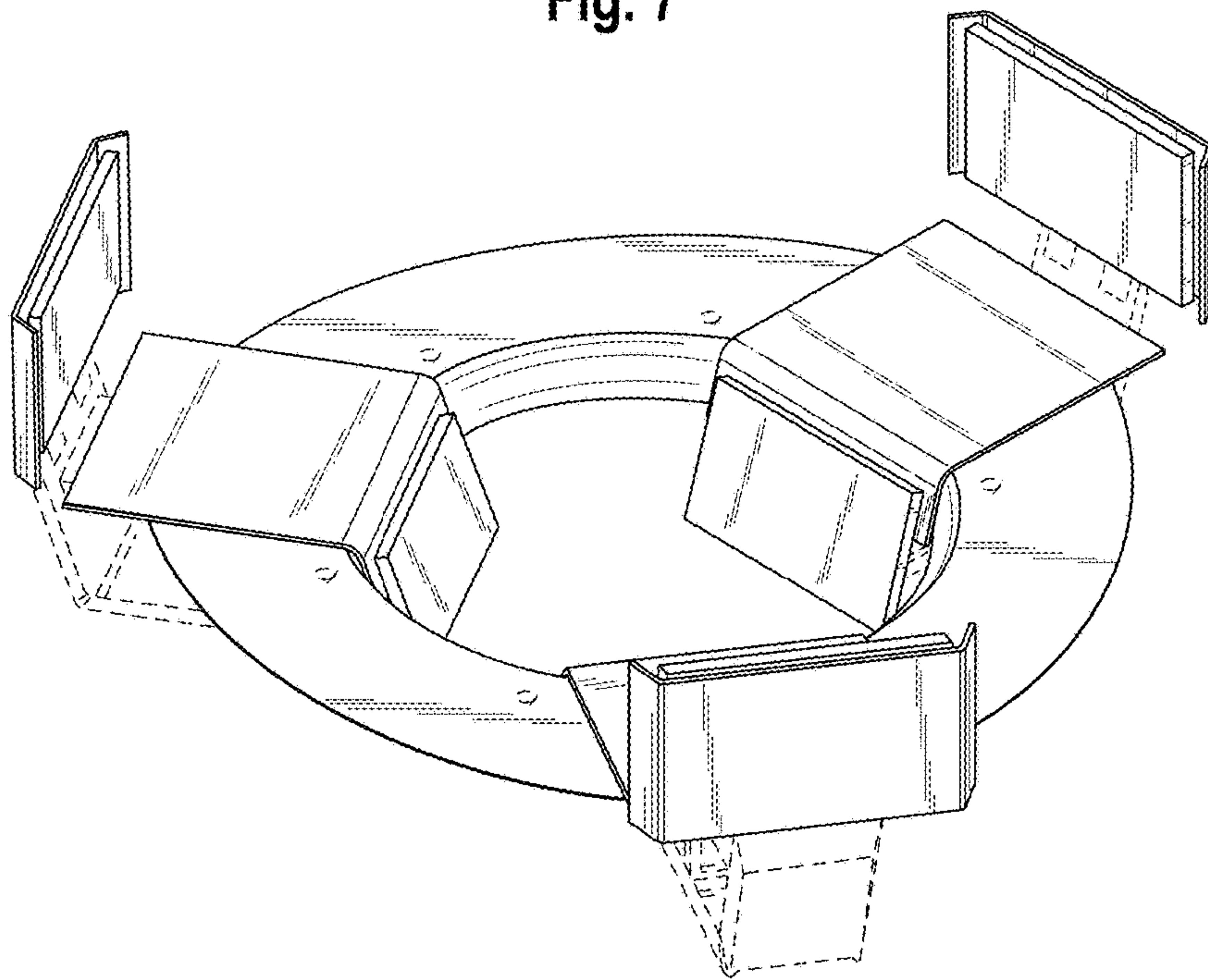


Fig. 8

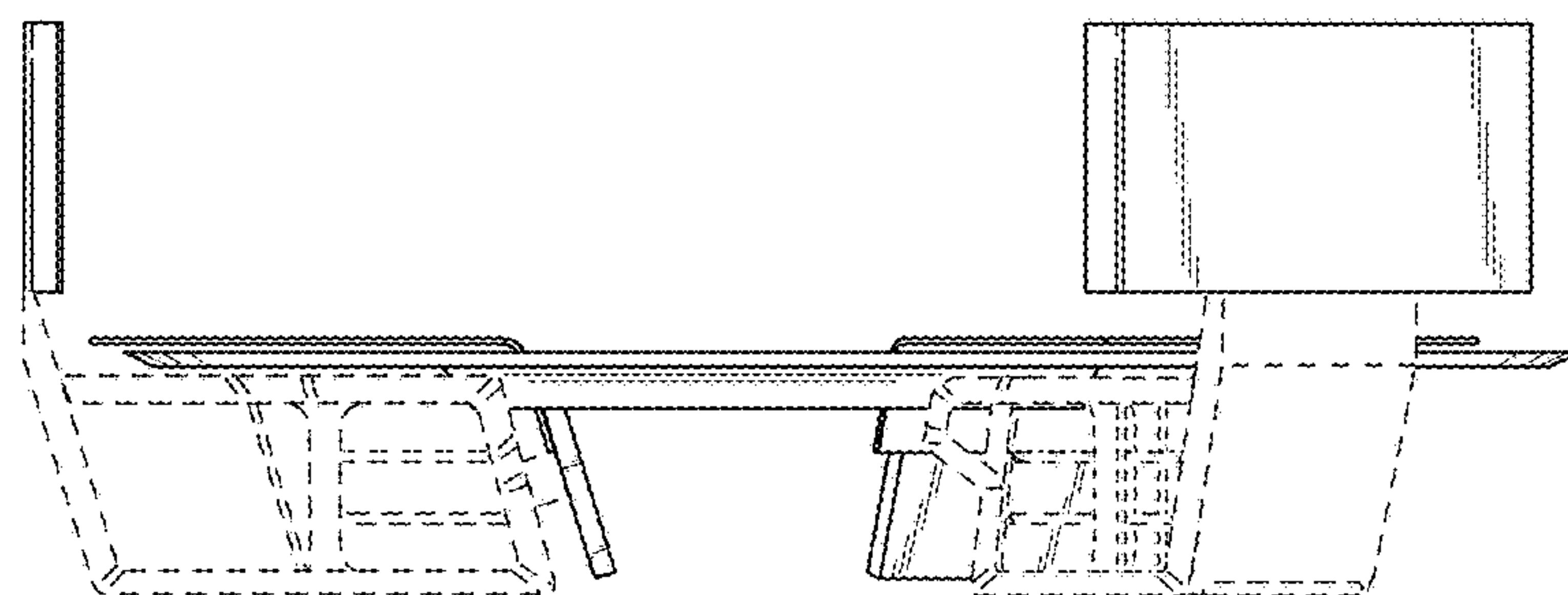


Fig. 9

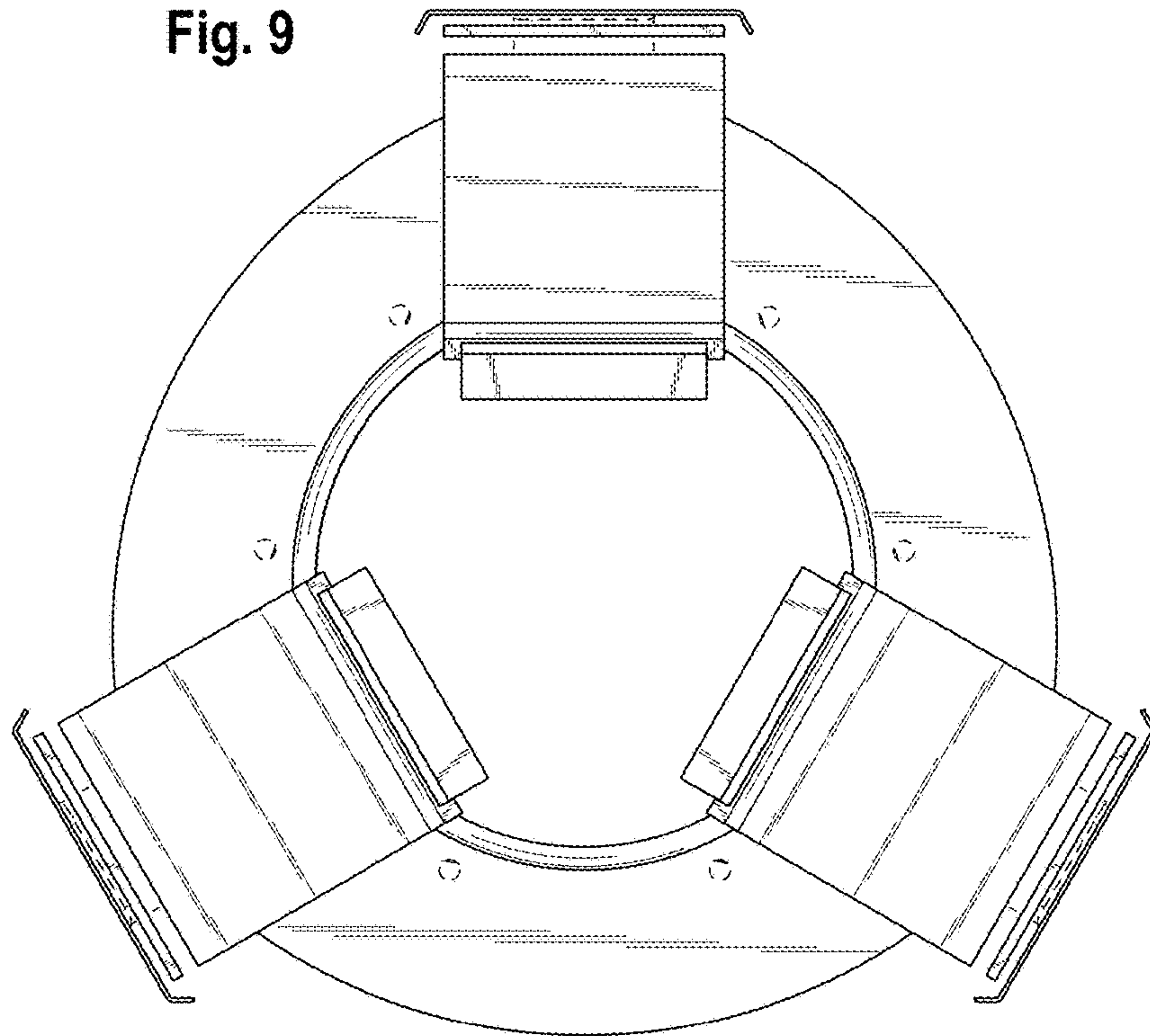


Fig. 10

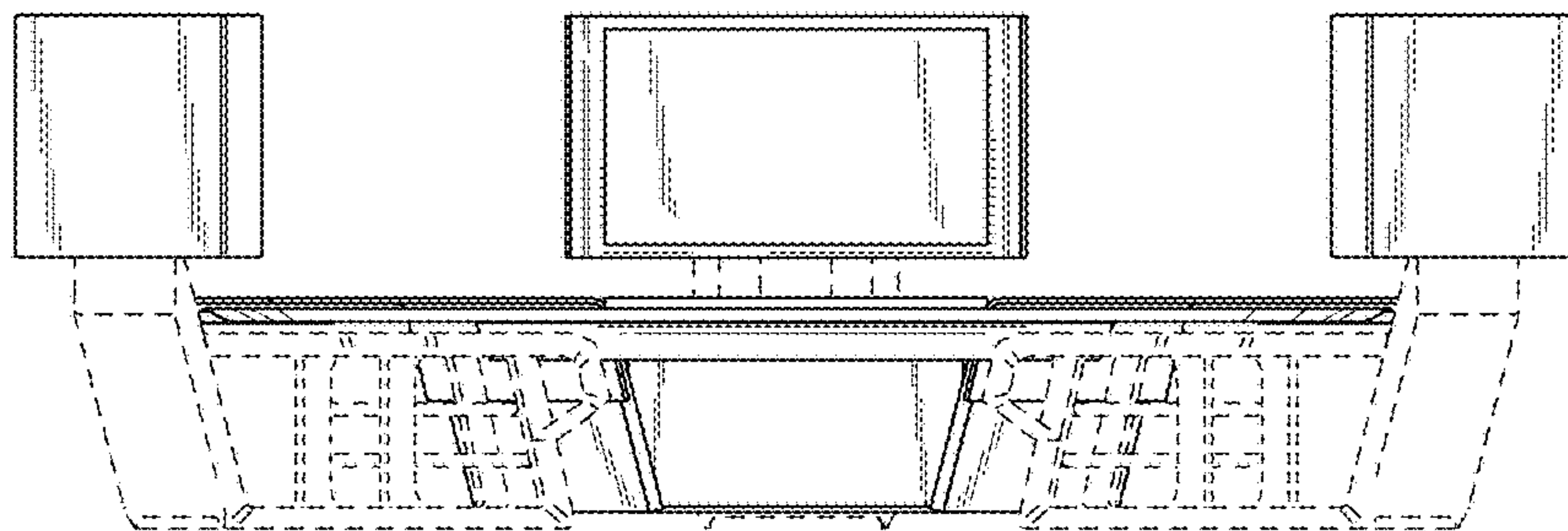


Fig. 11

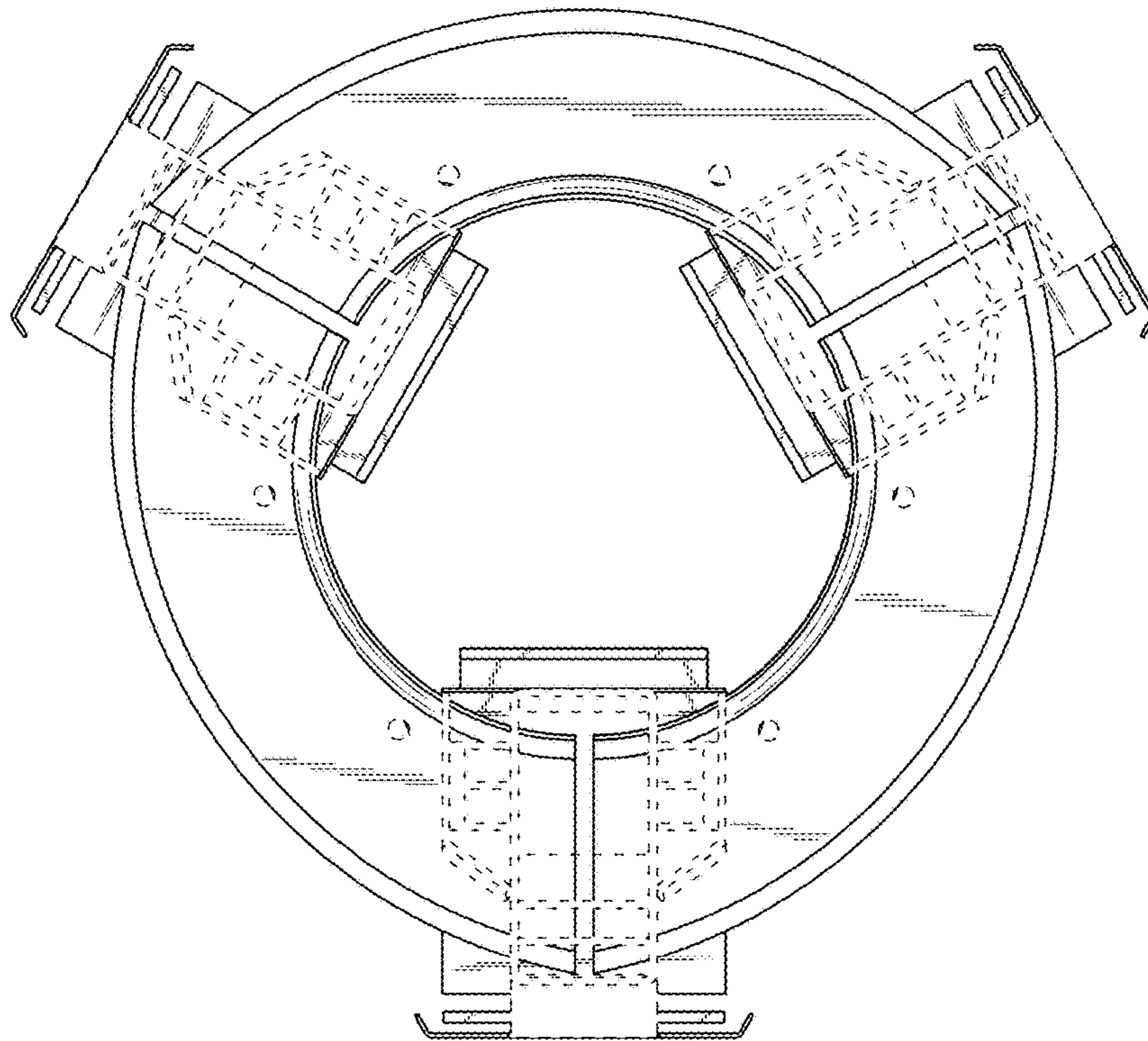


Fig. 12

