

US00D862124S

(12) **United States Design Patent** (10) **Patent No.:** **US D862,124 S**
Jensen et al. (45) **Date of Patent:** **** Oct. 8, 2019**

(54) **MATTRESS COVER ASSEMBLY**

FOREIGN PATENT DOCUMENTS

(71) Applicant: **Tempur-Pedic Management, LLC**,
Lexington, KY (US)

CA 157383 3/2016
CA 157385 3/2016

(Continued)

(72) Inventors: **Ida T. Jensen**, København N. (DK);
Elger Oberwelz, San Francisco, CA
(US); **Thomas D. C. Overthun**, San
Francisco, CA (US); **Eric Lopez**, San
Francisco, CA (US); **Isabela Dias de
Mello Sa**, San Francisco, CA (US);
Martin Schnitzer, San Francisco, CA
(US); **Thomas Brisebras**, San
Francisco, CA (US); **Kara W. Johnson**,
San Francisco, CA (US)

Primary Examiner — Michelle E. Wilson

Assistant Examiner — Sanjeev Paul

(74) *Attorney, Agent, or Firm* — Middleton Reutlinger

(73) Assignee: **Tempur World, LLC**, Lexington, KY
(US)

(57) **CLAIM**

The ornamental design for a mattress cover assembly, as
shown and described.

(**) Term: **15 Years**

DESCRIPTION

(21) Appl. No.: **29/654,203**

(22) Filed: **Jun. 21, 2018**

Related U.S. Application Data

(62) Division of application No. 29/478,139, filed on Dec.
31, 2013, now Pat. No. Des. 823,029.

(51) **LOC (12) Cl.** **06-99**

(52) **U.S. Cl.**
USPC **D6/606**

(58) **Field of Classification Search**
USPC D6/333, 349, 355, 375, 388, 512, 563,
D6/564, 595, 596, 601, 604, 611, 707,
(Continued)

FIG. 1 is a front elevational view of a mattress cover
assembly of the present invention in accordance with
another alternative embodiment of the mattress cover assem-
bly;

FIG. 2 is a rear elevational view of the mattress cover
assembly of FIG. 1;

FIG. 3 is a left side elevational view of the mattress cover
assembly of FIG. 1;

FIG. 4 is a right side elevational view of the mattress cover
assembly of FIG. 1;

FIG. 5 is a top view of the mattress cover assembly of FIG.
1;

FIG. 6 is a bottom view of the mattress cover assembly of
FIG. 1; and,

FIG. 7 is a perspective view of the mattress cover assembly
of FIG. 1.

The broken lines shown in the drawings are included for
purpose of illustrating unclaimed boundary and unclaimed
portions of the mattress cover assembly and form no part of
the claimed design.

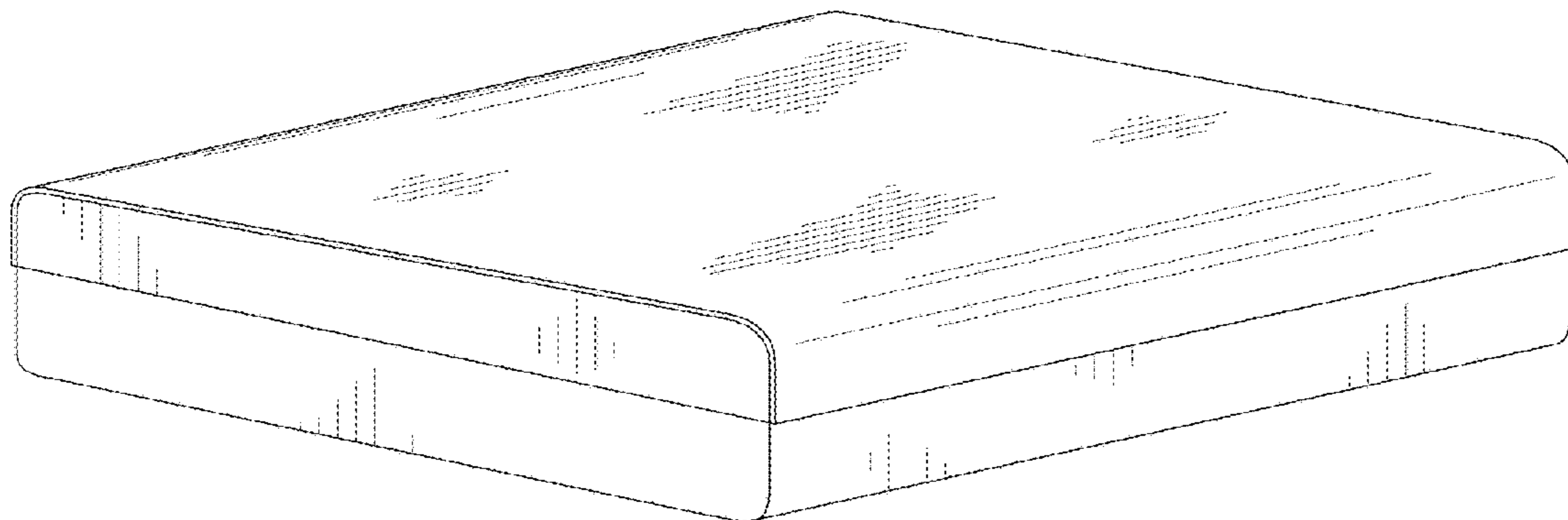
(56) **References Cited**

U.S. PATENT DOCUMENTS

D512,869 S * 12/2005 Green-Law D6/596
D583,606 S * 12/2008 Mazzuca D6/606

(Continued)

1 Claim, 5 Drawing Sheets



(58) **Field of Classification Search**

USPC D6/715, 716, 716.1; D24/183-185, 234;
 D21/803, 804, 805, 809; 5/401, 420,
 5/600, 630, 631, 632, 633, 635, 636, 638,
 5/639, 646, 652, 652.1, 655, 703, 730;
 297/401, 420, 600, 630, 631, 632, 633,
 297/635, 636, 638, 639, 646, 652, 652.1,
 297/655, 703, 730
 CPC A47G 9/10; A47G 9/1009; A47G 9/1027;
 A47G 9/1045; A47G 9/1063; A47G
 9/1072; A47G 9/00; A47G 9/02; A47G
 9/0207; A47G 9/0215; A47G 9/0223;
 A47G 9/023; A47G 9/0238; A47G
 9/0246; A47G 9/0253; A47G 9/0261;
 A47G 2009/001; A47G 2009/002; A47G
 2009/003; A47G 2009/005; A47G
 2009/006; A47G 9/06; A47G 9/062;
 A47G 9/066; A47G 9/068; A47G 9/08;
 A47G 9/0284; A47G 9/0292; A47G 9/04

See application file for complete search history.

D746,083 S * 12/2015 Jensen D6/606
 D746,084 S * 12/2015 Jensen D6/606
 D746,085 S * 12/2015 Jensen D6/606
 D762,079 S * 7/2016 Oberwelz D6/606
 D763,013 S * 8/2016 Arnold D6/606
 D763,602 S * 8/2016 Oberwelz D6/606
 D766,017 S * 9/2016 Jensen D6/606
 D767,306 S * 9/2016 Oberwelz D6/606
 D776,959 S * 1/2017 Arnold D6/605
 D799,858 S * 10/2017 Pearce D6/605
 D802,964 S * 11/2017 Alletto, Jr. D6/605
 D804,221 S * 12/2017 Alletto, Jr. D6/605
 D811,776 S * 3/2018 Desodt D6/603
 9,980,578 B2 * 5/2018 Mikkelsen A47C 21/042
 D823,029 S * 7/2018 Jensen D6/606
 D830,729 S * 10/2018 Alletto, Jr. D6/596
 D830,730 S * 10/2018 Alletto, Jr. D6/596
 D830,731 S * 10/2018 Alletto, Jr. D6/596
 D831,383 S 10/2018 Alletto, Jr.
 D833,778 S * 11/2018 Desodt D6/606
 2006/0135014 A1 * 6/2006 Murphy A47C 31/001
 442/304

FOREIGN PATENT DOCUMENTS

(56)

References Cited

U.S. PATENT DOCUMENTS

D651,443 S * 1/2012 Wightman D6/605
 D665,615 S * 8/2012 Frame, Jr. D6/606
 D673,412 S * 1/2013 Roberts D6/605
 D674,229 S * 1/2013 Roberts D6/605
 D691,831 S * 10/2013 Jorgensen D6/605
 D703,977 S * 5/2014 Roberts D6/601
 D704,478 S * 5/2014 Arnold D6/605
 D704,965 S * 5/2014 Arnold D6/605
 D707,986 S * 7/2014 Arnold D6/605
 D717,077 S * 11/2014 Arnold D6/605
 D717,078 S * 11/2014 Arnold D6/605
 D719,766 S * 12/2014 Arnold D6/605
 D727,663 S * 4/2015 Jensen D6/606
 D733,464 S * 7/2015 Nielsen D6/606

CA 165113 3/2016
 CA 165114 3/2016
 CA 165115 3/2016
 CA 165116 3/2016
 CN ZL201430212532.2 4/2015
 CN ZL201430212315.3 6/2015
 EM 002490755 6/2014
 EM 002491076 6/2014
 JP 1527691 5/2015
 JP 1527842 5/2015
 JP 1528897 6/2015
 JP 1528932 6/2015
 JP 1533578 8/2015
 JP 1533740 8/2015
 JP 1533741 8/2015

* cited by examiner

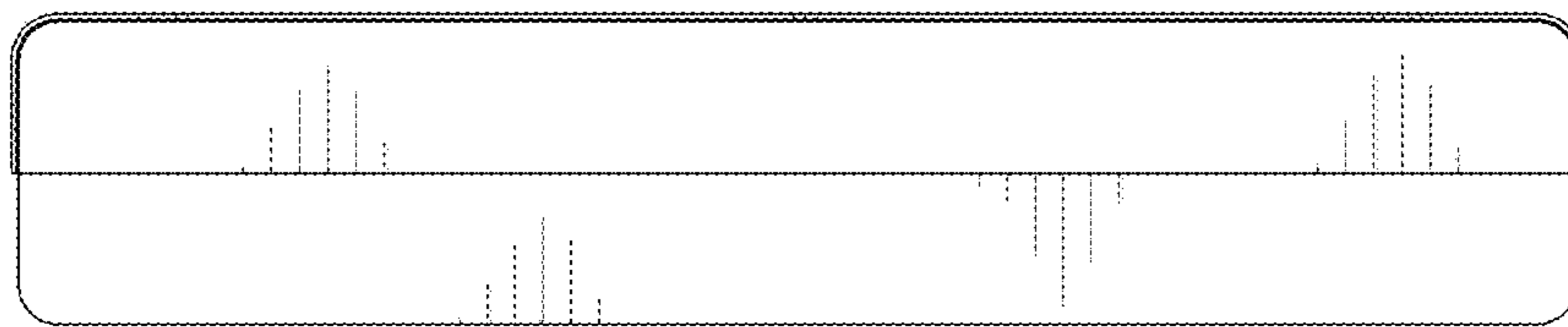


FIG. 1



FIG. 2

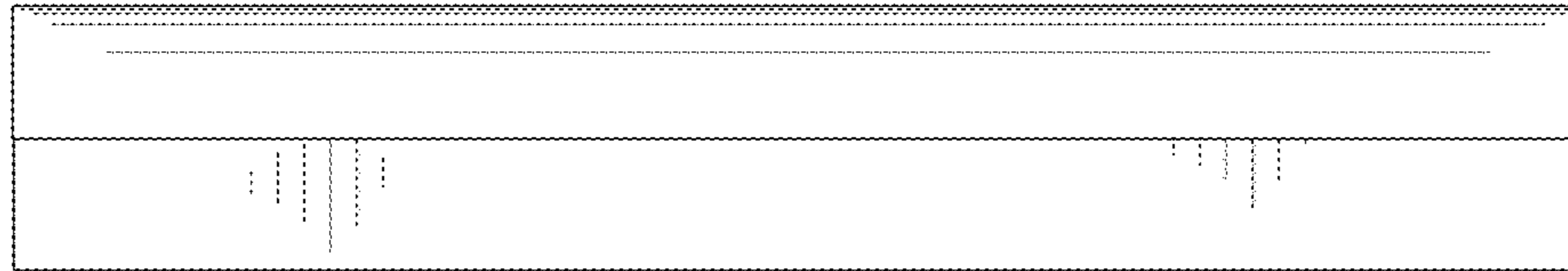


FIG. 3

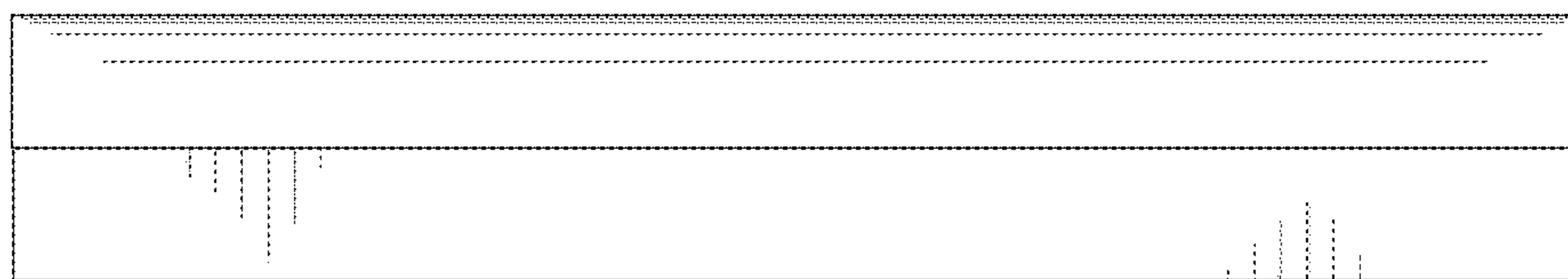


FIG. 4

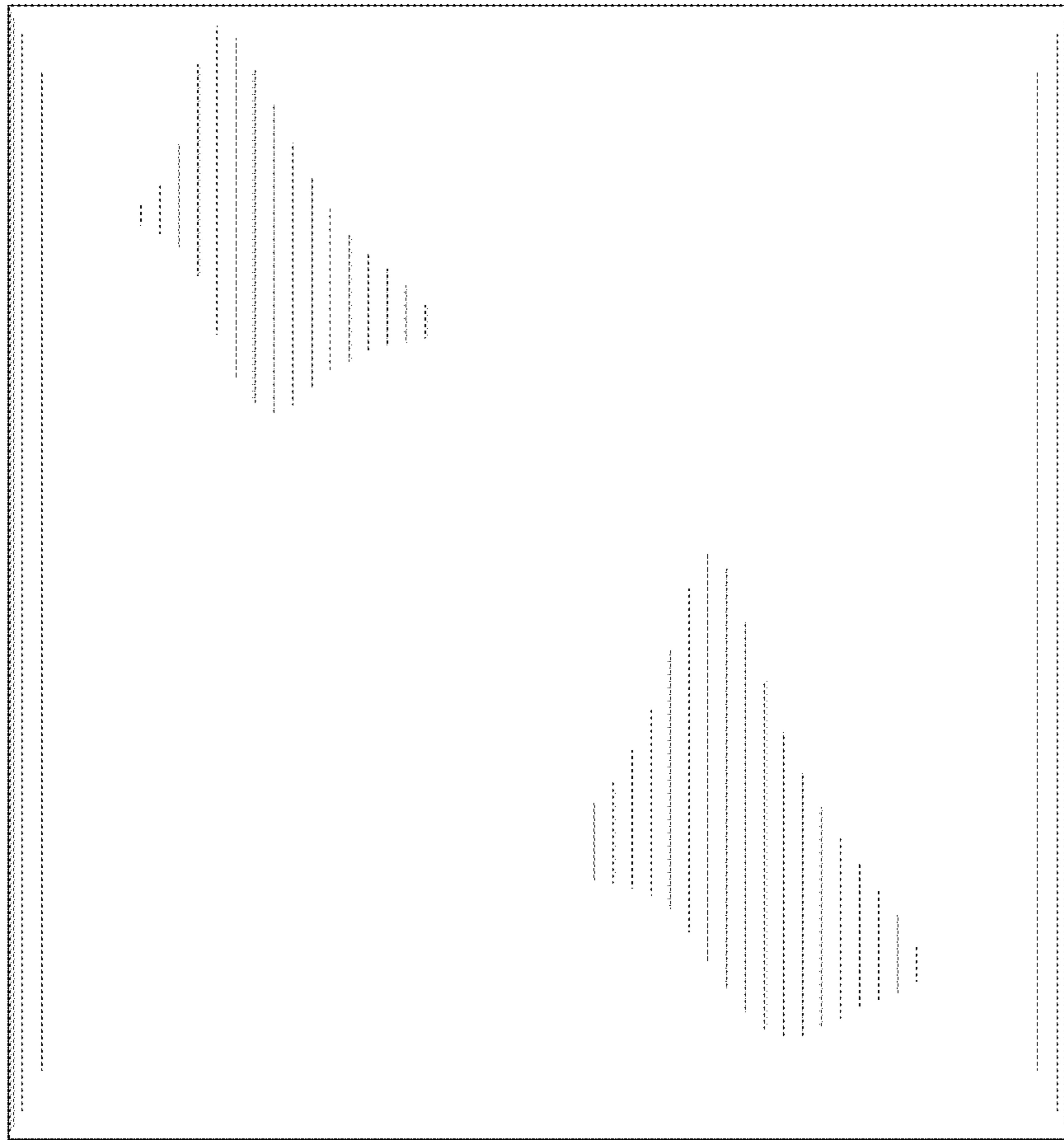


FIG. 5

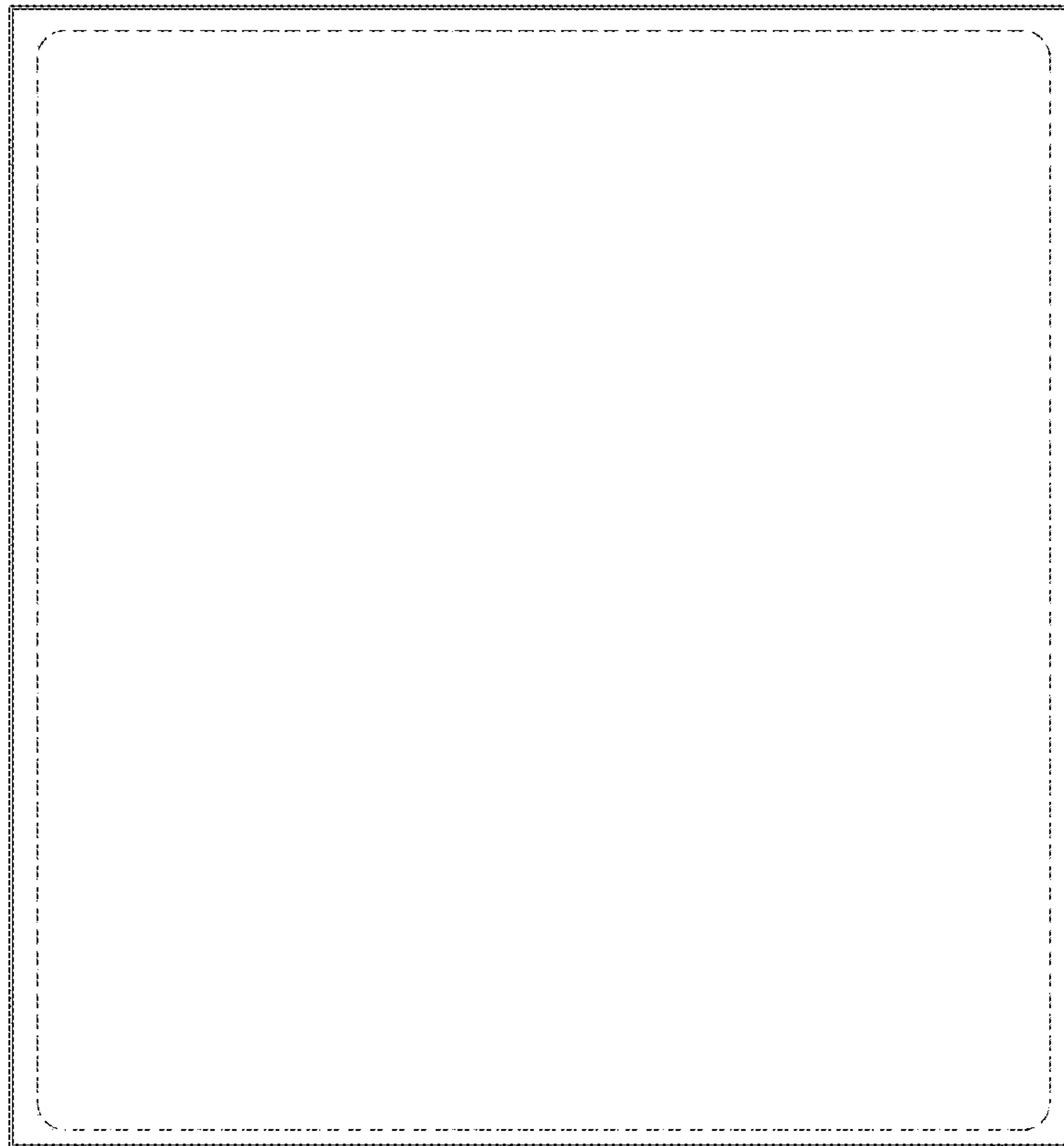


FIG. 6

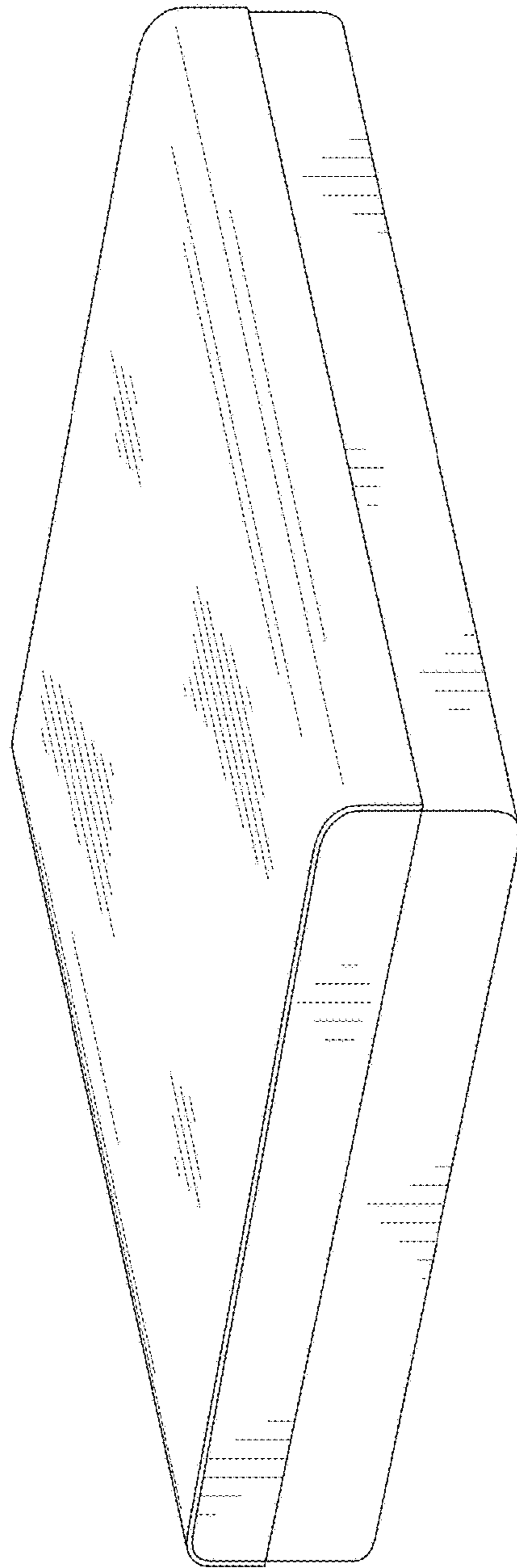


FIG. 7