



US00D862120S

(12) **United States Design Patent** (10) **Patent No.:** **US D862,120 S**
Clute (45) **Date of Patent:** **** Oct. 8, 2019**

(54) **INFLATABLE INFANT SUPPORT**
(71) Applicant: **Keezio Group, LLC**, Alamo, CA (US)
(72) Inventor: **Lorne Jason Clute**, Alamo, CA (US)
(73) Assignee: **Keezio Group, LLC**, Alamo, CA (US)
(**) Term: **15 Years**

D360,554 S * 7/1995 Righini D21/809
D364,302 S 11/1995 Cloud
D374,578 S 10/1996 Gibson
D377,881 S 2/1997 Watt
D381,233 S 7/1997 Torbik
D394,978 S 6/1998 Smith
D412,082 S * 7/1999 Goodrich D6/601
D419,024 S 1/2000 Lenahan
6,079,067 A * 6/2000 Becker A47D 13/08
5/652
D443,461 S 6/2001 Hall
(Continued)

(21) Appl. No.: **29/692,226**
(22) Filed: **May 23, 2019**
(51) **LOC (12) Cl.** **06-09**
(52) **U.S. Cl.**
USPC **D6/604**
(58) **Field of Classification Search**
USPC D6/595-604, 606
CPC .. A47C 20/025; A47C 20/026; A47G 9/1027;
A47G 9/10; A47G 2009/1018; A47G
9/1081
See application file for complete search history.

Primary Examiner — Mary Ann Calabrese
Assistant Examiner — Jennifer L Rempfer
(74) *Attorney, Agent, or Firm* — Daniel C. Pierron;
Wideman Malek, PL

(57) **CLAIM**

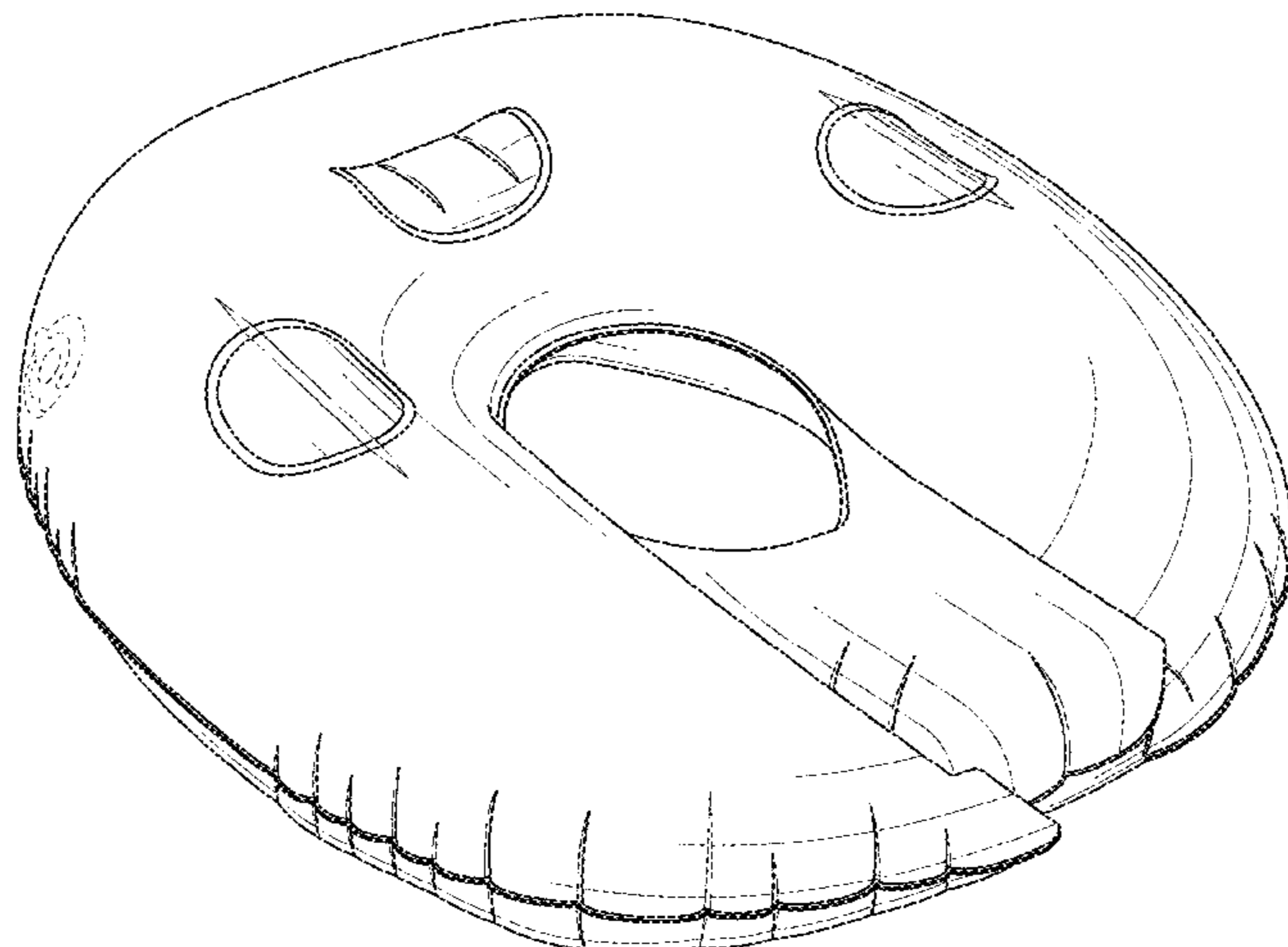
The ornamental design for an inflatable infant support, as shown and described.

DESCRIPTION

FIG. 1 is a front perspective view of an inflatable infant support according to the present invention.
FIG. 2 is a front view of the inflatable infant support illustrated in FIG. 1.
FIG. 3 is a rear view of the inflatable infant support illustrated in FIG. 1.
FIG. 4 is a right-side view of the inflatable infant support illustrated in FIG. 1.
FIG. 5 is a left-side view of the inflatable infant support illustrated in FIG. 1.
FIG. 6 is a top view of the inflatable infant support illustrated in FIG. 1; and,
FIG. 7 is a bottom view of the inflatable infant support illustrated in FIG. 1.
The broken lines depict environment elements of inflatable infant support that form no part of the claimed design.

(56) **References Cited**
U.S. PATENT DOCUMENTS
D22,121 S * 1/1893 Varnum D6/604
D33,613 S 11/1900 Meinecke
D33,763 S 12/1900 Meinecke
D34,982 S * 8/1901 Meinecke D6/604
D35,470 S 12/1901 Meinecke
D35,654 S * 2/1902 Meinecke D6/604
D59,900 S * 12/1921 Marsh D6/604
D188,891 S 9/1960 Emery
D202,762 S * 11/1965 Emery D6/604
D230,454 S * 2/1974 Thompson D6/604
D255,966 S 7/1980 Stadel
D284,139 S 6/1986 Ko
D284,436 S 7/1986 Hodges
D301,669 S 6/1989 Dwelly
D322,380 S 12/1991 El-Asir
D335,060 S 4/1993 Dial
D355,999 S 3/1995 Townsend

1 Claim, 5 Drawing Sheets



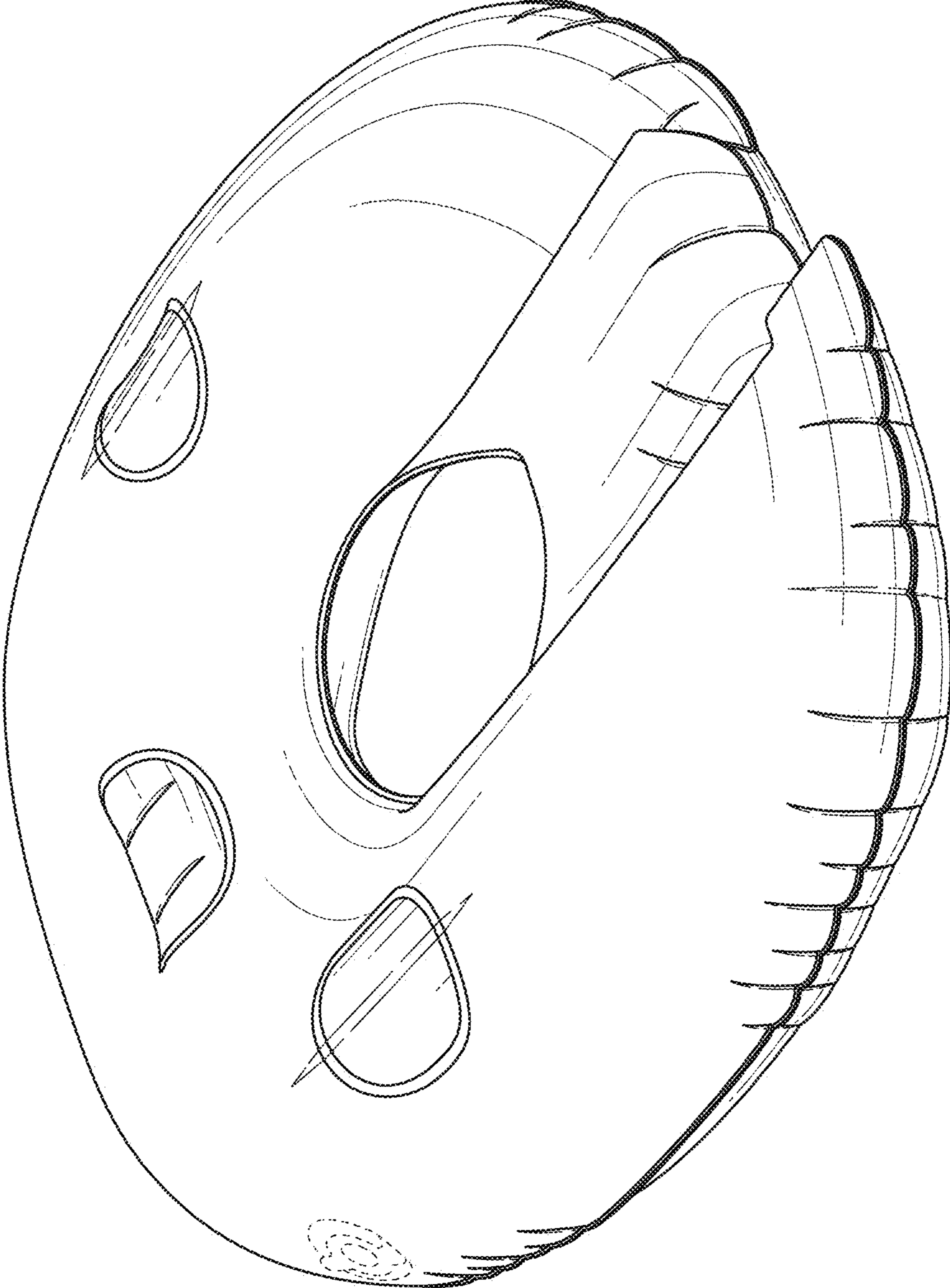


FIG. 1

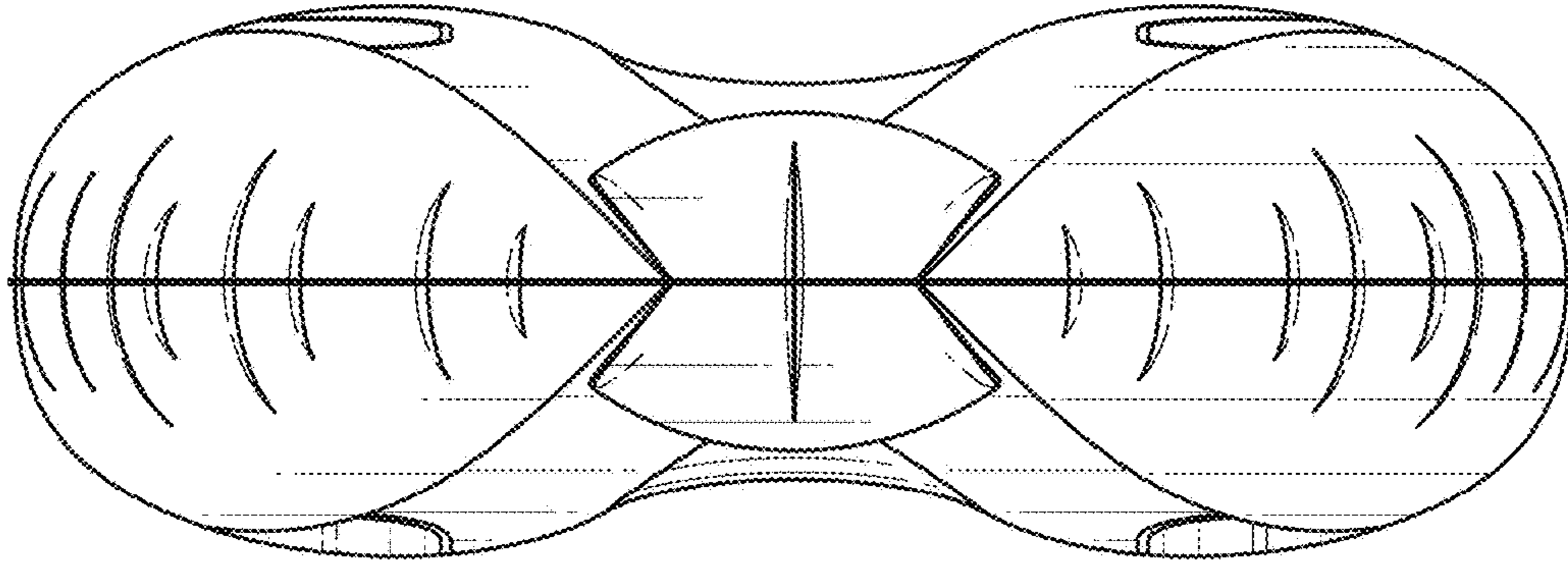


FIG. 2

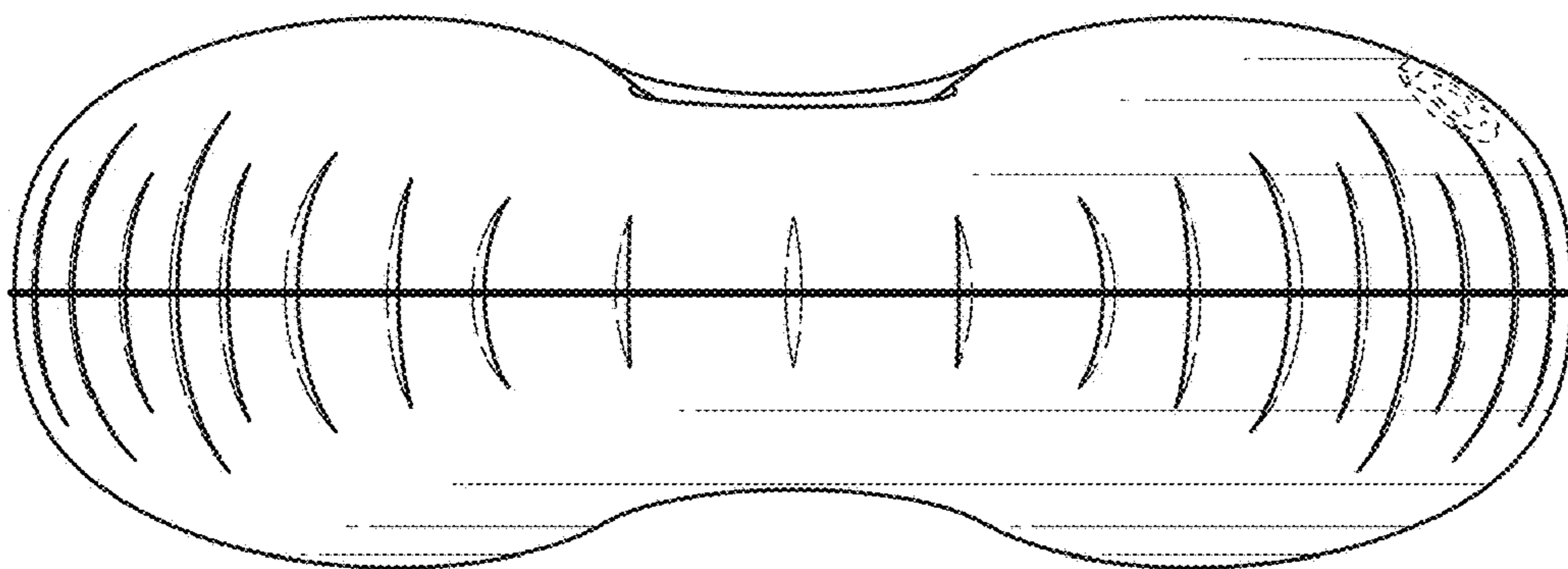


FIG. 3

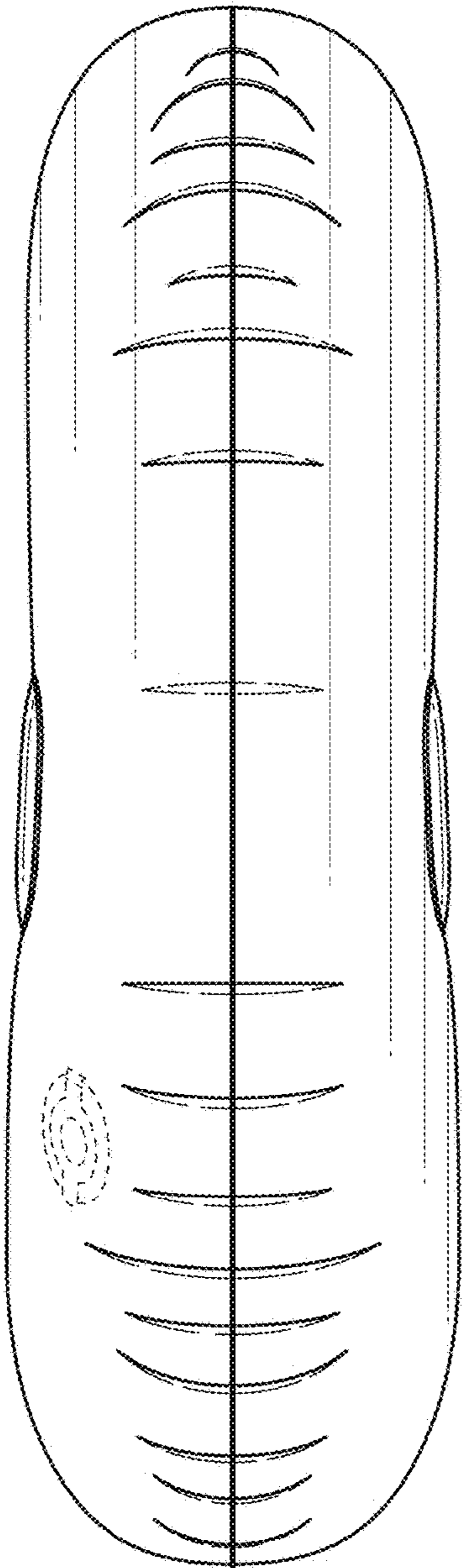


FIG. 4

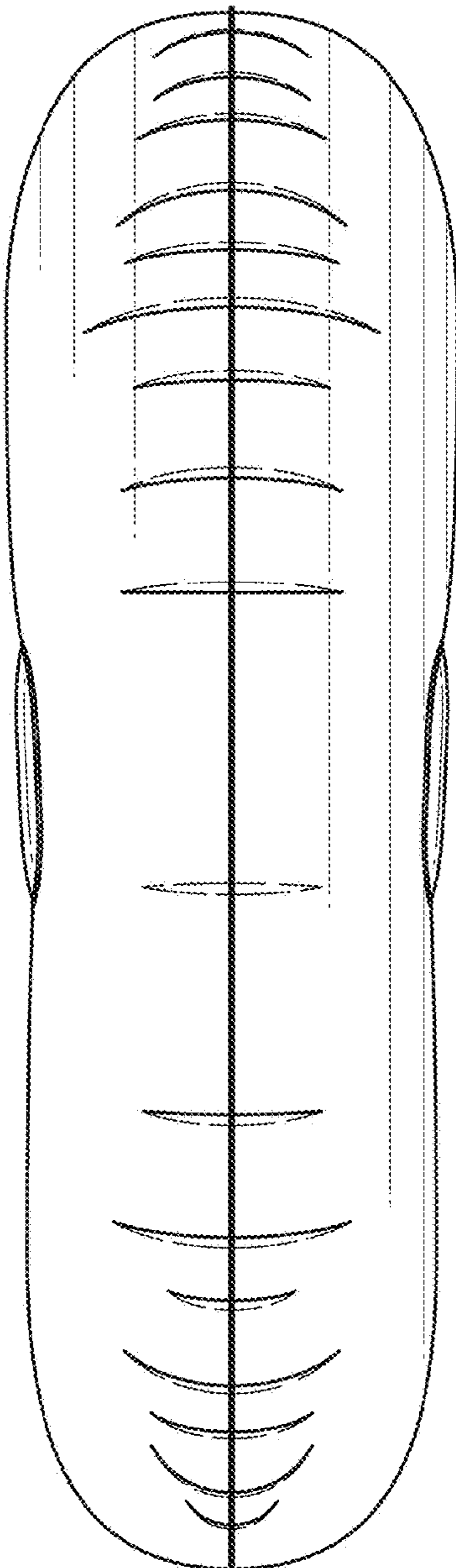


FIG. 5

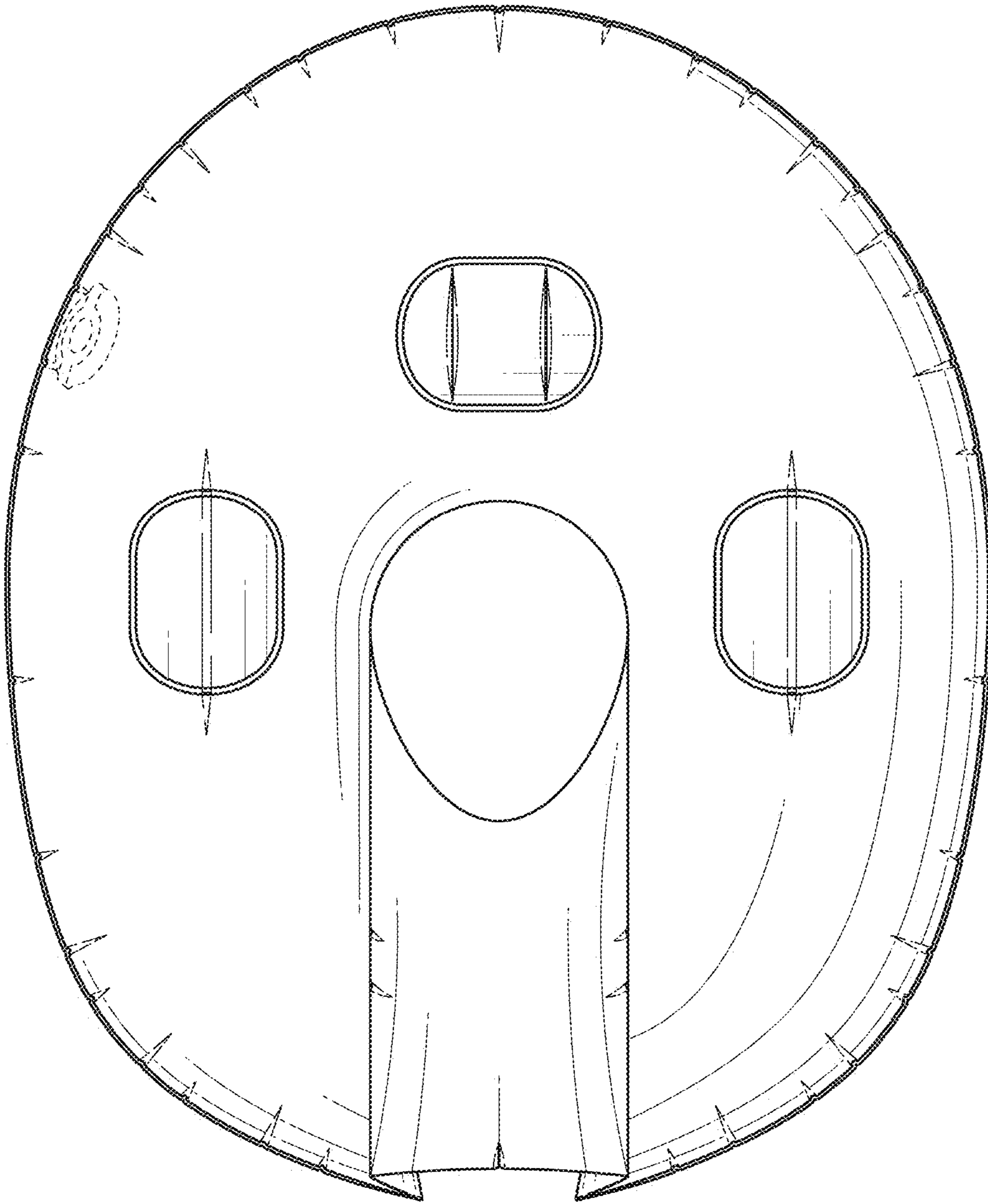


FIG. 6

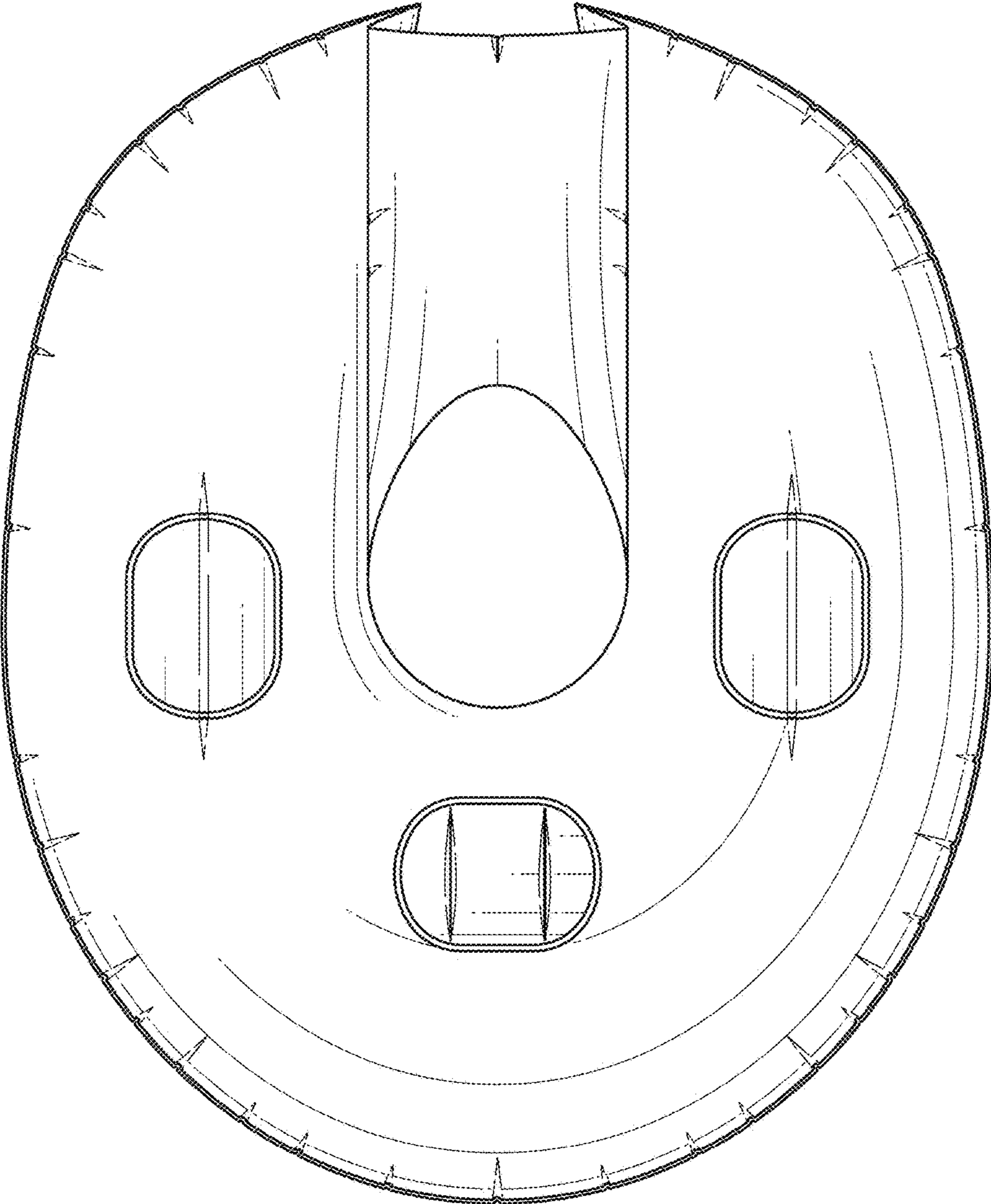


FIG. 7