

US00D862116S

(12) **United States Design Patent**
Zanki et al.

(10) **Patent No.:** **US D862,116 S**

(45) **Date of Patent:** **** *Oct. 8, 2019**

(54) **SUPPORT APPARATUS**

A47G 9/066; A47G 9/068; A47G 9/08;
A47G 9/0284; A47G 9/0292; A47G 9/04

See application file for complete search history.

(71) Applicants: **Logan Zanki**, Wilmington, NC (US);
Kathleen Zanki, Wilmington, NC (US)

(72) Inventors: **Logan Zanki**, Wilmington, NC (US);
Kathleen Zanki, Wilmington, NC (US)

(*) Notice: This patent is subject to a terminal disclaimer.

(**) Term: **15 Years**

(21) Appl. No.: **29/649,835**

(22) Filed: **Jun. 1, 2018**

Related U.S. Application Data

(60) Continuation-in-part of application No. 29/634,581,
filed on Jan. 23, 2018, which is a continuation-in-part
(Continued)

(51) **LOC (12) Cl.** **06-09**

(52) **U.S. Cl.**
USPC **D6/601**

(58) **Field of Classification Search**
USPC D6/333, 349, 355, 375, 388, 512, 563,
D6/564, 595, 596, 601, 604, 611, 707,
D6/715, 716, 716.1; D24/183-185, 234;
D21/803, 804, 805, 809; 5/401, 420,
5/600, 630, 631, 632, 633, 635, 636, 638,
5/639, 646, 652, 652.1, 655, 703, 730;
297/401, 420, 600, 630, 631, 632, 633,
297/635, 636, 638, 639, 646, 652, 652.1,
297/655, 703, 730

CPC A47G 9/10; A47G 9/1009; A47G 9/1027;
A47G 9/1045; A47G 9/1063; A47G
9/1072; A47G 9/00; A47G 9/02; A47G
9/0207; A47G 9/0215; A47G 9/0223;
A47G 9/023; A47G 9/0238; A47G
9/0246; A47G 9/0253; A47G 9/0261;
A47G 2009/001; A47G 2009/002; A47G
2009/003; A47G 2009/005; A47G
2009/006; A47G 9/06; A47G 9/062;

(56) **References Cited**

U.S. PATENT DOCUMENTS

2,089,854 A 8/1937 Pellegrini
3,118,152 A 1/1964 Talley, Jr.

(Continued)

FOREIGN PATENT DOCUMENTS

GB 2425468 11/2006
GB 2439916 1/2008
GB 2471467 1/2011

OTHER PUBLICATIONS

Cozy Bump, announced Aug. 2017, [online], [site visited Oct. 27,
2018]. Available from Internet, <URL: <https://www.cozybump.com/>> (Year: 2017).*

(Continued)

Primary Examiner — Michelle E. Wilson

Assistant Examiner — Sanjeev Paul

(74) *Attorney, Agent, or Firm* — Gearhart Law, LLC

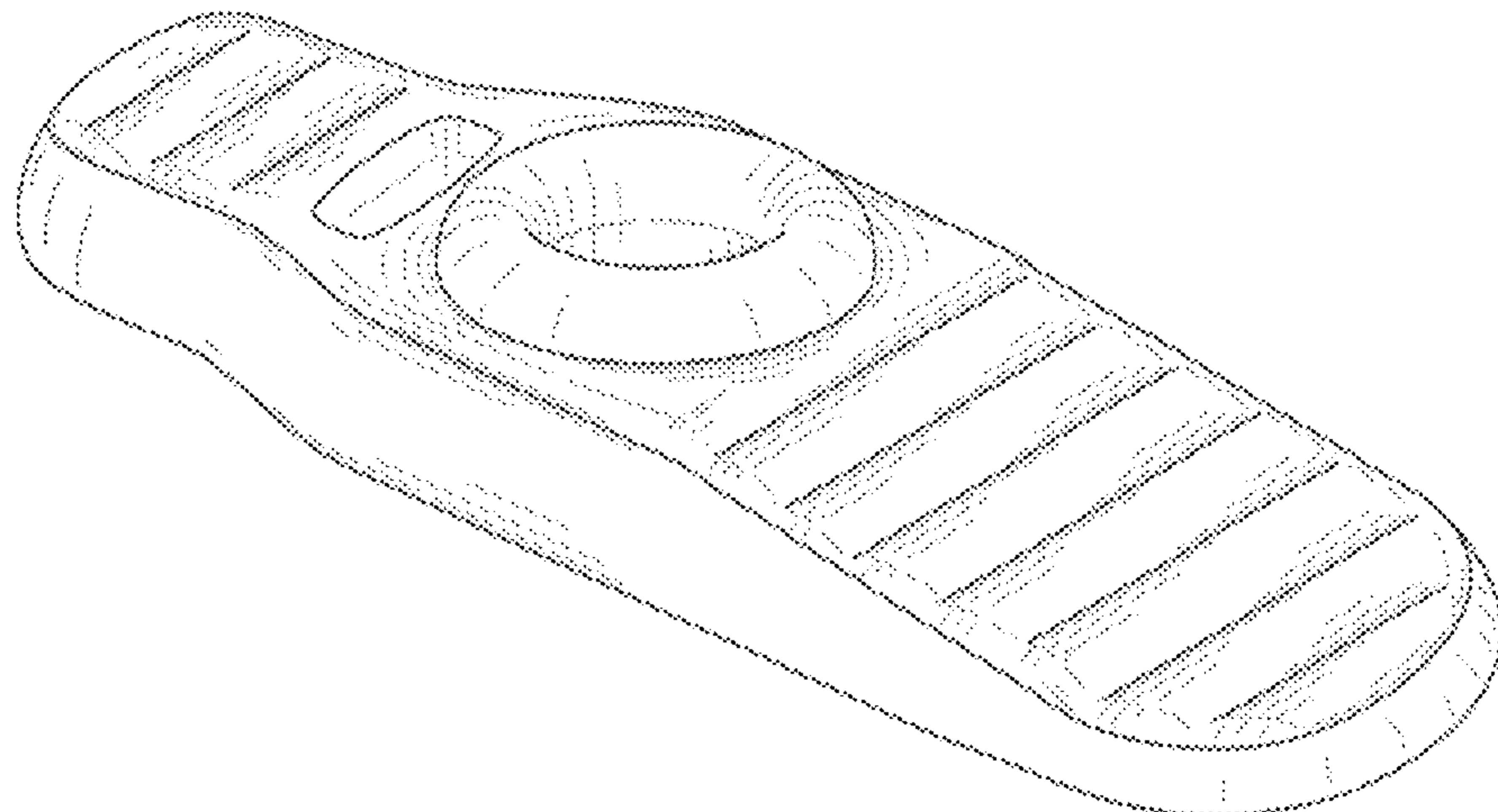
(57) **CLAIM**

The ornamental design for a support apparatus, as shown
and described.

DESCRIPTION

FIG. 1 is a perspective view of the support apparatus.
FIG. 2 is a back view thereof.
FIG. 3 is a front view thereof.
FIG. 4 is a right side view thereof.
FIG. 5 is a left side view thereof.
FIG. 6 is a top view thereof; and,
FIG. 7 is a bottom view thereof.

1 Claim, 5 Drawing Sheets



Related U.S. Application Data

of application No. 29/624,362, filed on Oct. 31, 2017, now Pat. No. Des. 818,743, which is a division of application No. 29/555,110, filed on Feb. 18, 2016, now Pat. No. Des. 805,812.

(56)

References Cited

U.S. PATENT DOCUMENTS

3,287,747 A 11/1966 Ellsorth
 3,378,862 A 4/1968 Skinner
 3,988,793 A 11/1976 Abitol
 4,021,872 A 5/1977 Powell
 4,051,566 A 10/1977 Esquivel
 4,054,960 A 10/1977 Pettit et al.
 D257,309 S * 10/1980 Kroll D6/601
 D263,190 S 3/1982 Herr
 4,471,767 A 9/1984 Guimond
 D276,938 S 12/1984 Pedersen
 4,489,452 A 12/1984 Lickert
 D277,316 S * 1/1985 Meares D24/190
 4,508,384 A 4/1985 Castelot et al.
 D285,752 S * 9/1986 Sadow 5/648
 4,635,306 A 1/1987 Willey
 D293,755 S * 1/1988 Murphy D6/601
 D295,248 S 4/1988 Sommerfield
 4,737,999 A 4/1988 Halverson
 4,819,287 A 4/1989 Halverson
 D305,458 S 1/1990 Wang
 4,944,059 A * 7/1990 Wall A47C 20/025
 5/631
 D311,838 S 11/1990 Dillon
 5,029,349 A 7/1991 Hamilton
 5,044,030 A * 9/1991 Balaton A47C 27/081
 297/DIG. 3
 5,086,529 A 2/1992 Degroot
 5,127,119 A 7/1992 Rogers
 5,185,897 A 2/1993 Van Laanen
 D333,938 S 3/1993 Watson et al.
 D334,318 S 3/1993 Chee
 D335,999 S * 6/1993 Van Driessche 5/631
 5,237,712 A 8/1993 Ramsay
 D341,725 S 11/1993 Piper
 D341,981 S * 12/1993 Harris D6/601
 D342,409 S 12/1993 Gambin
 D343,303 S 1/1994 DiGregorio
 5,303,435 A 4/1994 Haar et al.
 D350,586 S 9/1994 Francis
 5,369,824 A 12/1994 Powell
 5,400,449 A 3/1995 Satto
 D356,919 S 4/1995 Nadeau
 D357,538 S 4/1995 Sockwell
 D357,740 S * 4/1995 Kennemore D24/183
 5,412,824 A 5/1995 Emerson et al.
 5,425,147 A 6/1995 Supplee et al.
 5,438,715 A 8/1995 Jackman
 5,504,953 A 4/1996 Singer-Leyton et al.
 D370,066 S * 5/1996 Kennemore D24/183
 D370,821 S * 6/1996 Mata D6/596
 D375,989 S * 11/1996 Jacobs D21/809
 D376,945 S * 12/1996 Bonaddio 5/420
 D378,259 S * 3/1997 Bonaddio D6/596
 5,652,981 A 8/1997 Singer-Leyton et al.
 D385,512 S 10/1997 Nielsen, III
 5,679,040 A 10/1997 Davis
 392,145 A 3/1998 Thurston
 396,771 A 8/1998 Iannuzzi
 5,819,348 A 10/1998 Ryan
 403,194 A 12/1998 Thurston
 5,890,246 A 4/1999 Davis
 411,933 A 7/1999 Bernstein
 D420,238 S * 2/2000 Jefferson 5/490
 6,044,505 A 4/2000 Friedman
 6,058,536 A * 5/2000 Henry A47C 27/12
 5/691
 D428,466 S 7/2000 Langley, III

6,185,768 B1 2/2001 Schlechter
 6,233,768 B1 5/2001 Harding
 D445,505 S 7/2001 Shapiro
 6,295,668 B1 10/2001 Nation
 6,408,470 B1 6/2002 Powers
 6,581,229 B2 6/2003 Bernstein
 6,823,547 B1 11/2004 Harding et al.
 6,857,145 B1 2/2005 Sikes
 D504,045 S 4/2005 Rediske
 7,065,816 B2 6/2006 McGettigan
 7,065,817 B2 6/2006 Shield
 D528,624 S * 9/2006 Peterson D21/803
 D529,978 S * 10/2006 Peterson D21/809
 D530,771 S * 10/2006 Peterson D21/809
 D531,249 S * 10/2006 Peterson D21/803
 7,127,764 B1 10/2006 Harding et al.
 D535,717 S * 1/2007 Peterson D21/803
 7,266,852 B2 9/2007 Davis
 D560,947 S * 2/2008 Kreucher D6/601
 D576,408 S 9/2008 Forshpan
 D584,911 S * 1/2009 Hisey D21/803
 D587,507 S * 3/2009 Martin D6/604
 D610,853 S 3/2010 Straub
 D610,854 S 3/2010 Siklosi et al.
 D613,105 S * 4/2010 Chuang D6/601
 D618,947 S 7/2010 Kalatsky
 D620,298 S 7/2010 Tanaka
 D635,265 S 3/2011 Coffey
 D642,278 S 7/2011 Sharps et al.
 D642,412 S 8/2011 Cuba
 D651,840 S 1/2012 David, III
 D656,356 S 3/2012 Cheng
 D657,832 S * 4/2012 Beber D21/683
 D666,045 S * 8/2012 Spencer D6/601
 D666,046 S 8/2012 Xiong
 D670,090 S 11/2012 Miucci
 8,303,361 B2 11/2012 Green
 D672,567 S 12/2012 Sclare
 D672,580 S 12/2012 Sclare
 8,656,541 B2 2/2014 Muollo
 D700,786 S 3/2014 Yeung
 D714,072 S 9/2014 Nadeau et al.
 D726,451 S 4/2015 Lee
 D728,271 S 5/2015 Cohen
 D732,313 S * 6/2015 Fux D6/601
 D734,545 S 7/2015 Cantu
 D749,873 S 2/2016 Latrofa
 D749,875 S * 2/2016 Sullivan D6/604
 D751,321 S 3/2016 Smallman
 D758,101 S * 6/2016 Mason D6/601
 D758,103 S * 6/2016 Mason D6/601
 D767,148 S * 9/2016 Perreault D24/183
 D771,414 S 11/2016 Krishtul
 D793,123 S * 8/2017 Zanki D6/601
 D798,633 S * 10/2017 Zanki D6/601
 D805,812 S * 12/2017 Zanki D6/601
 D807,081 S * 1/2018 Zanki D6/601
 D807,082 S * 1/2018 Zanki D6/601
 D818,743 S * 5/2018 Zanki D6/601
 D834,717 S * 11/2018 Lane D24/183
 D842,626 S * 3/2019 Zanki D6/601
 D843,135 S * 3/2019 Zanki D6/601
 2005/0188465 A1 9/2005 Fahey
 2006/0096034 A1 5/2006 Tucci
 2009/0100601 A1 4/2009 Battaglia
 2010/0125951 A1 5/2010 Stefano et al.
 2013/0283526 A1 10/2013 Gagliardi
 2014/0130262 A1 5/2014 Marcik
 2017/0071357 A1 * 3/2017 Zanki A47C 20/025
 2018/0146719 A1 * 5/2018 Zanki A41C 1/08

OTHER PUBLICATIONS

<http://www.thebellybed.com.au>. Accessed on Aug. 14, 2015.

<http://www.holo-lilo.com>. Accessed on Aug. 14, 2015.

(56)

References Cited

OTHER PUBLICATIONS

<http://www.massagewarehouse.com/products/earthlite-pregnancy-cushion/>. Accessed on Aug. 14, 2015.

* cited by examiner

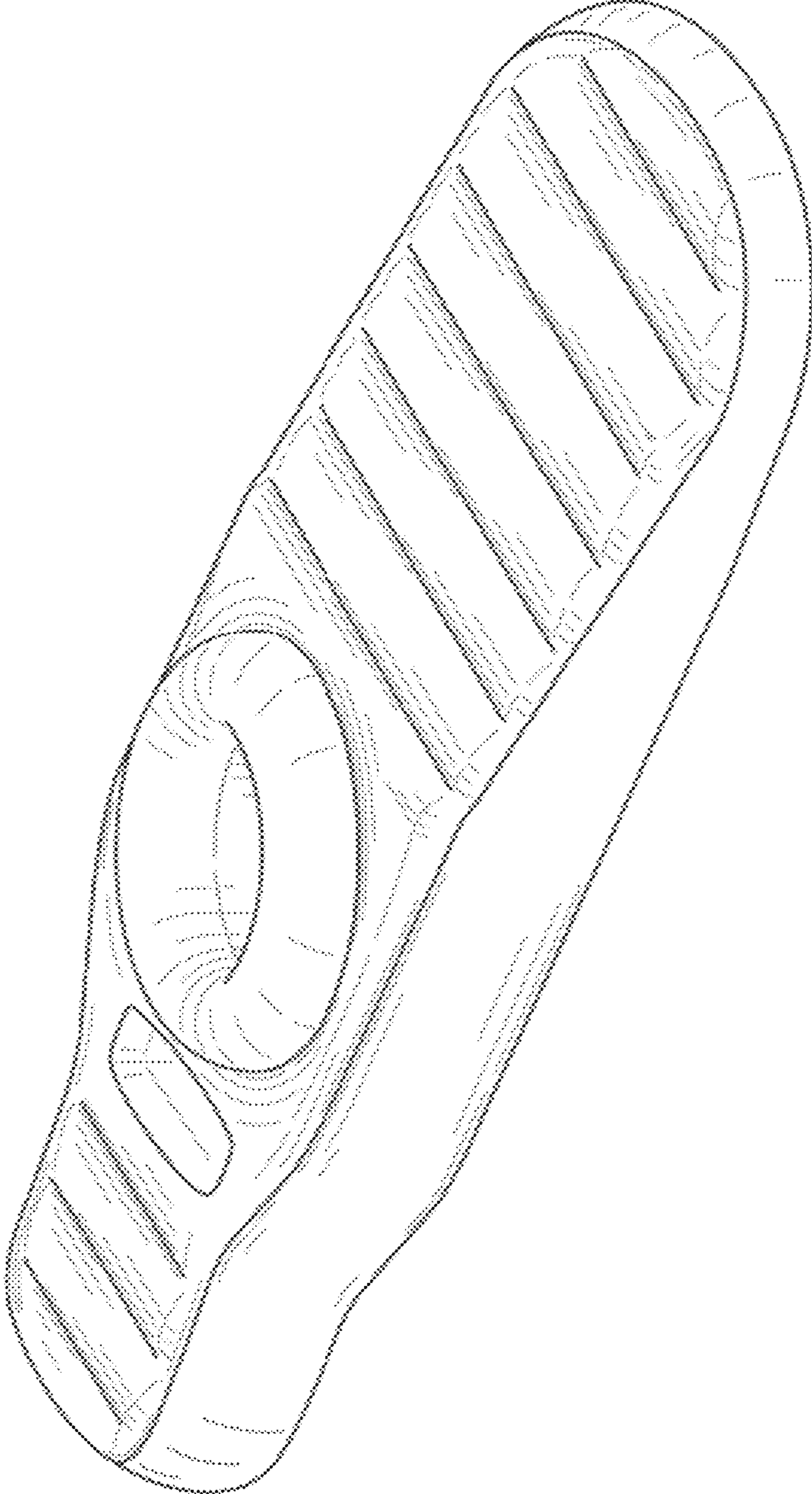


FIG. 1

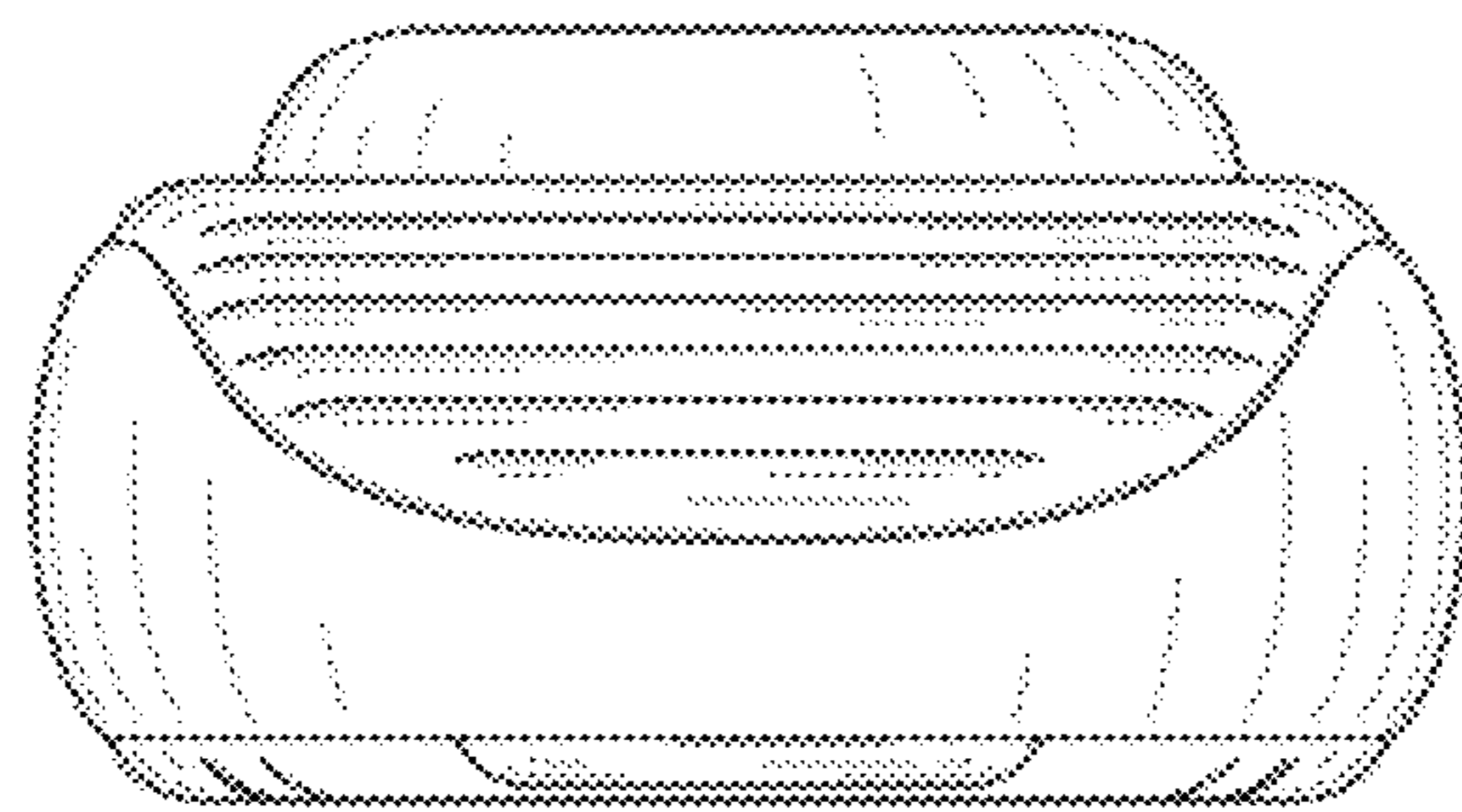


FIG. 2

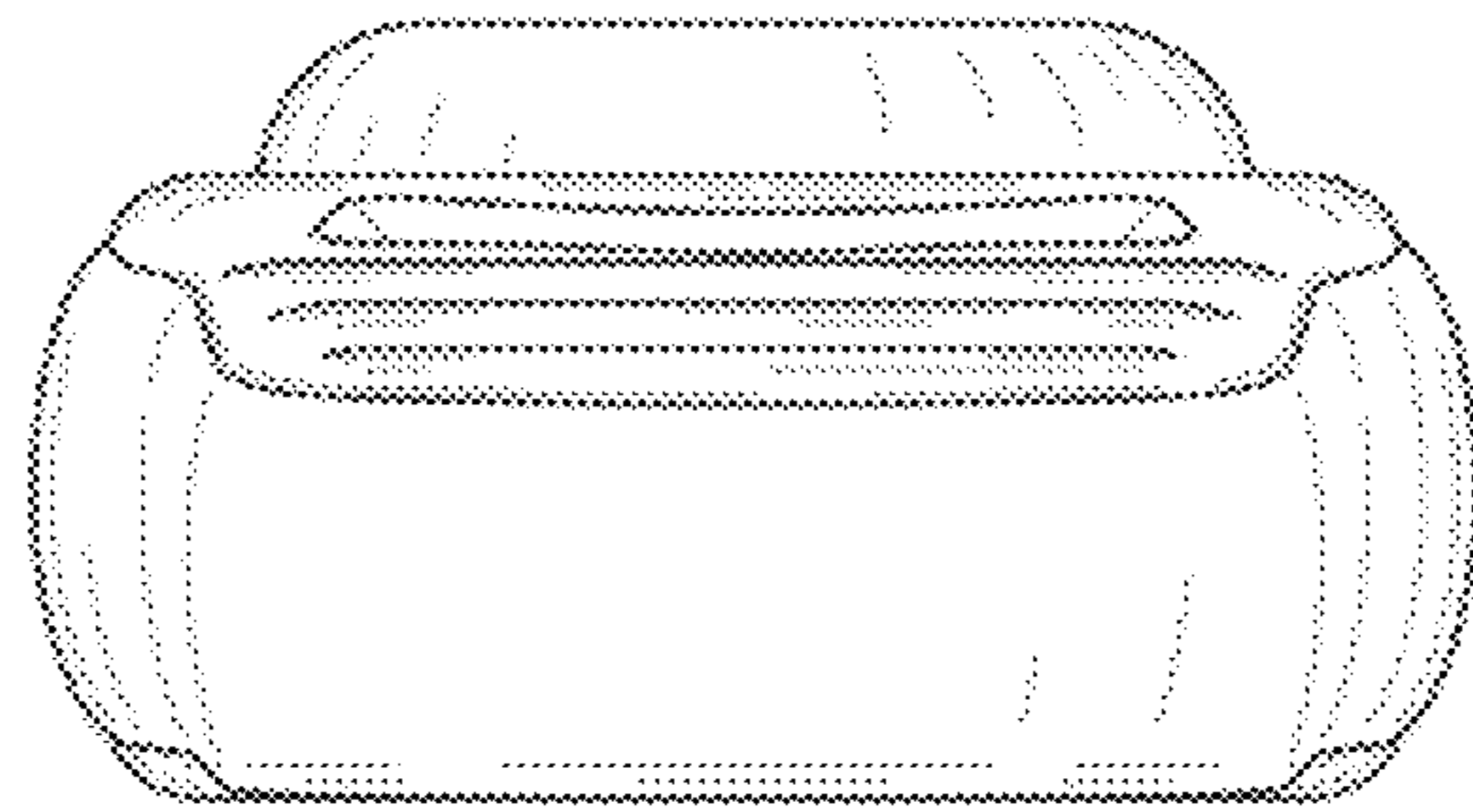


FIG. 3

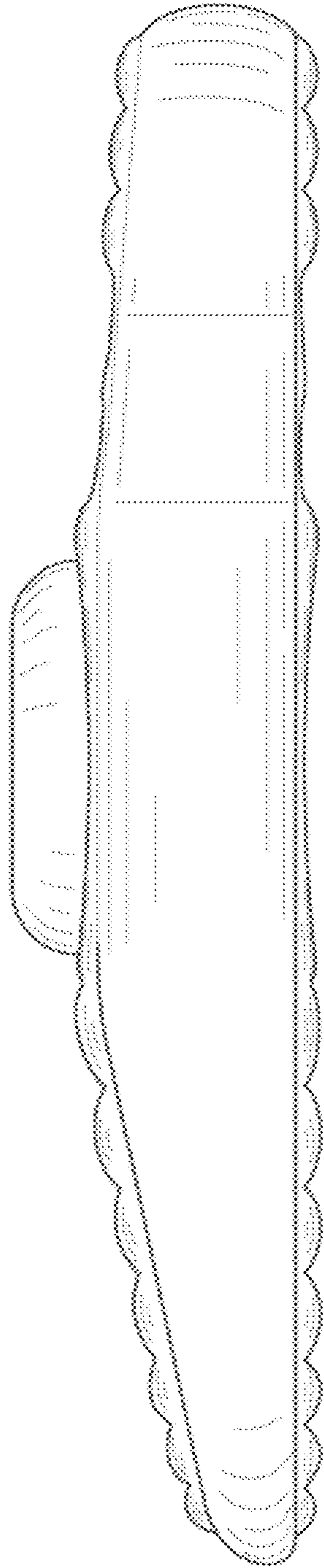


FIG. 4

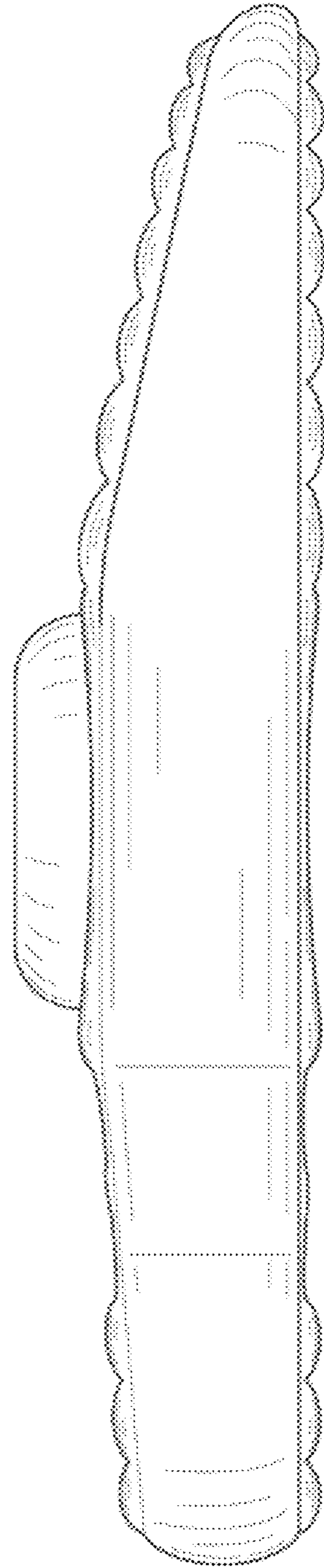


FIG. 5

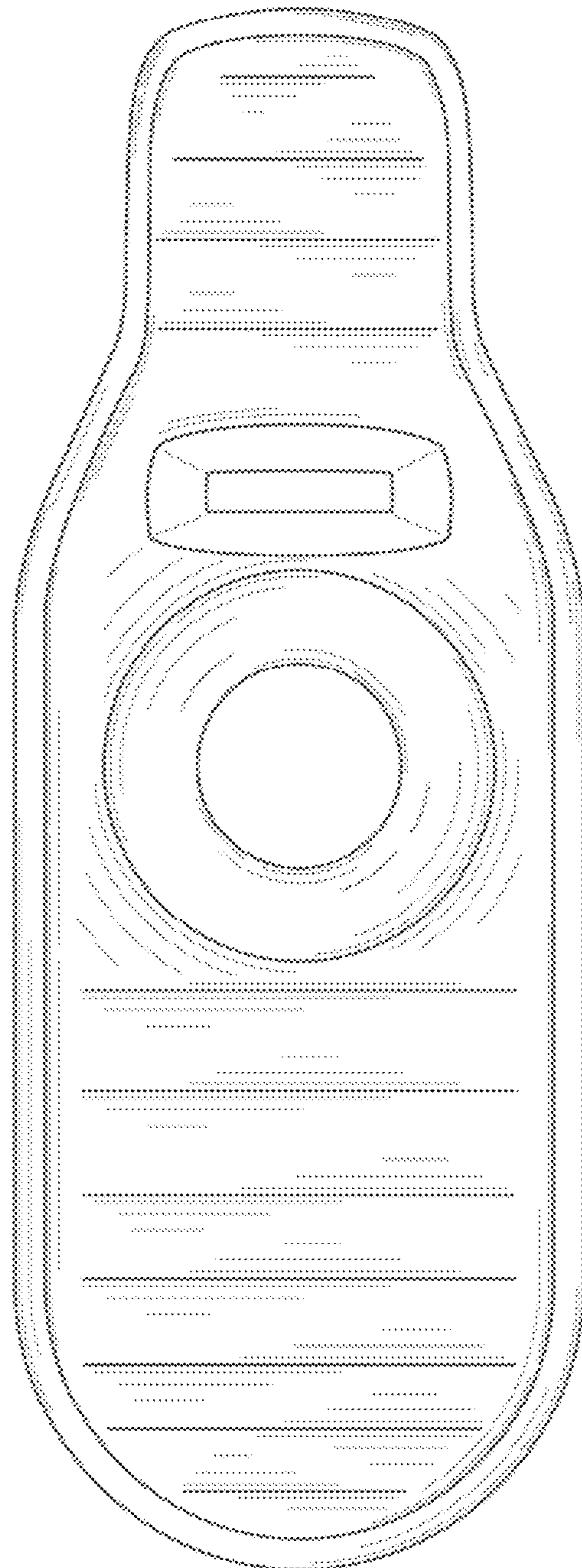


FIG. 6

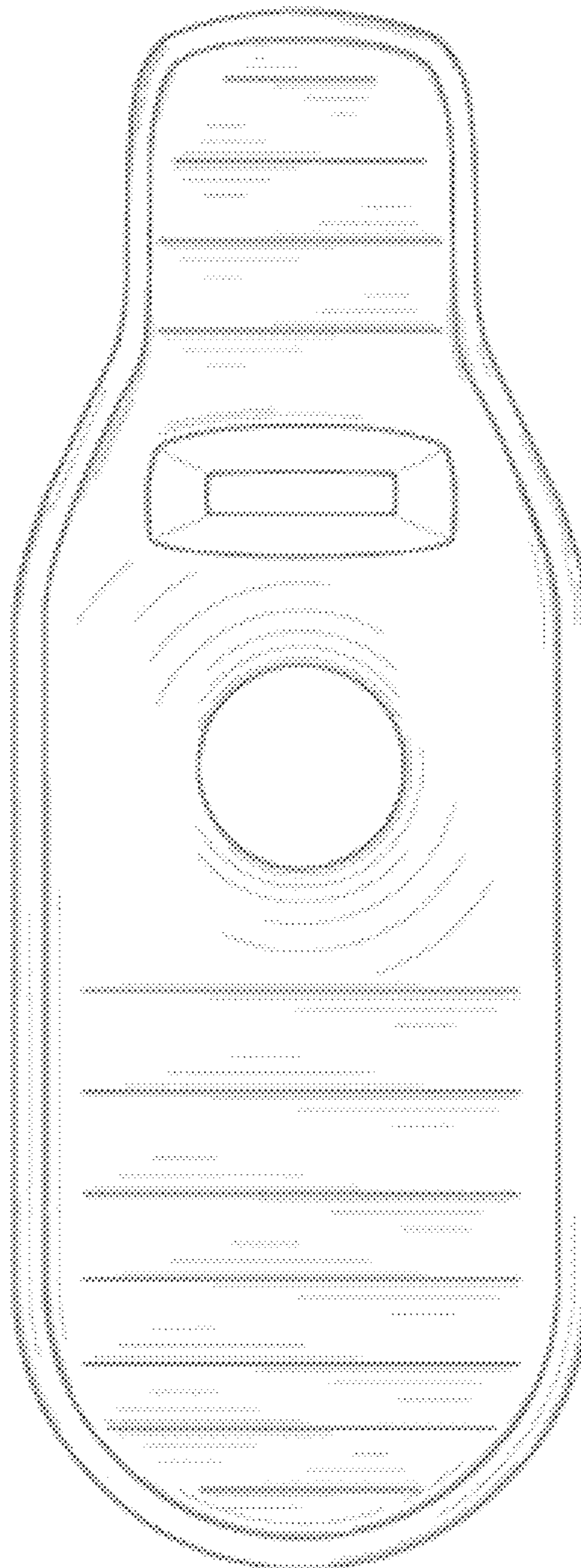


FIG. 7