

US00D862112S

(12) **United States Design Patent** (10) **Patent No.:** **US D862,112 S**
Tojek et al. (45) **Date of Patent:** **** Oct. 8, 2019**

- (54) **DISPENSER**
- (71) Applicant: **GOJO Industries, Inc.**, Akron, OH
(US)
- (72) Inventors: **Andrew P. Tojek**, Garfield Heights, OH
(US); **Brian T. Milliff**, Kirtland, OH
(US)
- (73) Assignee: **GOJO Industries, Inc.**, Akron, OH
(US)
- (**) Term: **15 Years**
- (21) Appl. No.: **29/578,350**
- (22) Filed: **Sep. 21, 2016**
- (51) **LOC (12) Cl.** **23-02**
- (52) **U.S. Cl.**
USPC **D6/545**
- (58) **Field of Classification Search**
USPC D6/542, 545, 543, 515, 544; 206/77.1;
221/96, 132, 282-285; 222/14, 92, 105,
222/146.3, 173, 180, 181.1, 181.2, 181.3,
222/251, 282, 283, 628
CPC B01L 3/52; B05B 11/3014; B05B 9/0403;
B05B 9/0426; C11D 17/08; A45D 19/02;
A47K 5/12; A47K 5/1202; A47K 5/1211;
B67D 7/0255; B01F 15/0243; B01F
15/0254; B01F 5/12; B01F 5/20; B05D
5/00
See application file for complete search history.

(56) **References Cited**

U.S. PATENT DOCUMENTS

D338,585 S	8/1993	Bell et al.	D6/545
D343,751 S	2/1994	Bell et al.	D6/545
D372,824 S	8/1996	Lin	
D379,728 S	6/1997	Simon	
D387,931 S	* 12/1997	Chen	D6/545
D392,136 S	3/1998	Ross et al.	D6/542

D416,417 S	11/1999	Ross et al.	D6/545
D431,404 S	10/2000	Brazis et al.	D6/545
D451,736 S	12/2001	Mast et al.	D6/545
D480,247 S	10/2003	Ciavarella et al.	D6/545
D495,547 S	9/2004	Reynolds et al.	D6/545
D503,576 S	4/2005	Reynolds et al.	D6/545
7,044,328 B1	5/2006	Ciavarella	
D527,936 S	9/2006	Sirkis	
D529,740 S	10/2006	Ophardt	
D530,124 S	10/2006	Ophardt	
D530,126 S	10/2006	Reynolds et al.	D6/545

(Continued)

Primary Examiner — Wan Laymon

Assistant Examiner — Mark Booker

(74) *Attorney, Agent, or Firm* — Calfee, Halter & Griswold LLP

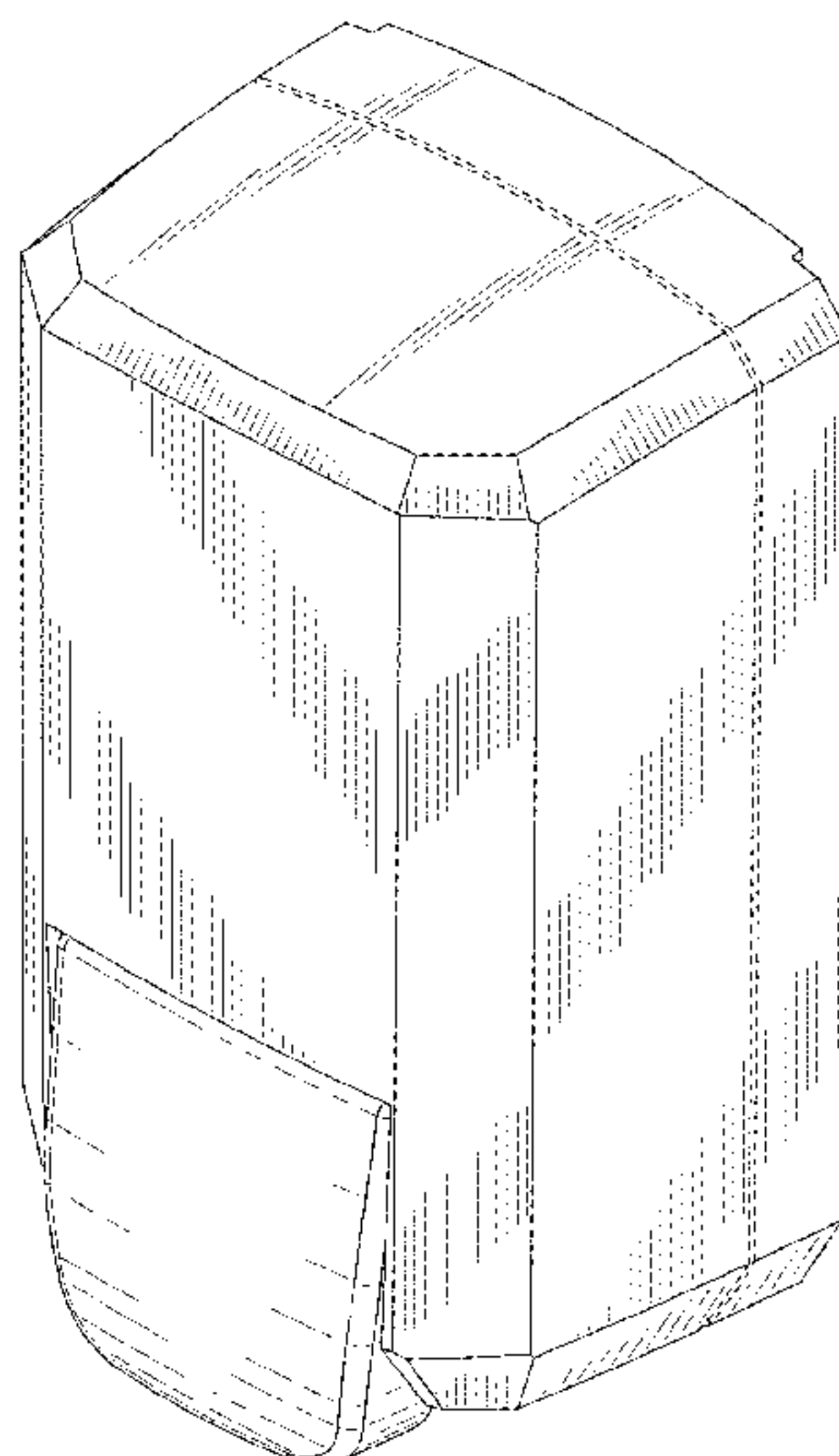
(57) **CLAIM**

The ornamental design for a dispenser, as shown and described.

DESCRIPTION

FIG. 1 is a top front, right side perspective view of a dispenser showing our new design;
 FIG. 2 is a front plan view thereof;
 FIG. 3 is a rear plan view thereof;
 FIG. 4 is a left side elevational plan thereof;
 FIG. 5 is a right side elevational plan view thereof;
 FIG. 6 is a top plan view thereof;
 FIG. 7 is a bottom plan view thereof;
 FIG. 8 is a top front, right side perspective view of the dispenser with a drip tray;
 FIG. 9 is a front plan view thereof;
 FIG. 10 is a rear plan view thereof;
 FIG. 11 is a left side elevational plan view thereof;
 FIG. 12 is a right side elevational plan view thereof;
 FIG. 13 is a top plan view thereof; and,
 FIG. 14 is a bottom plan view thereof.
 The broken lines shown in the figures represent portions of the dispenser that form no part of the claimed design.

1 Claim, 10 Drawing Sheets



(56)

References Cited

U.S. PATENT DOCUMENTS

D588,388 S	3/2009	Crawford		D767,301 S	9/2016	Indruk	
D611,747 S	3/2010	Kramer		D768,406 S	10/2016	Patterson	
D616,684 S	6/2010	Ciavarella et al.	D6/545	D768,407 S	10/2016	Patterson	
D617,129 S	6/2010	Ciavarella et al.	D6/545	D775,852 S	1/2017	Indruk	
D620,292 S *	7/2010	Kim	D6/545	D778,732 S	3/2017	Brownley	
D629,236 S	12/2010	Weststrate		D780,473 S	3/2017	Brownley	
D631,681 S	2/2011	Ciavarella et al.	D6/545	D781,064 S	3/2017	Brownley	
D634,143 S	3/2011	Burkett		D781,065 S	3/2017	Brownley	
D637,848 S	5/2011	Kramer		D781,068 S	3/2017	Brownley	
D640,125 S	6/2011	Rosenkranz et al.	D8/373	D781,613 S	3/2017	Santoro	
D643,237 S	8/2011	Reynolds et al.	D6/545	9,648,990 B1	5/2017	Corney	
D653,482 S	2/2012	Ciavarella et al.	D6/545	D802,329 S *	11/2017	Brownley	D6/545
D662,343 S	6/2012	Buell et al.	D6/545	2005/0087563 A1	4/2005	Ciavarella	
D665,610 S	8/2012	Kanfer et al.	D6/542	2010/0059550 A1	3/2010	Ciavarella	
8,336,740 B1	12/2012	Daansen		2011/0023364 A1	2/2011	Euteneuer	
8,387,830 B2	3/2013	Proper		2011/0253744 A1	10/2011	Pelfrey	
D687,650 S	8/2013	Wells et al.	D6/518	2012/0228326 A1	9/2012	Ciavarella	
8,534,507 B2	9/2013	Gronholm		2013/0015209 A1	1/2013	Smith	
8,678,236 B2	3/2014	Burke		2013/0020351 A1	1/2013	Pelfrey	
D707,979 S	7/2014	Hagleitner		2013/0032613 A1	2/2013	Ciavarella	
8,827,120 B2	9/2014	Boshuizen		2014/0054322 A1	2/2014	McNulty	
D724,861 S	3/2015	Gottschalk		2014/0110434 A1	4/2014	Ciavarella	
D725,404 S	3/2015	Archer et al.	D6/545	2015/0083754 A1	3/2015	Proper	
8,991,655 B2	3/2015	Pelkey		2015/0190827 A1	7/2015	Ophardt	
D726,444 S	4/2015	Giovannoni		2015/0216368 A1	8/2015	McClendon	
D733,456 S	7/2015	Buell et al.	D6/542	2015/0266657 A1	9/2015	Corney	
				2015/0320265 A1	11/2015	Bullock	
				2016/0309967 A1	10/2016	Pelfrey	
				2017/0100001 A1	4/2017	Tojek	

* cited by examiner

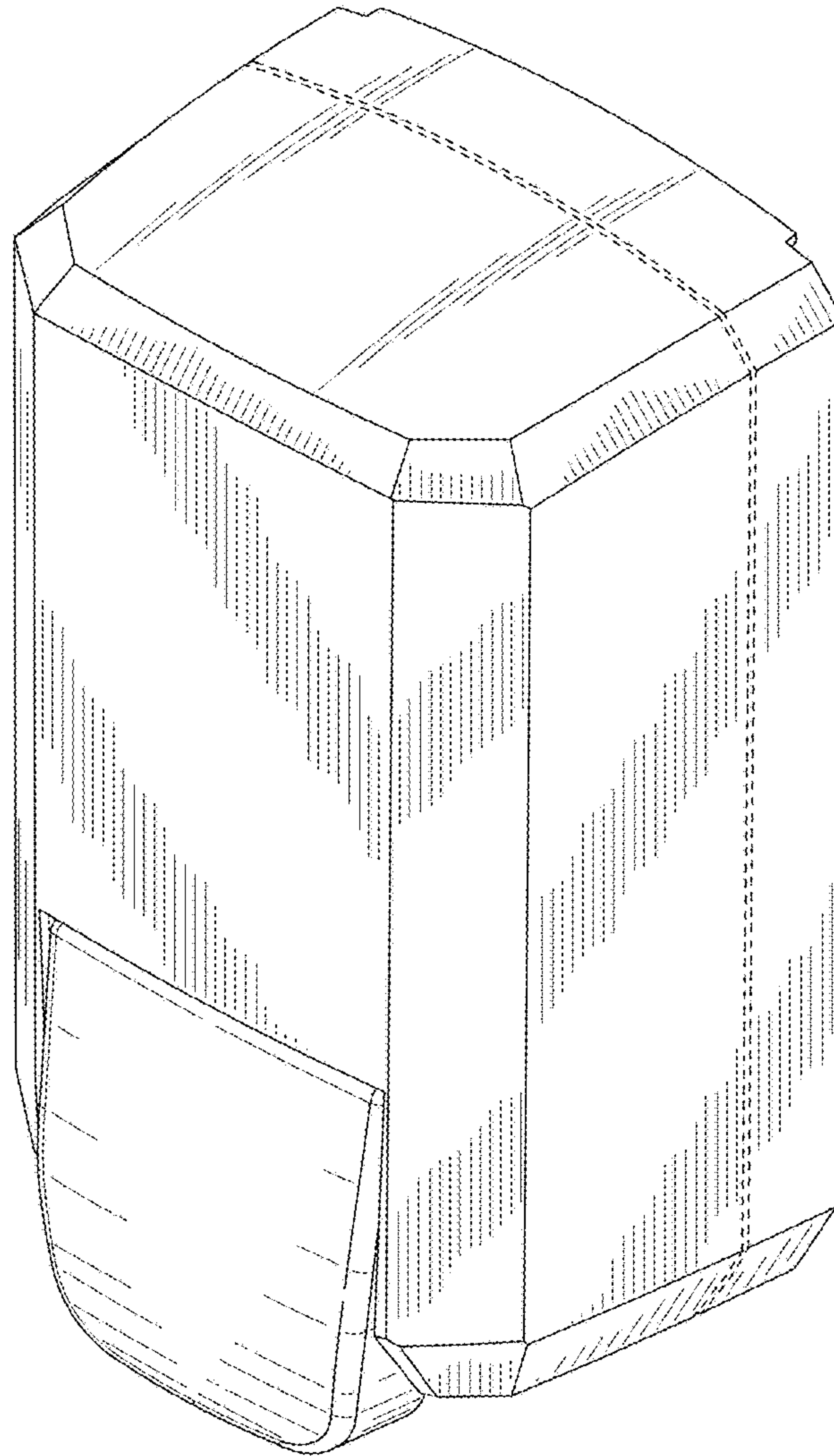


FIG. 1

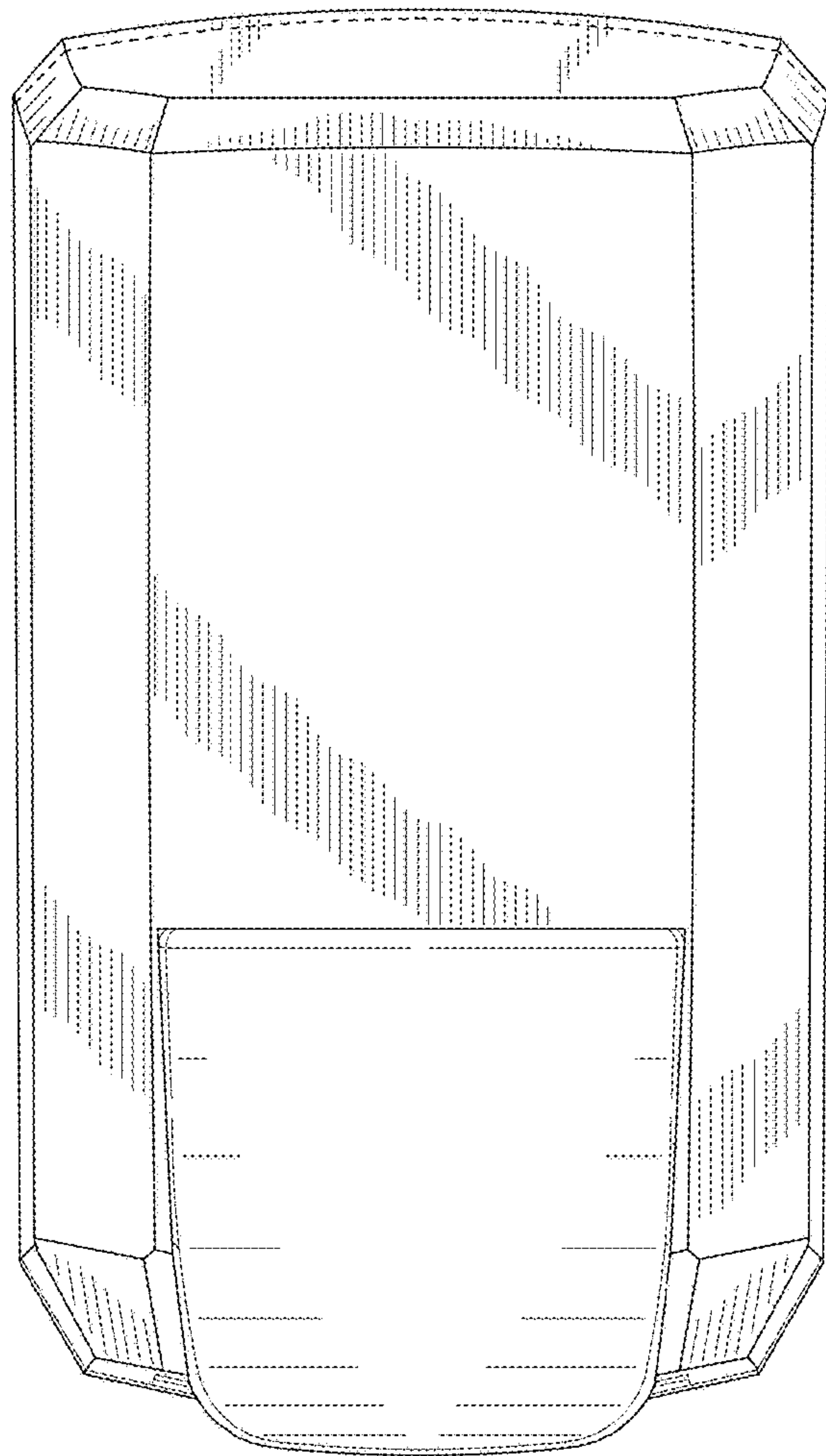


FIG. 2

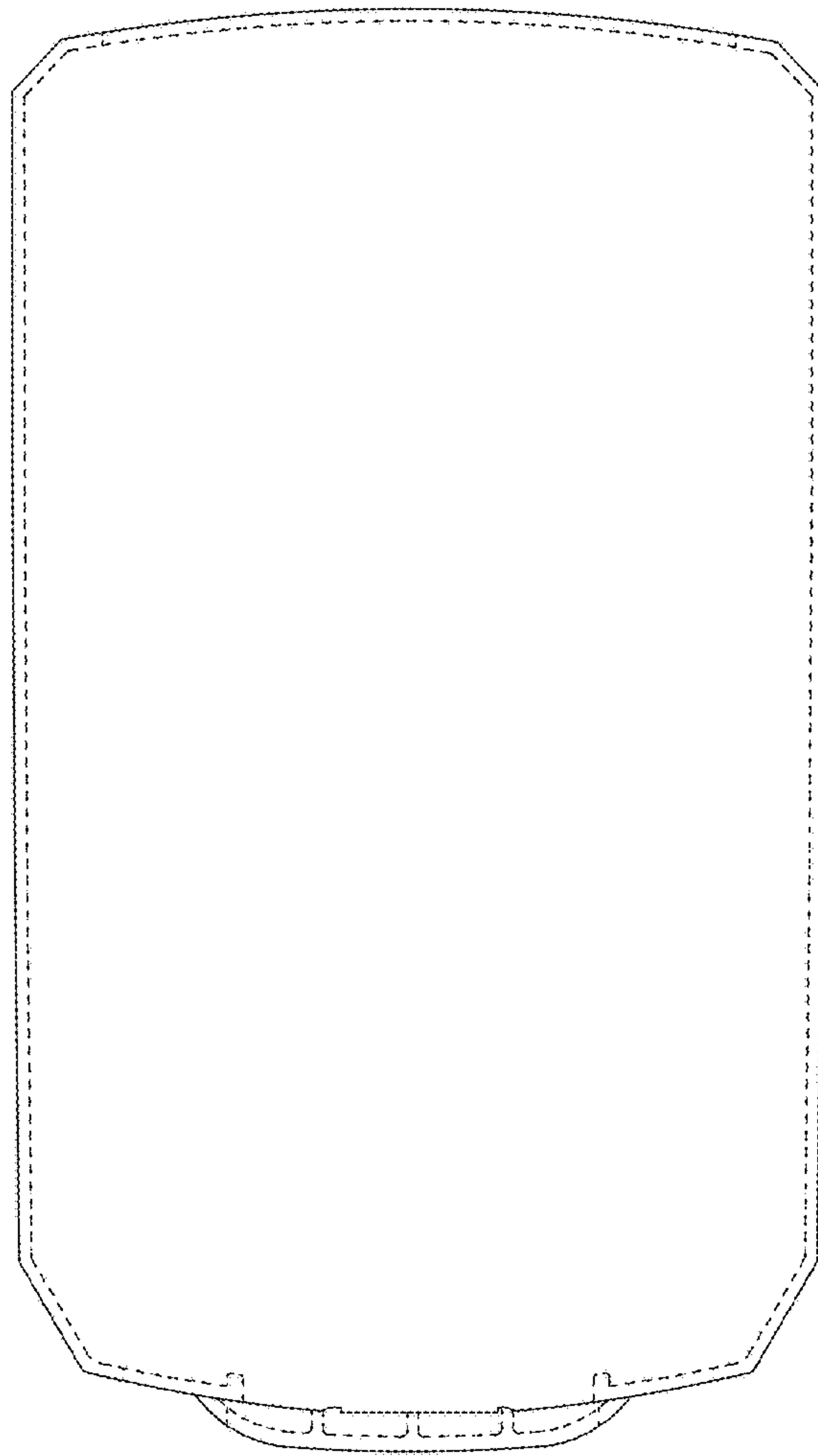


FIG. 3

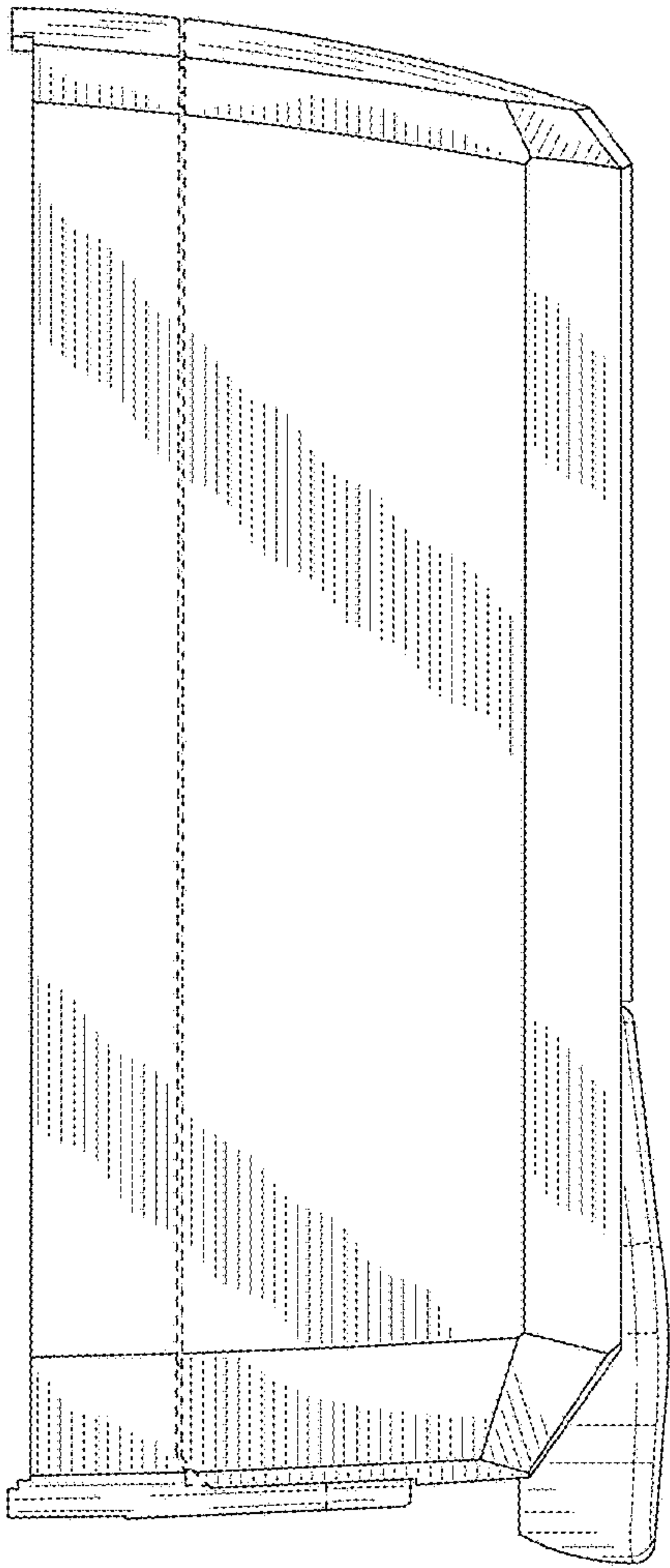


FIG. 4

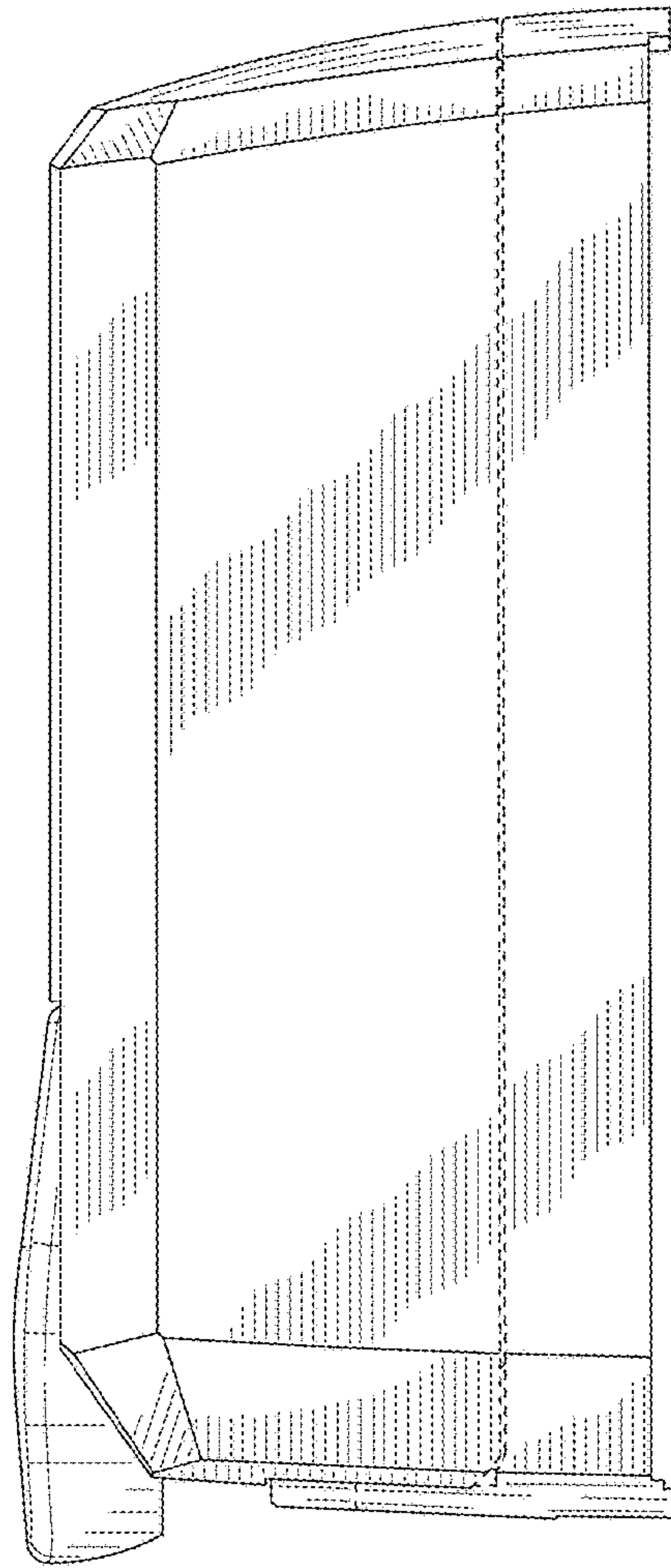


FIG. 5

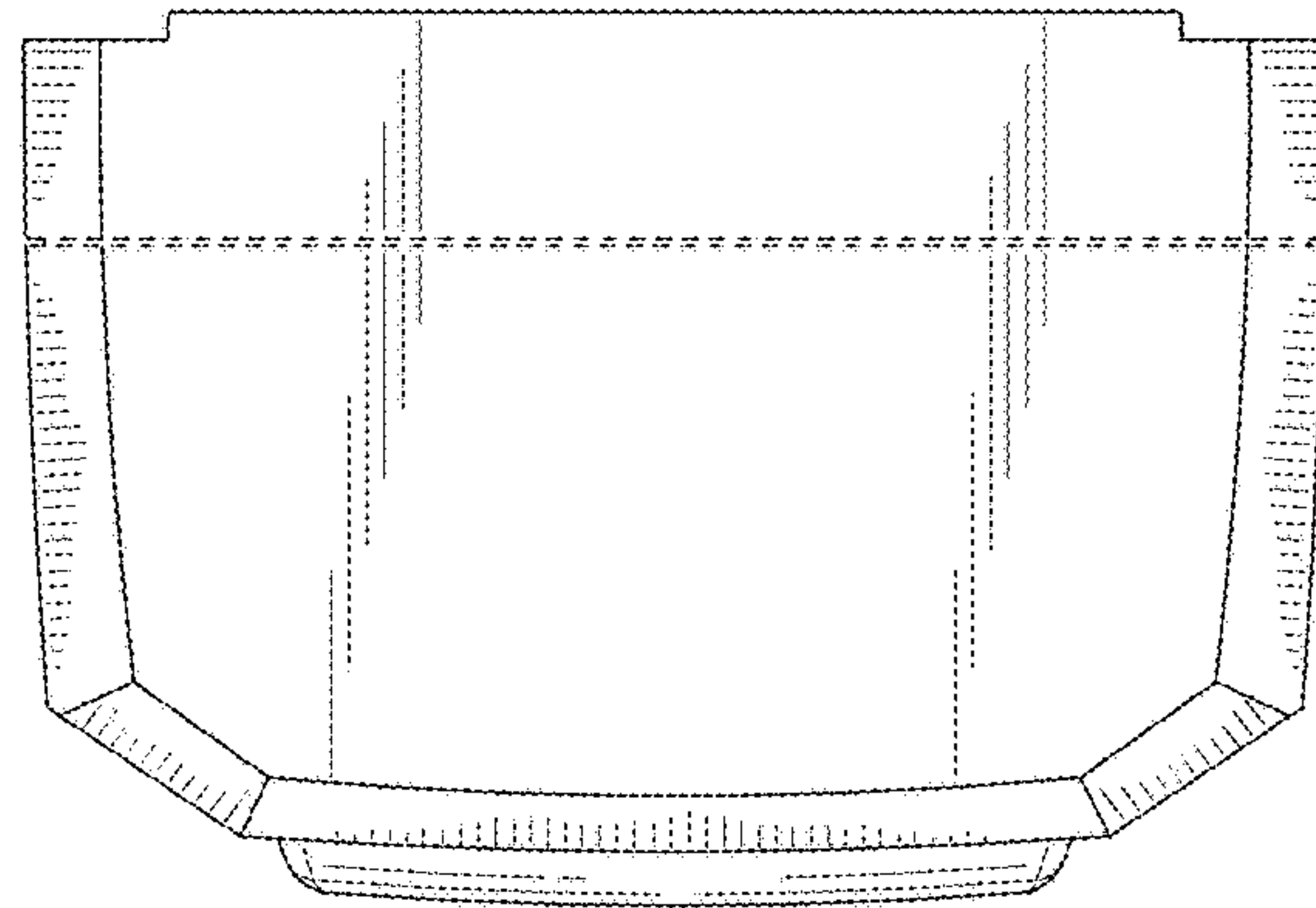


FIG. 6

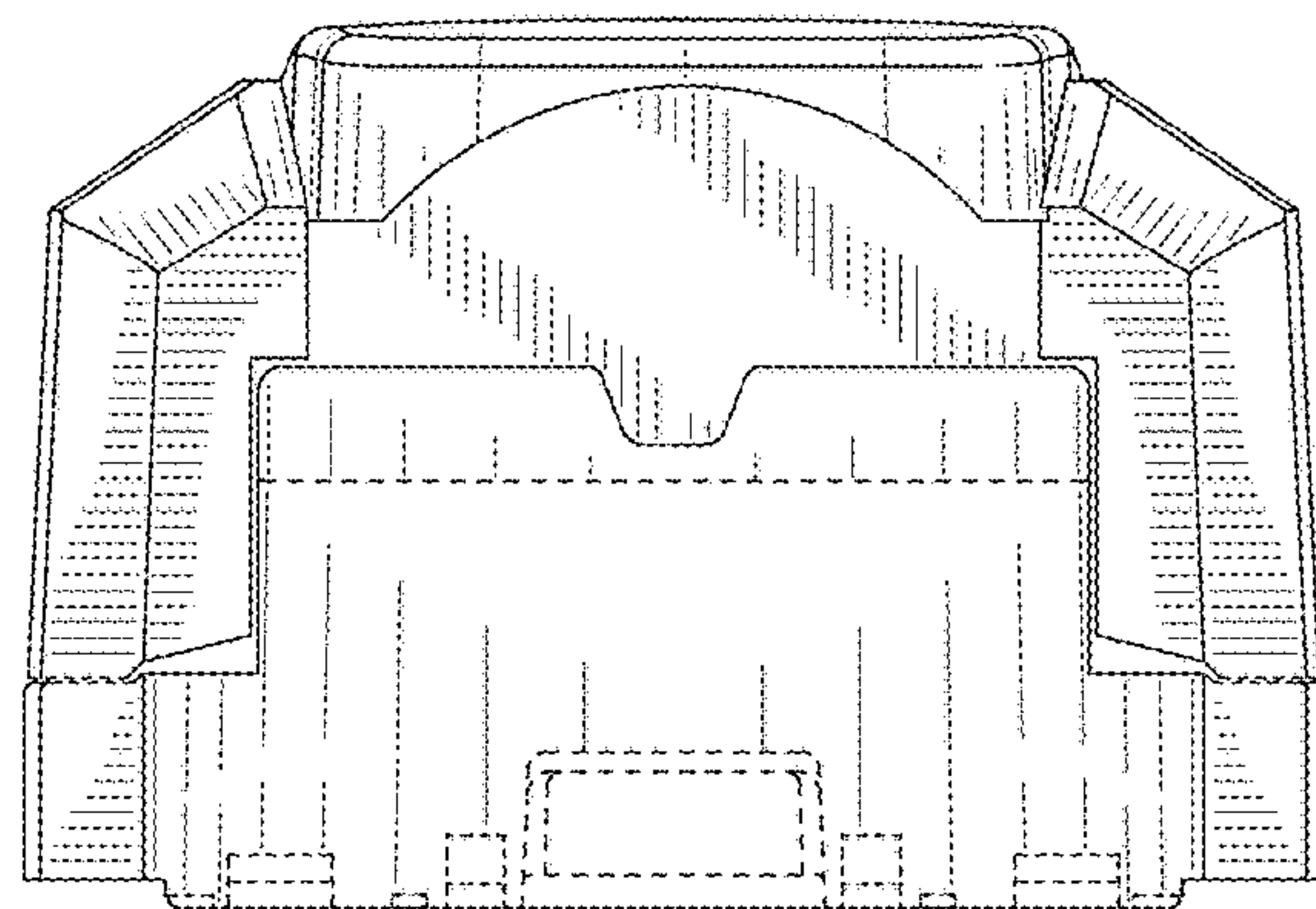


FIG. 7

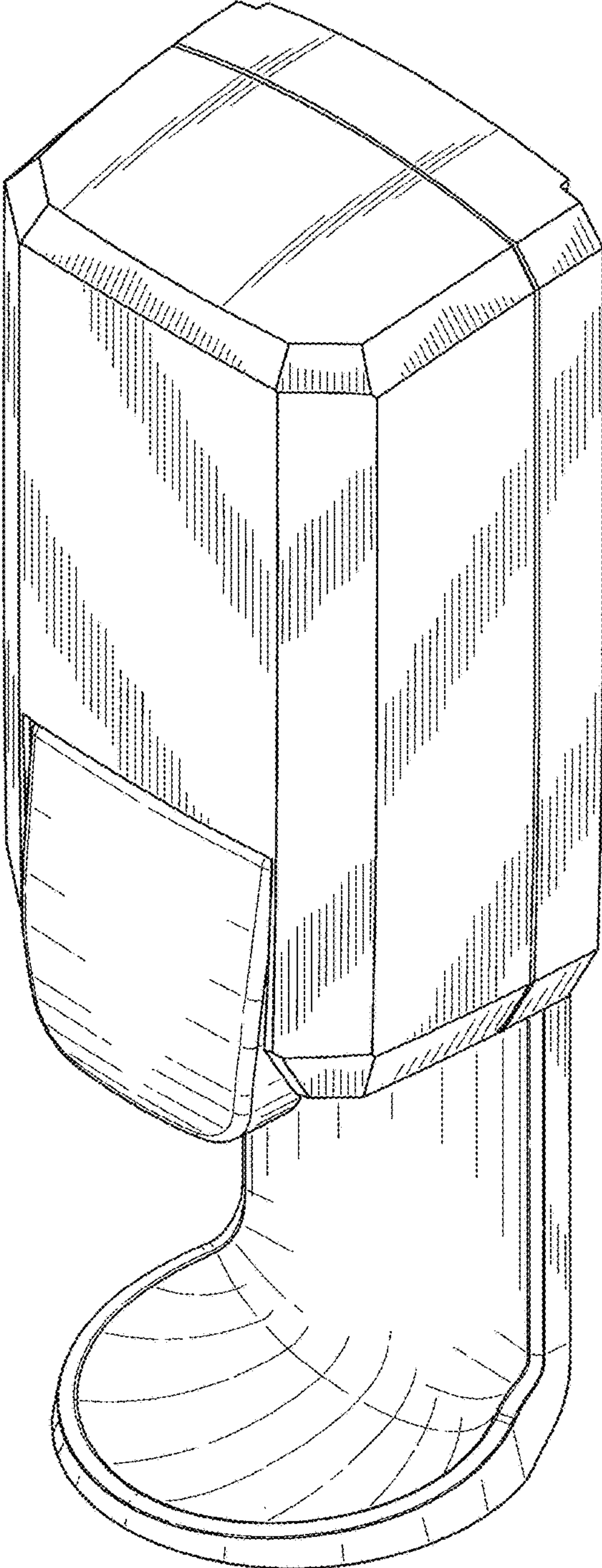


FIG.8

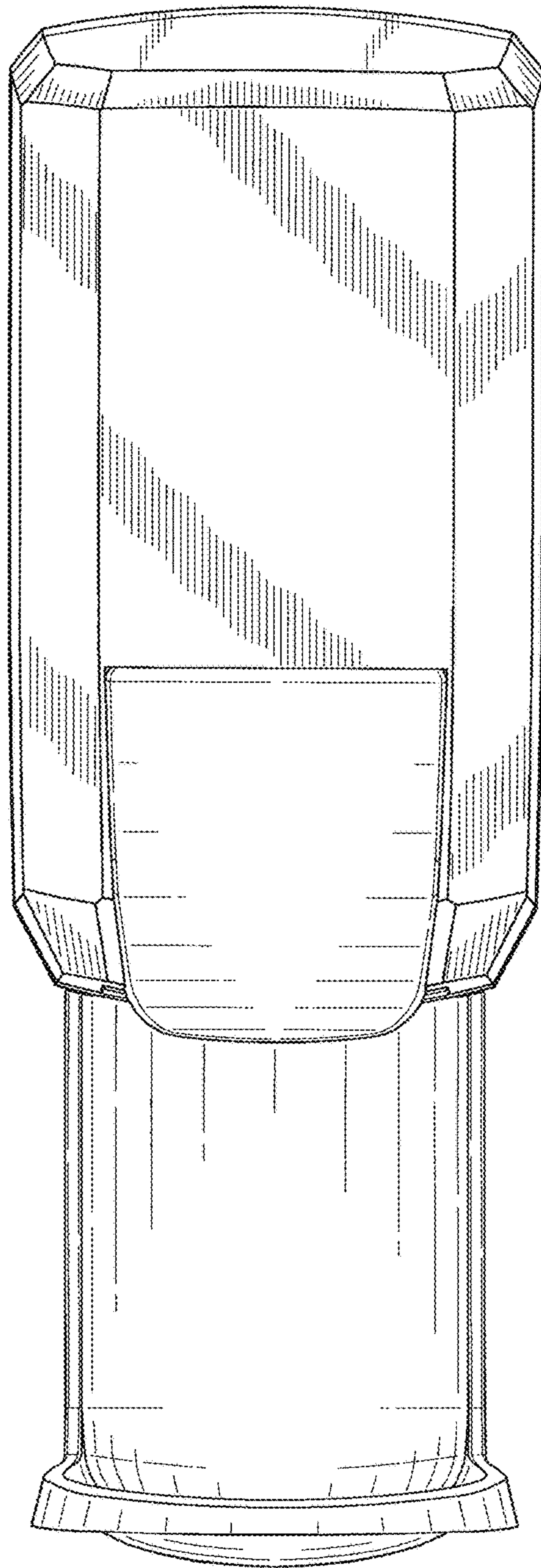


FIG. 9

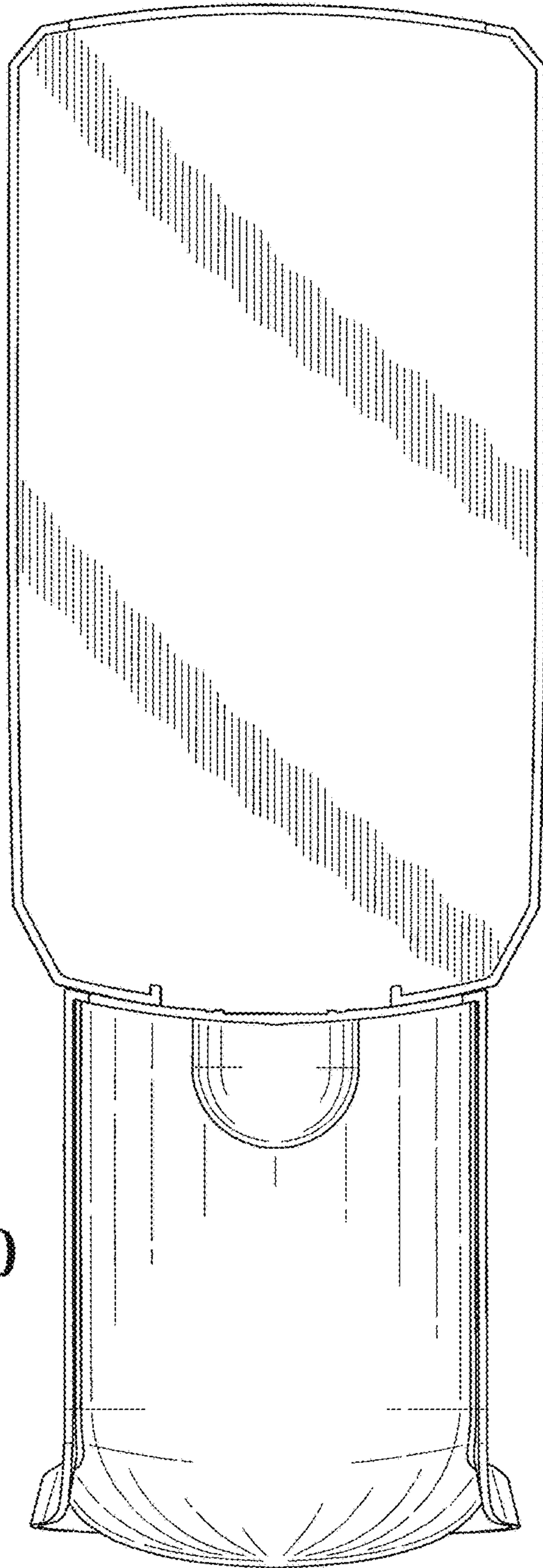
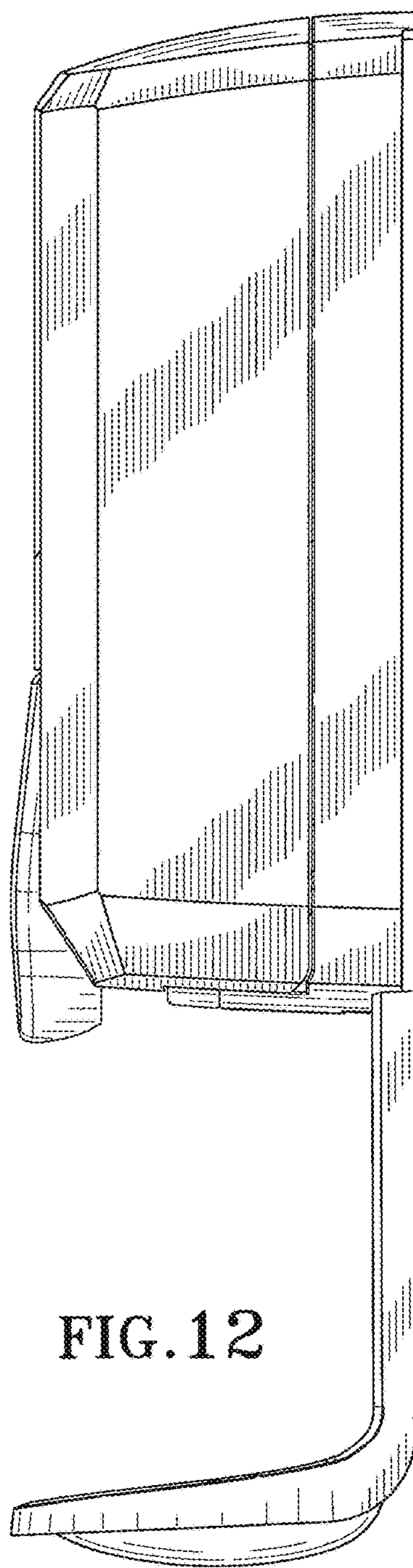
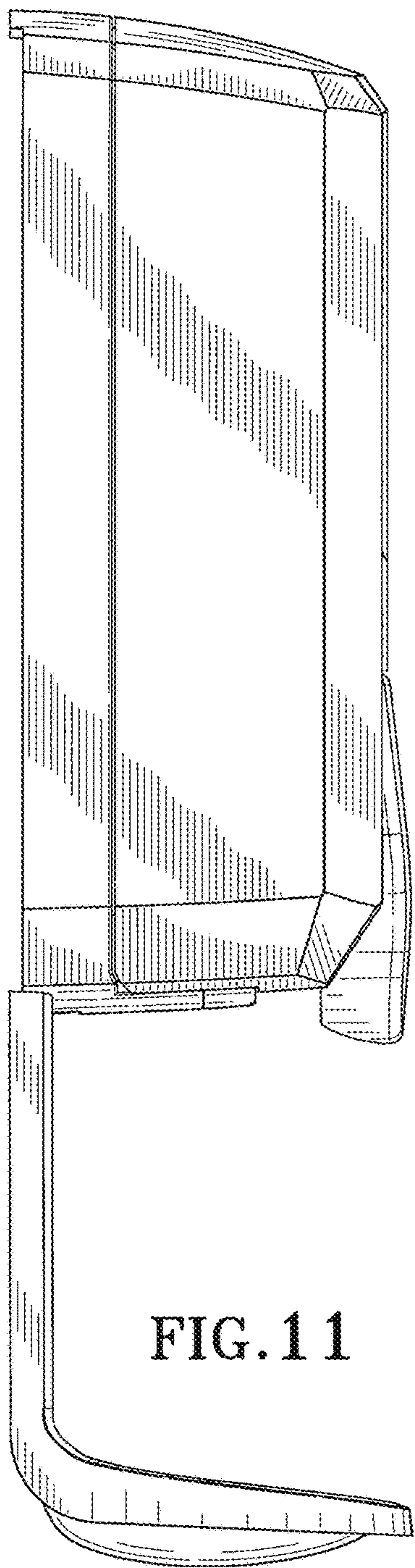


FIG. 10



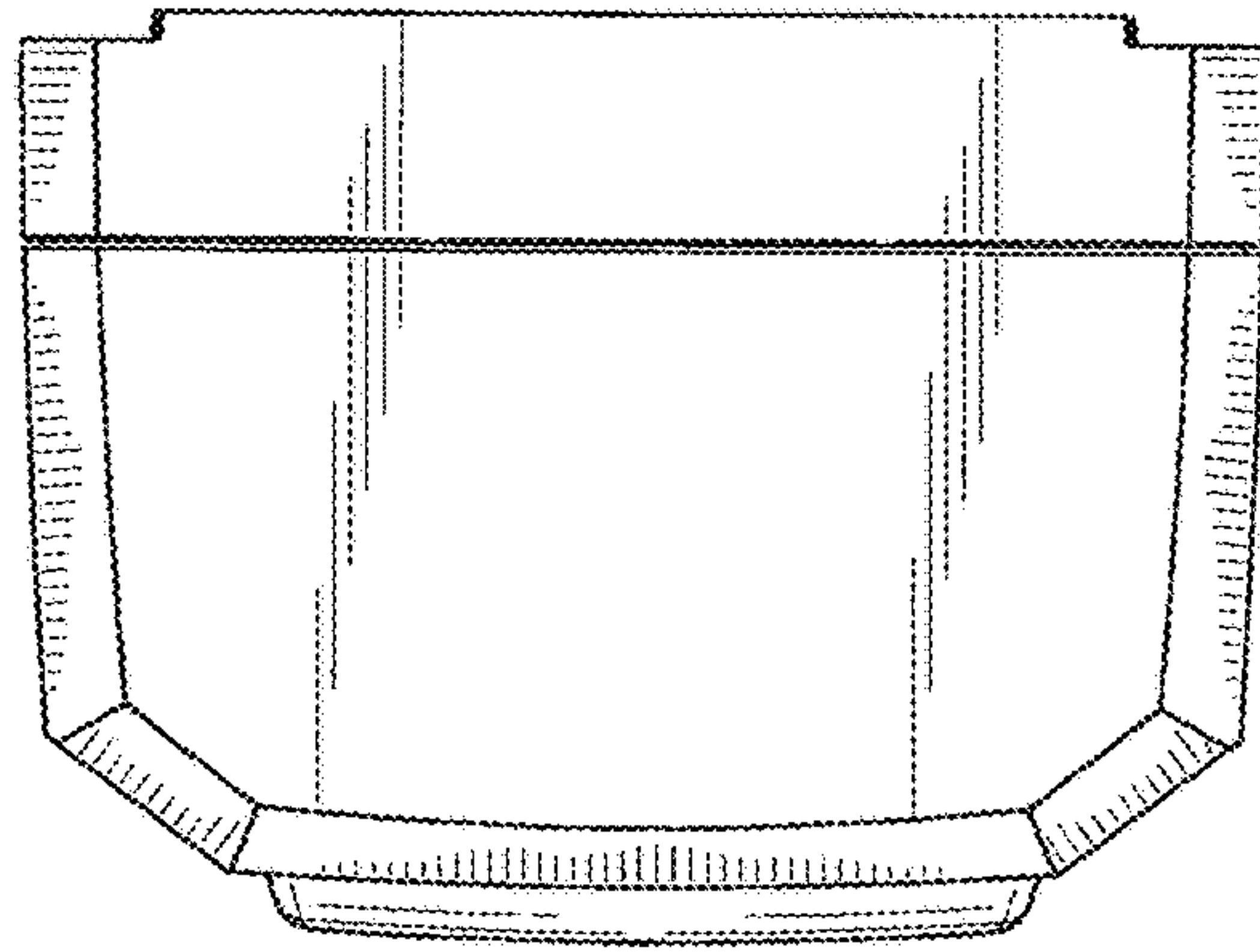


FIG. 13

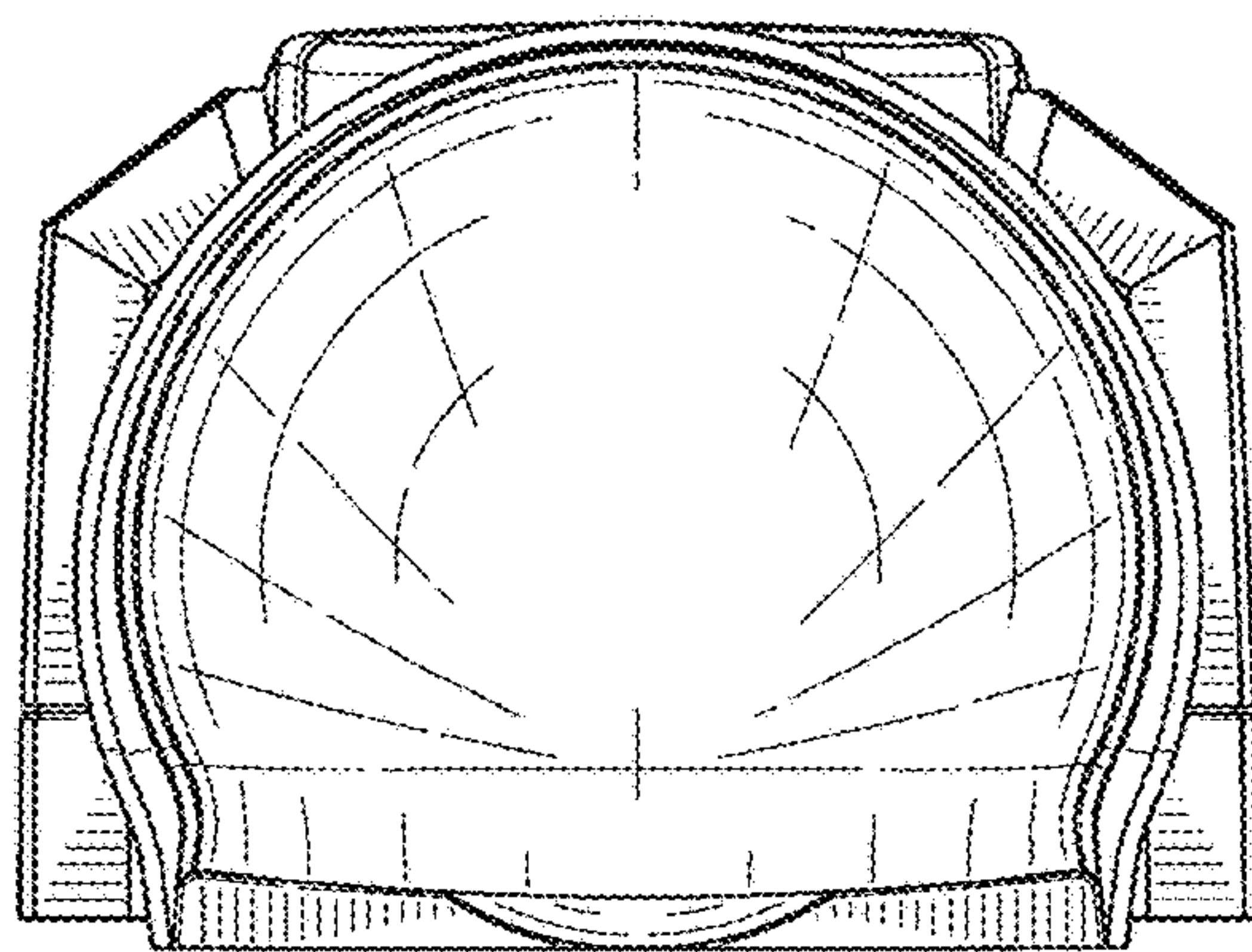


FIG. 14