



US00D862111S

(12) **United States Design Patent**  
**Karataş**

(10) **Patent No.:** **US D862,111 S**

(45) **Date of Patent:** **\*\* Oct. 8, 2019**

(54) **SHOWER CADDY**

(71) Applicant: **ANSAN Metal ve Plastik Sanayi ve Ticaret Limited Sirketi**, Kirac  
Esenyurt-Istanbul (TR)

(72) Inventor: **Hakan Karataş**, Kirac  
Esenyurt-Istanbul (TR)

(73) Assignee: **ANSAN METAL VE PLASTIK SANAYI VE TICARET LIMITED SIRKETI**, Istanbul (TR)

(\*\*) Term: **15 Years**

(21) Appl. No.: **29/625,085**

(22) Filed: **Nov. 7, 2017**

(51) **LOC (12) Cl.** ..... **23-02**

(52) **U.S. Cl.**  
USPC ..... **D6/525**

(58) **Field of Classification Search**  
USPC ..... D6/527, 524, 525, 566, 536, 540;  
211/13.1, 71.01, 74, 86.01, 75, 88.01,  
211/90.01, 90.03, 106, 119, 126.1, 133.5,  
211/134, 181.1; 4/605  
CPC ..... A47K 17/00; A47K 3/281; A47K 3/001;  
A47B 57/265; A47B 57/565; A47B 57/26  
See application file for complete search history.

(56) **References Cited**

**U.S. PATENT DOCUMENTS**

D564,257 S \* 3/2008 Yang ..... D6/525  
D619,840 S \* 7/2010 Davis ..... D6/527

D651,837 S \* 1/2012 Yang ..... D6/525  
D670,520 S \* 11/2012 Gilbert ..... D6/525  
D683,165 S \* 5/2013 Yang ..... D6/525  
D727,060 S \* 4/2015 Yang ..... D6/525  
D805,318 S \* 12/2017 Umholtz ..... D6/525  
D806,434 S \* 1/2018 Yang ..... D6/525  
D811,119 S \* 2/2018 Greenspon ..... D6/525  
2011/0271438 A1 \* 11/2011 Yang ..... A47B 57/26  
4/605

\* cited by examiner

*Primary Examiner* — Wan Laymon

*Assistant Examiner* — Mark Booker

(74) *Attorney, Agent, or Firm* — Ladas & Parry LLP

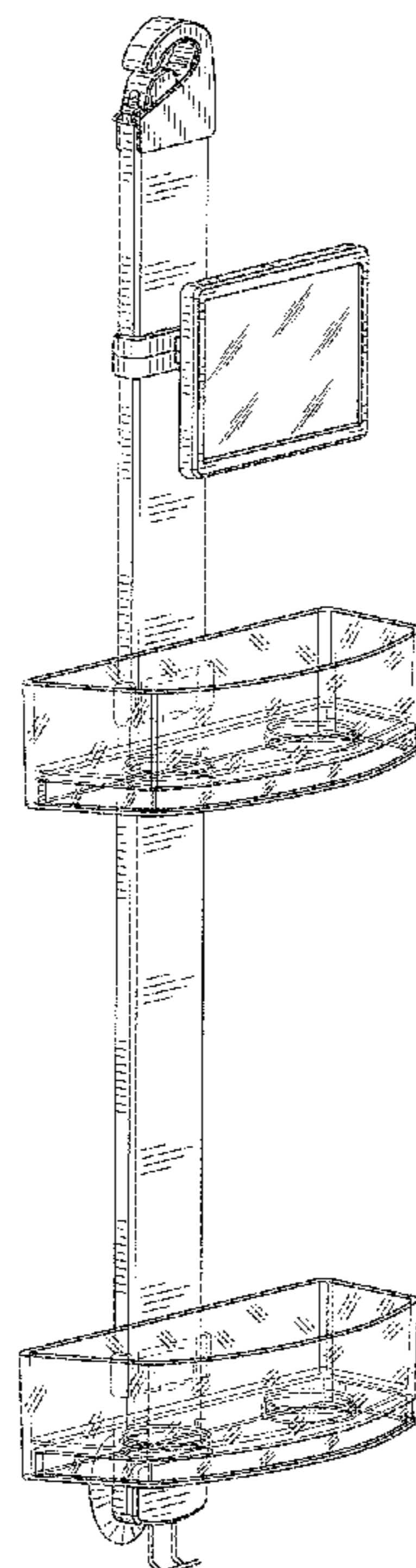
(57) **CLAIM**

The ornamental design for a shower caddy, as shown and described.

**DESCRIPTION**

FIG. 1 is a front-left perspective view of a shower caddy of the claimed design;  
FIG. 2 is a front view of the shower caddy of FIG. 1;  
FIG. 3 is a rear view of the shower caddy of FIG. 1;  
FIG. 4 is a left side view of the shower caddy of FIG. 1;  
FIG. 5 is a right side view of the shower caddy of FIG. 1;  
FIG. 6 is a top view of the shower caddy of FIG. 1; and,  
FIG. 7 is a bottom view of the shower caddy of FIG. 1.  
The broken lines shown in the figures represent portions of the shower caddy that form no part of the claimed design.

**1 Claim, 5 Drawing Sheets**



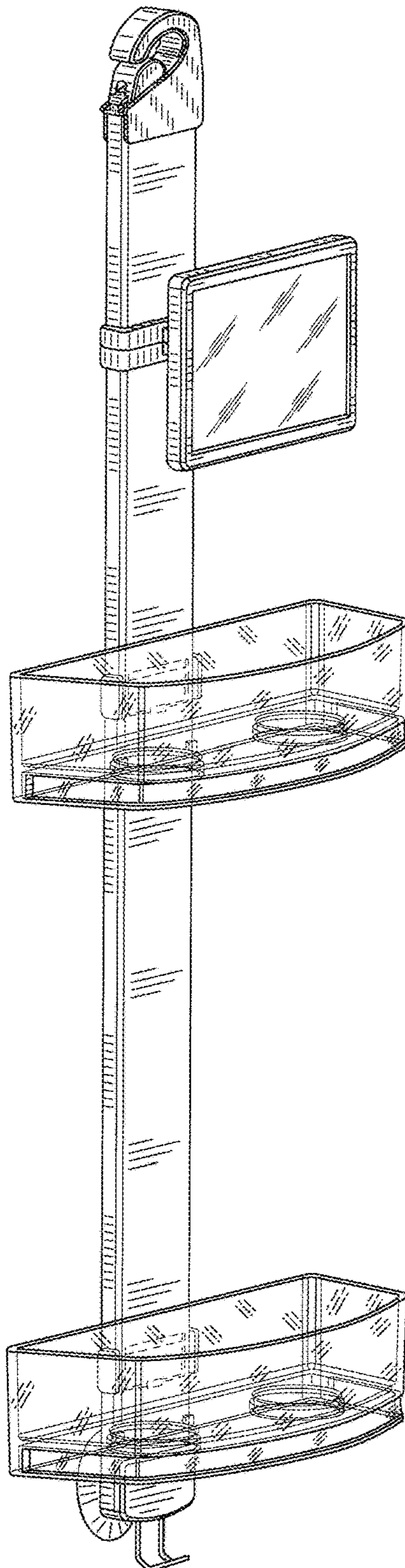


FIG. 1

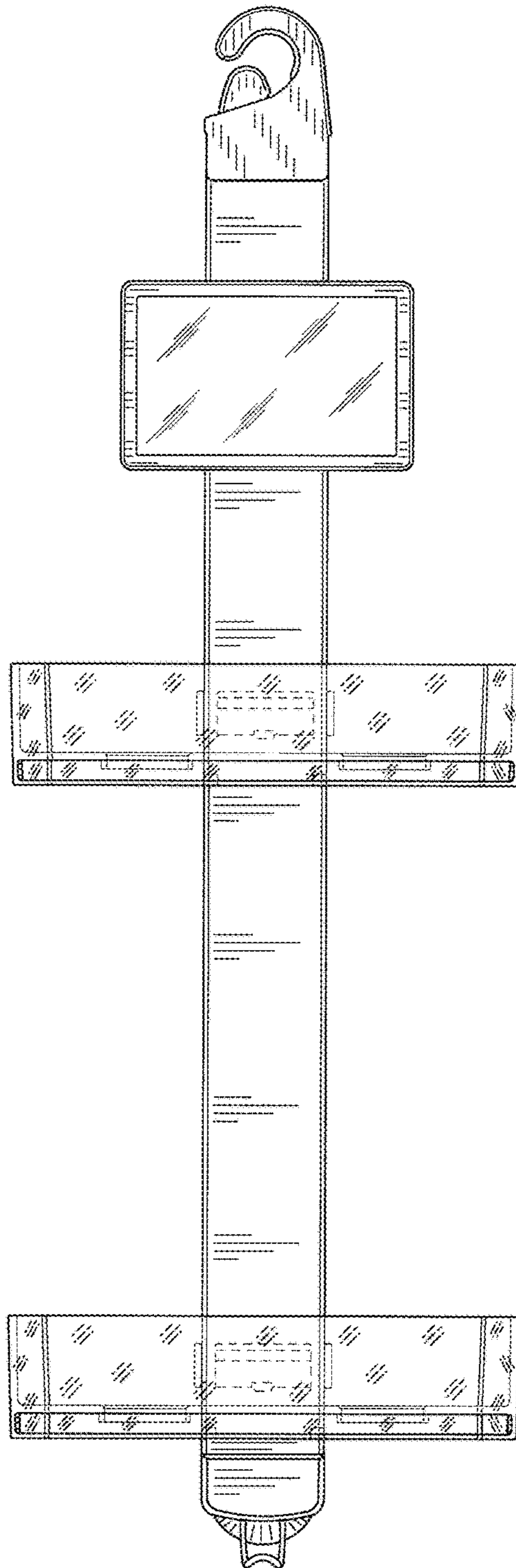


FIG. 2

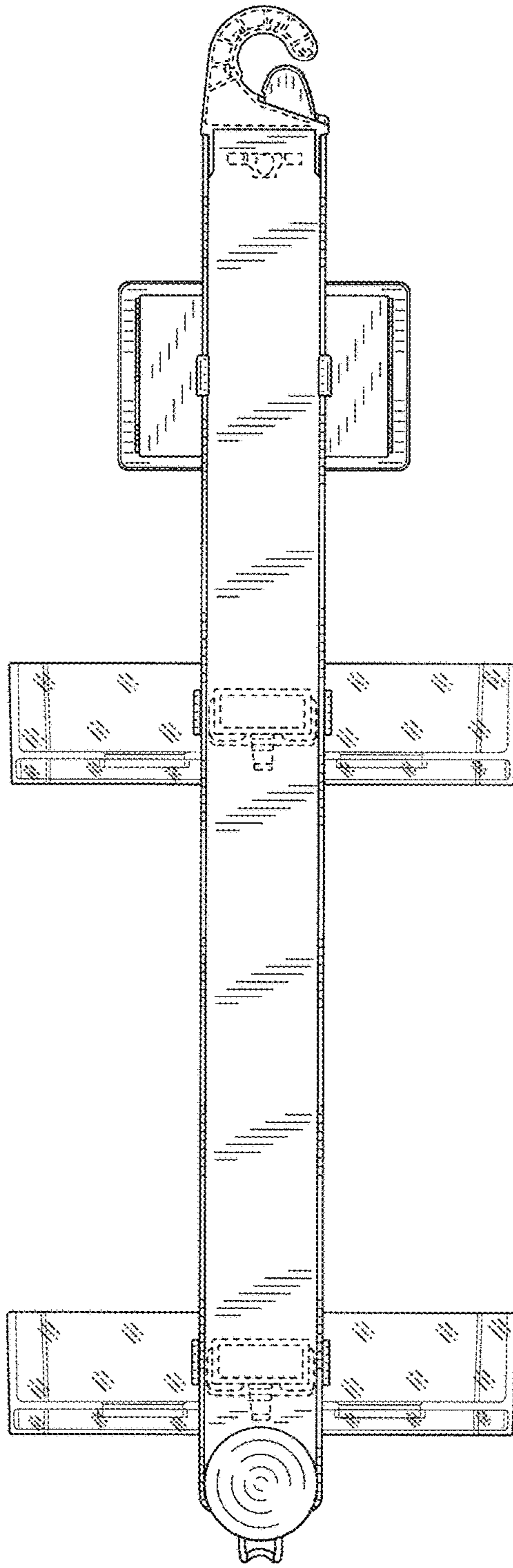


FIG. 3

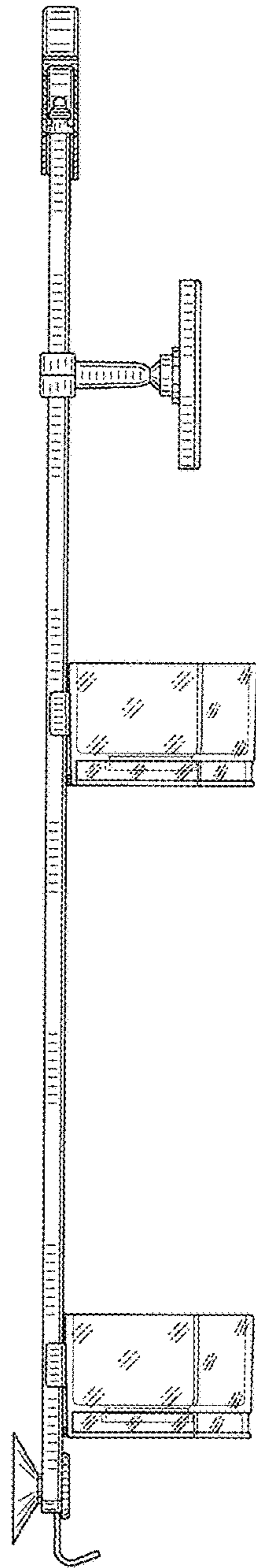


FIG. 4

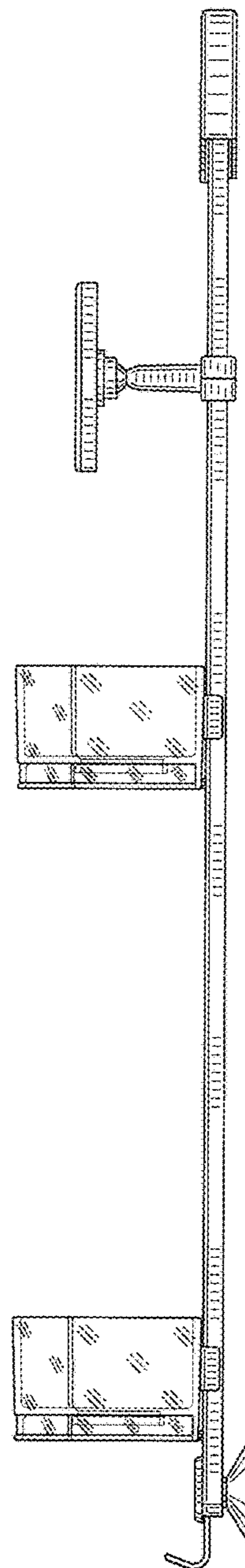


FIG. 5

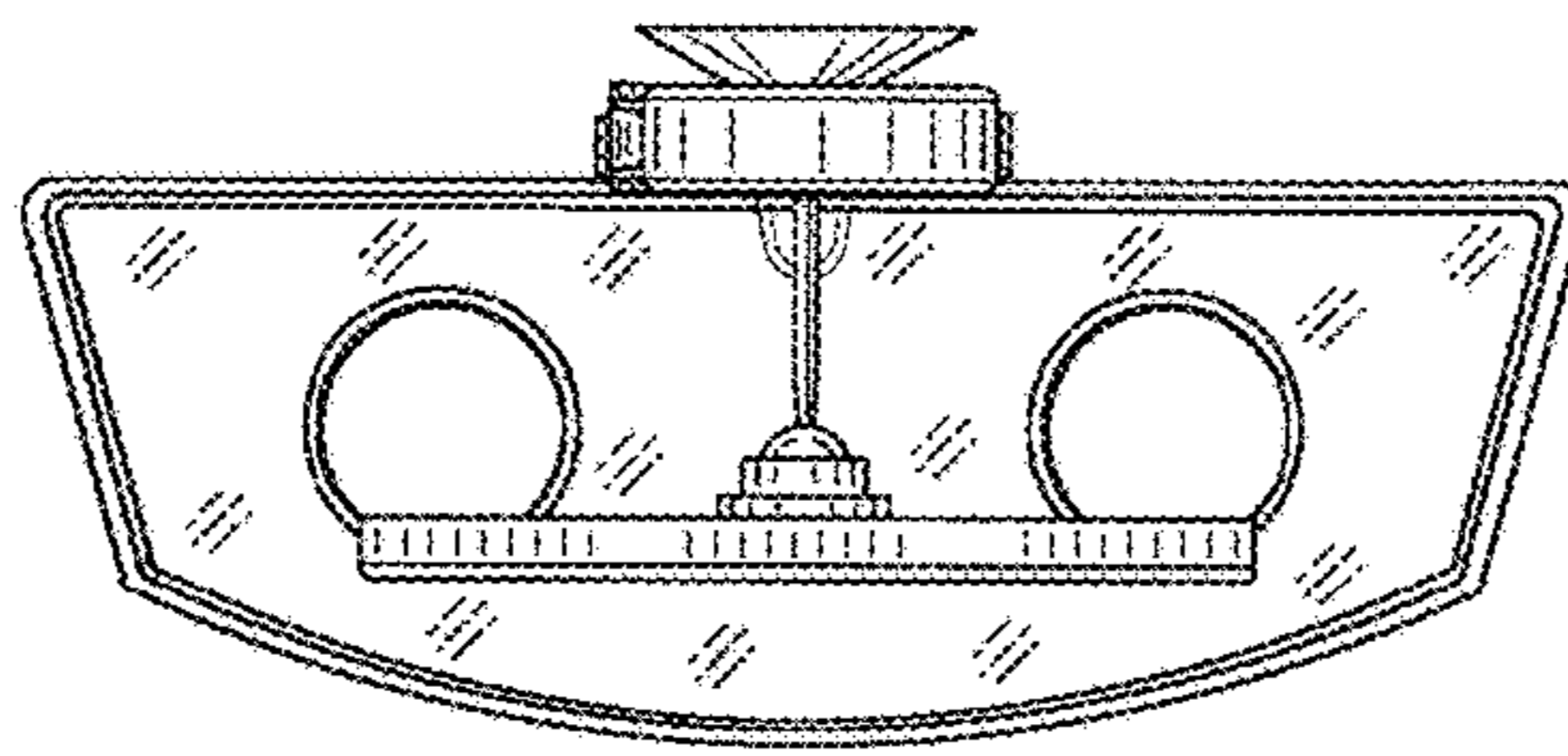


FIG. 6

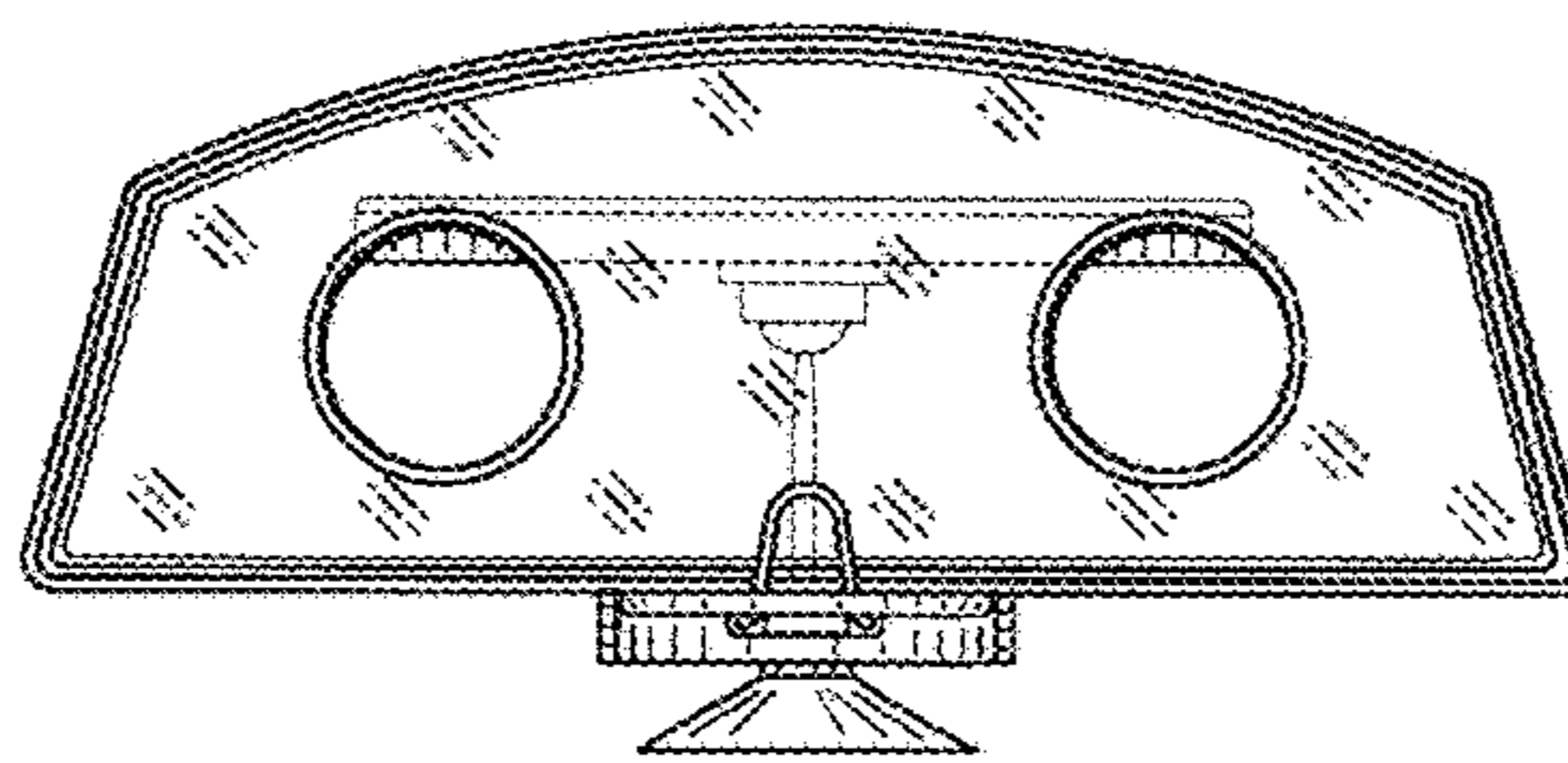


FIG. 7