

US00D862105S

(12) **United States Design Patent**
Liu et al.

(10) **Patent No.:** **US D862,105 S**
(45) **Date of Patent:** **** Oct. 8, 2019**

(54) **FURNITURE BED**

(71) Applicant: **Alton Furniture**, City of Industry, CA
(US)

(72) Inventors: **Li Zun Liu**, Guangdong Province
(CN); **Ping Hua Hsu**, Guangdong
Province (CN)

(**) Term: **15 Years**

(21) Appl. No.: **29/614,934**

(22) Filed: **Aug. 24, 2017**

(51) **LOC (12) Cl.** **06-02**

(52) **U.S. Cl.**
USPC **D6/393**

(58) **Field of Classification Search**
USPC D6/382-384, 392, 393-395, 718.13, 718
CPC A47C 17/02; A47C 17/50; A47C 19/00;
A47C 19/005; A47C 19/021; A47C
19/022; A47C 19/025; A47C 19/04; A47C
19/12; A47C 19/024
See application file for complete search history.

(56) **References Cited**

U.S. PATENT DOCUMENTS

D103,092 S *	2/1937	Braun	D6/393
3,731,327 A *	5/1973	Frey	A47C 19/005 5/411
D450,471 S *	11/2001	Dordoni	D6/393
D453,639 S *	2/2002	Dordoni	D6/393
D495,160 S *	8/2004	Dordoni	D6/384
D509,677 S *	9/2005	Junbeau	D6/393
D521,272 S *	5/2006	Hutton	D6/393
D526,140 S *	8/2006	Cook	D6/393
D542,051 S *	5/2007	Boerner	D6/393
D592,885 S *	5/2009	Mainzer	D6/393
D608,562 S *	1/2010	Chen	D6/384
8,869,324 B1 *	10/2014	Lin	A47C 19/02 5/200.1

9,089,222 B2 *	7/2015	Stewart	A47C 19/025
D736,537 S *	8/2015	Grossman	D6/392
9,414,690 B2 *	8/2016	Harrow	A47C 19/122
D779,868 S *	2/2017	Zhu	D6/718
9,713,389 B2 *	7/2017	Oh	A47C 19/005
9,854,917 B2 *	1/2018	Chen	A47C 19/005
D810,458 S *	2/2018	Cartier	D6/384

(Continued)

Primary Examiner — Cathron C Brooks

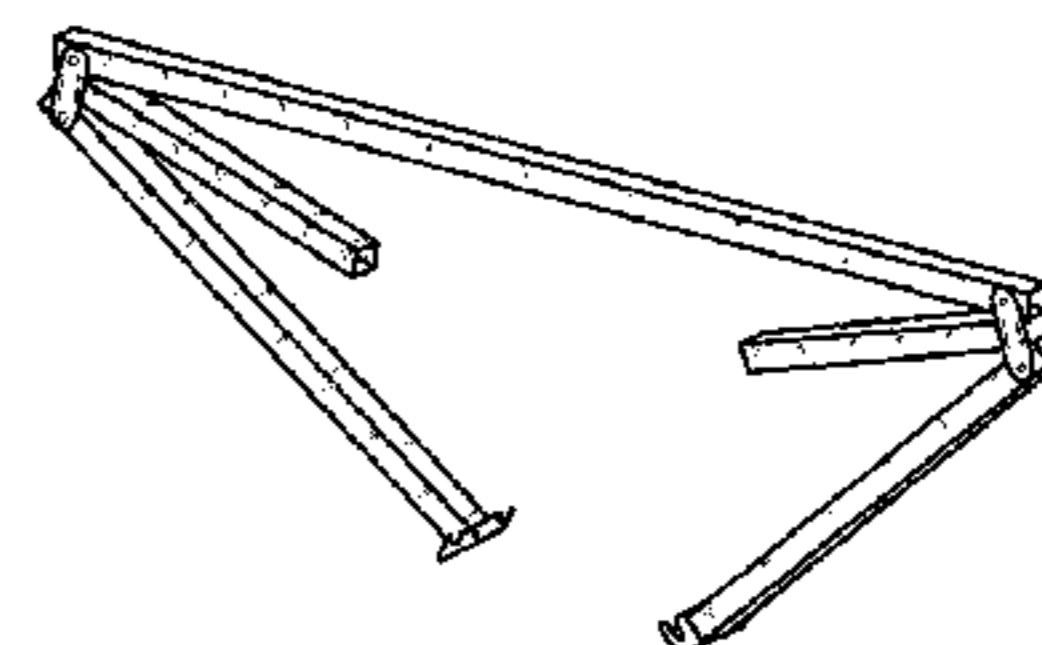
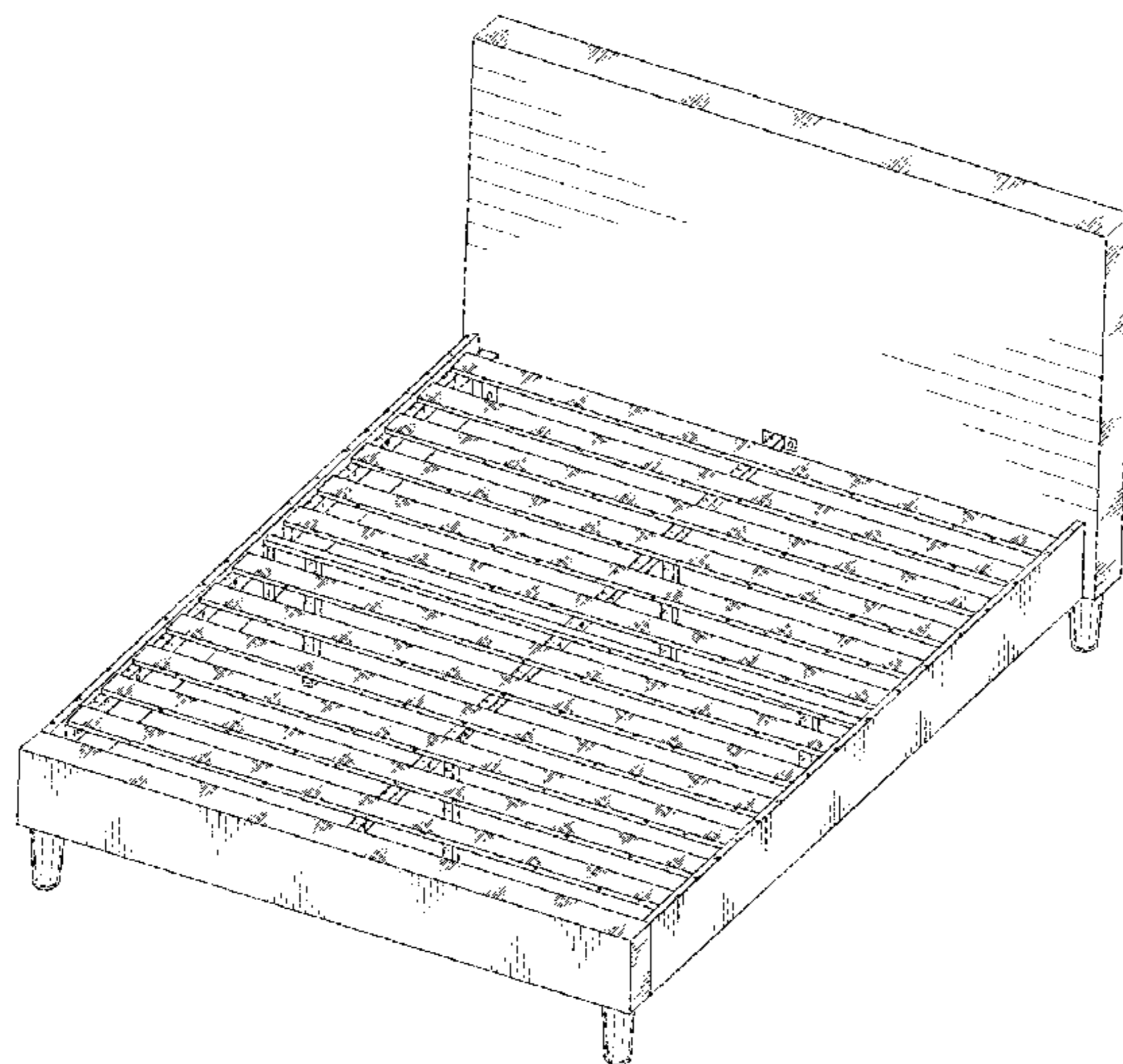
(57) **CLAIM**

The ornamental design for the furniture bed, as shown and described.

DESCRIPTION

FIG. 1 is a perspective view of the furniture bed;
 FIG. 2 is a front view of the design of the furniture bed in FIG. 1;
 FIG. 3 is a back view of the design of the furniture bed shown in FIG. 1;
 FIG. 4 is a side view of the design of the furniture bed shown in FIG. 1;
 FIG. 5 is a top view of the design of the furniture bed shown in FIG. 1;
 FIG. 6 is a bottom view of the design of the furniture bed shown in FIG. 1;
 FIG. 7 is a fully collapsed cross bar that runs length of the furniture bed in FIG. 1 shown separately;
 FIG. 8 is a partially collapsed cross bar that runs length of the furniture bed in FIG. 1 shown separately;
 FIG. 9 is a fully expanded cross bar that runs the length of the furniture bed in FIG. 1 shown separately;
 FIG. 10 is a fully collapsed cross bar that runs the width of the furniture bed in FIG. 1 shown separately; and,
 FIG. 11 is a fully expanded cross bar that runs the width of the furniture bed in FIG. 1 shown separately.
 In FIG. 1 to FIG. 8, the regularly and closely spaced line segments as surface shading and not surface ornamentation.

1 Claim, 6 Drawing Sheets



(56)

References Cited

U.S. PATENT DOCUMENTS

2008/0165481 A1* 7/2008 Kirschner A47B 81/064
361/679.07
2008/0222802 A1* 9/2008 Harrow A47C 19/005
5/286
2010/0175186 A1* 7/2010 Harrow A47C 19/005
5/400
2017/0071355 A1* 3/2017 Oh A47C 19/005
2017/0238715 A1* 8/2017 Choi A47C 19/005
2018/0344041 A1* 12/2018 Liu A47C 19/005

* cited by examiner

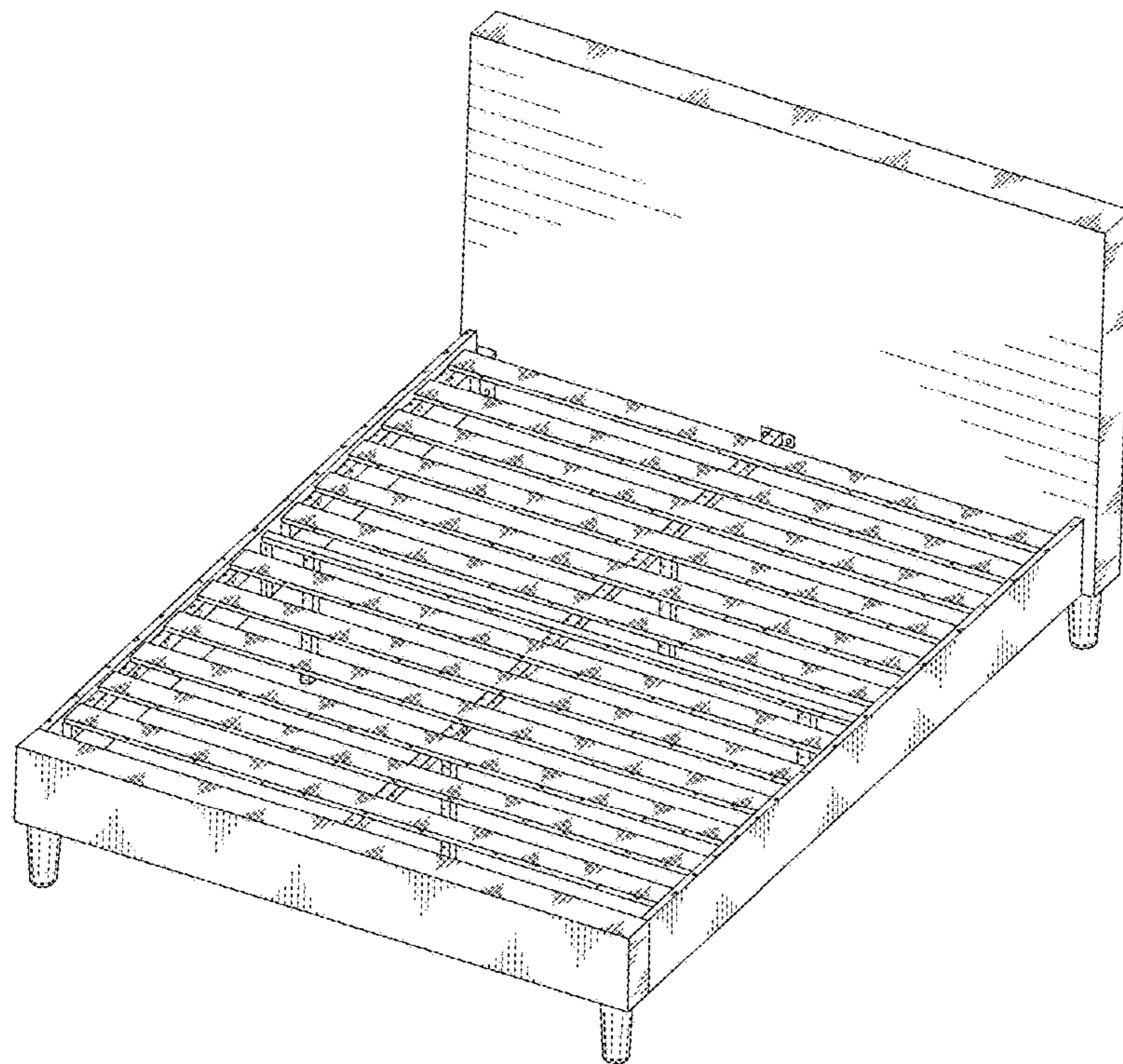


FIG. 1

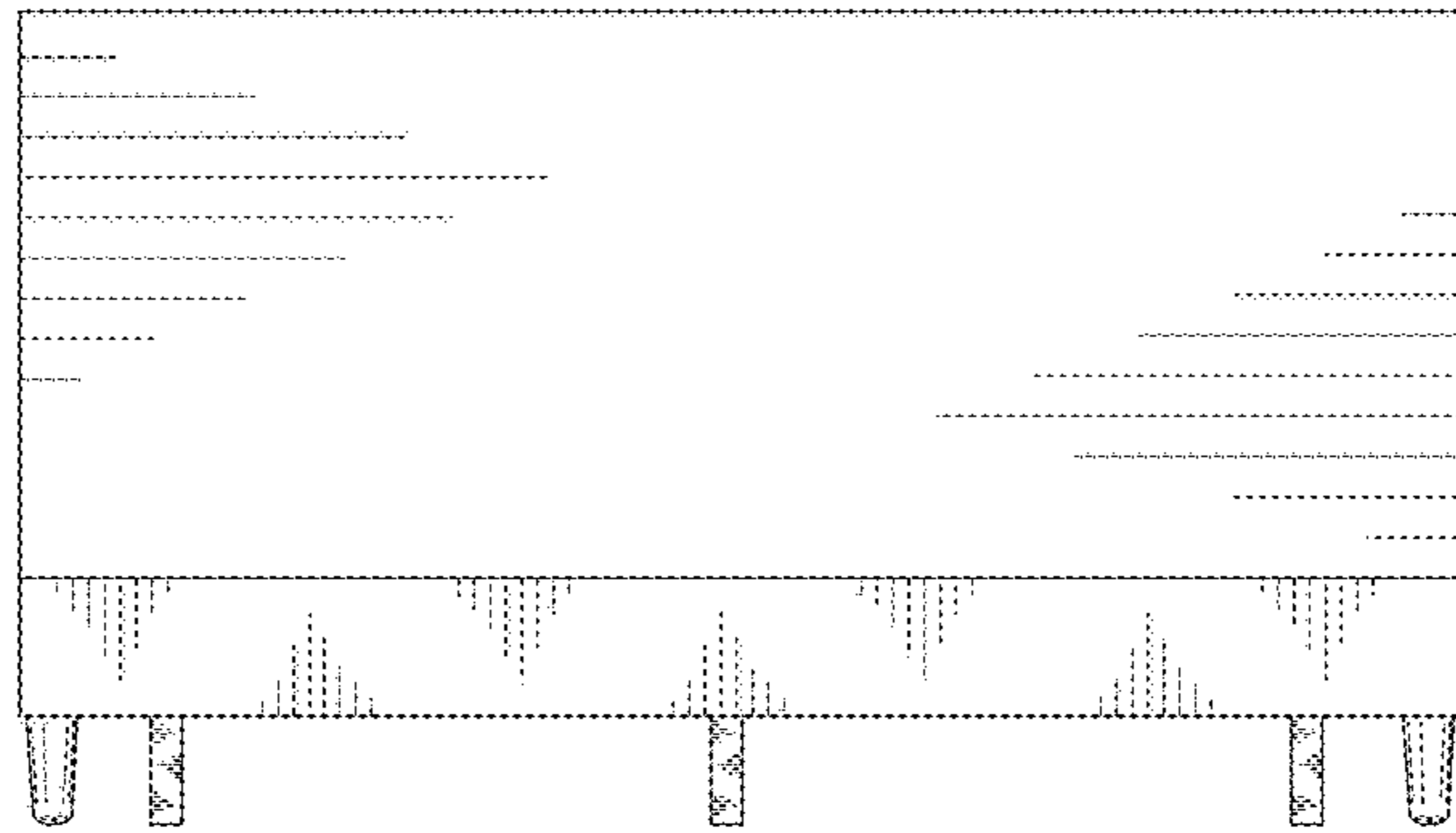


FIG. 2

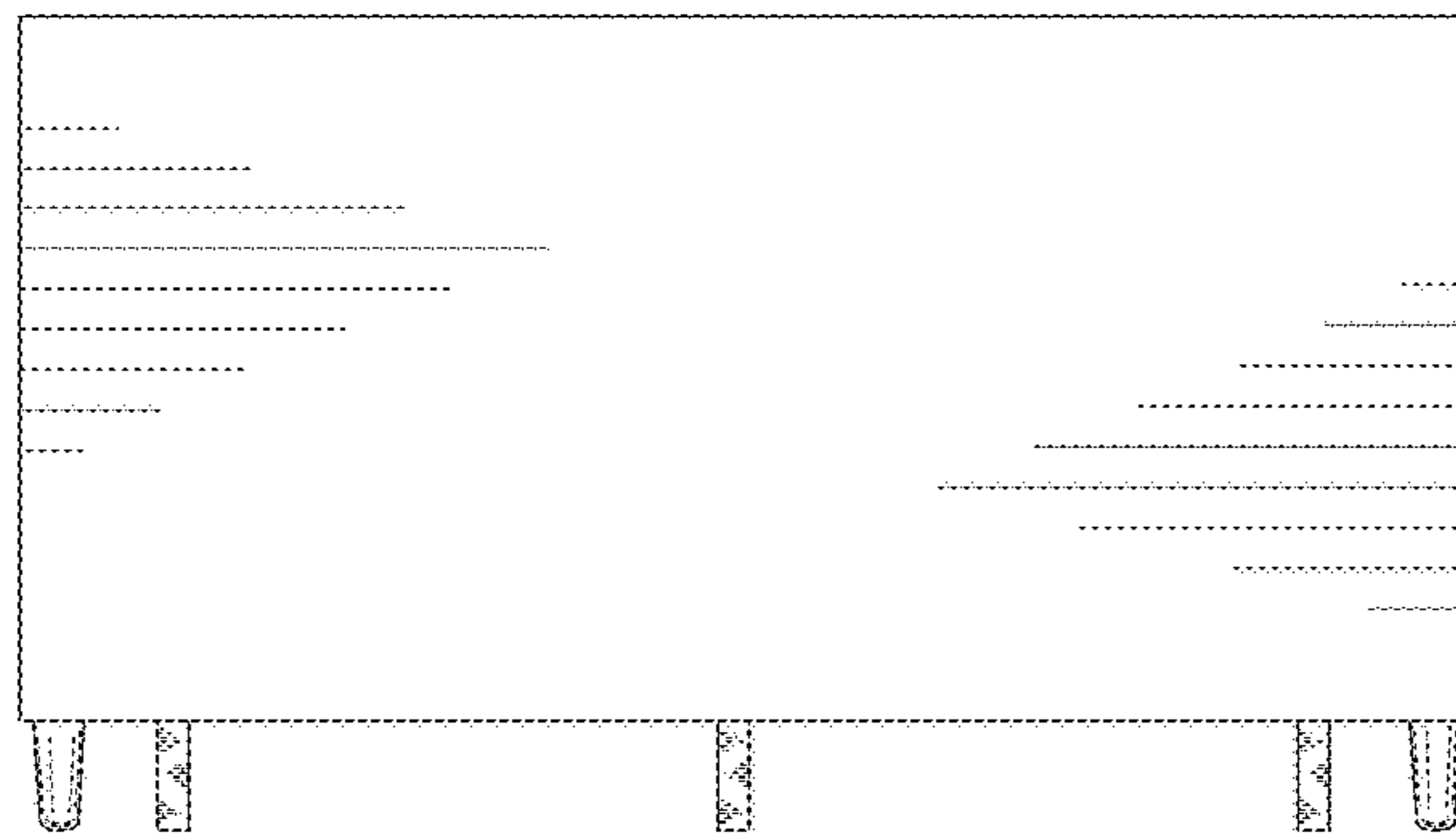


FIG. 3

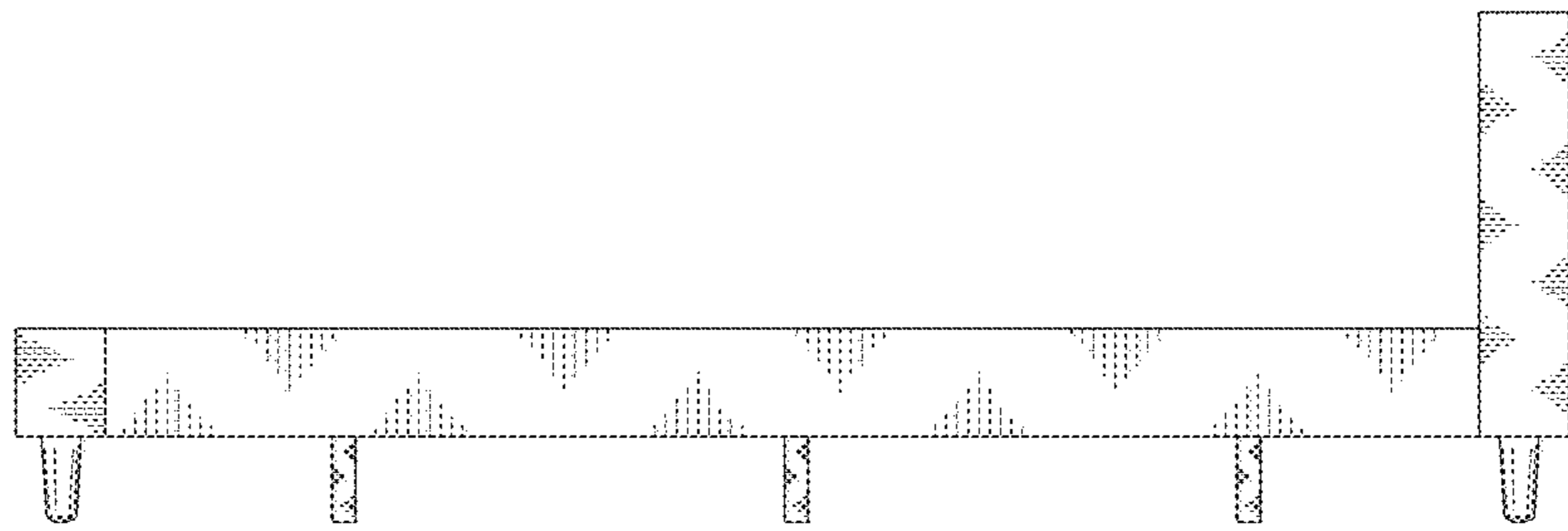


FIG. 4

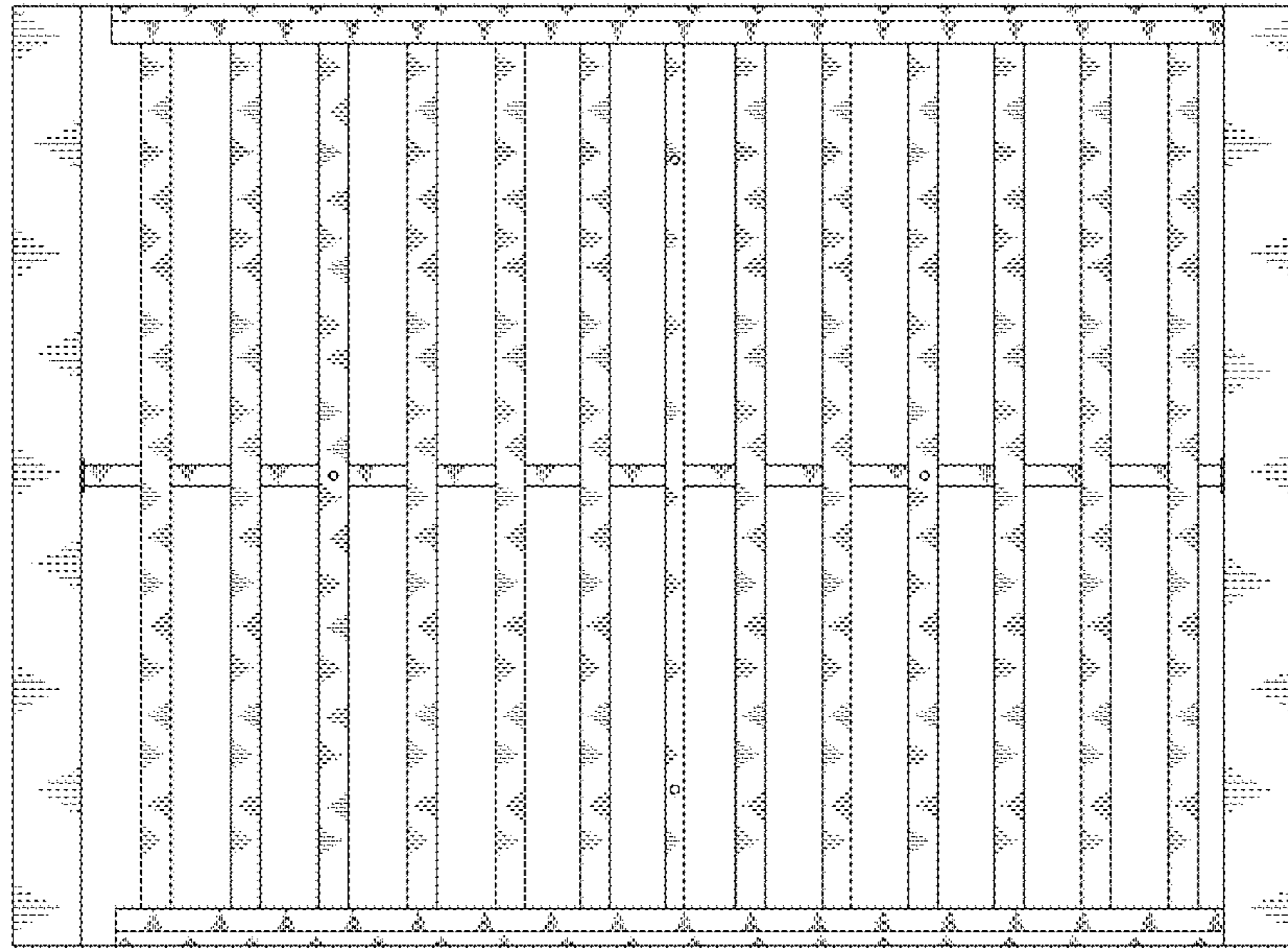


FIG. 5

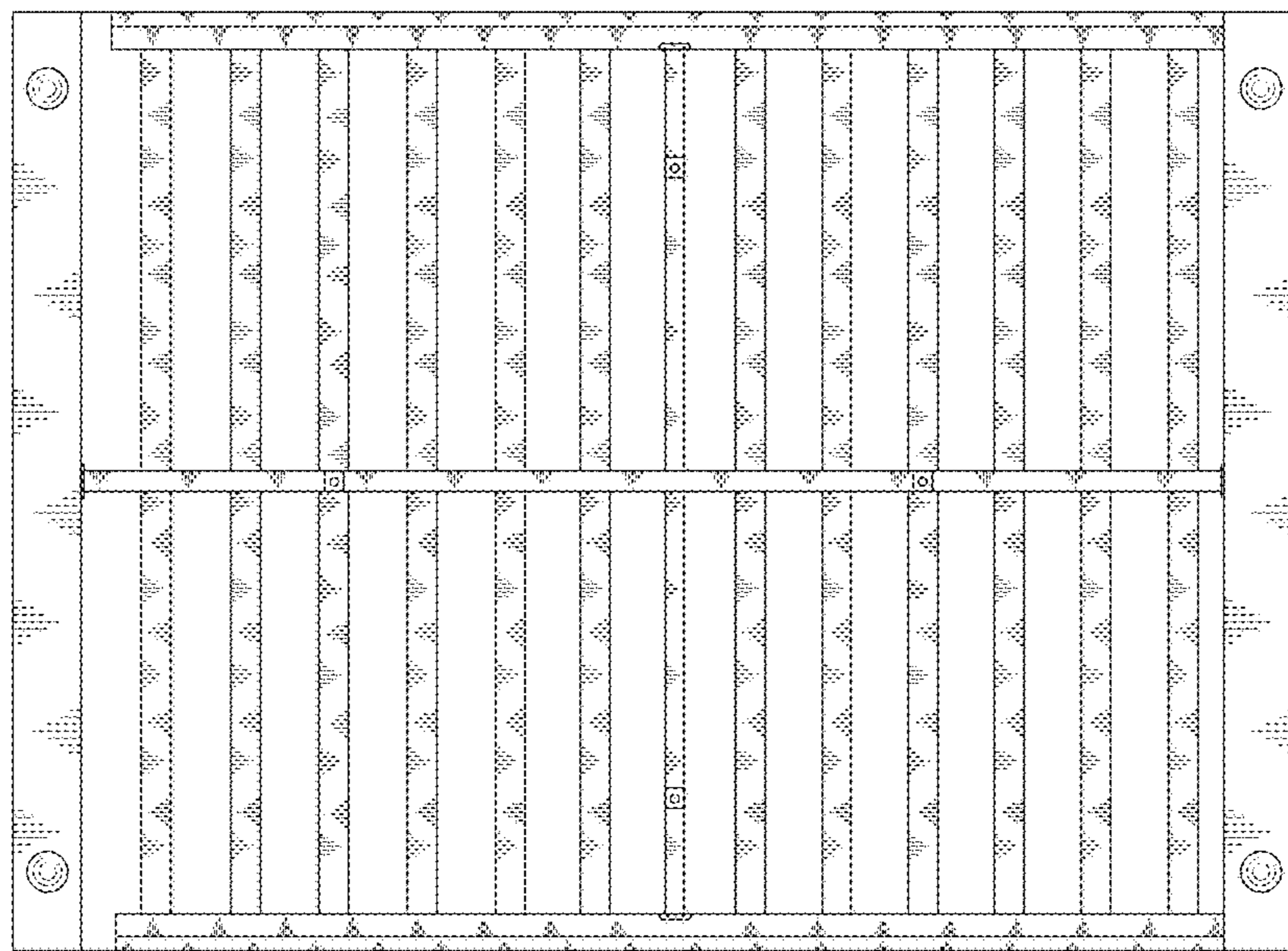


FIG. 6

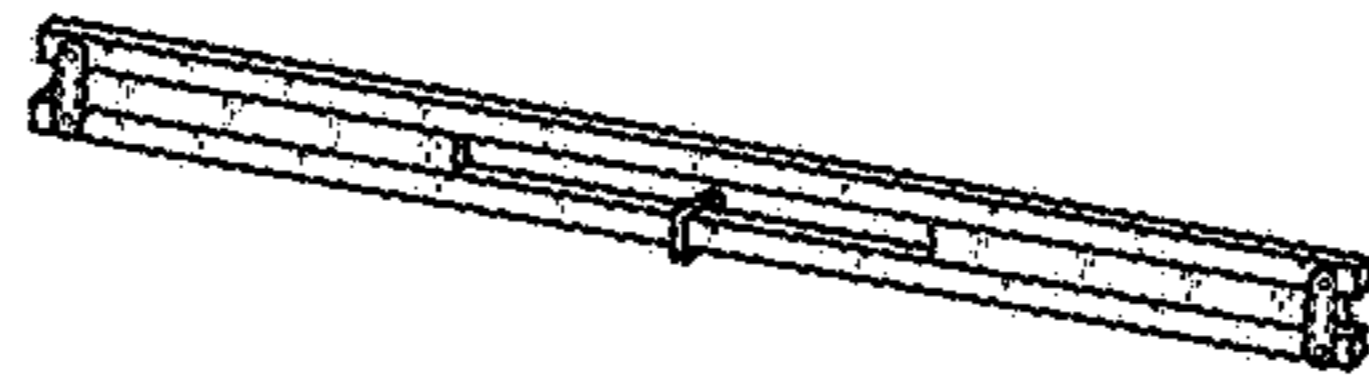


FIG. 7

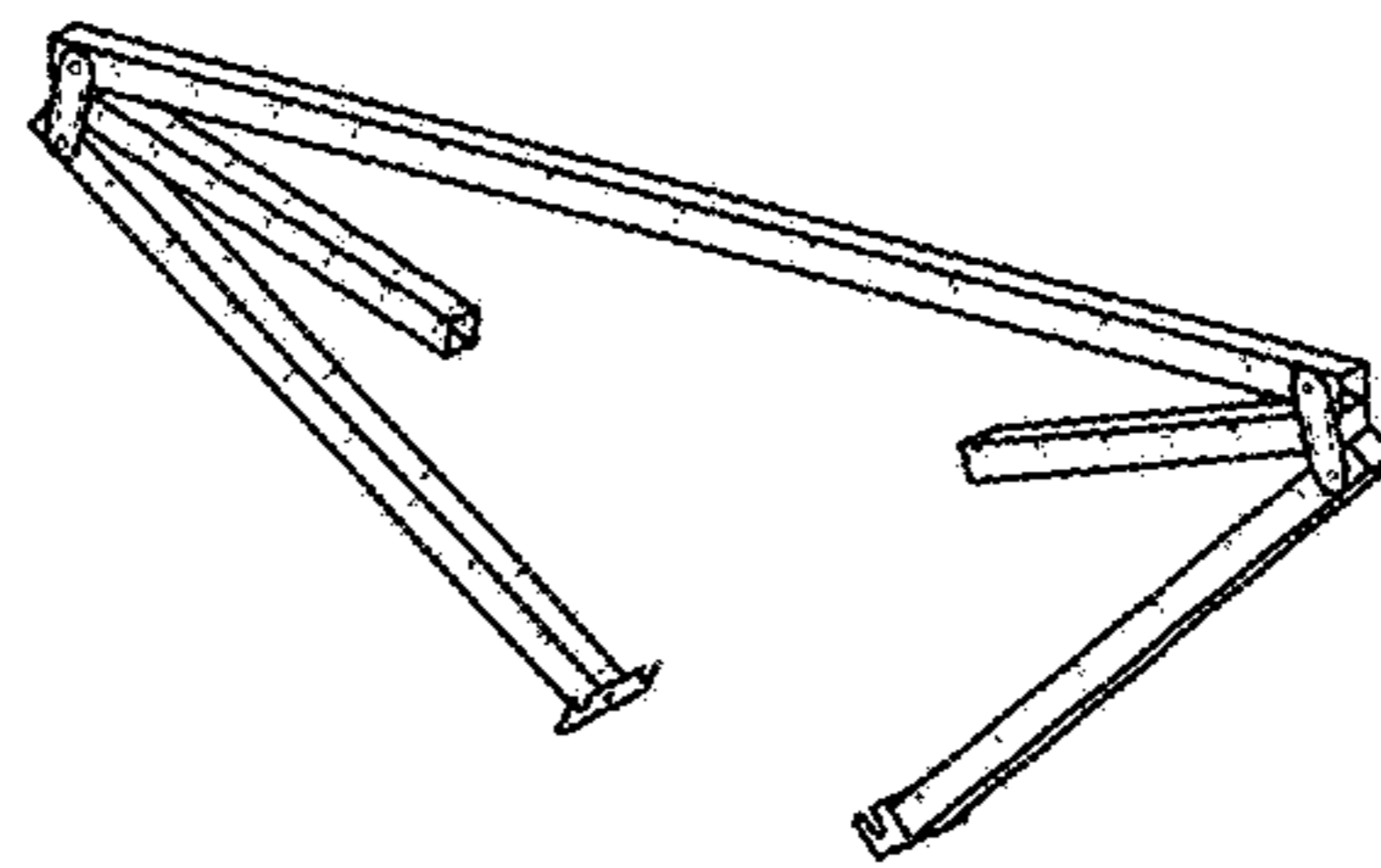


FIG. 8

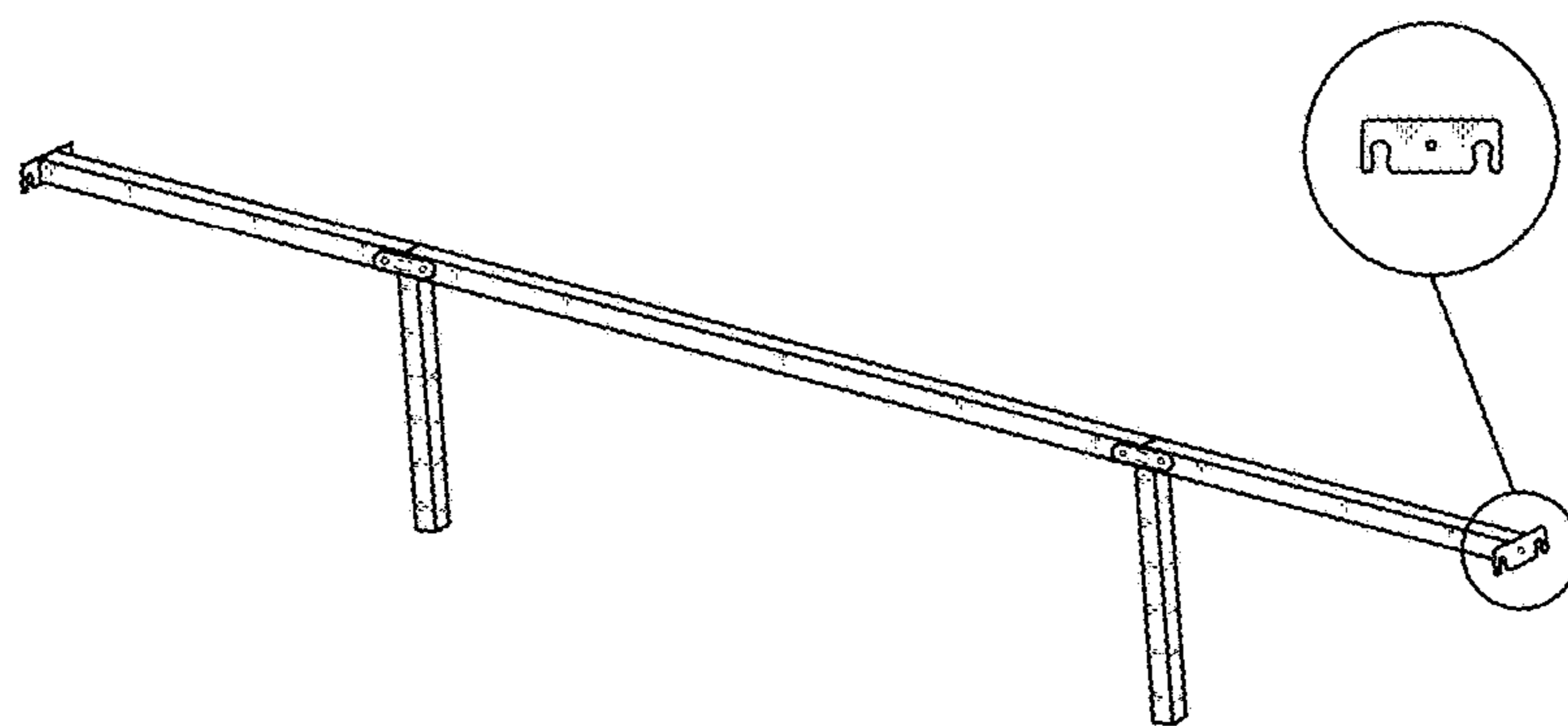


FIG. 9

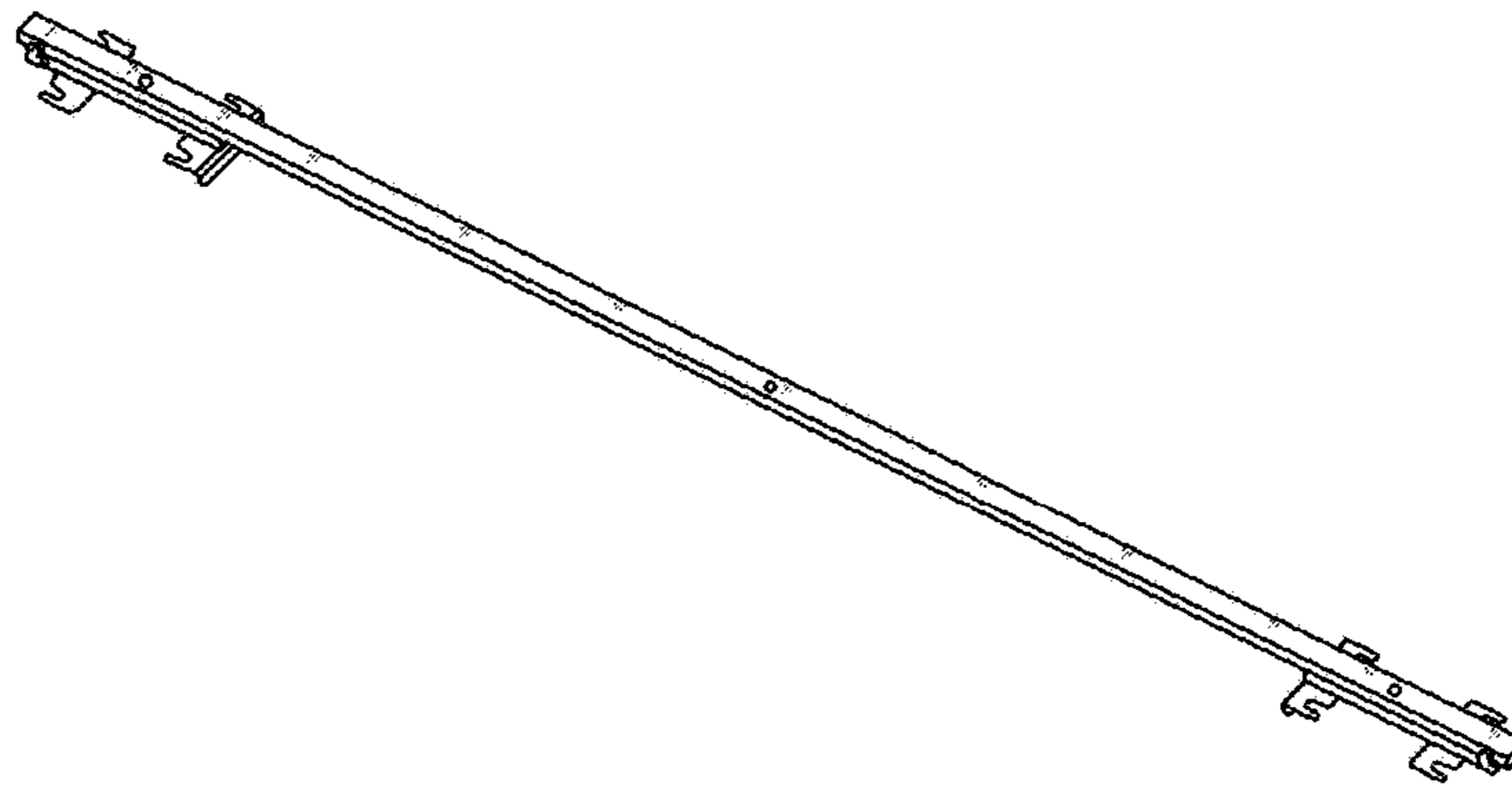


FIG. 10

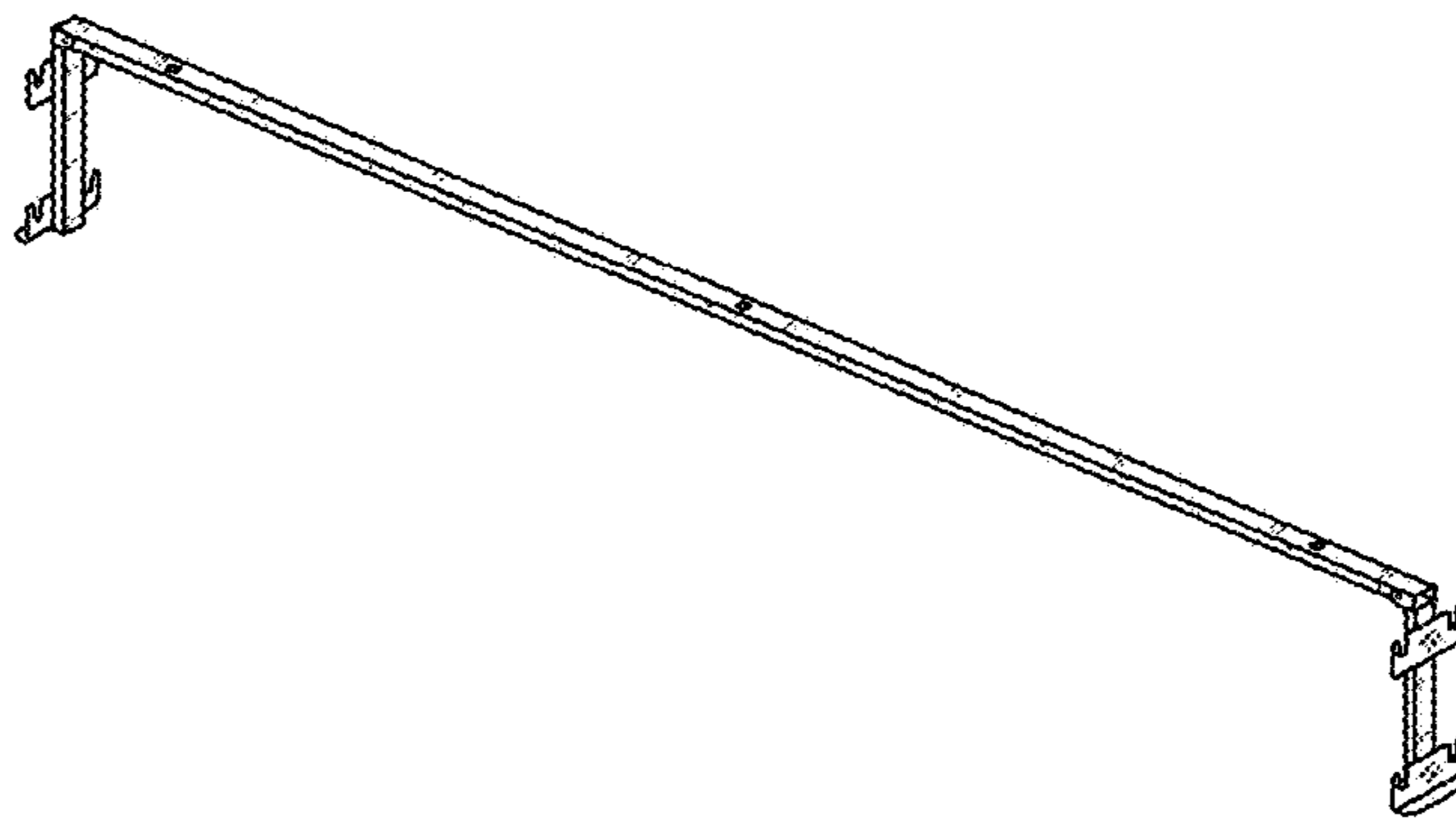


FIG. 11