



US00D862104S

(12) **United States Design Patent** (10) **Patent No.:** **US D862,104 S**
Suzuki et al. (45) **Date of Patent:** **** Oct. 8, 2019**

(54) **PLATFORM BED FRAME**

(71) Applicant: **Casper Sleep Inc.**, New York, NY (US)

(72) Inventors: **Gen Suzuki**, Kanagawa (JP); **Shail Shah**, Oakland, CA (US); **Oivind Brockmeier**, Boston, MA (US)

(73) Assignee: **Casper Sleep Inc.**, New York, NY (US)

(**) Term: **15 Years**

(21) Appl. No.: **29/641,393**

(22) Filed: **Mar. 21, 2018**

(51) **LOC (12) Cl.** **06-02**

(52) **U.S. Cl.**
USPC **D6/383**

(58) **Field of Classification Search**
USPC D6/382–384, 393–395, 718, 718.13,
D6/718.21, 718.25; D30/118; D21/520
(Continued)

(56) **References Cited**

U.S. PATENT DOCUMENTS

1,893,548 A 1/1933 Hardy
D107,880 S 1/1938 Marsack
(Continued)

FOREIGN PATENT DOCUMENTS

CN 102822224 12/2012
CN 203328338 12/2013
(Continued)

OTHER PUBLICATIONS

International Search Report and Written Opinion for PCT/US18/
46573 dated Oct. 22, 2018, 23 pages.
(Continued)

Primary Examiner — Cathron C Brooks

(74) *Attorney, Agent, or Firm* — Koffsky Schwalb LLC;
Mark I. Koffsky

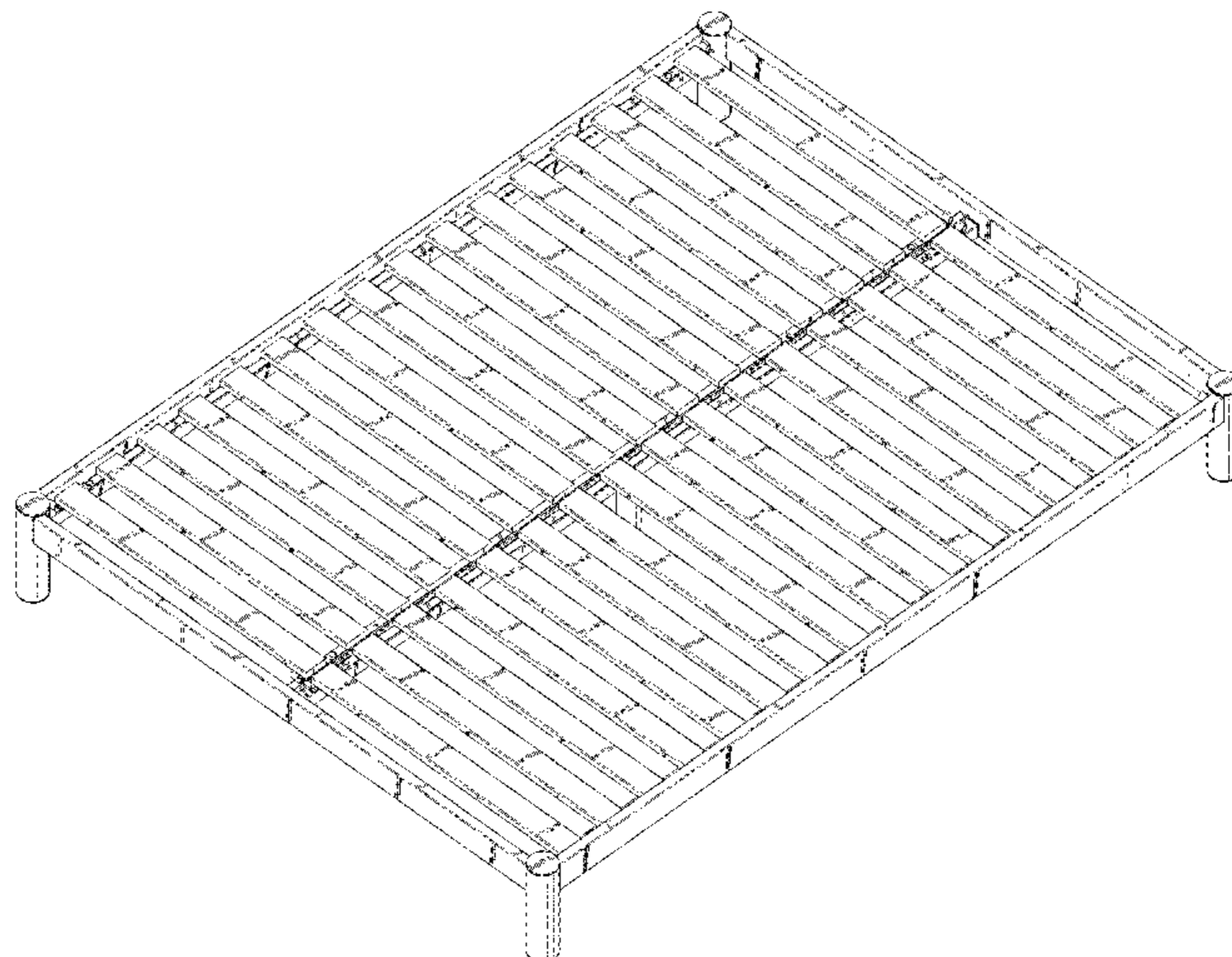
(57) **CLAIM**

We claim the ornamental design for a platform bed frame, as shown and described.

DESCRIPTION

FIG. 1 is a front perspective view of a platform bed frame in accordance with the present invention;
FIG. 2 is a front view thereof;
FIG. 3 is a rear view thereof;
FIG. 4 is a left view thereof;
FIG. 5 is a right view thereof;
FIG. 6 is a top view thereof; and
FIG. 7 is a bottom view thereof.
FIG. 8 is a closeup of an overhead perspective inner view of a rear-left corner post of a platform bed frame, the rear-right corner post, front-left corner post and front-right corner post being mirror images;
FIG. 9 is an overhead perspective outer view thereof;
FIG. 10 is a left view thereof; and
FIG. 11 is a rear view thereof.
FIG. 12 is a closeup of an overhead perspective view of a rear connector of a platform bed frame, the front connector being a mirror image.
FIG. 13 is a front perspective view of a platform bed frame in accordance with the present invention;
FIG. 14 is a front view thereof;
FIG. 15 is a rear view thereof;
FIG. 16 is a left view thereof;
FIG. 17 is a right view thereof;
FIG. 18 is a top view thereof; and
FIG. 19 is a bottom view thereof.
FIG. 20 is a closeup of an overhead perspective inner view of a rear-left corner post of a platform bed frame, the rear-right corner post, front-left corner post and front-right corner post being mirror images;
FIG. 21 is an overhead perspective outer view thereof;
FIG. 22 is a left view thereof; and,
FIG. 23 is a rear view thereof.

1 Claim, 15 Drawing Sheets



(58) **Field of Classification Search**
 CPC A47C 19/00; A47C 19/005; A47C 19/021;
 A47C 19/022; A47C 19/025
 See application file for complete search history.

(56) **References Cited**

U.S. PATENT DOCUMENTS

2,399,235	A	4/1946	Leslie	
2,399,625	A	4/1946	Leslie	
3,400,413	A	9/1968	La Grossa	
D256,734	S	9/1980	Riley	
D301,412	S *	6/1989	Duvivier	D6/361
5,023,970	A	6/1991	Tesch	
5,219,307	A	6/1993	Morrison	
5,291,625	A	3/1994	Leslie	
5,294,181	A	3/1994	Rose	
5,561,876	A	10/1996	Petruzella	
D411,057	S *	6/1999	Johnson, Jr.	D6/392
6,175,890	B1	1/2001	Yamaura	
6,175,980	B1	1/2001	Gaither	
6,301,730	B1	10/2001	Delfs	
6,305,317	B1	10/2001	Spiegel	
D486,665	S *	2/2004	Weaver	D6/382
D486,877	S	2/2004	Peterson	
D486,969	S *	2/2004	Weaver	D6/361
D487,207	S	3/2004	Manuel	
6,983,500	B2	1/2006	Wootten	
D551,704	S	9/2007	Nakamura	
D581,713	S	12/2008	Berke	
7,530,127	B2	5/2009	Leifermann	
7,614,362	B2	11/2009	Dunn	
D608,560	S *	1/2010	Chen	D6/384
D608,561	S *	1/2010	Chen	D6/384
D608,562	S *	1/2010	Chen	D6/384
7,788,750	B2	9/2010	Norstrem	
8,051,514	B2	11/2011	Yarmer	
D657,150	S *	4/2012	Hughes	D6/361
D658,412	S *	5/2012	Hoyord	D6/716.1
D663,077	S *	7/2012	Pohl	D30/118
D664,303	S	7/2012	Chauncey	
8,245,339	B2	8/2012	Murray	
D674,644	S	1/2013	Stewart	
D675,855	S	2/2013	Reeves	
D679,870	S	4/2013	Williams	
D696,044	S	12/2013	Robilotto	
D702,971	S	4/2014	Mitchell	
D702,972	S	4/2014	Busch	
D722,239	S	2/2015	Russell	
8,959,683	B2	2/2015	Rochlin	
D723,304	S	3/2015	Chang	
D725,832	S	3/2015	Coulter	
D731,209	S	6/2015	Fux	
9,085,125	B2	7/2015	Gesquiere	
D736,537	S *	8/2015	Grossman	D6/392
D747,899	S	1/2016	Klein	
D773,209	S	12/2016	Jaigobin	
D776,960	S	1/2017	Suzuki	
D779,856	S	2/2017	Rich	
D785,370	S	5/2017	Randall	
D785,968	S *	5/2017	Burden	D6/395
D791,494	S	7/2017	Bosch	
D798,077	S	9/2017	Schmitt	
D802,324	S	11/2017	Bucove et al.	
D810,458	S *	2/2018	Cartier	D6/384
2003/0181538	A1	9/2003	Martel	
2003/0233706	A1	12/2003	Birch	
2004/0154101	A1	8/2004	DiGirolamo	
2005/0210595	A1	9/2005	Di Stasio	
2006/0046024	A1	3/2006	Huntley	
2006/0272582	A1	12/2006	Dunn	
2007/0040424	A1	2/2007	Neustat	
2007/0226911	A1	10/2007	Gladney	
2007/0273539	A1	11/2007	Gananathan	
2008/0010751	A1	1/2008	Kemper	
2008/0127897	A1	6/2008	Flannery	
2009/0089933	A1	4/2009	Letton	

2009/0106894	A1	4/2009	Yeo	
2009/0151072	A1	6/2009	Jones, III	
2009/0172881	A1	7/2009	Peterson	
2010/0058541	A1	3/2010	Kemper	
2010/0087561	A1	4/2010	Abraham	
2010/0160473	A1	6/2010	Neff	
2010/0205738	A1	8/2010	Pollack	
2010/0269262	A1	10/2010	Warren	
2011/0061168	A1	3/2011	Farley	
2011/0067183	A1	3/2011	Hawkins	
2011/0154576	A1	6/2011	Warren	
2011/0252572	A1	10/2011	Morrison	
2011/0290834	A1	12/2011	Pelz	
2012/0001548	A1	1/2012	Recker	
2013/0247828	A1	9/2013	Tedaldi	
2013/0263377	A1	10/2013	Wootten, Jr.	
2013/0263386	A1	10/2013	Romero	
2014/0039082	A1	2/2014	Peterson	
2014/0059765	A1	3/2014	Harris	
2014/0082846	A1	3/2014	Blazar	
2014/0099468	A1	4/2014	Cai	
2014/0130255	A1	5/2014	Montano, Jr.	
2014/0189955	A1	7/2014	Alletto, Jr.	
2014/0208517	A1	7/2014	Gross	
2014/0227552	A1	8/2014	Lau	
2014/0230735	A1	8/2014	Coulter	
2014/0250596	A1	9/2014	De La Place	
2014/0283303	A1	9/2014	Rochlin	
2015/0000042	A1	1/2015	Randall	
2015/0074911	A1	3/2015	Dungan	
2015/0135435	A1	5/2015	Ueda	
2015/0296995	A1	10/2015	Krim	
2016/0169490	A1	6/2016	Kijima	
2016/0224750	A1	8/2016	Kethman	
2017/0172240	A1	6/2017	Massey	
2017/0208955	A1*	7/2017	Lee	A47C 19/025
2017/0238715	A1*	8/2017	Choi	A47C 19/005

FOREIGN PATENT DOCUMENTS

DE	10311434	9/2004
GB	1572763	8/1980
GB	2369569	6/2002
WO	2013157534	10/2013
WO	2014105687	7/2014
WO	201908930	A1 5/2019

OTHER PUBLICATIONS

Office Action dated Mar. 20, 2019 for U.S. Appl. No. 15/611,902 (pp. 1-16).
 Japanese Office Action (with English language translation) for Application No. 2017-507687, dated Apr. 2, 2019, 9 pages.
 International Search Report and Written Opinion for PCT/US19/12582, dated Apr. 25, 2019, 14 pages.
 International Search Report, Written Opinion of ISA and Search History, PCT/US2015/026564, dated Aug. 31, 2015. (19 pages).
 Communication from Thomas Petr received in PCT/US2015/026564, dated Feb. 27, 2016. (1 page).
 Supplementary Partial European Search Report for EP 15 78 3835 (dated Nov. 14, 2017) (14 pages).
 Dormia Website Existing at Least as Early as Jun. 14, 2008. (2 pages).
 Specification and Build Sheet for Dormia Radiance Mattress dated Jun. 14, 2007. (2 pages).
 Correspondence Regarding Distribution of Dormia Radiance Mattress, Authored by Classic Brands, LLC, dated Nov. 1, 2007. (1 pg).
 Casper Pillow review. Sleepopolis. Published on Jan. 22, 2016. Website found at: <https://www.youtube.com/watch?v=h4AhiXbEO3U>. (15 pages).
 Third-Party Submission Under 37 CFR 1.290 dated Jun. 14, 2016 in U.S. Appl. No. 14/689,945. (15 pages).
 Third-Party Submission Under 37 CFR 1.290 dated Jun. 27, 2016 in U.S. Appl. No. 14/689,945. (11 pages).

(56)

References Cited

OTHER PUBLICATIONS

Third-Party Submission under 37 CFR 1.290 mailed on Jun. 10, 2016 in U.S. Appl. No. 14/689,945. (9 pages).

Chewy Casper Memory Foam Dog Bed Aug. 28, 2017 [site visited Jan. 23, 2018] Available from Internet URL: <<https://www.chewy.com/casper-memory-foam-dog-bed-medium/dp/155149>>- (7 pages).

Groupon Water-Resistant Orthopedic Foam Pet Crate Mats, announced 2018 [online], [site visited Jan. 22, 2018] Available from Internet URL: <<https://www.groupon.com/latest-deals/gg-waterresistant-orthopedic-fo- am-pet-crate-mats>>. (2 pages).

Unboxing and Setting Up a Casper Dog Bed, announced Sep. 14, 2016 [online], [site visited Jan. 23, 2018] Available from Internet URL: <<https://www.youtube.com/watch?v=fAEKTatzCTA>> at approximately 0:48. (1 page).

The Casper Dog Mattress In-depth Review Demo, announced Feb. 15, 2017 [online], [site visited Jan. 23, 2018] Available from Internet URL: <https://www.youtube.com/watch?v=jRqVxs_M35g> at approximately 2:39. (1 page).

EZ Wash Fleece Lounger Poly-Filled Dog Bed, [site visited Jan. 23, 2018] Available from Internet URL: <<https://www.wayfair.com/pet/pdp/3-dog-pet-supply-ez-wash-fleeceloung-er-poly-filled-dog-bed-dpsp1004.html?piid=18825537>>. (3 pages).

Luca Crate Cuddler, announced Jul. 15, 2016 [online], [site visited Jan. 23, 2018] Available from Internet URL: <<https://www.youtube.com/watch?v=4HeVQP2Z86E>> at approximately 0:05. (1 page).

AmazonBasics Padded Pet Bolster Bed, accessed Sep. 16, 2016. (https://www.amazon.com/AmazonBasics-Padded-Pet-Bolster-Bed/dp/B00QHC06UO-?ie=UTF8&keywords=dog%20bed&qid=1459134598&ref=sr_1_11&refinements=p_n_fe-ature_keywords_two_browse-bin%3A8002501011%7C8002502011%7C8002503011&s=pet--supplies&sr=1-11) (6 pages).

PetCo Sweet Dreams Rectangular Bolster Dog Bed, accessed Sep. 16, 2016 (<http://www.petco.com/shop/en/petcostore/dog/dog-beds-and-bedding/dog-bed- s/sweet-dreams-rectangular-bolster-dog-bed>) (2 pages).

Round Orvis Dog's Nest, accessed Sep. 16, 2016, (<http://www.orvis.com/p/round-orvis-dogs-nest/1h0l>) (2 pages).

Frontgate Huggy Nest Pet Bed, accessed Sep. 16, 2016 (<http://www.frontgate.com/huggy-nest-pet-bed/pet-products/pet-bedsblankets-throws/bolster-pet-beds/802099>), (2 pages).

Petsmart K&H Classy Lounger Pet Bed, accessed Sep. 16, 2016. (http://www.petsmart.com/dog/ beds/k-h-classy-lounger-petbed-zid36-26968/- cat-36-catid-100063?var_id=36-26968), (1 page).

Browsers Super Loft Rectangle Avalon, accessed Sep. 16, 2016 (<http://www.browsers.com/pet-beds/super-loft-rectangle/superloft-rectangle-avalon.html>) (1 page).

Petco K&H Deluxe Ortho Bolster Sleeper Dog Bed, accessed Sep. 16, 2016 (<http://www.petco.com/shop/en/petcostore/dog/dog-beds-and-bedding/dog-bed- s/kandh-deluxe-ortho-bolster-sleeper-dog-bed-in-eggplant-withpaw-prints#>) (2 pages).

L.L.Bean Premium Denim Dog Bed Set, Rectangular, accessed Sep. 16, 2016 (<http://www.llbean.com/llb/shop/44560?feat=507408-GN2&page=premium-denim-dog-bed-set-rectangular>) (3 pages).

Amazon Stainmaster Comfy Couch Pet Bed, accessed Sep. 16, 2016 (https://www.amazon.com/STAINMASTER-Comfy-Couch-Large-Olive/dp/B00LQZ18XQ?ie=UTF8&keywords=dog%20bed&qid=1459135646&ref=sr_1_426&refinements=p_n_feature_keywords_two_browse-bin%3A8002501011%7C8002502011%7C8002503011&s=pet-supplies&sr=1^26) (8 pages).

Jax & Bones Donut Bed, accessed Sep. 16, 2016 (<https://www.jaxandbones.com/products/bedding/donut/licorice-donut-bed>) (3 pages).

Petsmart Carolina Pet Orthopedic Comfort Couch, accessed Sep. 16, 2016. http://www.petsmart.com/dog/beds/carolina-petorthopedic-comfort-couch-personalized-pet-bed-zid36-5591/cat-36-catid-100063?var_id=36/5591) (2 pages).

Lux Premium Dog Bed, accessed Sep. 16, 2016 (<http://godogbeds.com/product/sample-product-2/>) (1 page).

Frontgate Urban Denim Lounger Pet Bed, accessed Sep. 16, 2016 (<http://www.frontgate.com/urban-denim-lounger-pet-bed/pet-products/pet-beds-blankets-throws/bolster-beds/451775>) (3 pages).

Browsers Donut Bed, accessed Sep. 16, 2016 (<http://www.browsers.com/pet-beds/donut-beds/donut-bed-nickel-weave.html>) (1 page).

L.L.Bean Premium Dog Couch, accessed Sep. 16, 2016 (<http://www.llbean.com/llb/shop/66388?feat=507408-GN2&page=premium-dog-couch>) (3 pages).

Jax & Bones Sleeper Bed, accessed Sep. 16, 2016 (<https://www.jaxandbones.com/products/bedding/sleeper/tweed-cremesleeper-bed>), (2 pages).

Orvis ToughChew Dog Bed with Polyester Fill, accessed Sep. 16, 2016 (<http://www.orvis.com/p/toughchew-rectangle-dogbed/0h4c>) (2 pages).

Orvis Wraparound Fleece Dog Bed with Memory Foam, accessed Sep. 16, 2016 (<http://www.orvis.com/p/wraparound-fleecedog-bed/2es4>) (2 pages).

Orvis Deep Dish Dog Bed with Memory Foam, accessed Sep. 16, 2016 (<http://www.orvis.com/p/deep-dish-dog-bed/2c9b>) (2 pages).

Browsers Urban Lounger, accessed Sep. 16, 2016 (<http://www.browsers.com/pet-beds/urban-lounger/urban-loungereverest.html->) (1 page).

Doca pet Zz Bed, accessed Sep. 16, 2016 (<https://www.docapet.com/product/zz-bed/>) (2 pages).

Jax & Bones Memory Foam Bed, accessed Sep. 16, 2016 (<https://www.jaxandbones.com/products/bedding/memory-foam/juniper-memory-foam-pillow>) (2 pages).

Orvis Tempur-Pedic.RTM. Deep Dish Dog Bed, accessed Sep. 16, 2016. (<http://www.orvis.com/p/orvis-tempur-pedic-deepdish-dog-bed/2gr6>) (2 pages).

World of Angus Dog Bed, accessed Sep. 16, 2016, (<http://worldofangus.com/collections/the-dog-bed-collection/products/thedog-bed>) (4 pages).

Howlspot My Territory, accessed Sep. 16, 2016. (http://www.howlspot.com/product/detail.html?product_no=30&cate_no=1&displ-ay_group=2) (9 pages).

Love Thy Beast Flip Stitch Bed, accessed Sep. 16, 2016 (<http://www.lovethebeast.com/collections/sleep/products/flip-stitchbed-grey-blacblack>) (7 pages).

Shinola Dolostone Dog Bed, accessed Sep. 16, 2016 (<http://www.shinola.com/shop/pet-accessories/dolostone-dogbed.html#color=Ashen%220Gray>) (2 pages).

Ruffler Urban Sprawl, accessed Sep. 16, 2016 (<http://www.ruffwear.com/Urban-Sprawl-Plush-Dog-Bed?sc=2&category=17>) (2 pages).

Marlon Pilvi Cushion http://en.marlonshop.com/product/Pilvi-Cushion/50/?cate_no=1&display_group=2), accessed Sep. 16, 2016 (13 pages).

Downlite Downlite Dream Naturally 300 Thread Count Wool Down Comforter, accessed Jul. 13, 2017 (www.sears.com/downlite-dream-naturally-300-thread-countwool/)-

0000000000000020571000000000000362141P?plpSellerId=Overstock.com&prdNo=12&blockNo=12&blockType=G 12) (4 pages).

Organic Wool Toddler Pillow, All Natural & 100% GOTS Certified Pure Organic, Wool 'Pearls' accessed Jul. 13, 2017 (<https://www.amazon.com/Organic-Certified-Antibacterial-Hypoallergenic-Toddlers/dp/B00P6SKT7K>) (2 pages).

700 Fill Power Temperature Regulating Down Comforter accessed Jul. 13, 2017 (<https://www.cuddledown.com/itemdy00.aspx?ID=70,3276&T1=Z1087+100+10+01>) (12 pages).

Hobbs WL90 Count Batting Heirloom Wool, 90"x108" accessed Jul. 13, 2017 (https://www.amazon.com/Hobbs-WL90-Count-Batting-Heirloom/dp/B0063G013G/ref=sr_1_9?e=UTF8&qid=1497374885&sr=8-9&keywords=wool+batting) (1 page).

10" Sewn-Thru Boxstitch PrimaSera Down Alternative Duvet Insert, Tc 230 accessed Jul. 13, 2017 (<http://hotelsuppliesdepot.com/10-Sewn-Thm-Boxstitch-PrimaSera-Down-Alternative-DUVET-INSERTTc-230-j 409. html>) (1 page).

Badenia 3649730149 Bettcomfort Steppbett, 4-Jahreszeiten, Micro Thermo, 155x220 cm, weiB accessed Jul. 13, 2017 (https://www.amazon.de/Badenia-Bettcomfort-03649730149/-Jahreszeiten-Steppbett-Thermo/dp/B0026113FN0/ef=sr_1_5?kitchen&ie=UTF8&qid=1460493398&sr=1-5) (1 page).

Office Action and Search Report for China Patent Application No. 201580019495.5 (dated May 3, 2018) (12 pages).

How to set up your dog mattress, no date available (1 page).

Amazon Basics Padded Pet Bolster Bed (https://www.amazon.com/AmazonBasics-Padded-Pet-Bolster-Bed/dp/B00QHC06UO-?ie=UTF8&keywords=dog%20bed&qid=1459134598&ref=sr_1_11&refinements=

(56)

References Cited

OTHER PUBLICATIONS

pn feature keywords two browse-bin%3A8002501011%7C8002502011%7C8002503011 &s=pet-supplies&sr=1 -11), accessed Sep. 16, 2016 (6 pages).

PetCo Sweet Dreams Rectangular Bolster Dog Bed [http://www.petco.com/shop/en/pet\(X\)store/dog/dog-beds-an/log-bed](http://www.petco.com/shop/en/pet(X)store/dog/dog-beds-an/log-bed), accessed Sep. 16, 2016 (2 pages).

Bowers Urban Lounger (<http://www.bowers.com/pet-beds/urban-lounger/urban-lounger-everest.html>), accessed Sep. 16, 2016 (1 page).

Howlpot My Territory (http://www.howlpot.com/product/detail.html?product_no=30&cate_no=1&display_group=2), accessed Sep. 16, 2016 (9 pages).

Ruffler Urban Sprawl <http://www.rufwear.com/Urban-Sprawl-Plush-Dog-Bed?sc=2&category=17>), accessed Sep. 16, 2016 (2 pages).

Extended European Search Report issued in EP18192998.5, dated Nov. 20, 2018, 8 pages.

Design Within Reach, Min Bed, http://www.dwr.com/bedroom-beds/min-bed/6348.html?lang=en_US (accessed May 23, 2018).

* cited by examiner

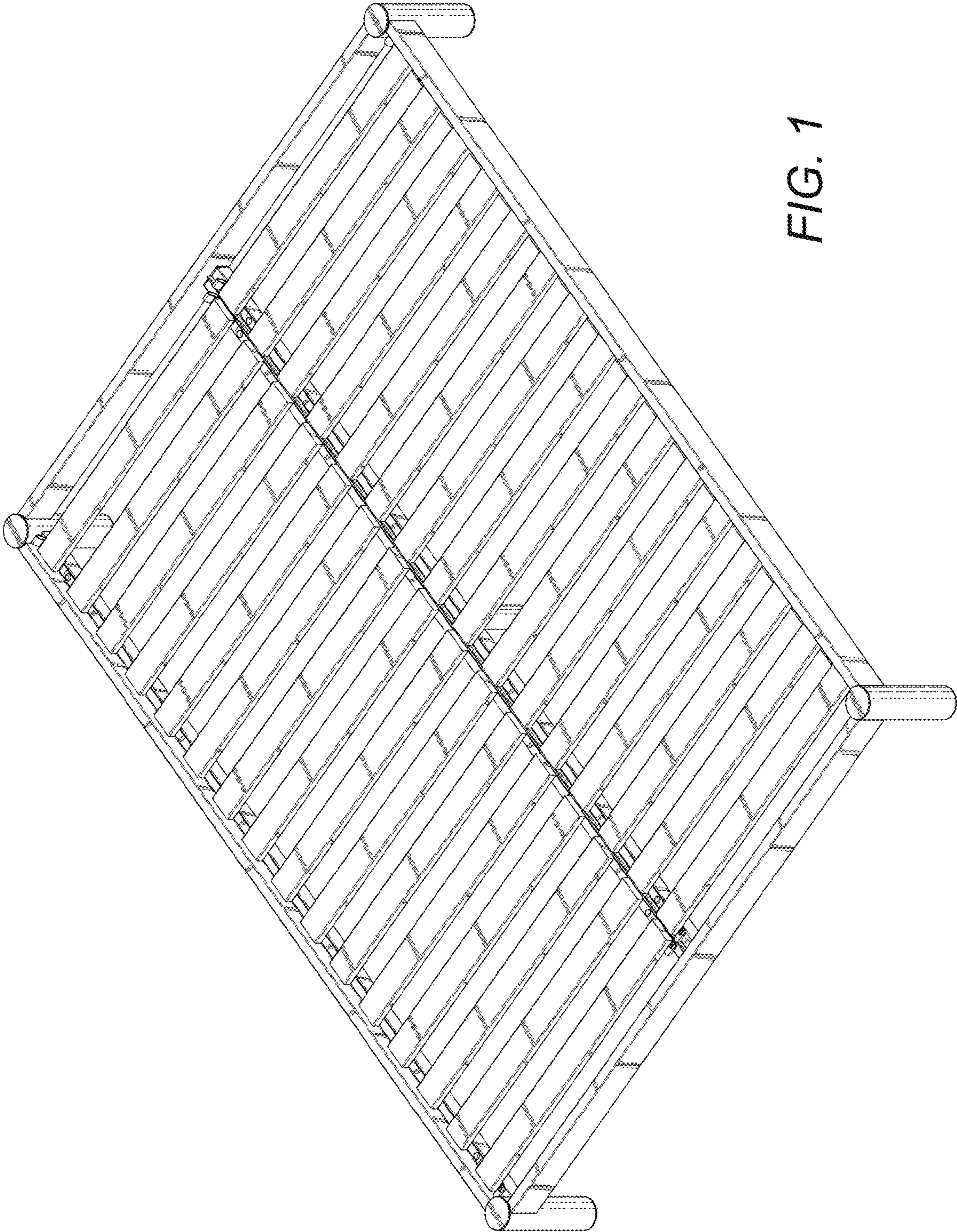


FIG. 1

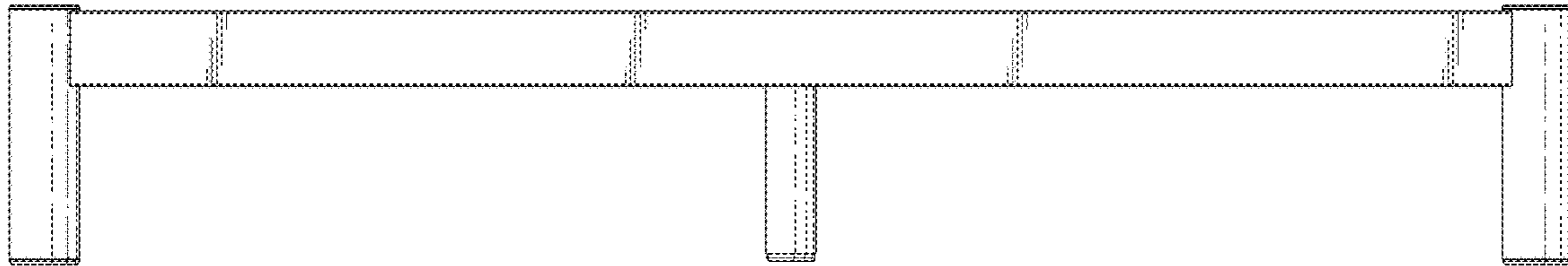


FIG. 2

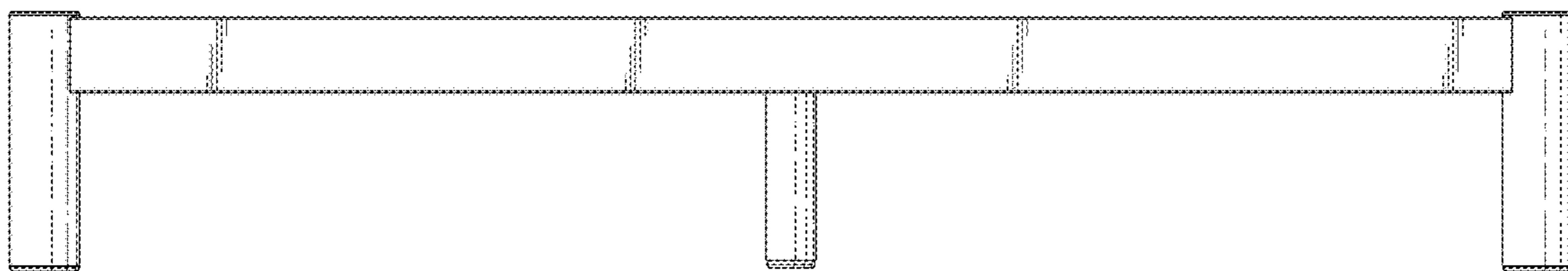


FIG. 3

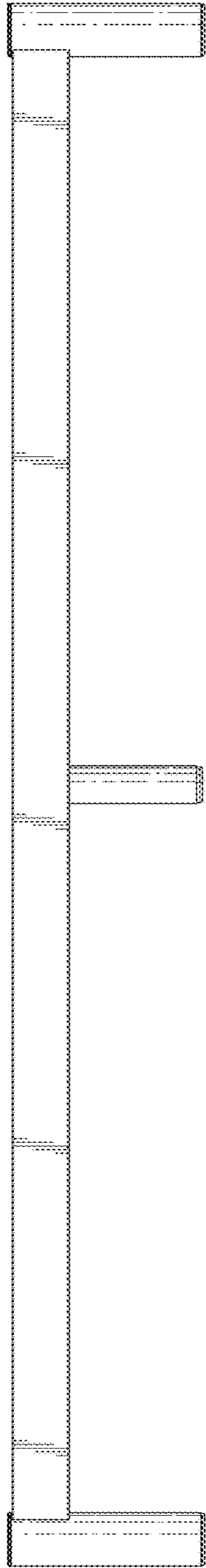


FIG. 4

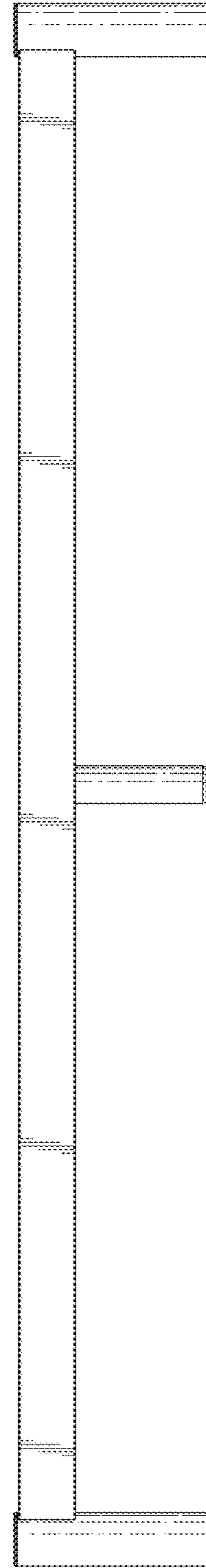


FIG. 5

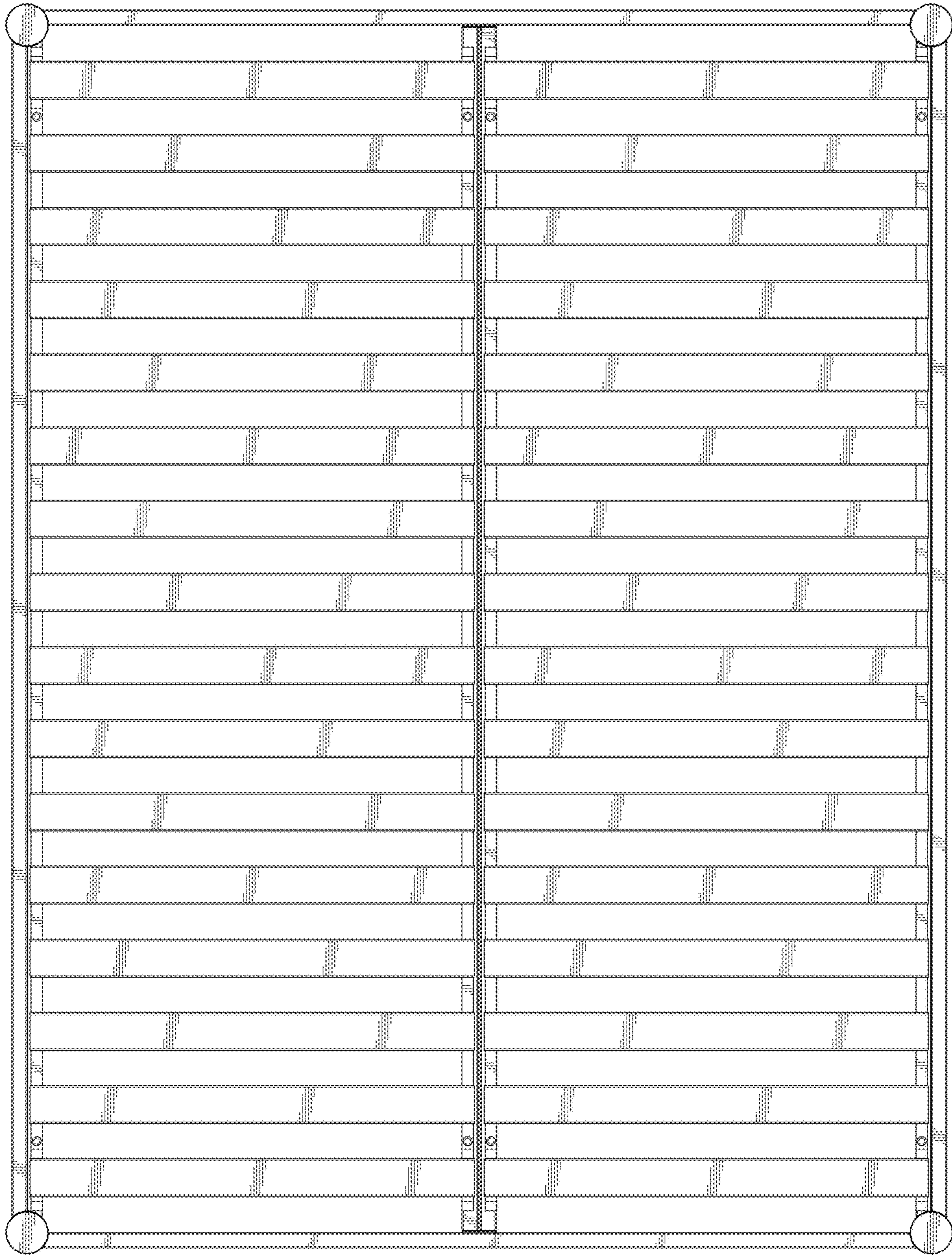


FIG. 6

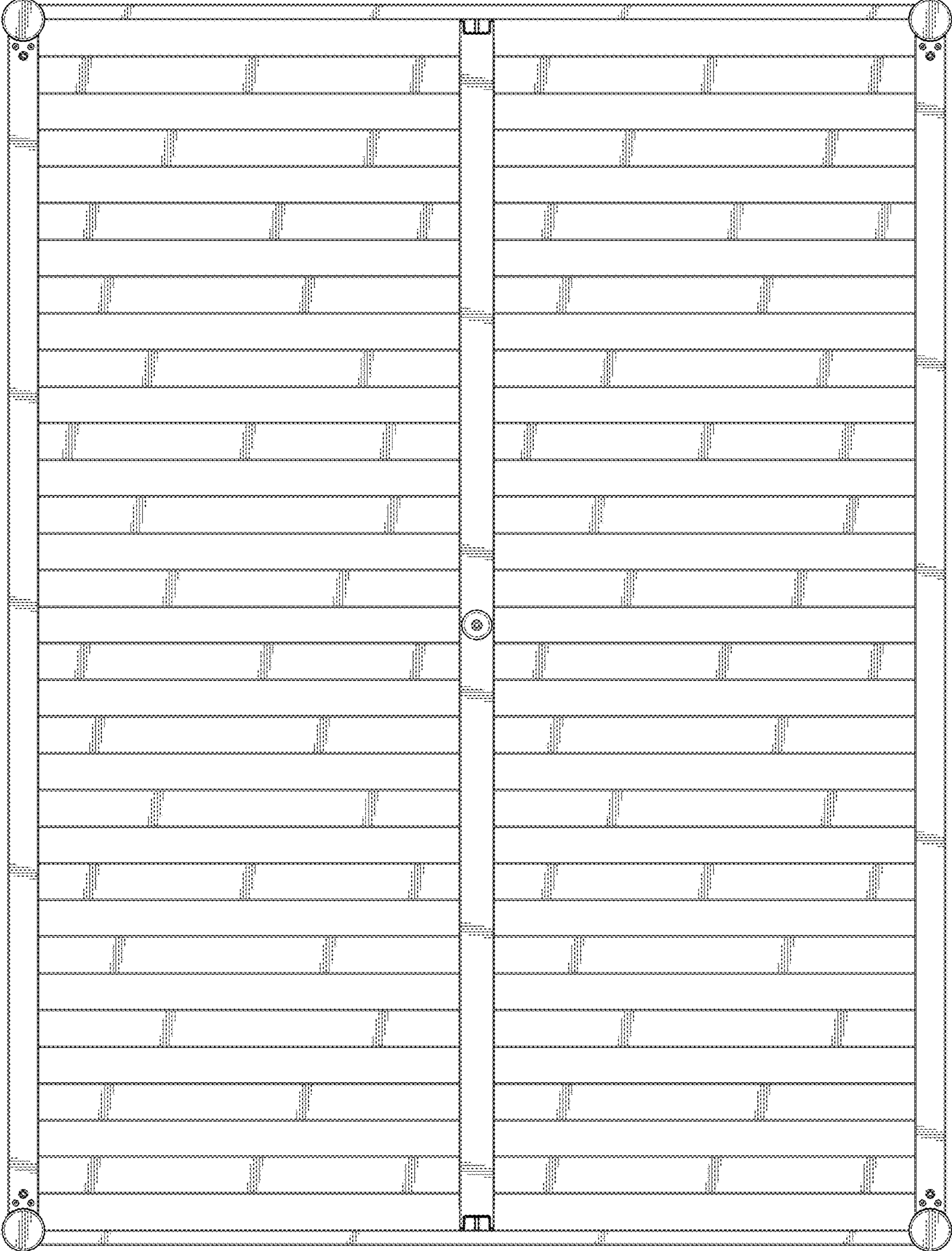


FIG. 7

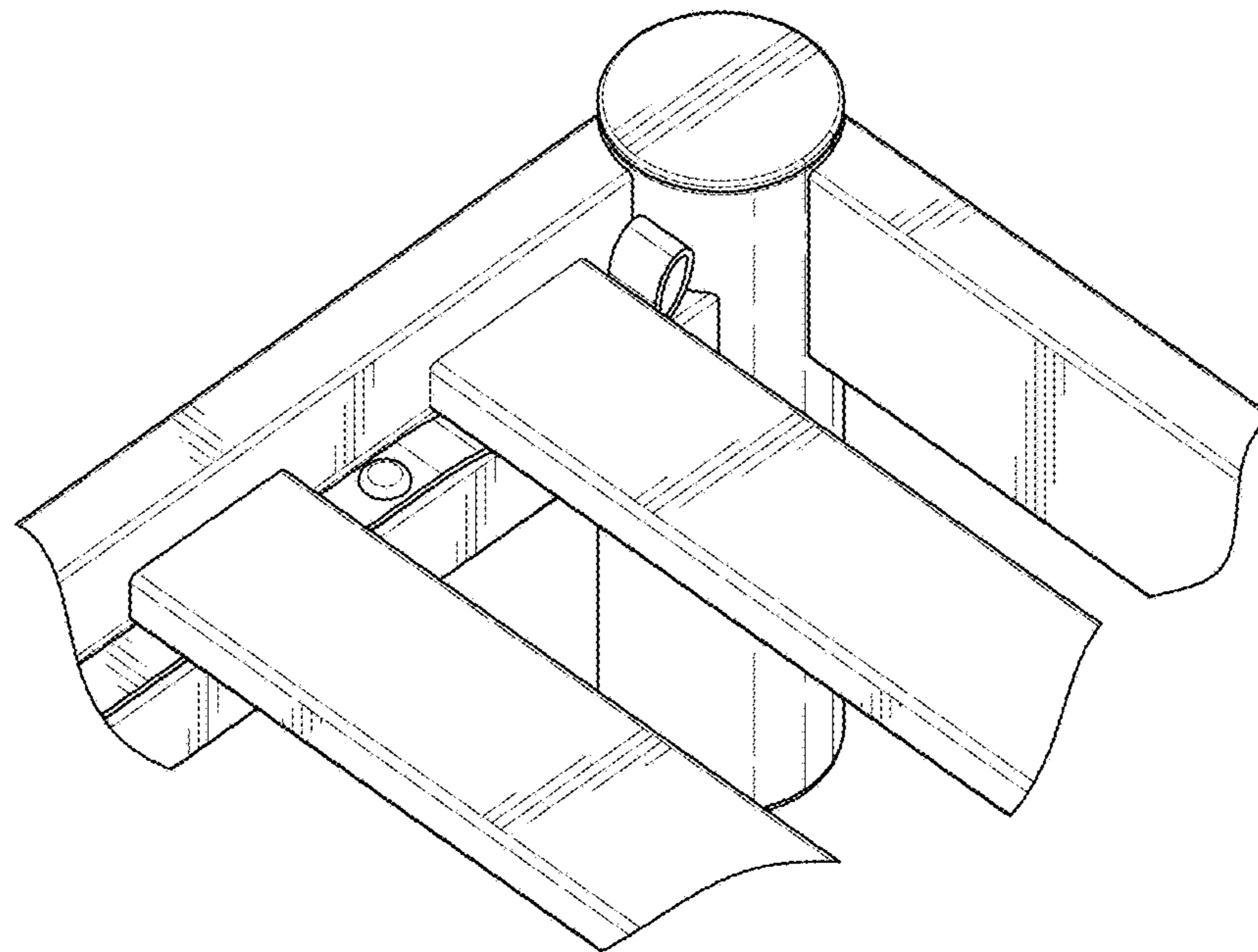


FIG. 8

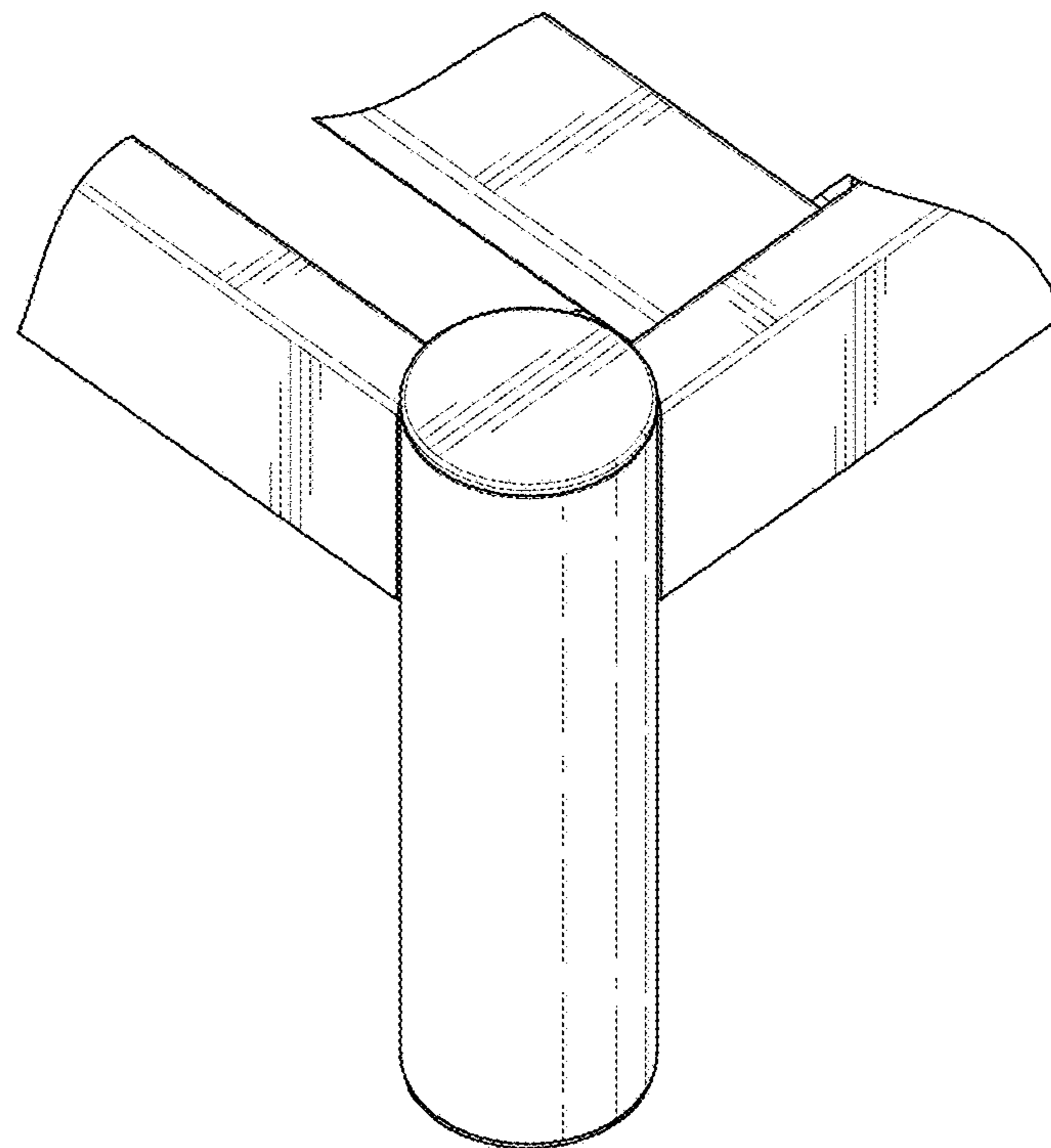


FIG. 9

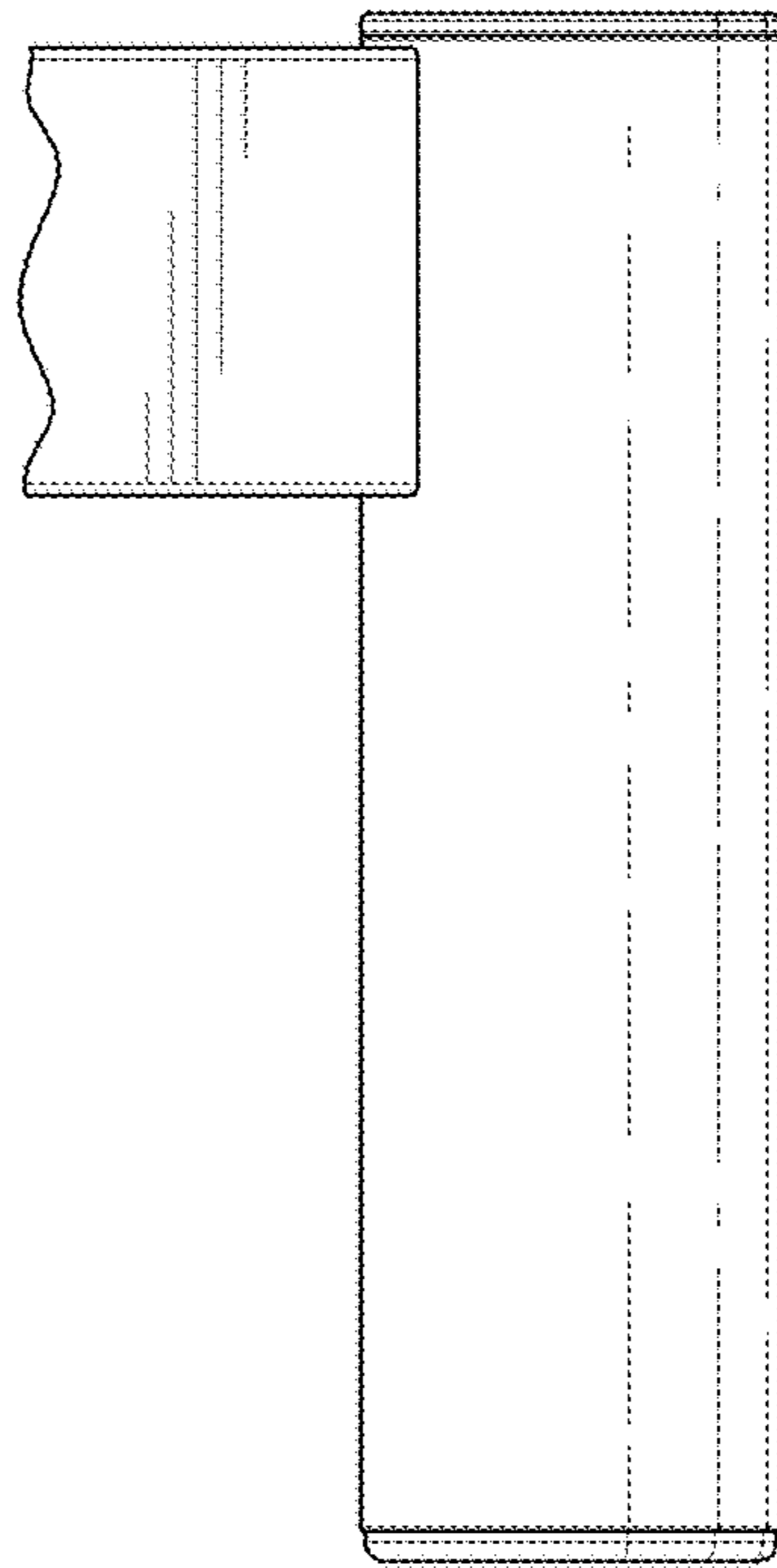


FIG. 10

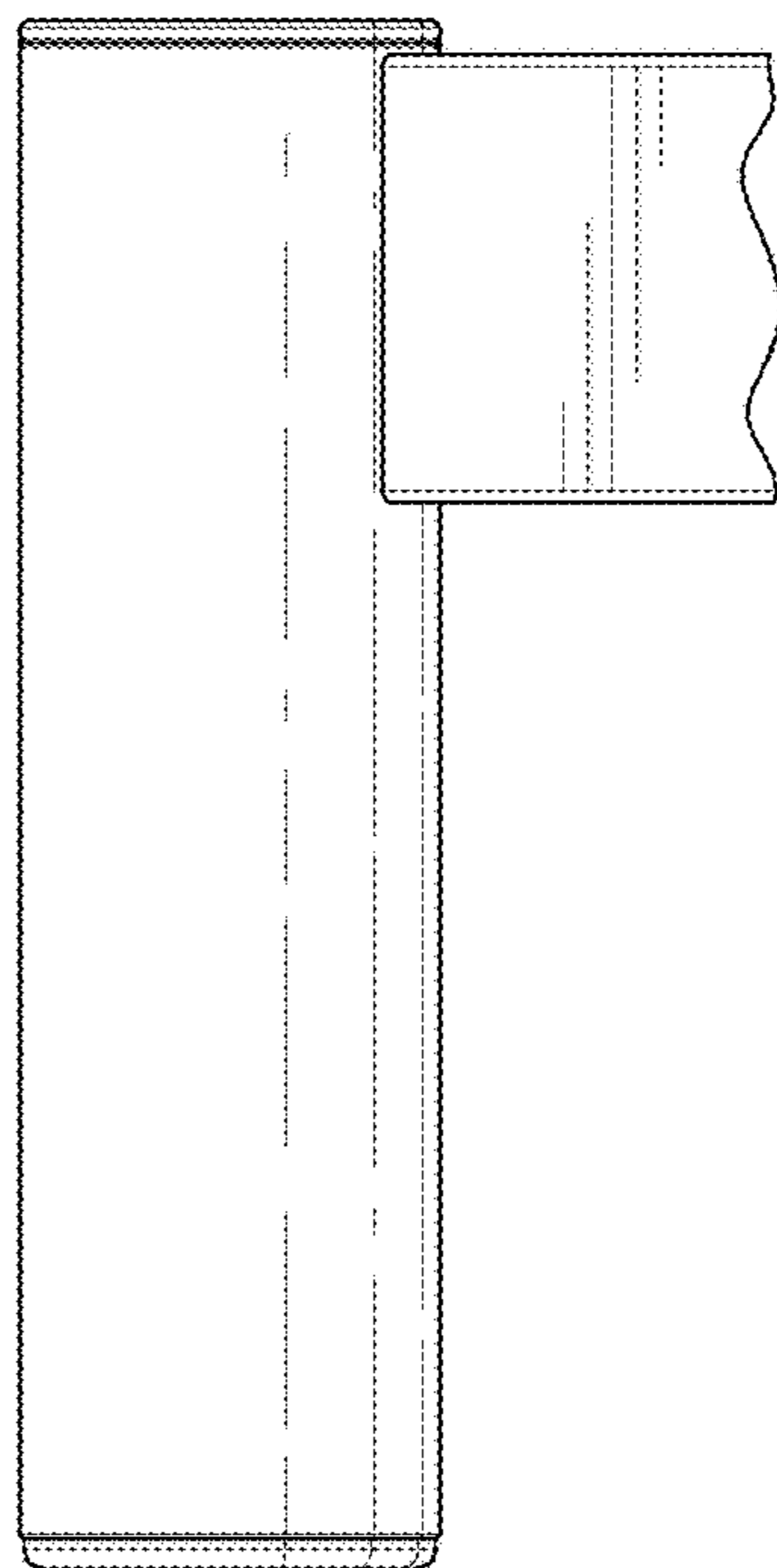


FIG. 11

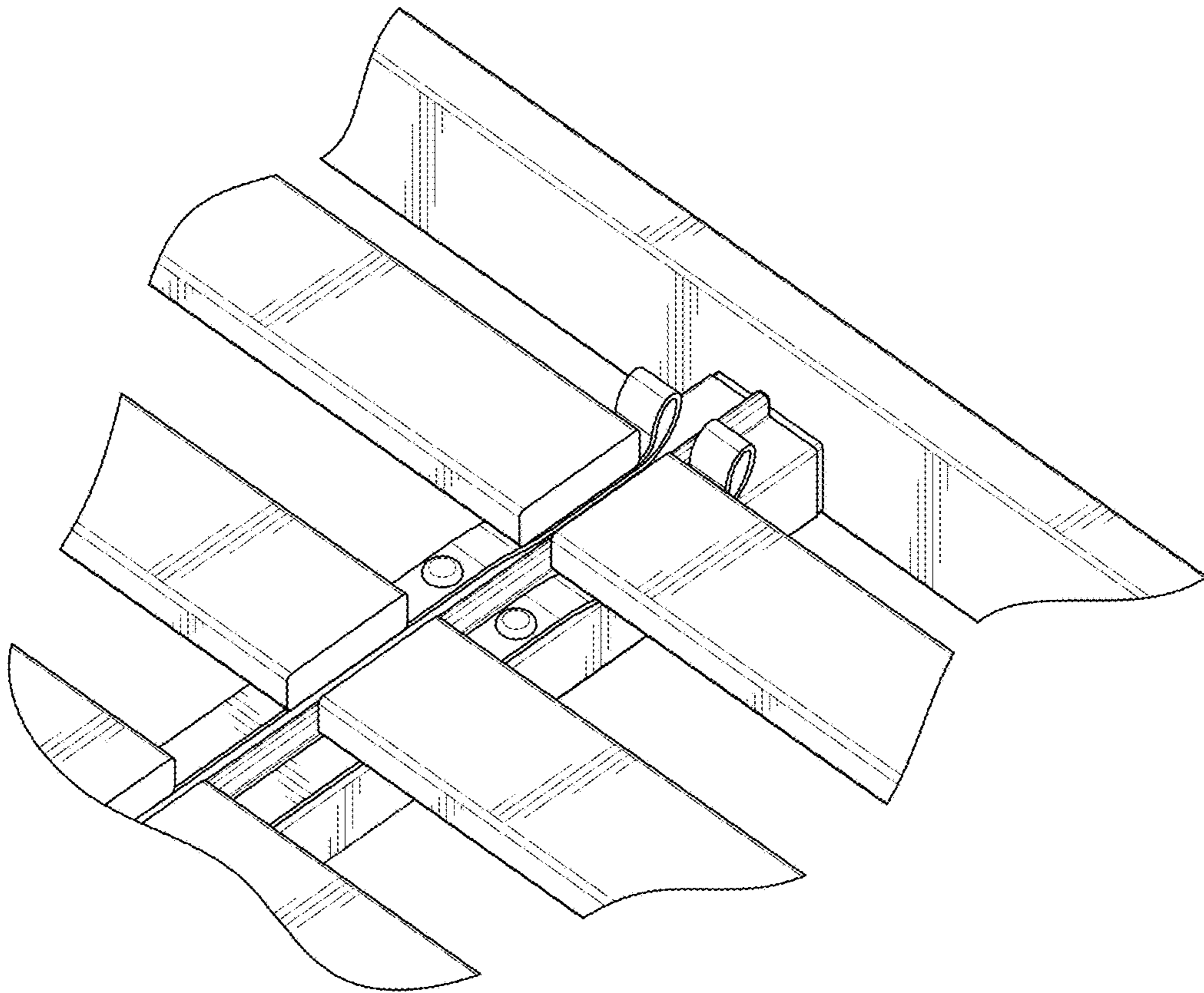


FIG. 12

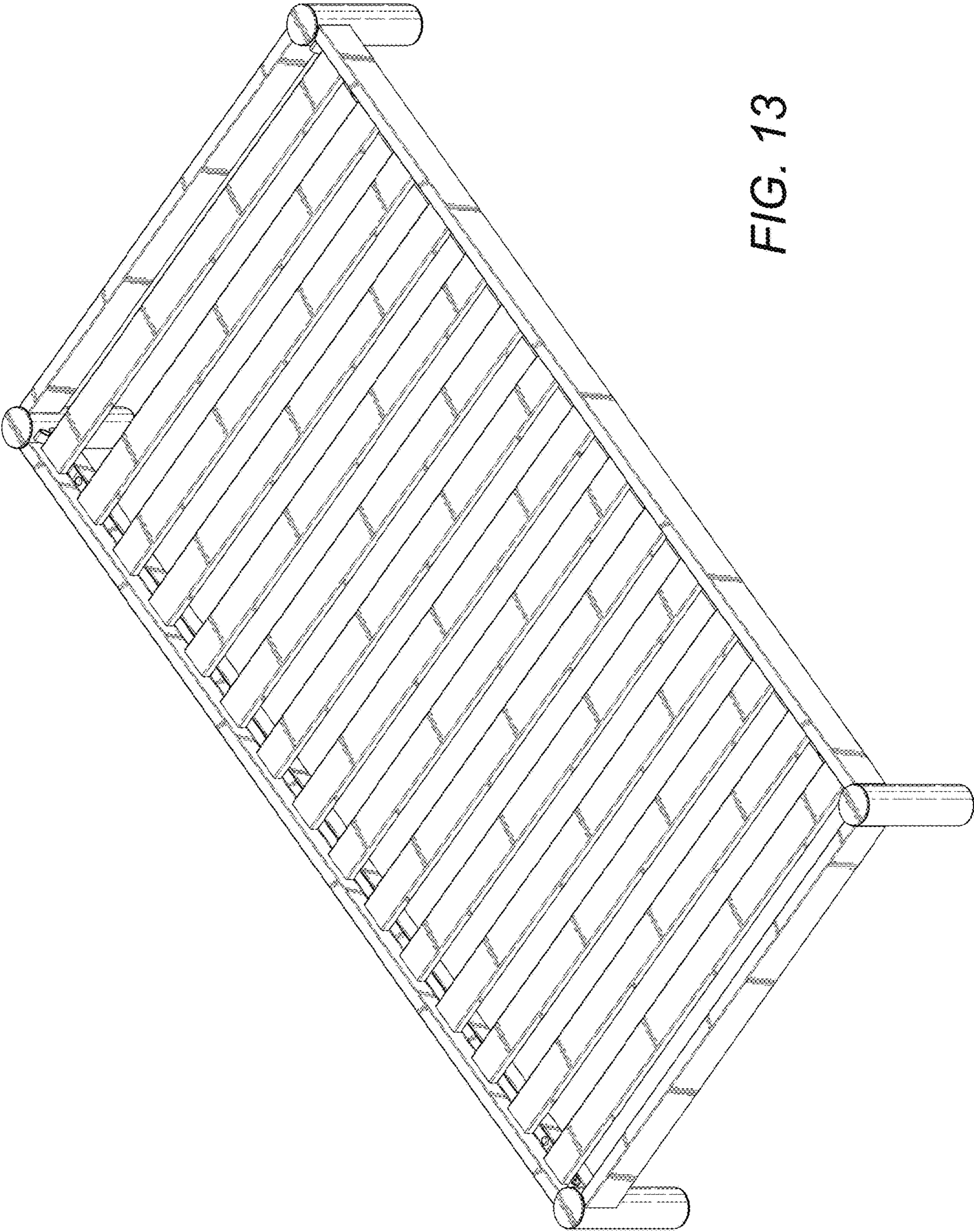


FIG. 13

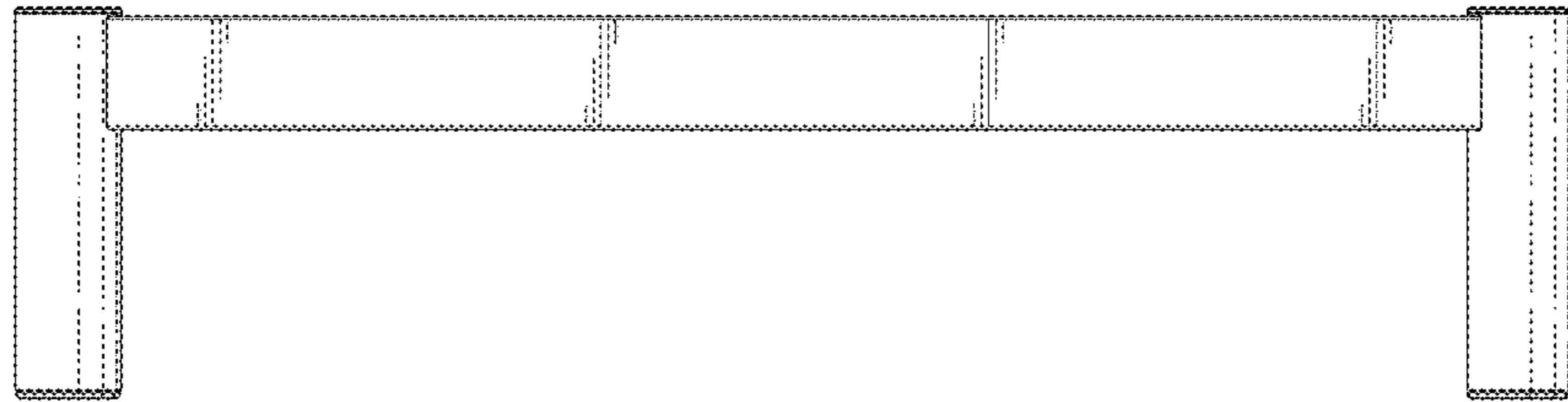


FIG. 14

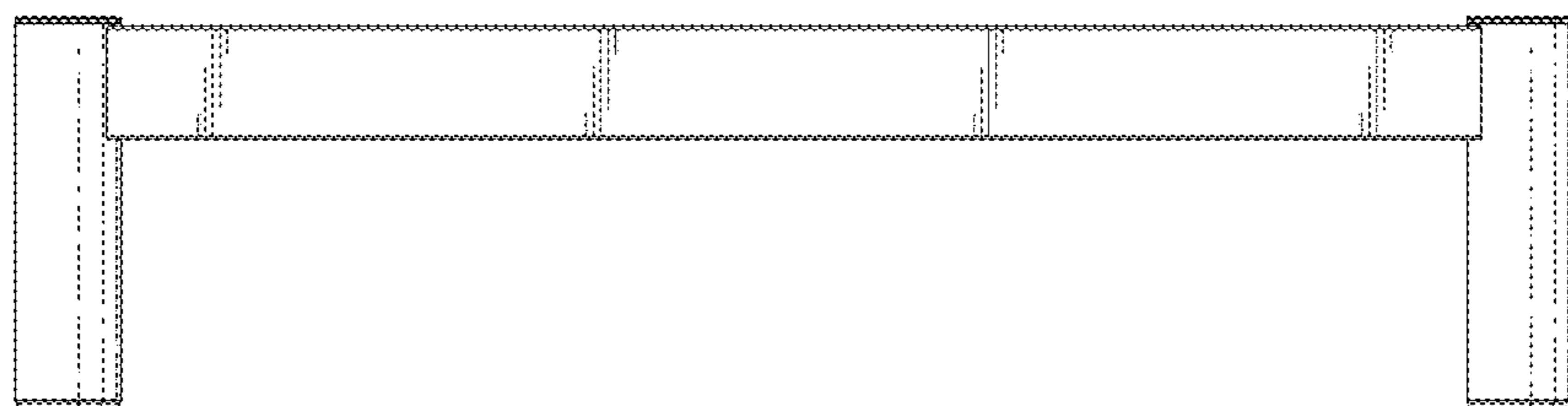


FIG. 15

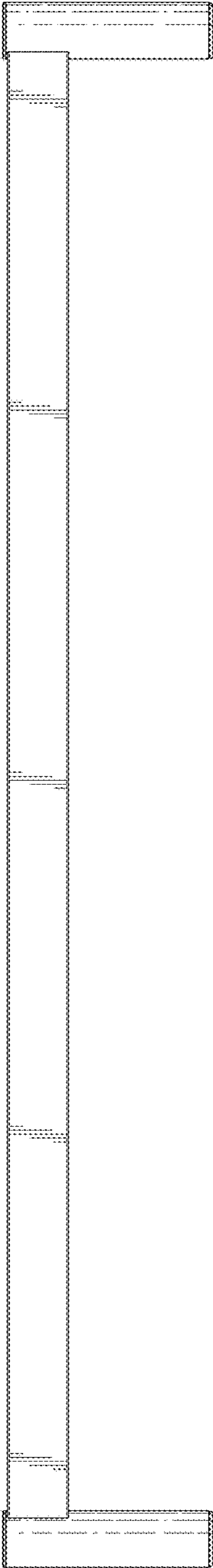


FIG. 16

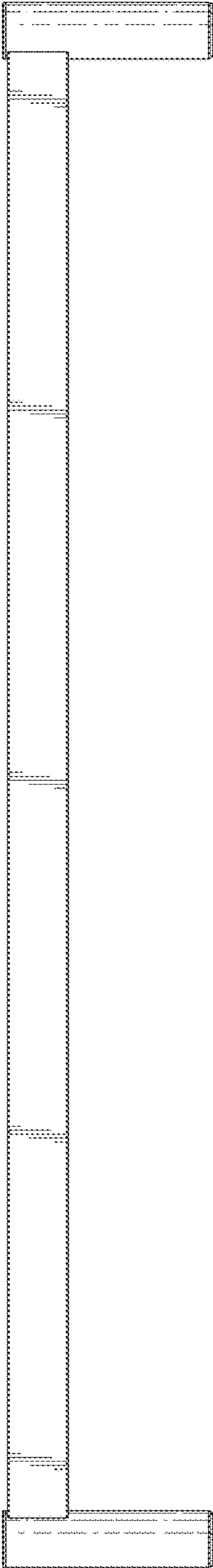


FIG. 17

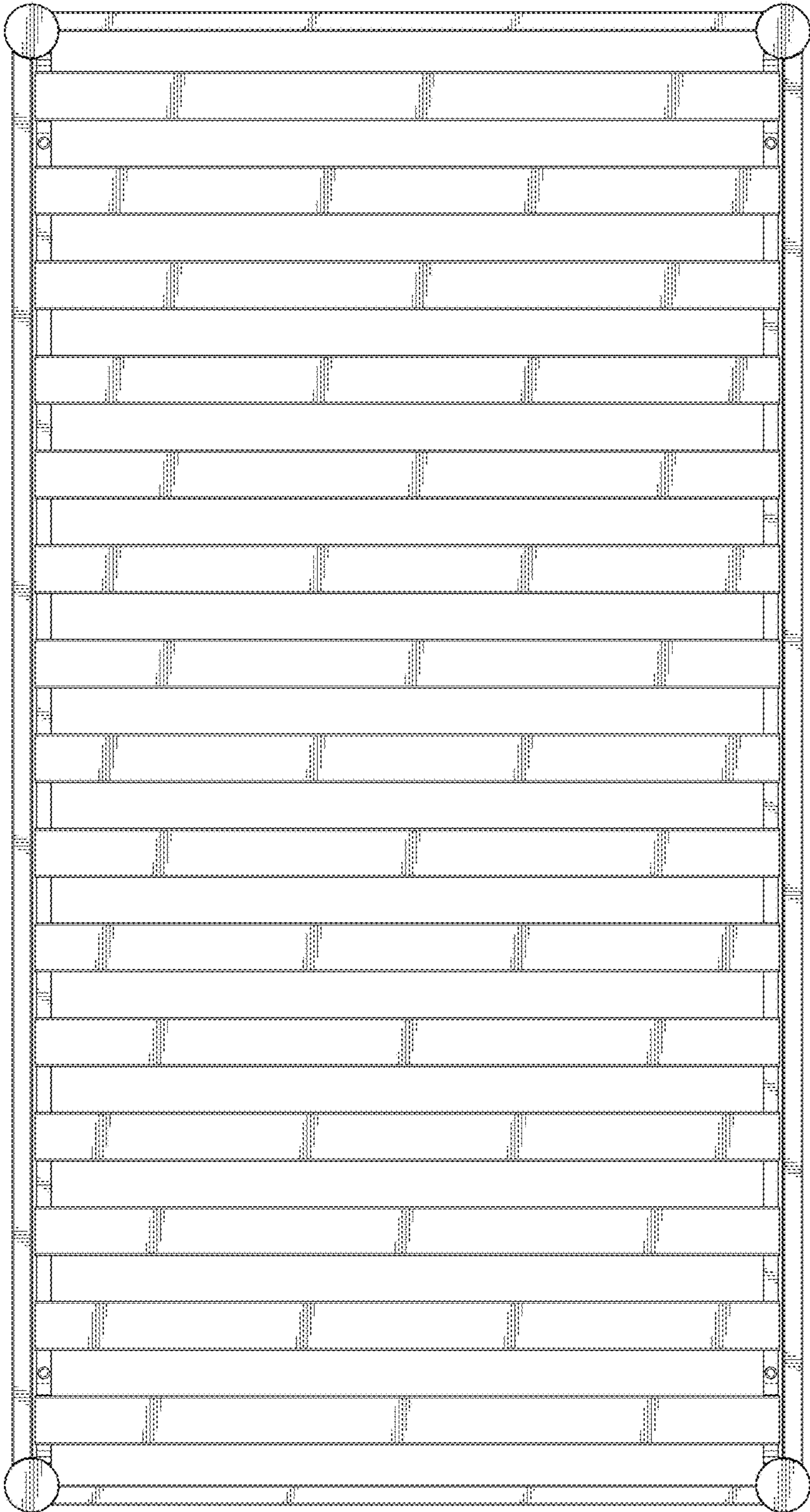


FIG. 18

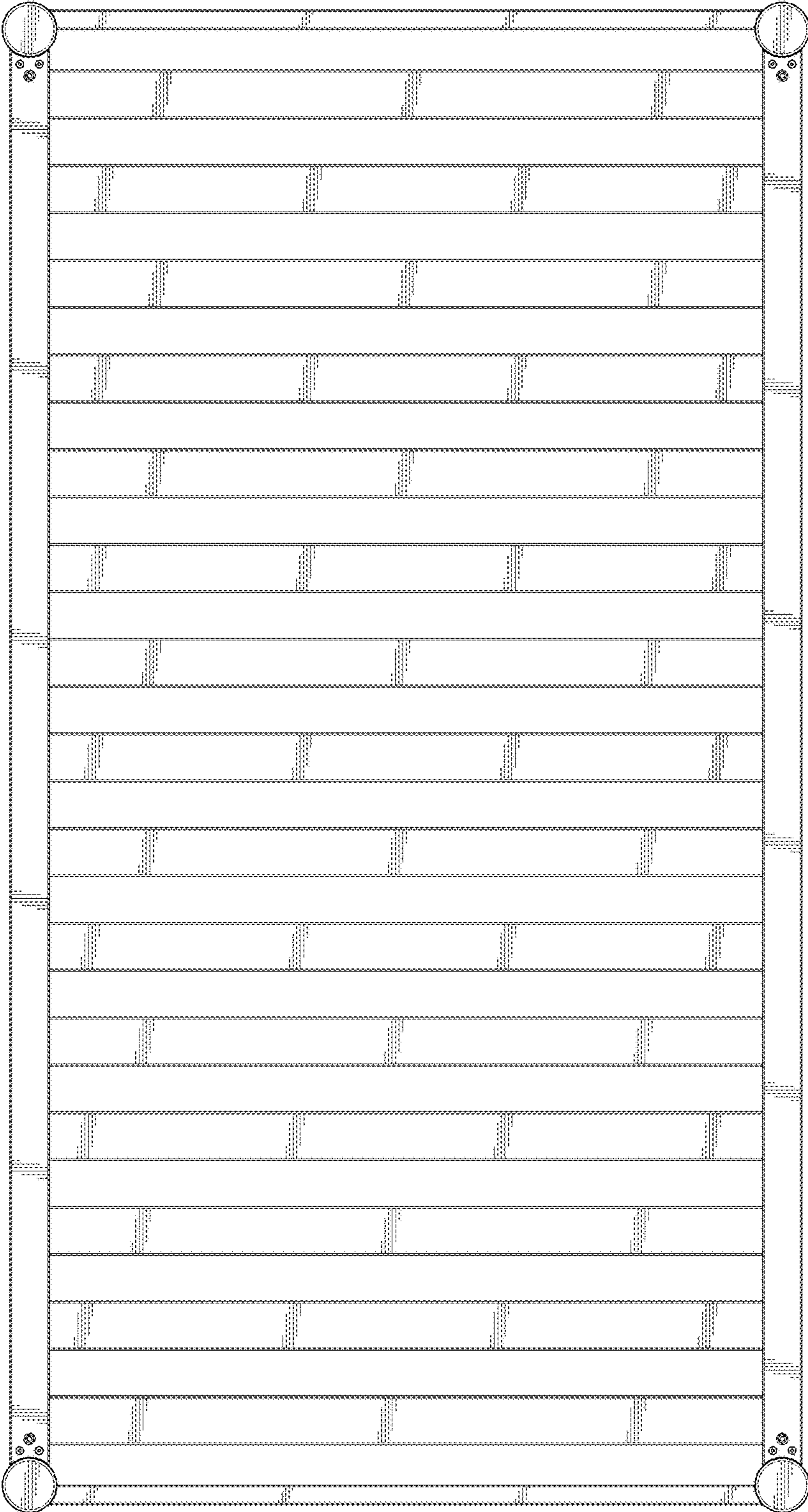


FIG. 19

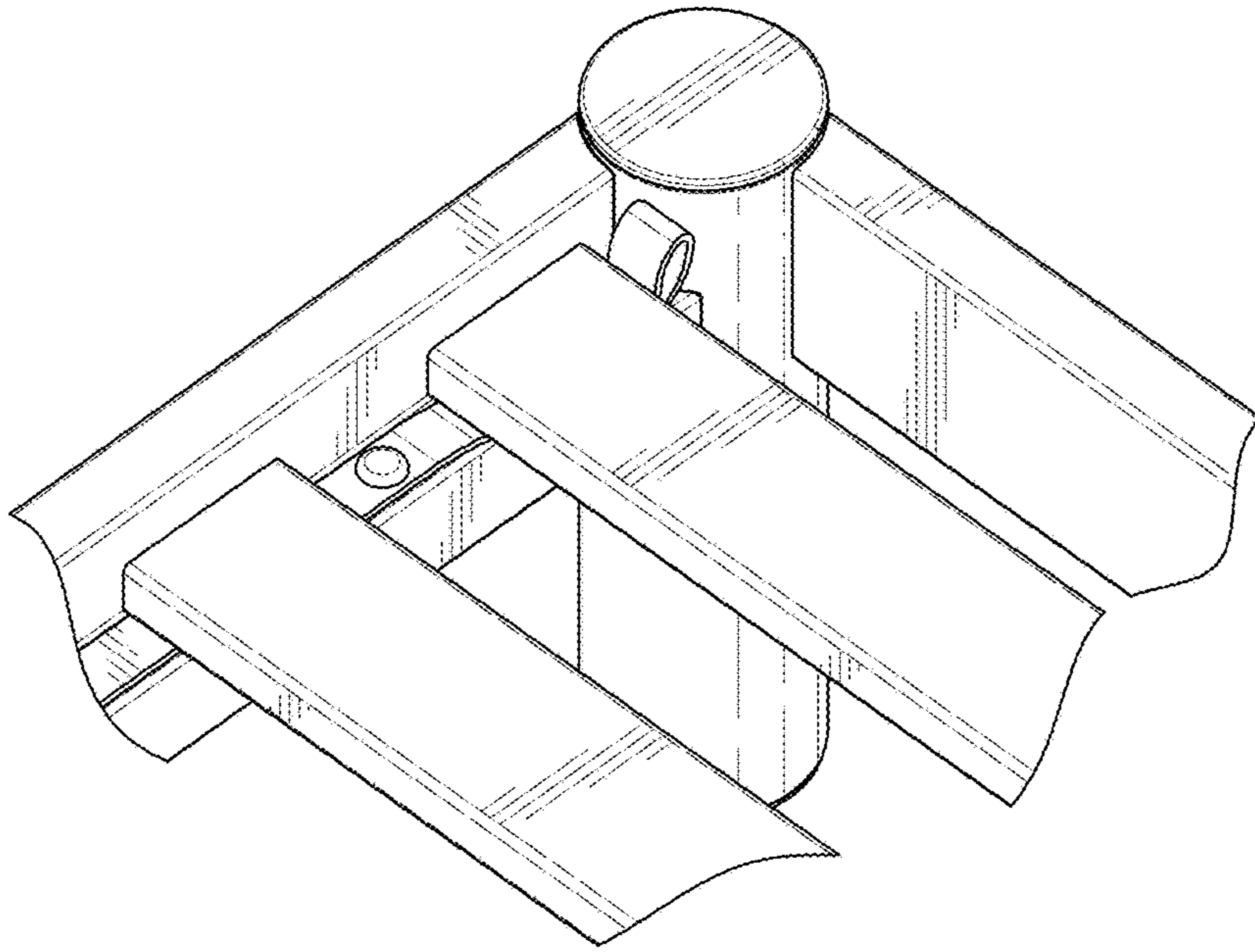


FIG. 20

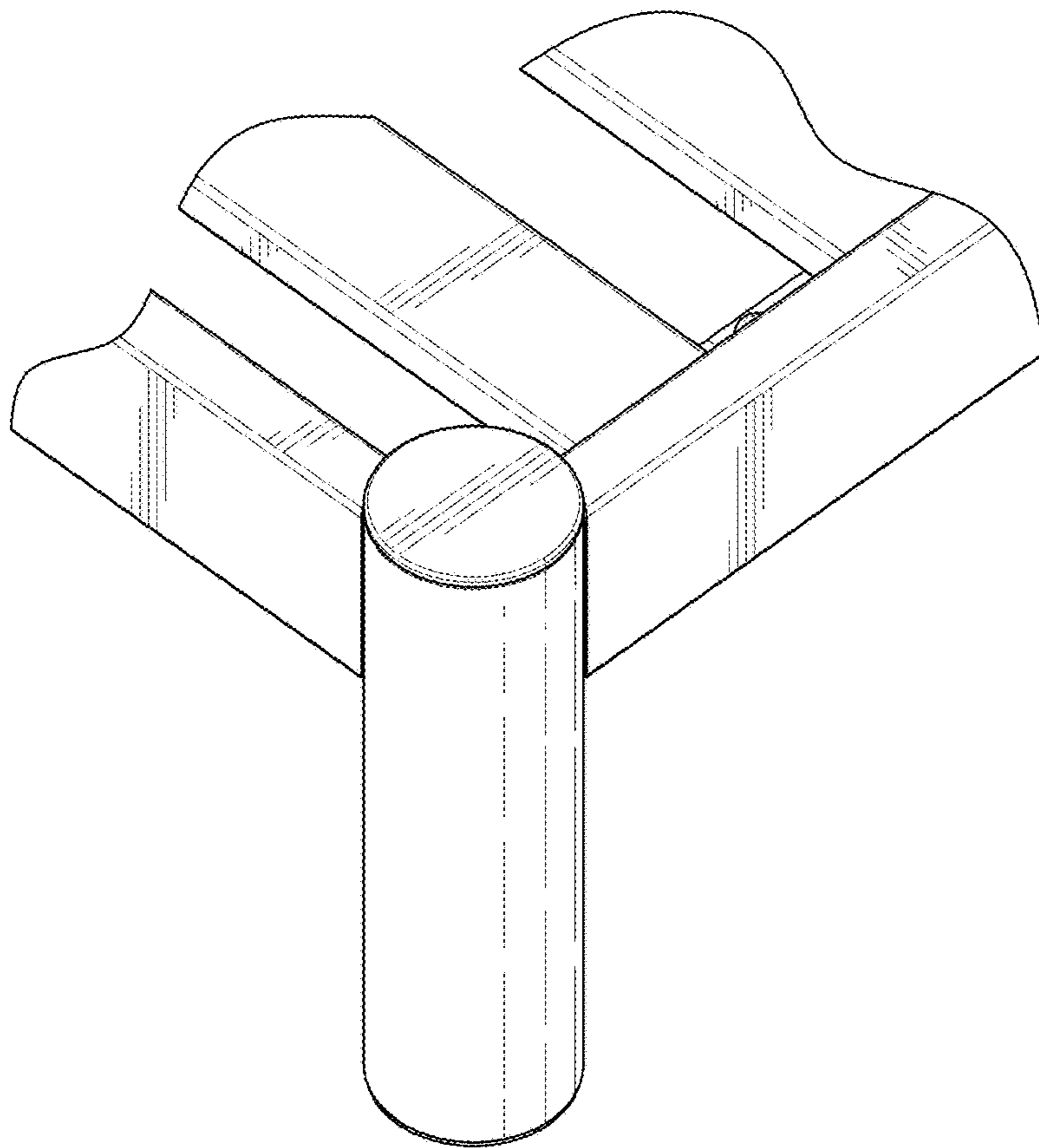


FIG. 21

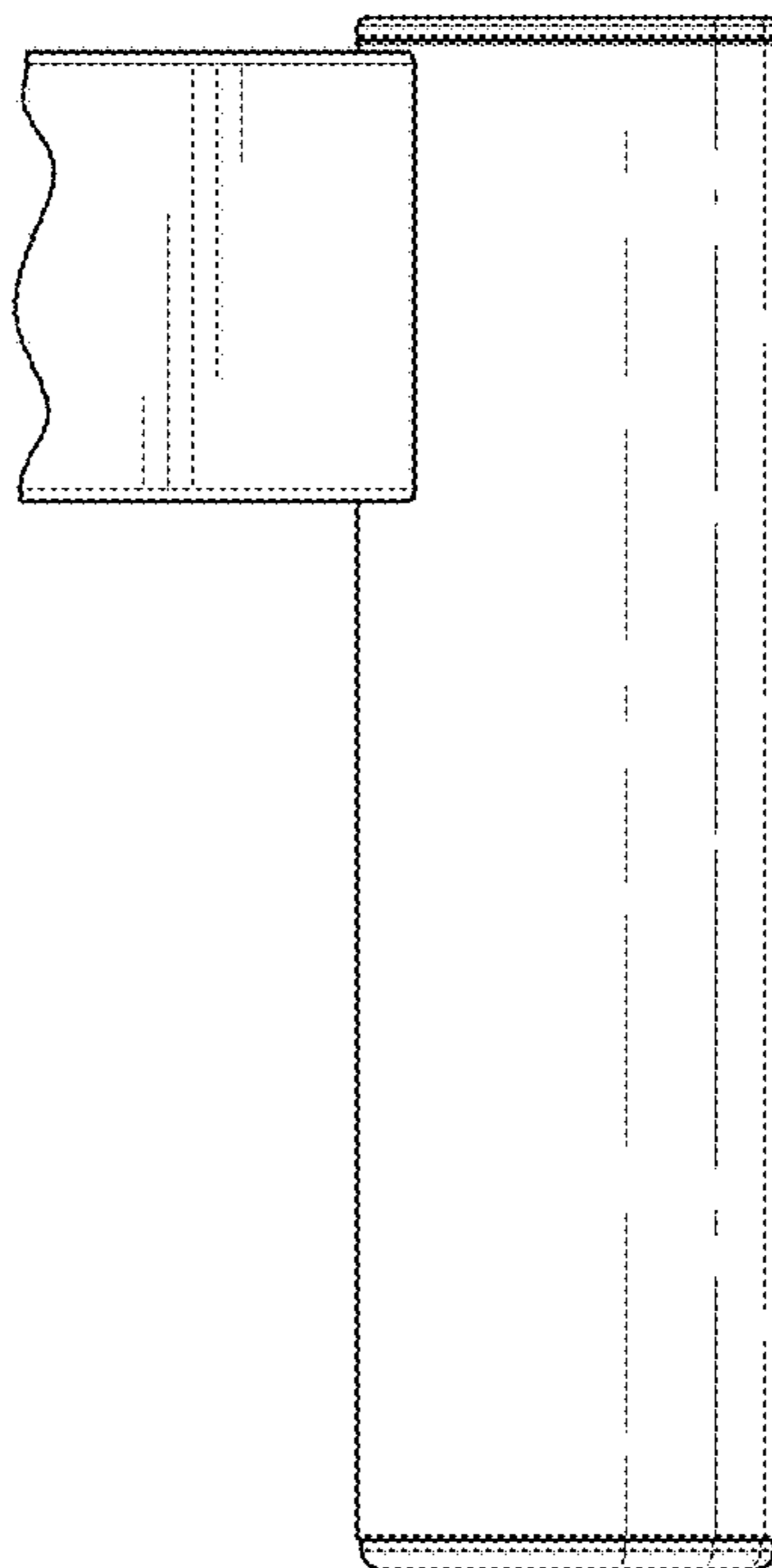


FIG. 22

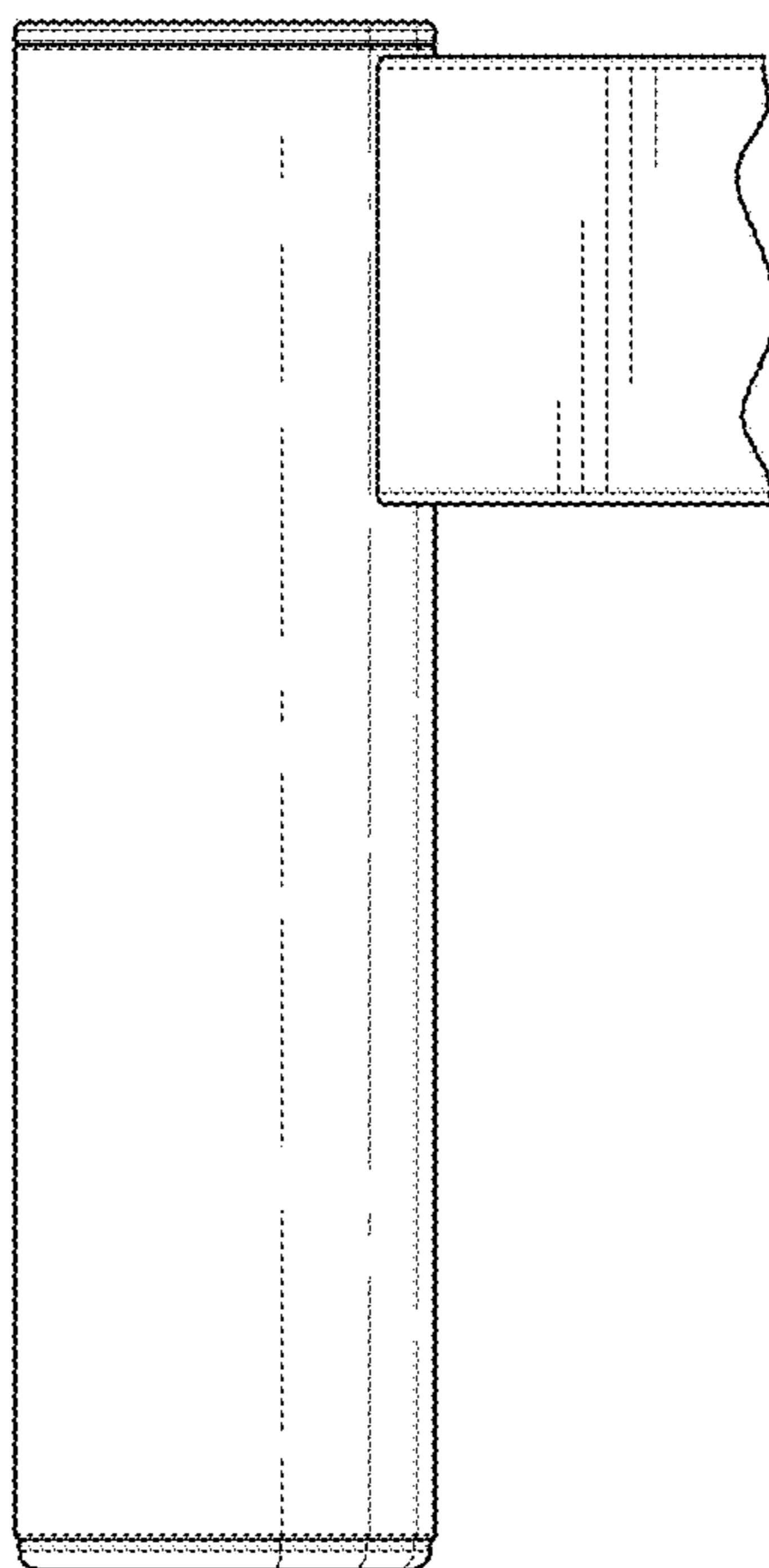


FIG. 23