



US00D862103S

(12) **United States Design Patent**  
**Hertzog et al.**

(10) **Patent No.:** **US D862,103 S**  
(45) **Date of Patent:** **\*\* Oct. 8, 2019**

(54) **CHAIR**

(71) Applicants: **Stephan Hertzog**, Lisbon (PT);  
**Flemming Busk**, Lisbon (PT)

(72) Inventors: **Stephan Hertzog**, Lisbon (PT);  
**Flemming Busk**, Lisbon (PT)

(\*\*) Term: **15 Years**

(21) Appl. No.: **29/607,215**

(22) Filed: **Jun. 12, 2017**

(51) **LOC (12) Cl.** ..... **06-01**

(52) **U.S. Cl.**  
USPC ..... **D6/376; D6/360; D6/379**

(58) **Field of Classification Search**  
USPC ..... **D6/334-336, 360, 370, 371, 373, 374,**  
**D6/375, 376, 379, 380, 716, 716.1, 716.2,**  
**D6/716.3, 716.4**

(Continued)

(56) **References Cited**

**U.S. PATENT DOCUMENTS**

2,658,563 A \* 11/1953 Nordmark ..... A47C 5/04  
297/451.1  
4,035,019 A \* 7/1977 Gabourie ..... A47C 5/04  
297/239

(Continued)

*Primary Examiner* — Mimosa De

(74) *Attorney, Agent, or Firm* — Lorelei G. Graham

(57) **CLAIM**

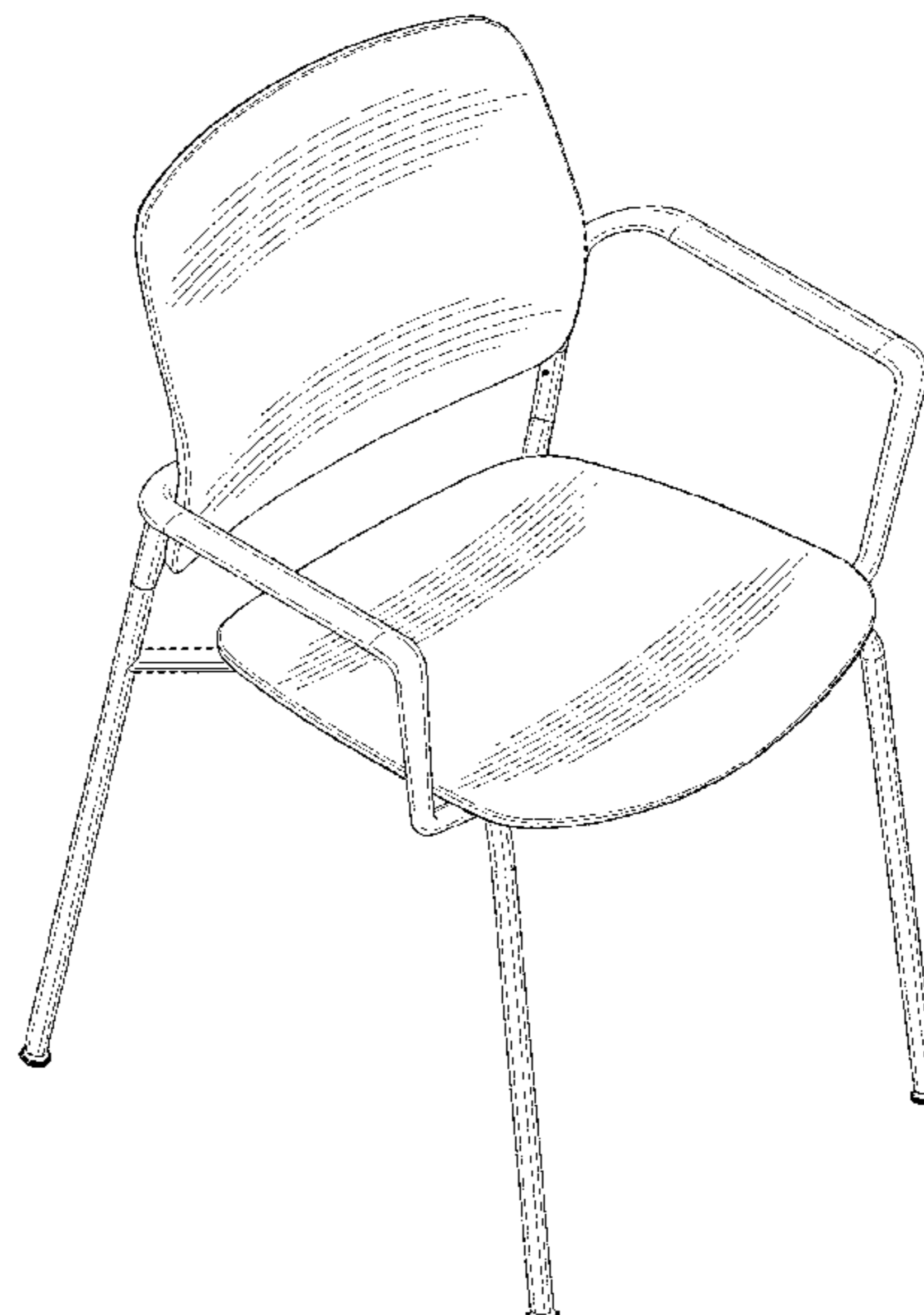
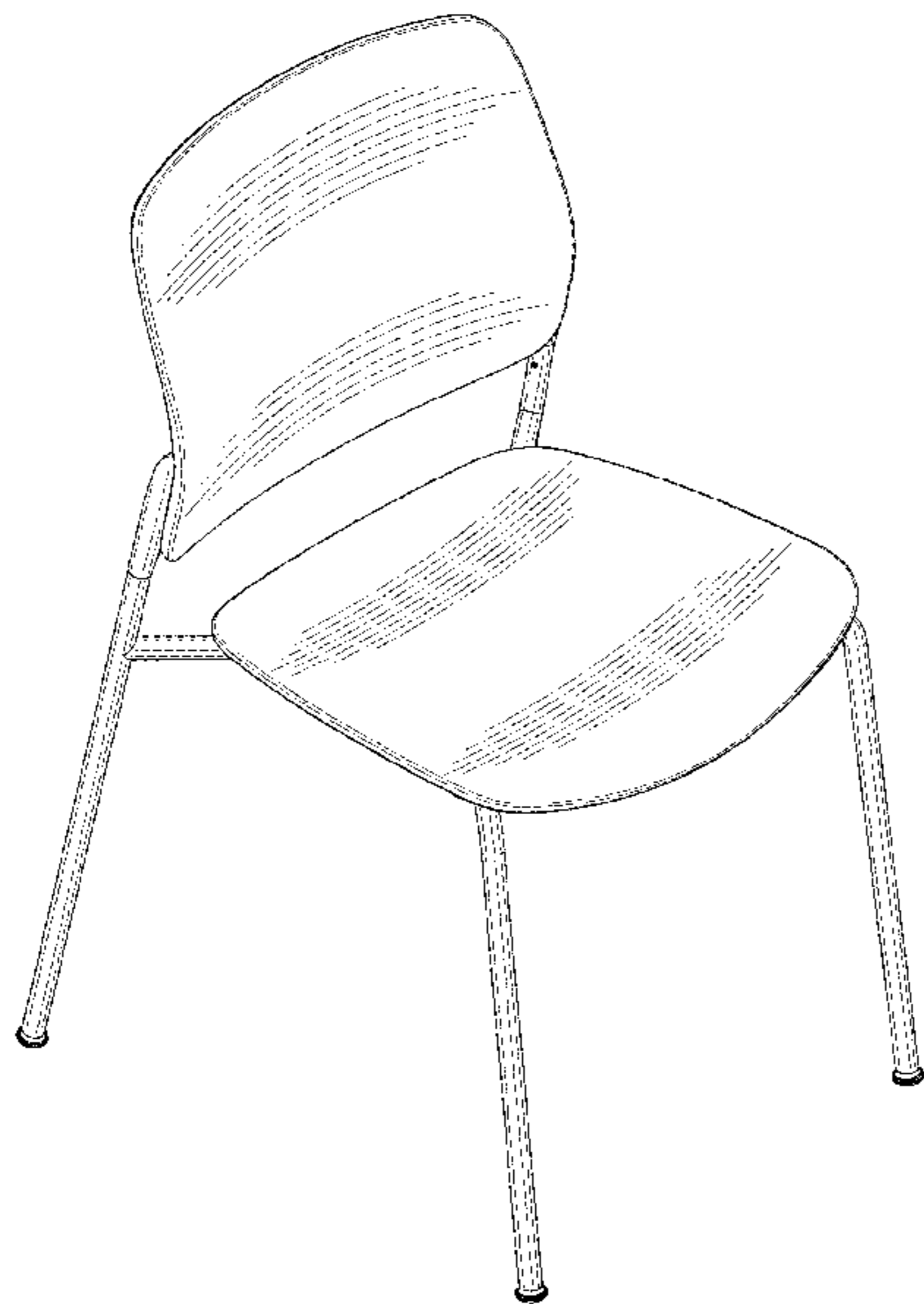
The ornamental design for the chair, as shown and described.

**DESCRIPTION**

FIG. 1 is a front perspective view of the chair.  
FIG. 2 is a bottom perspective view of the chair.

FIG. 3 is a right side view of the chair.  
FIG. 4 is a front view of the chair.  
FIG. 5 is a left side view of the chair.  
FIG. 6 is a back view of the chair.  
FIG. 7 is a top view of the chair.  
FIG. 8 is a bottom view of the chair.  
FIG. 9 is a front perspective view of the chair in a second embodiment.  
FIG. 10 is a bottom perspective view of the chair in a second embodiment.  
FIG. 11 is a right side view of the chair in a second embodiment.  
FIG. 12 is a front view of the chair in a second embodiment.  
FIG. 13 is a left side view of the chair in a second embodiment.  
FIG. 14 is a back view of the chair in a second embodiment.  
FIG. 15 is a top view of the chair in a second embodiment.  
FIG. 16 is a bottom view of the chair in a second embodiment.  
FIG. 17 is a front perspective view of the chair in a third embodiment.  
FIG. 18 is a bottom perspective view of the chair in a third embodiment.  
FIG. 19 is a right side view of the chair in a third embodiment.  
FIG. 20 is a front view of the chair in a third embodiment.  
FIG. 21 is a left side view of the chair in a third embodiment.  
FIG. 22 is a back view of the chair in a third embodiment.  
FIG. 23 is a top view of the chair in a third embodiment; and  
FIG. 24 is a bottom view of the chair in a third embodiment.  
The broken lines shown in the drawings are for the purpose of illustrating portions of the article that form no part of the claim design.

**1 Claim, 12 Drawing Sheets**



(58) **Field of Classification Search**

CPC .... A47C 3/04; A47C 4/02; A47C 4/03; A47C  
4/024; A47C 4/028; A47C 5/04; A47C  
5/08; A47C 5/12; A47C 7/16; A47C  
9/007

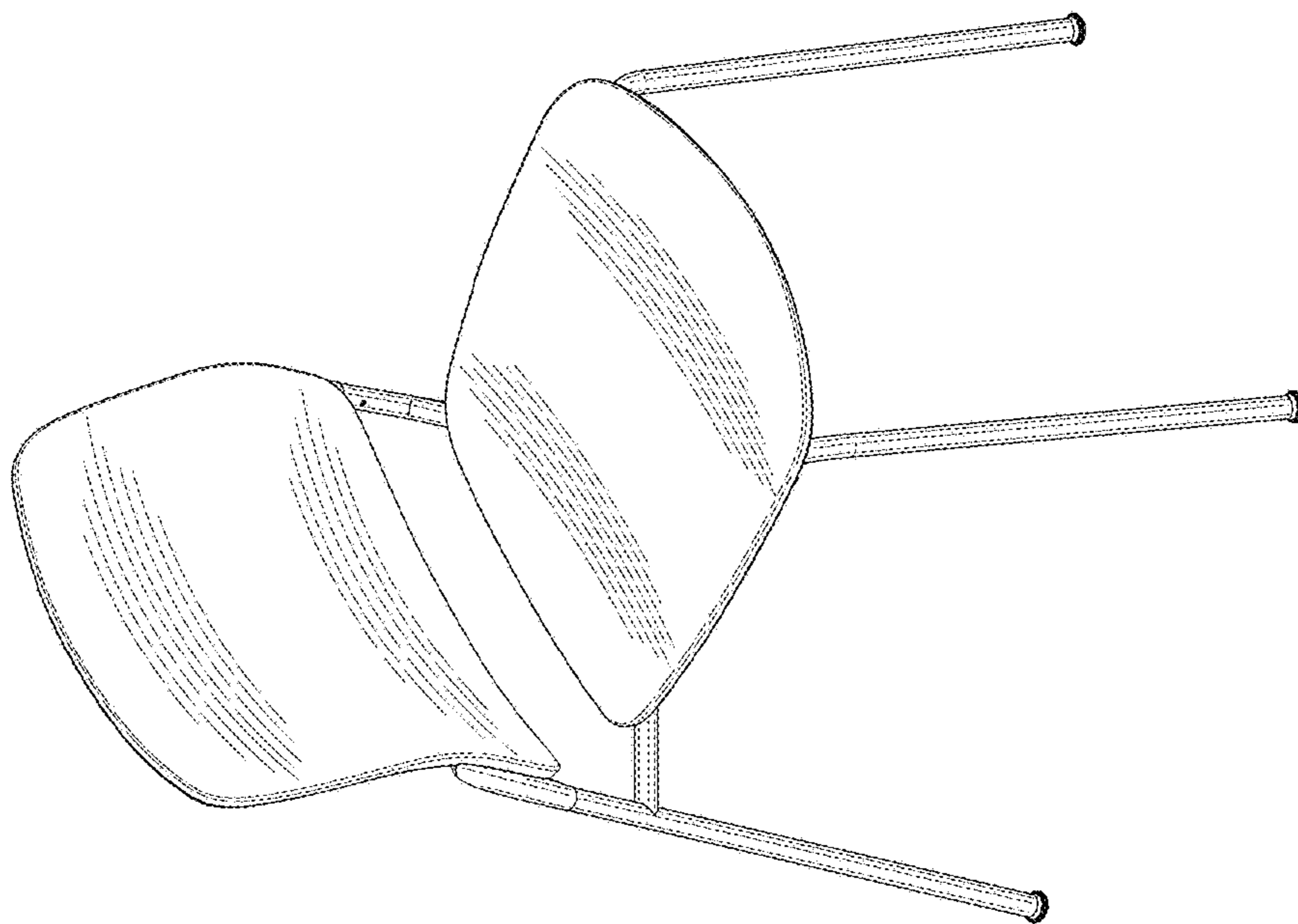
See application file for complete search history.

(56) **References Cited**

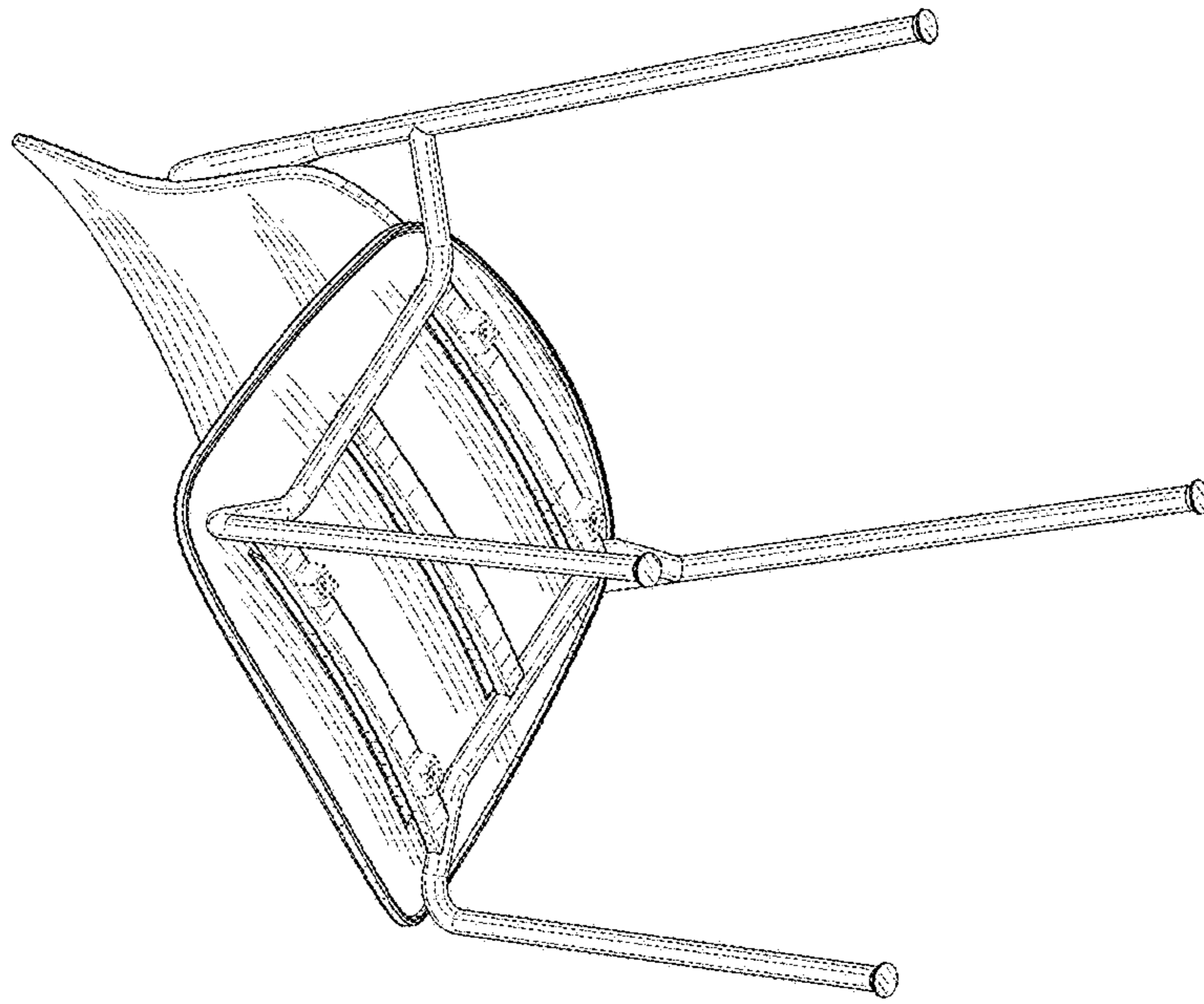
U.S. PATENT DOCUMENTS

D464,494	S	*	10/2002	Gasca Burges	.....	D6/374
7,118,175	B2	*	10/2006	Crue	.....	A47C 3/04
						297/239
D779,223	S	*	2/2017	Duvigneau	.....	D6/374
D787,217	S	*	5/2017	Lin	.....	D6/376
D787,849	S	*	5/2017	Lin	.....	D6/376
D798,075	S	*	9/2017	Foley	.....	D6/360

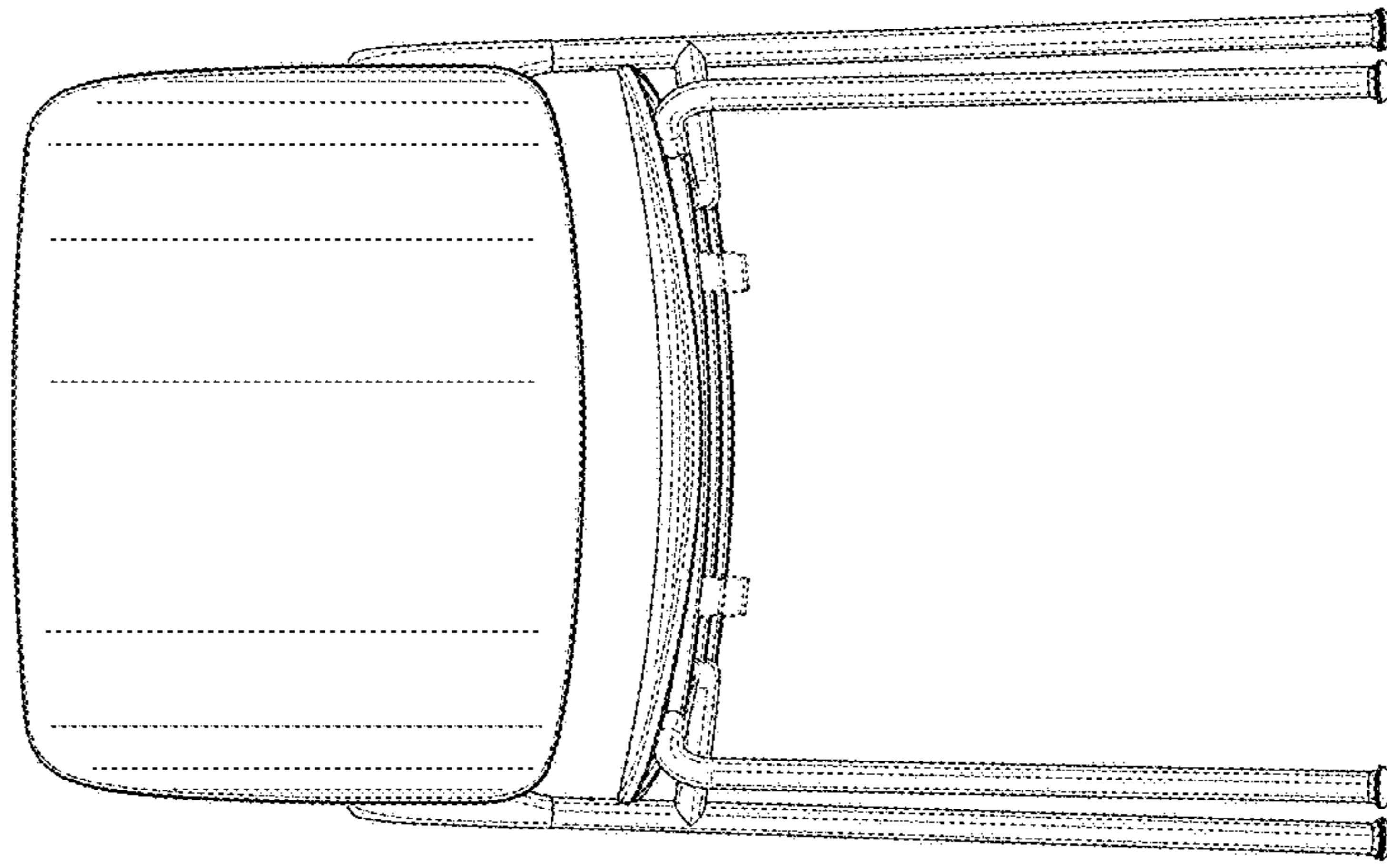
\* cited by examiner



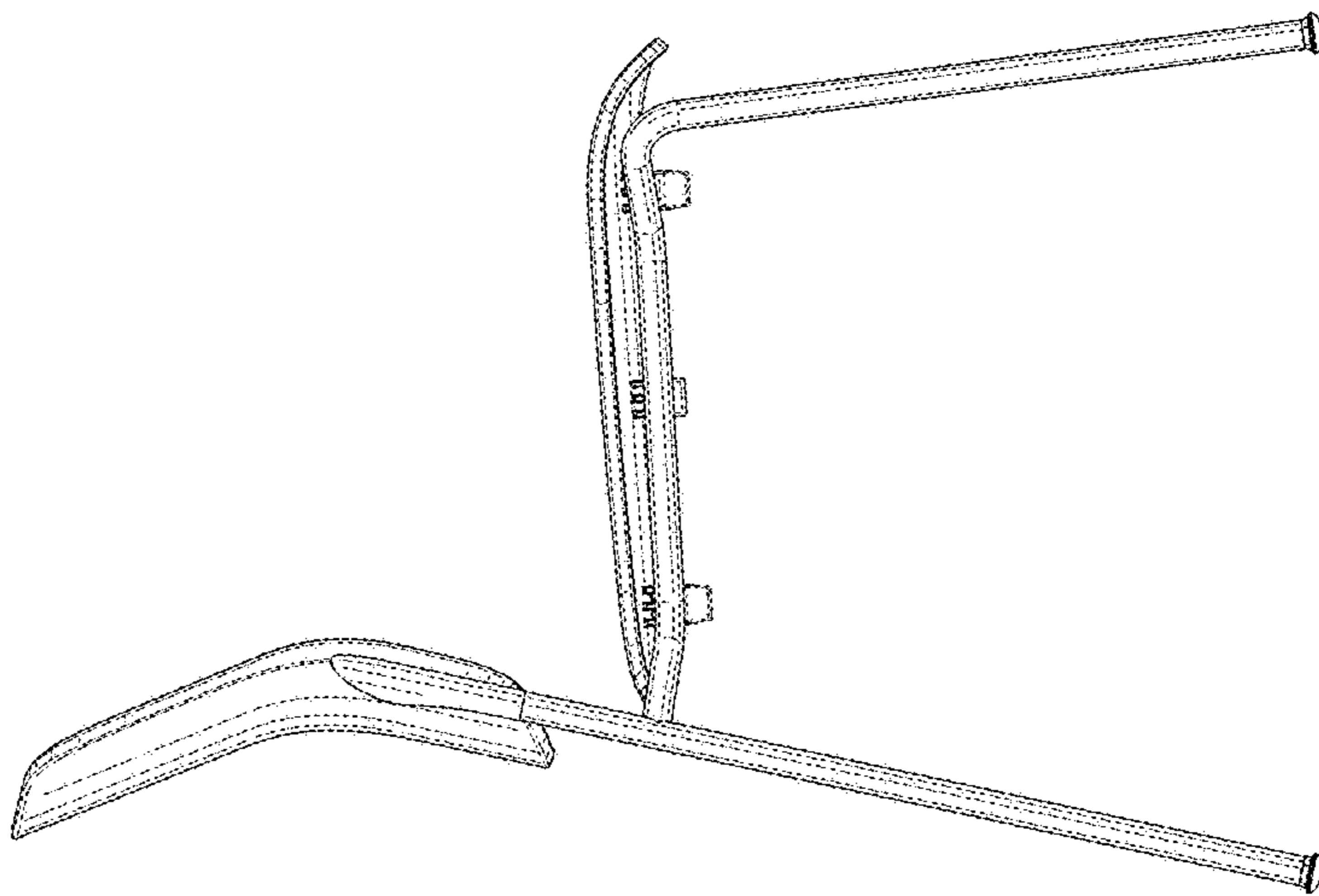
**FIG. 1**



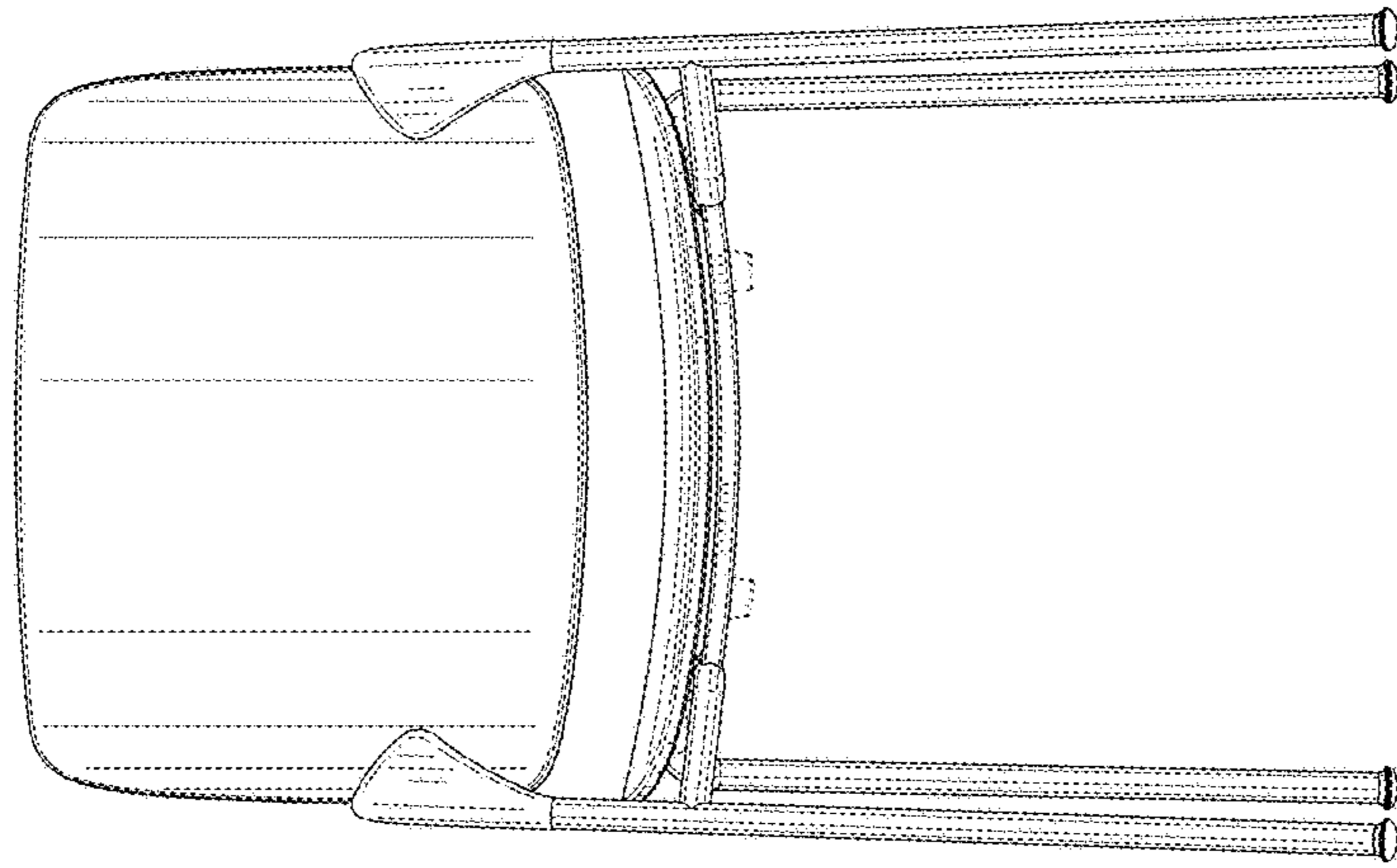
**FIG. 2**



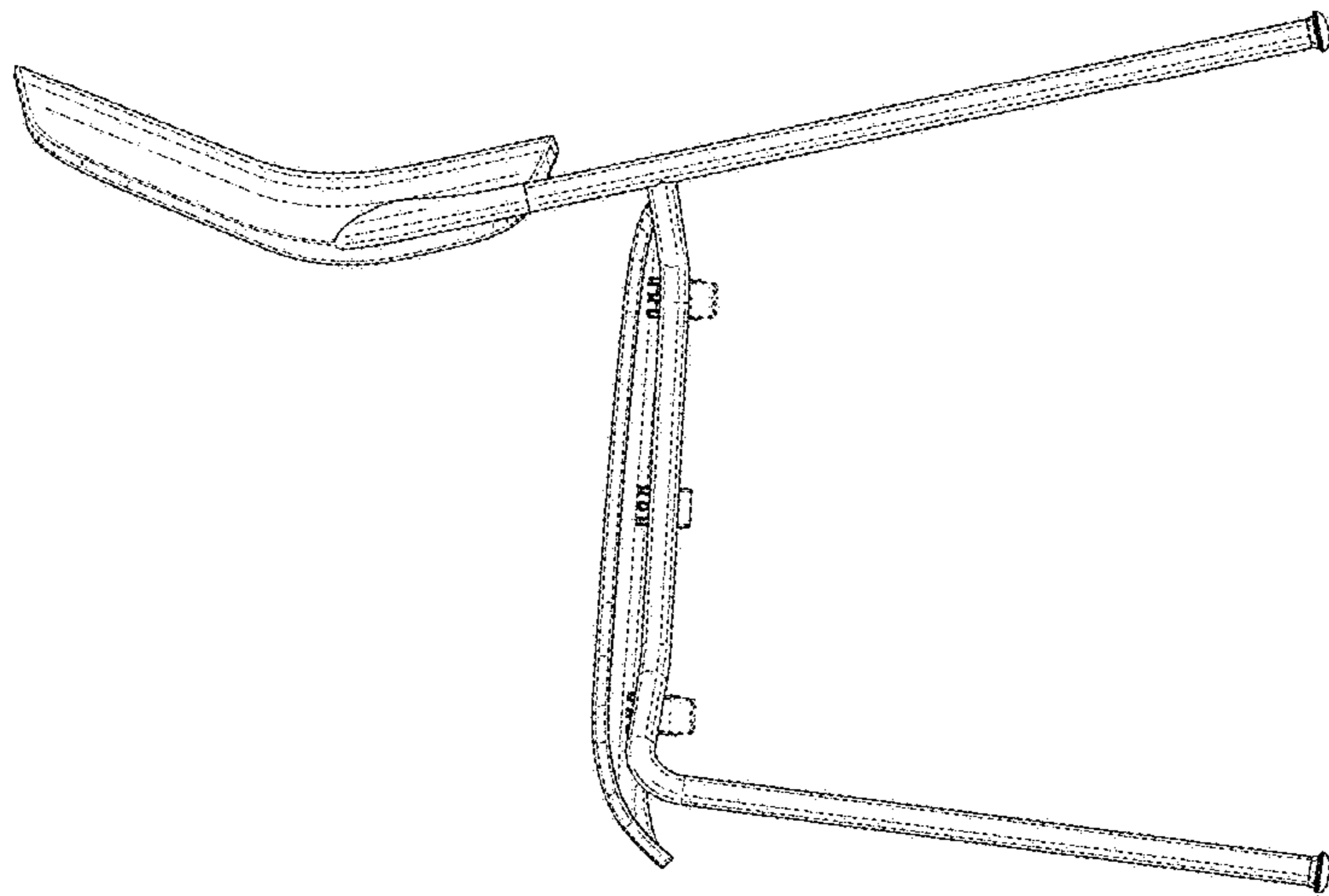
**FIG. 4**



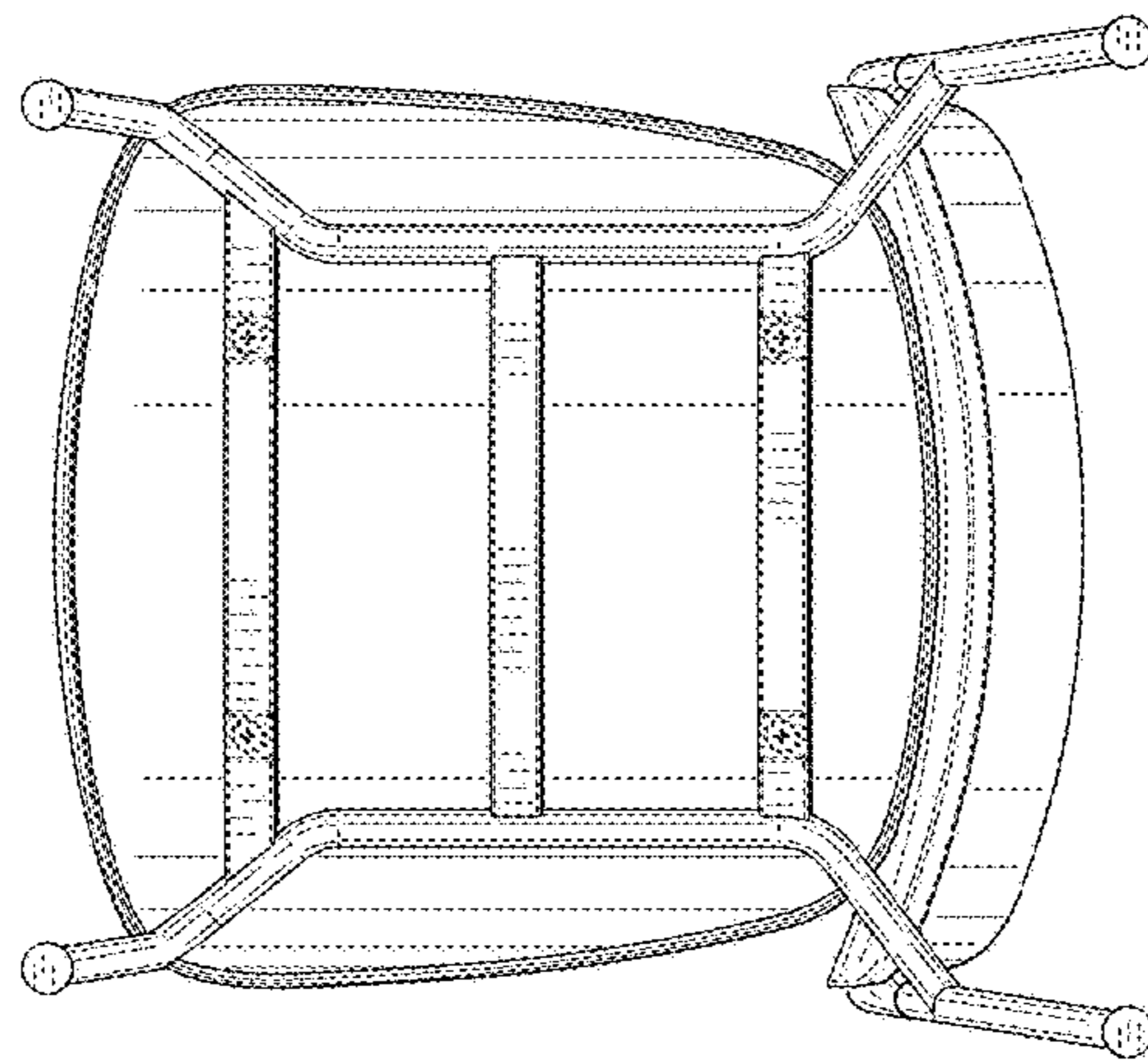
**FIG. 3**



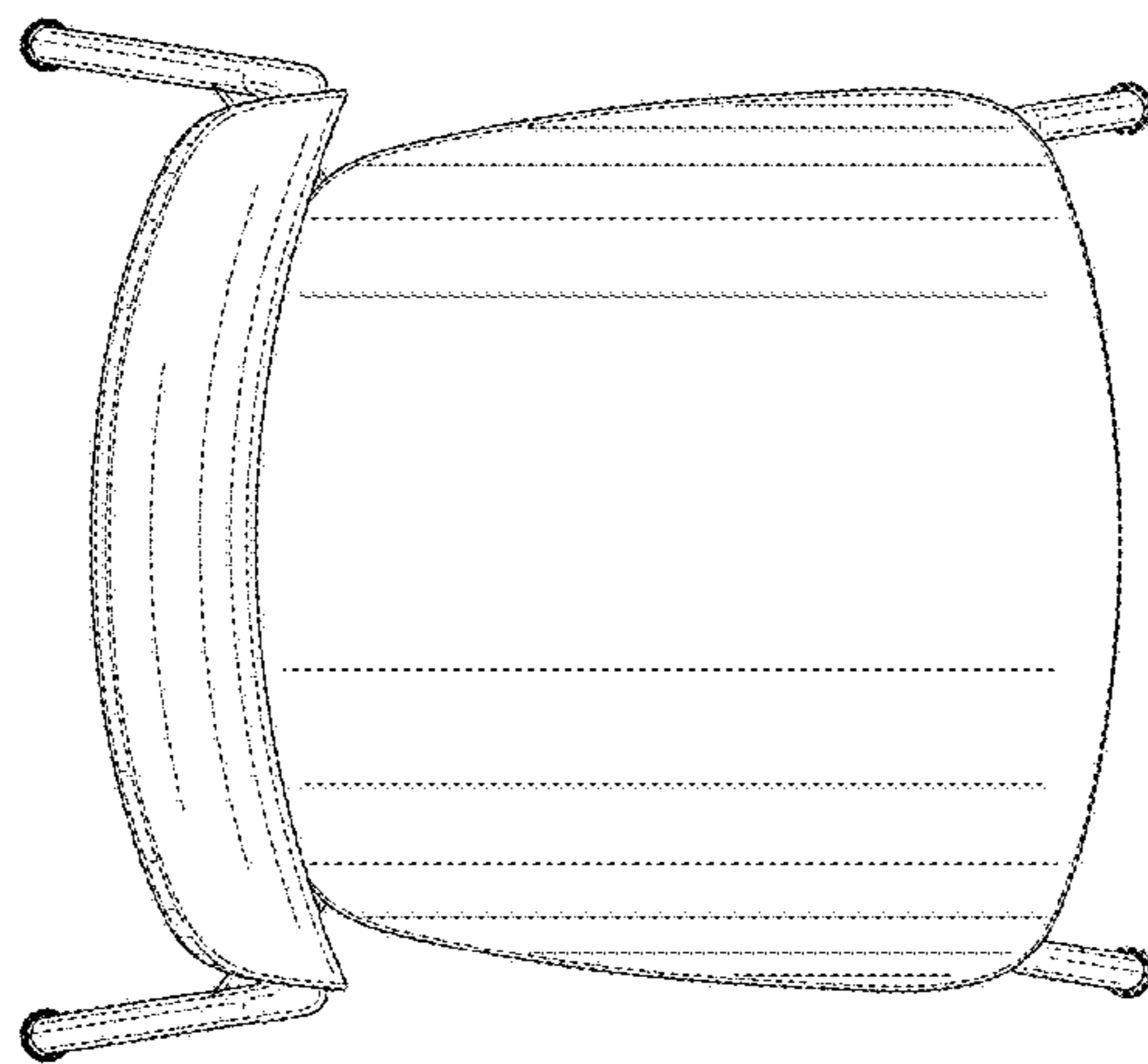
**FIG. 6**



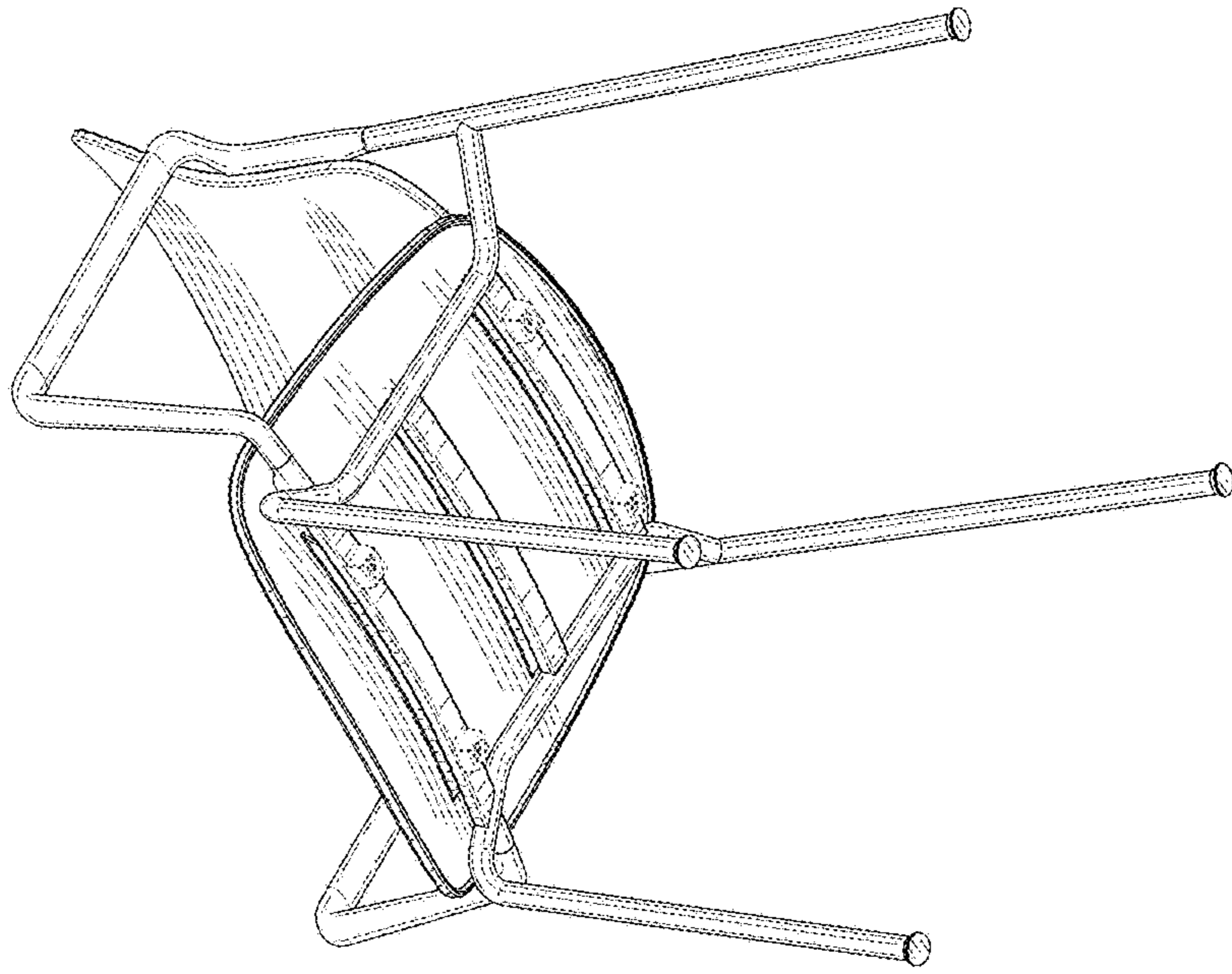
**FIG. 5**



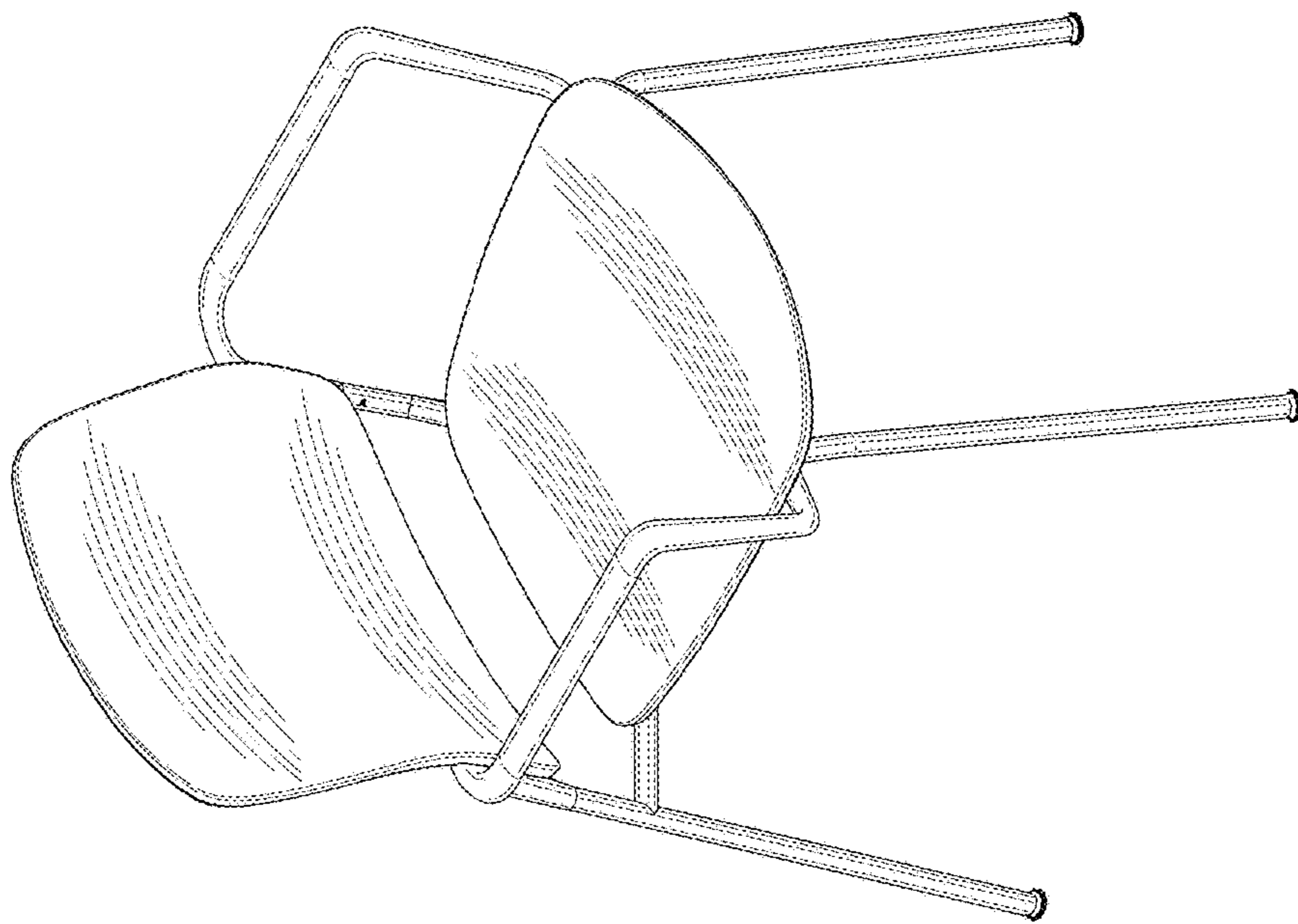
**FIG. 8**



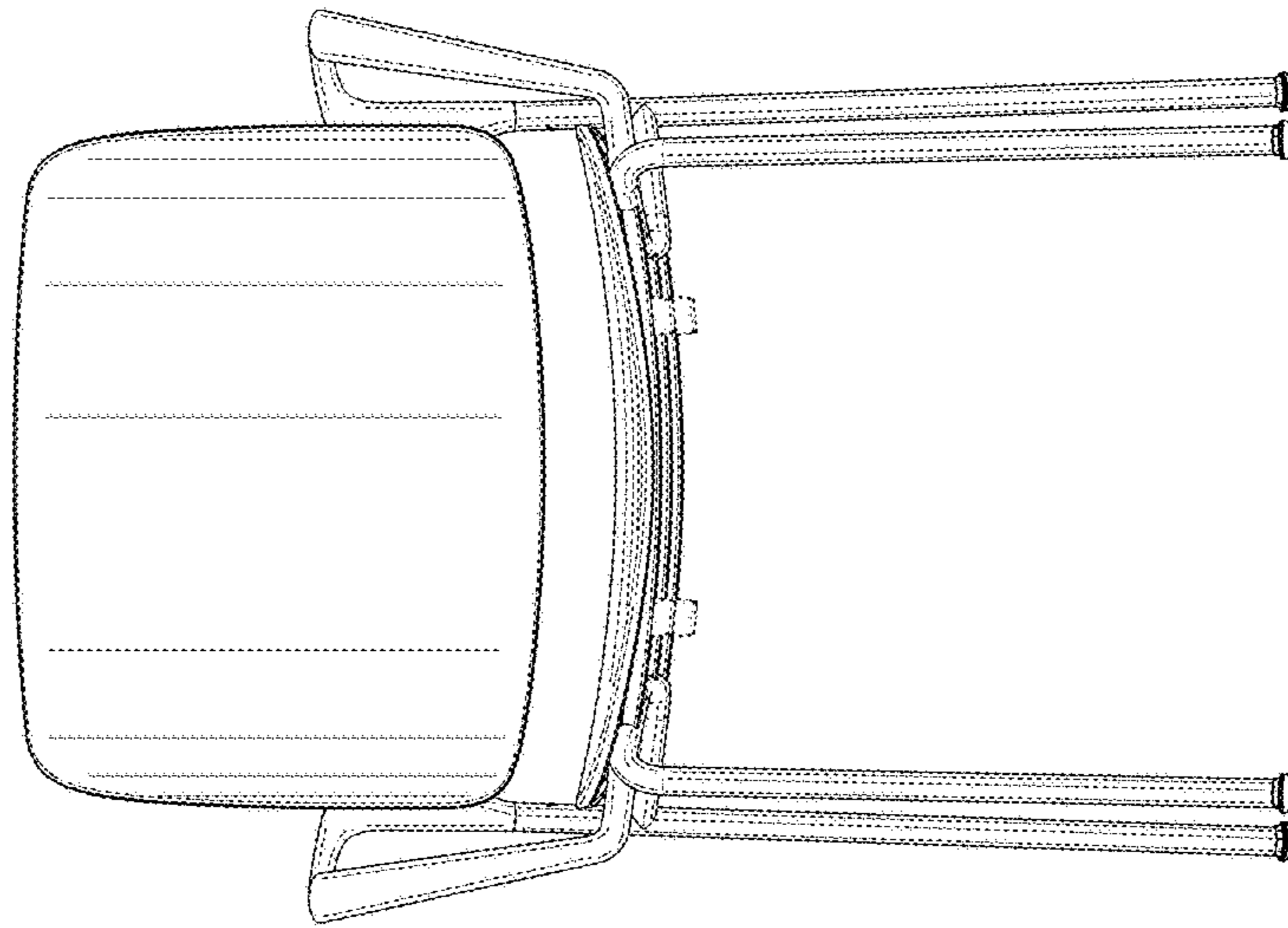
**FIG. 7**



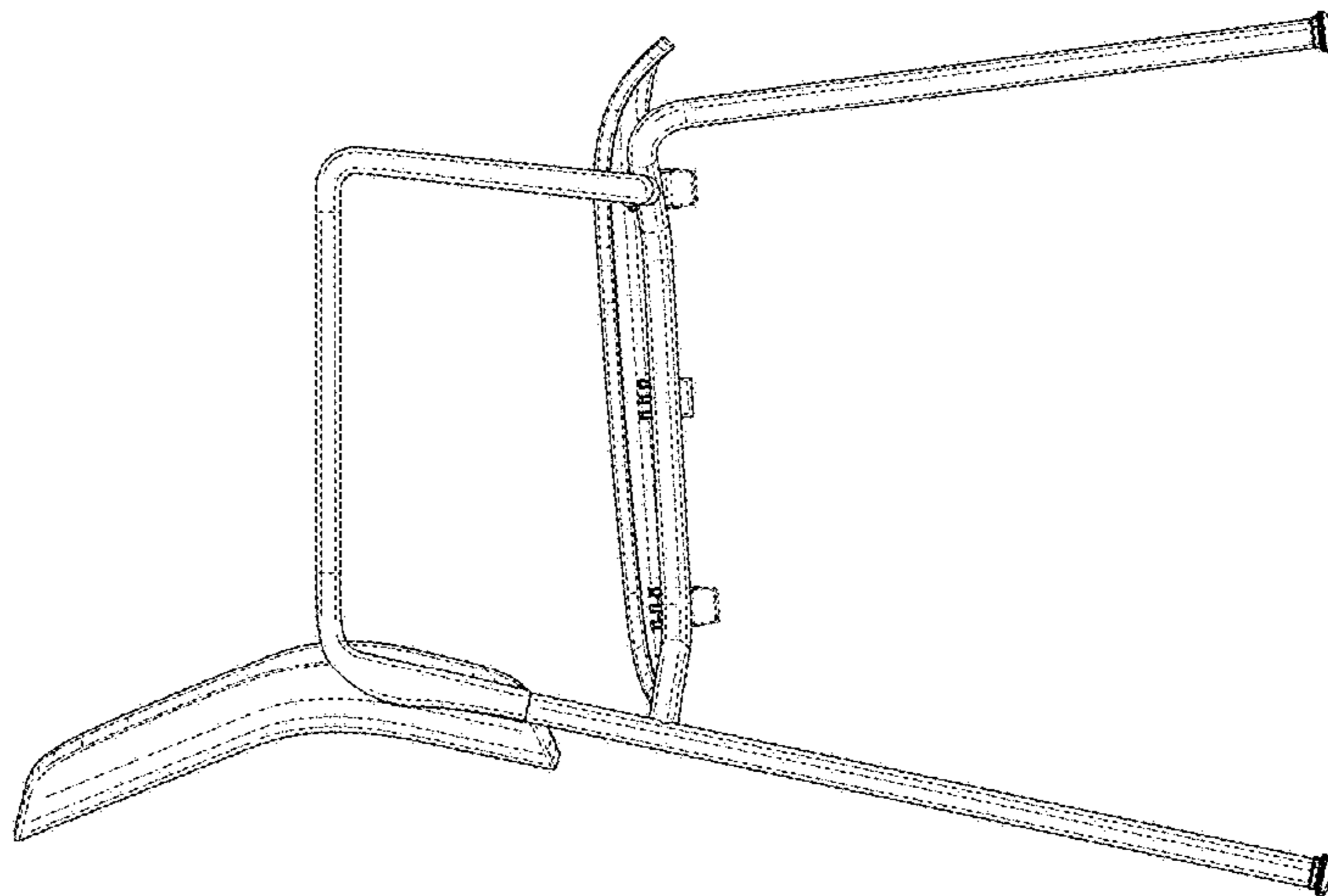
**FIG. 10**



**FIG. 9**

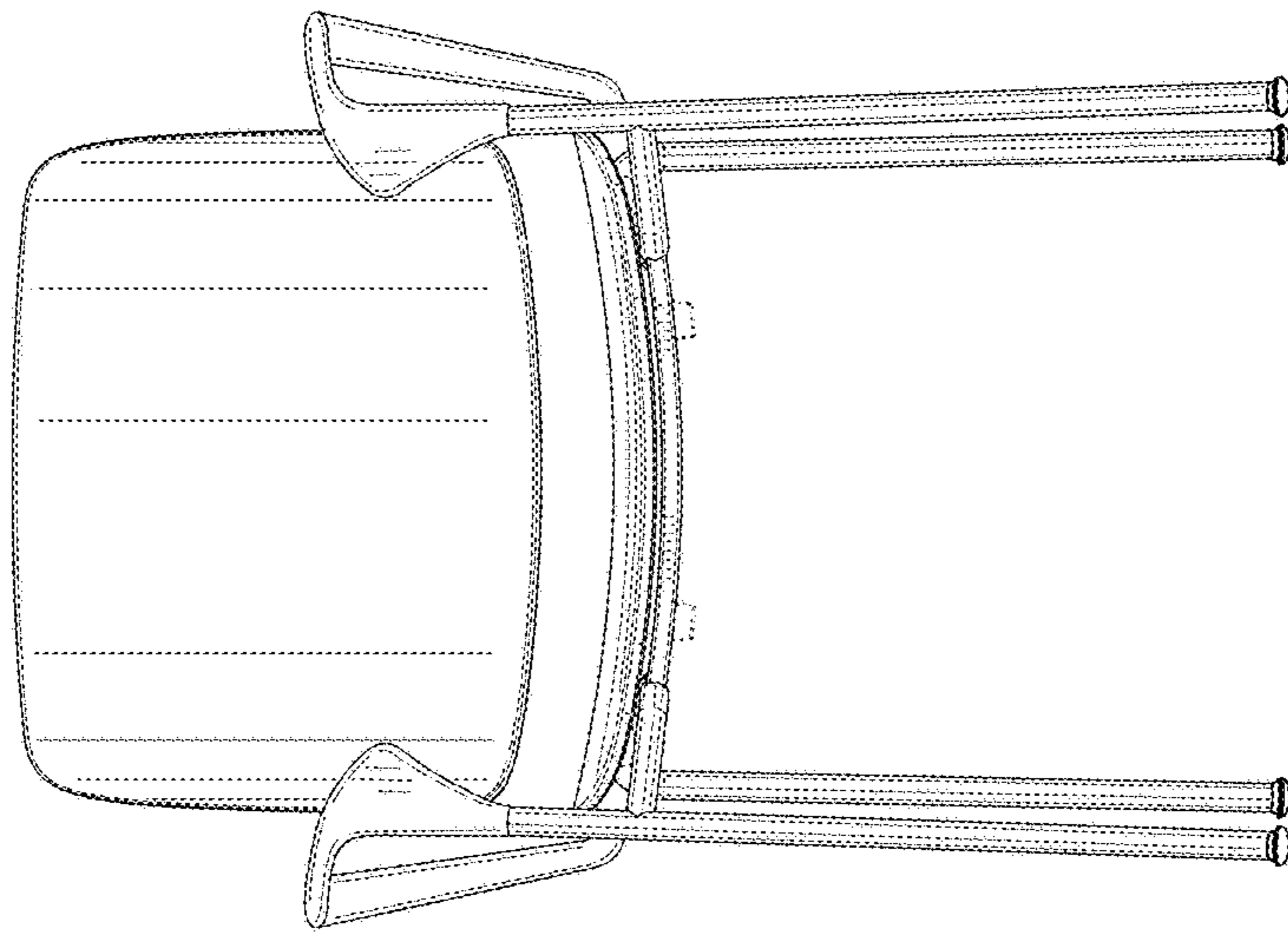


**FIG. 12**

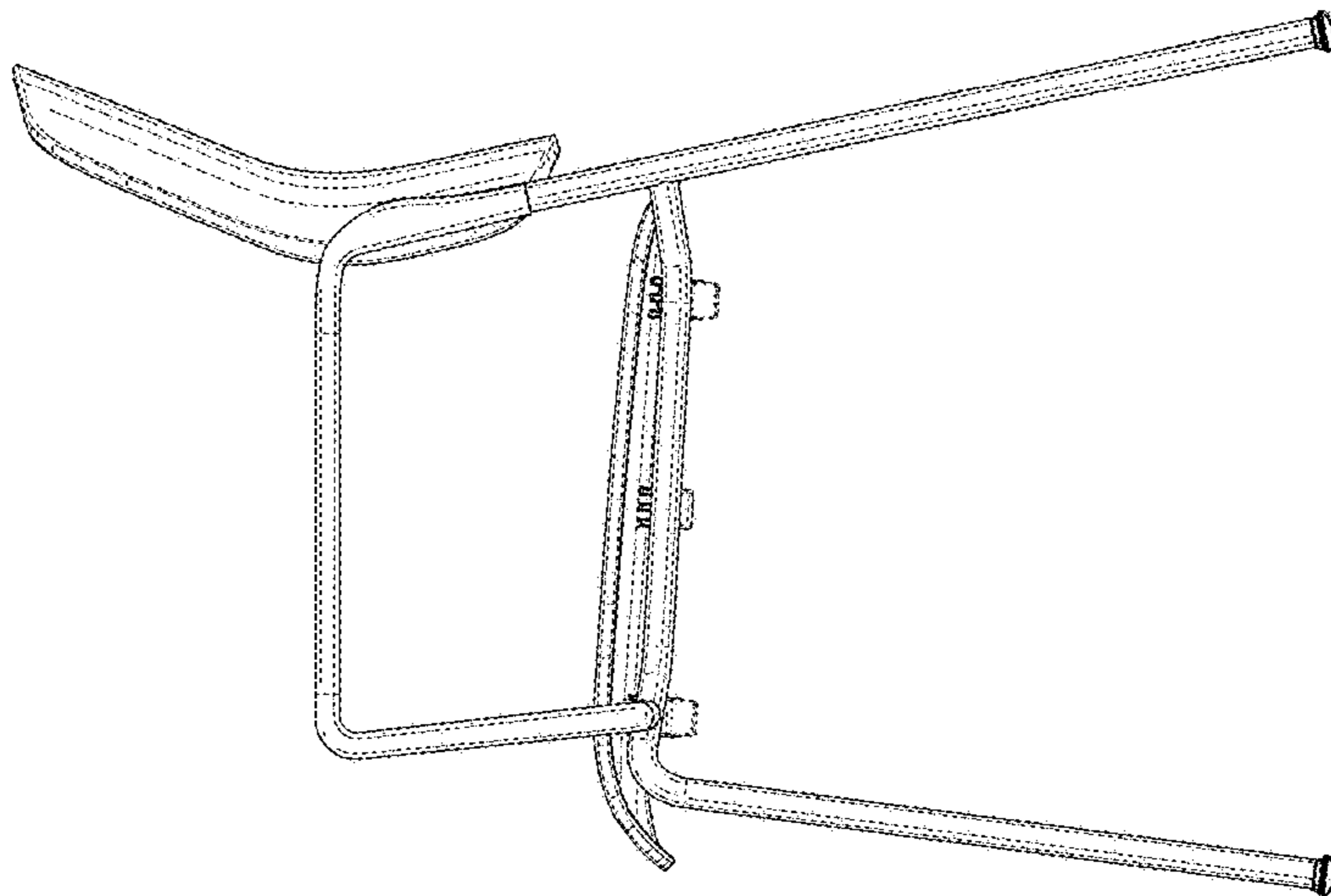


**FIG. 11**

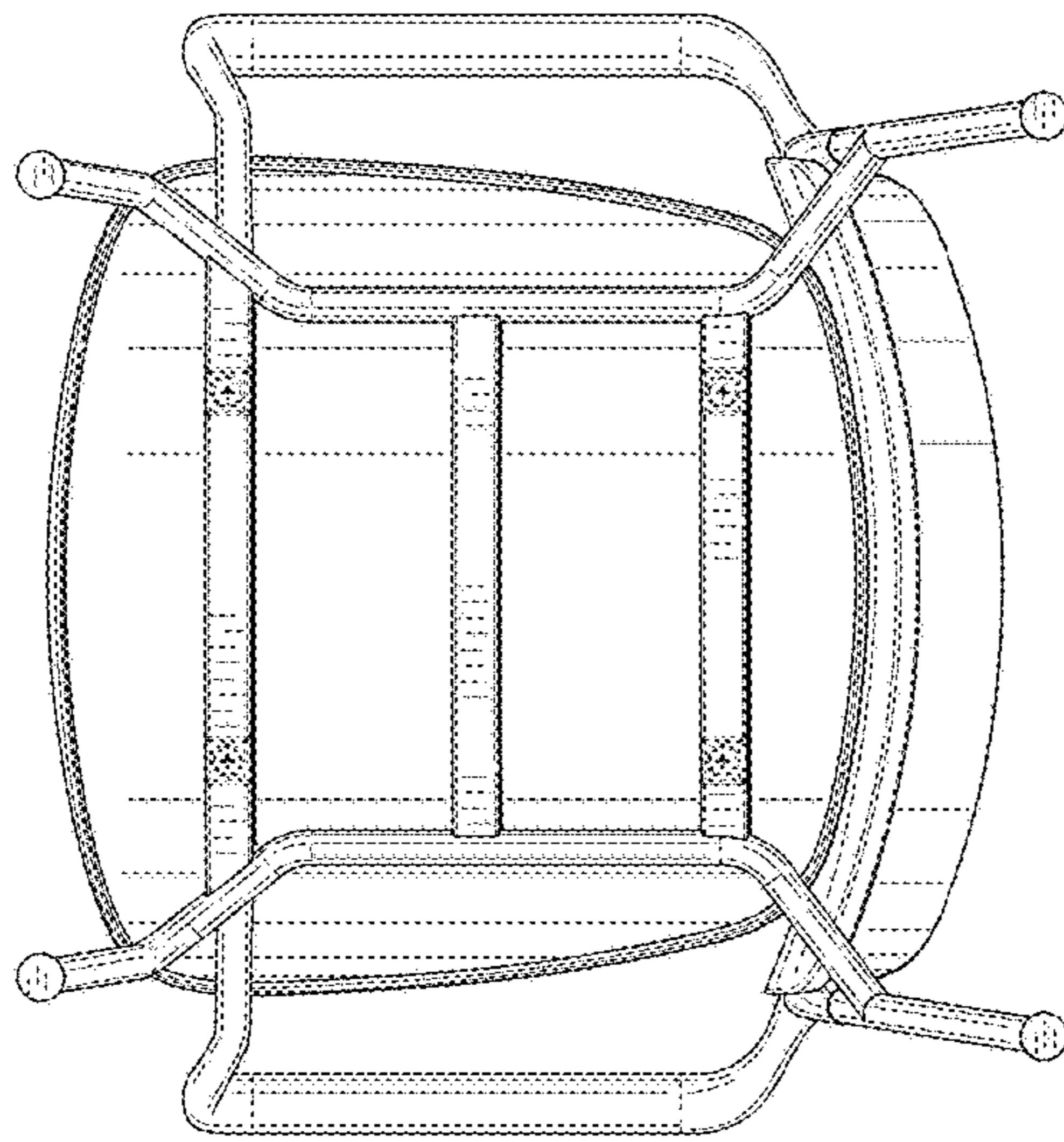




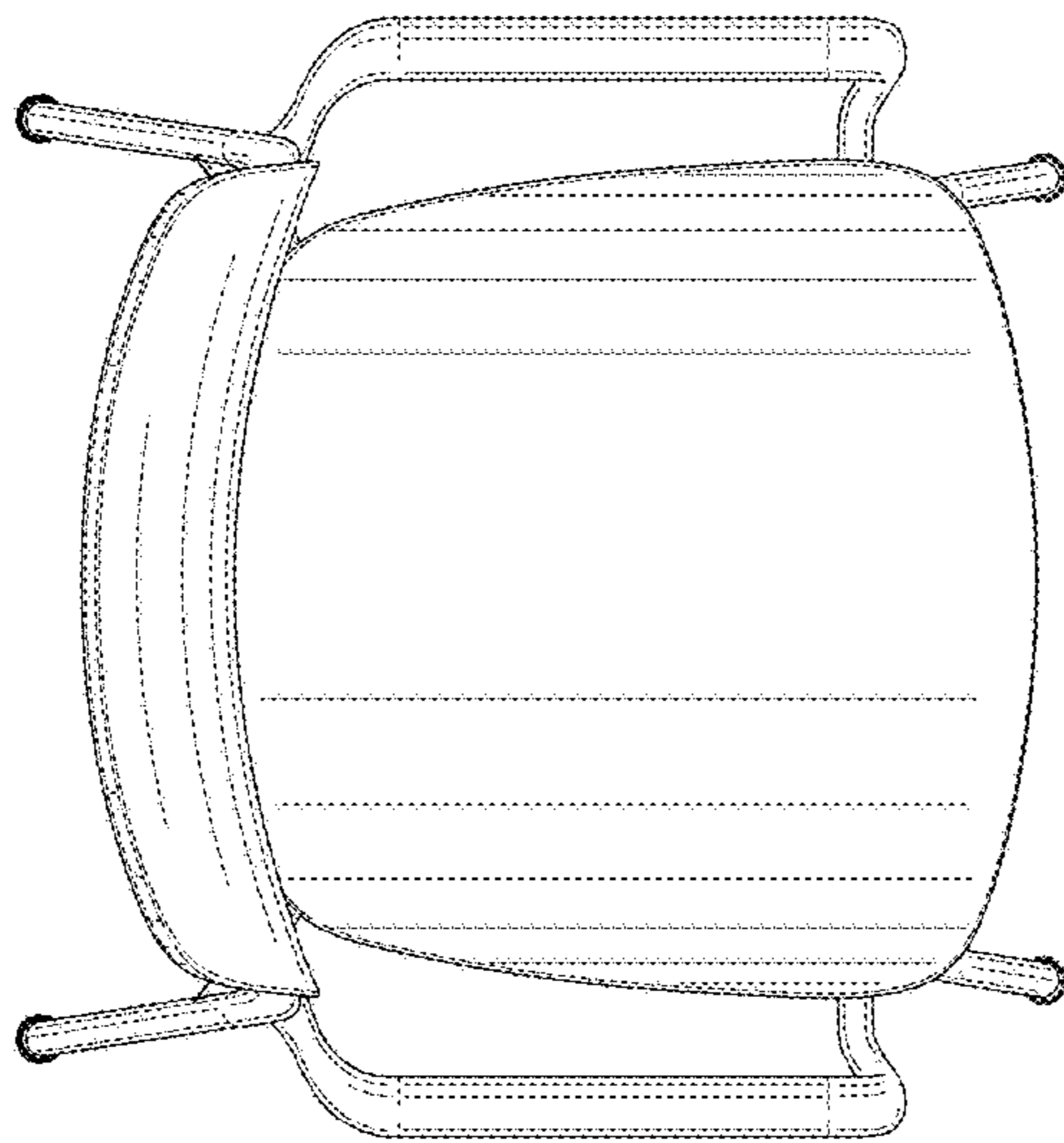
**FIG. 14**



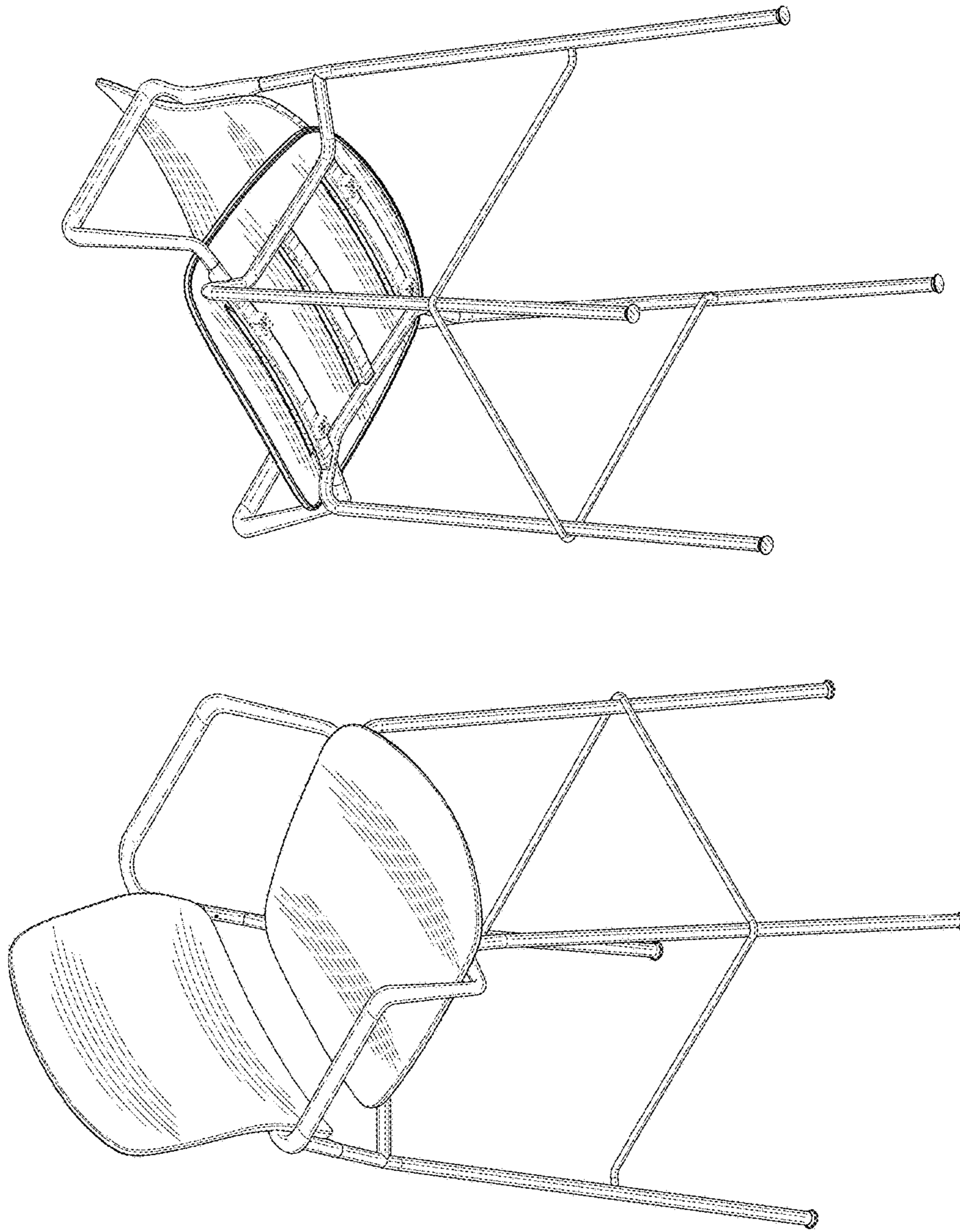
**FIG. 13**



**FIG. 16**

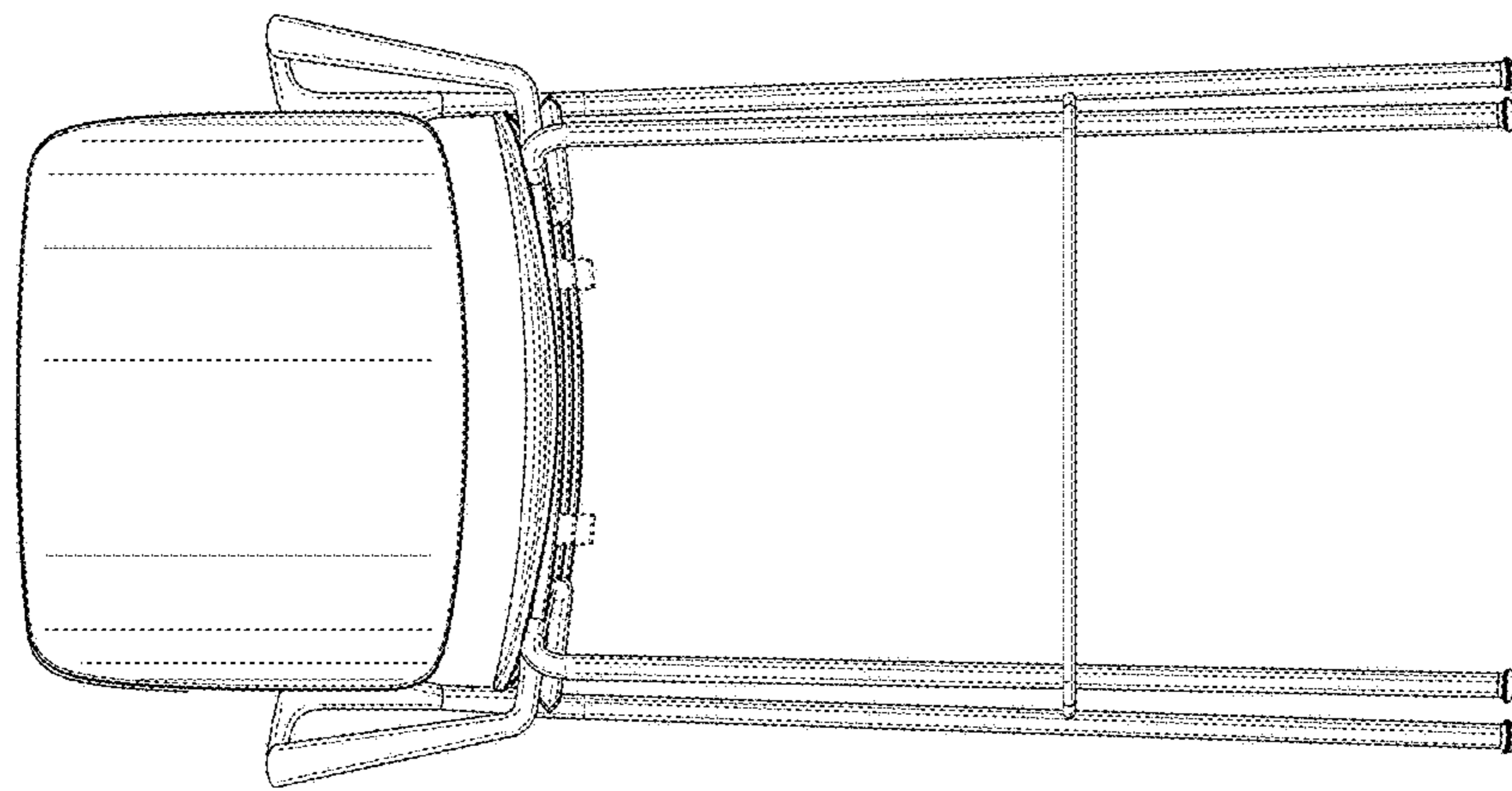


**FIG. 15**

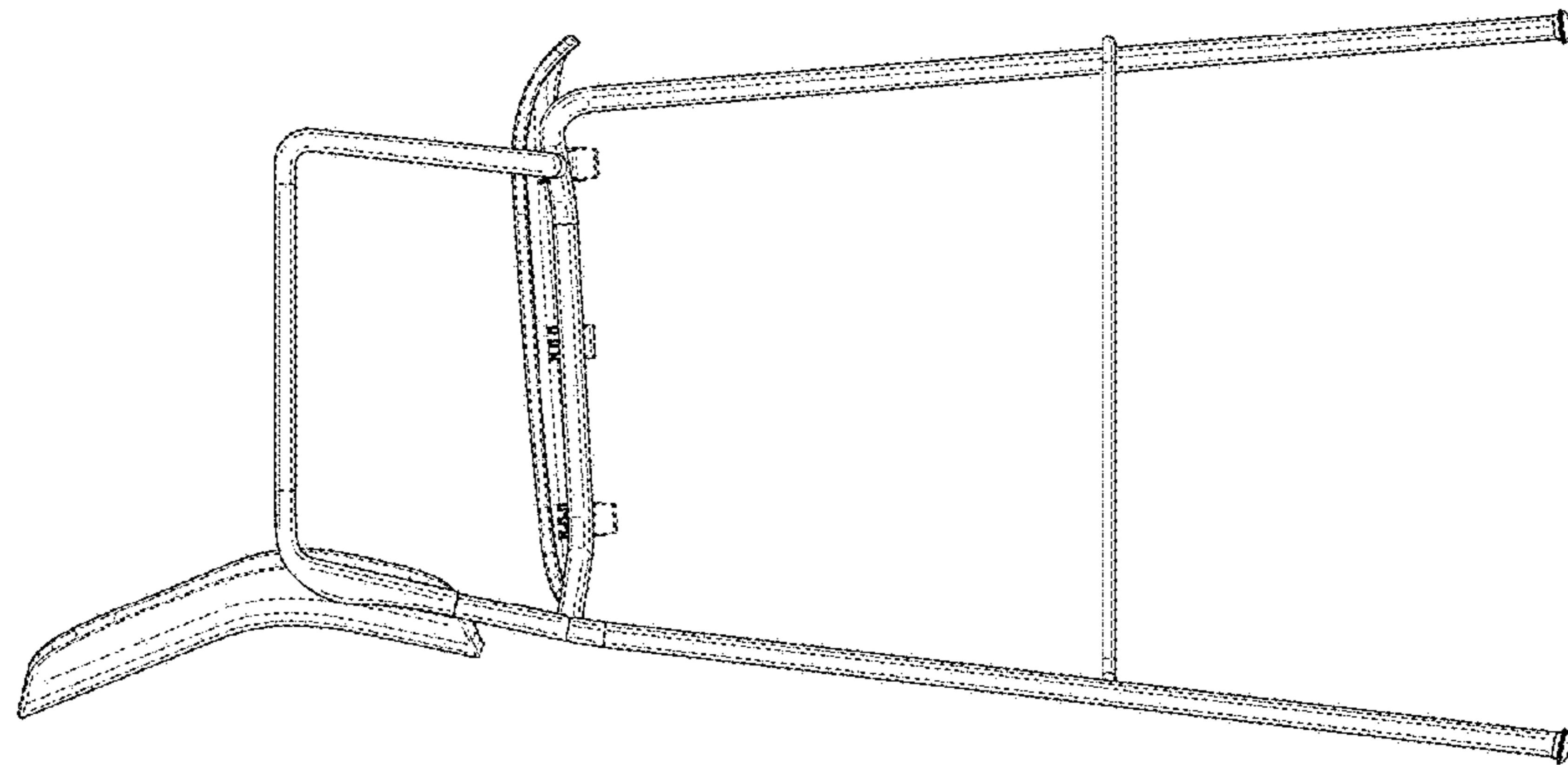


**FIG. 18**

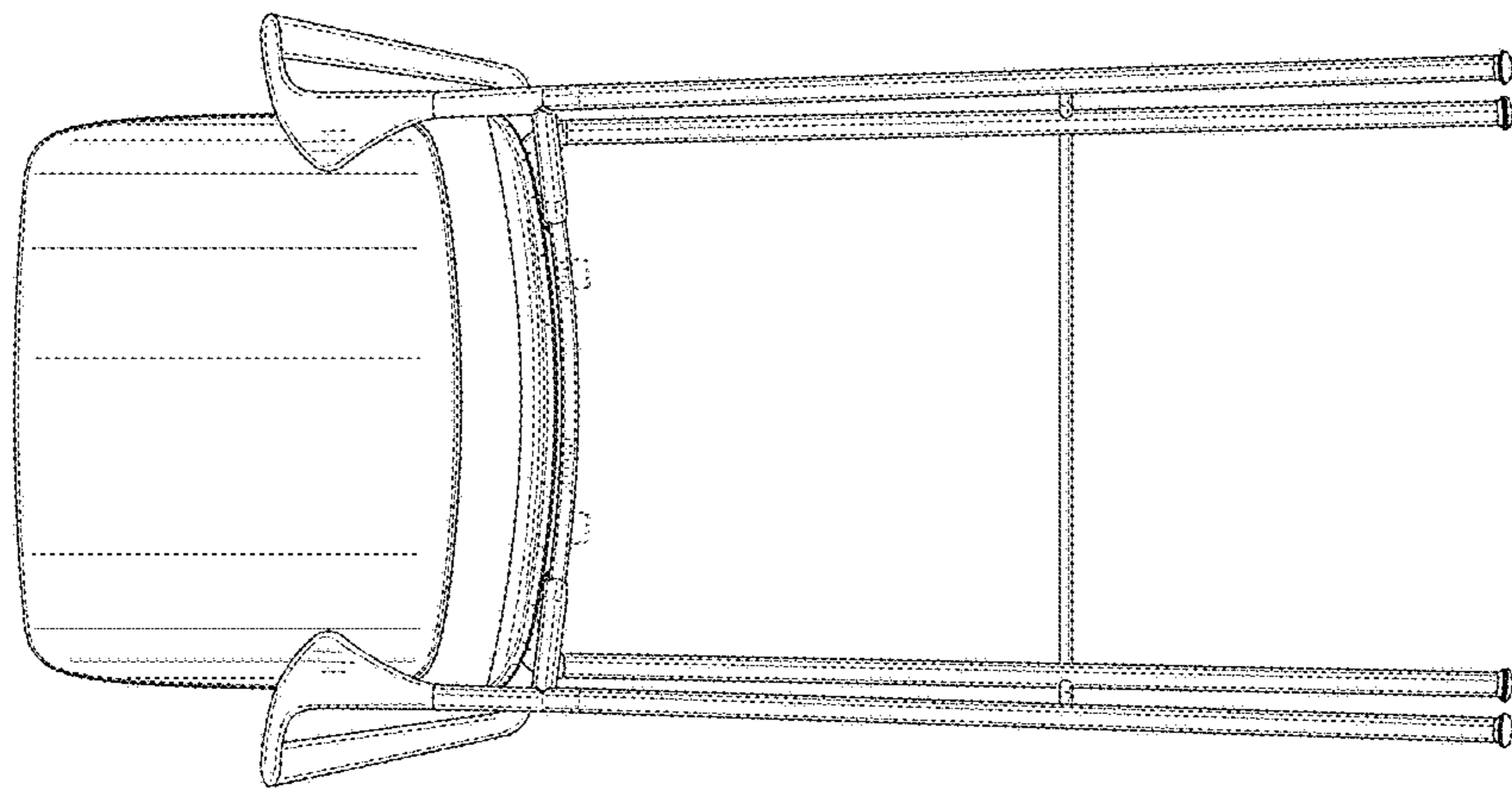
**FIG. 17**



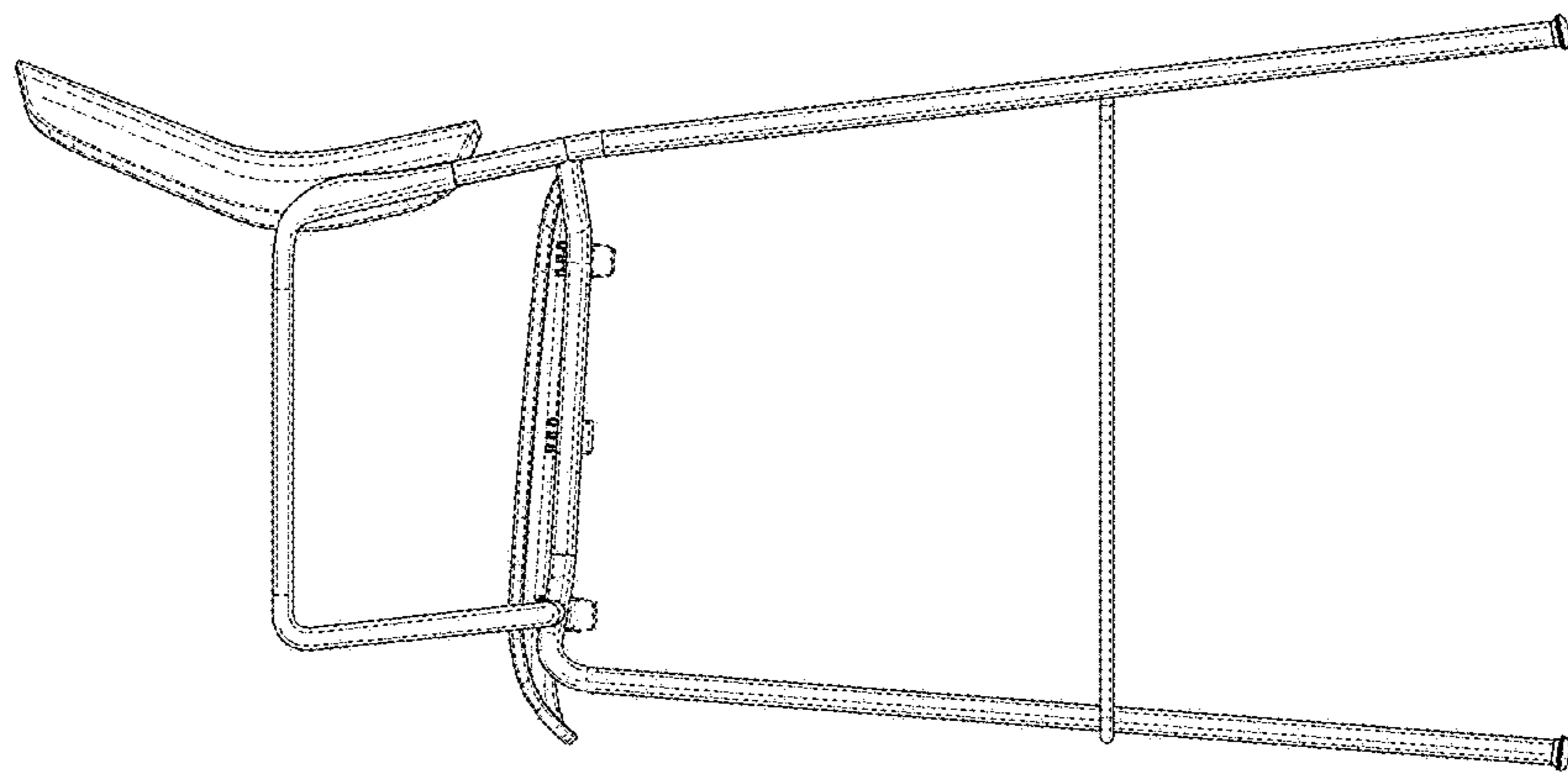
**FIG. 20**



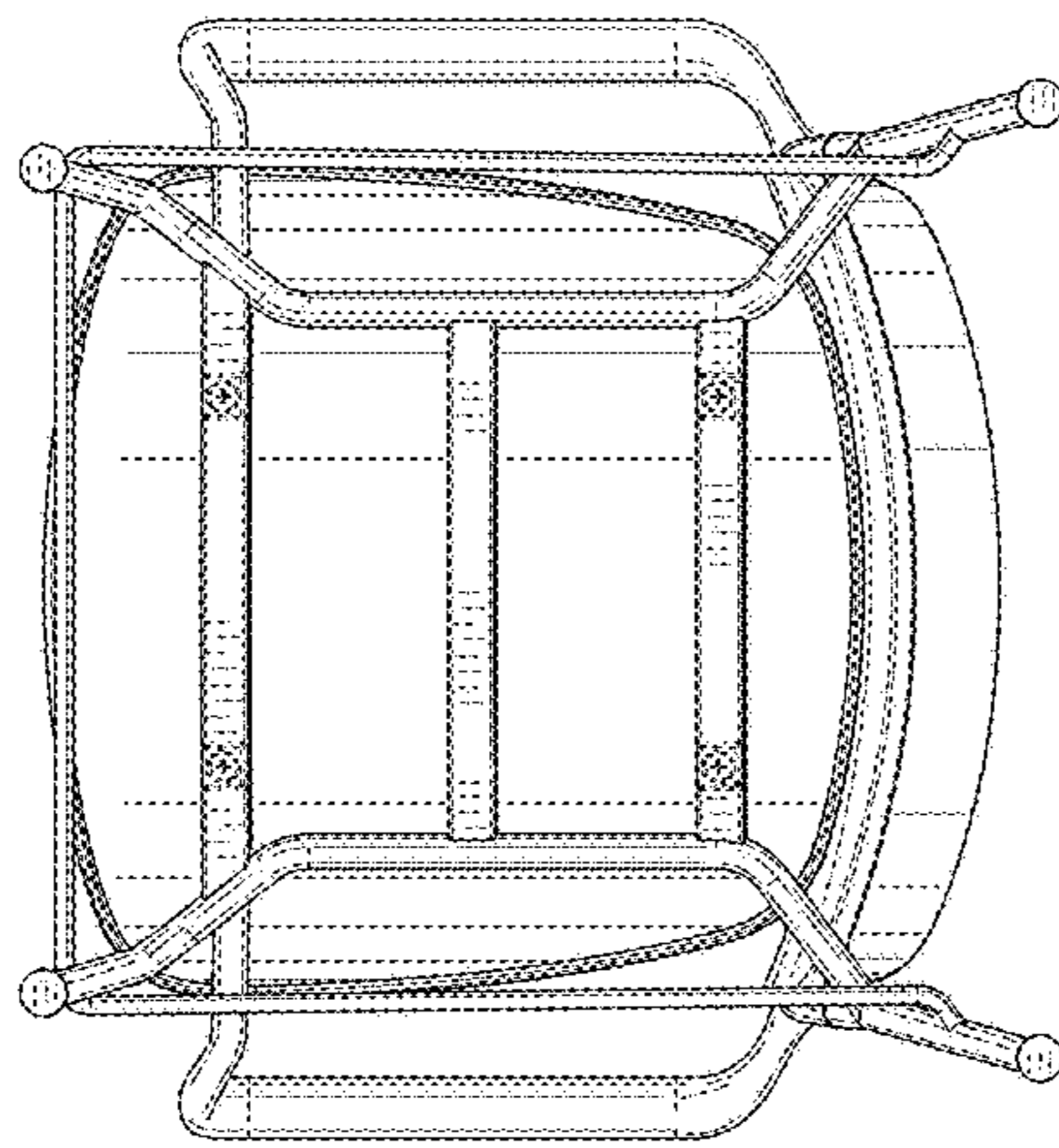
**FIG. 19**



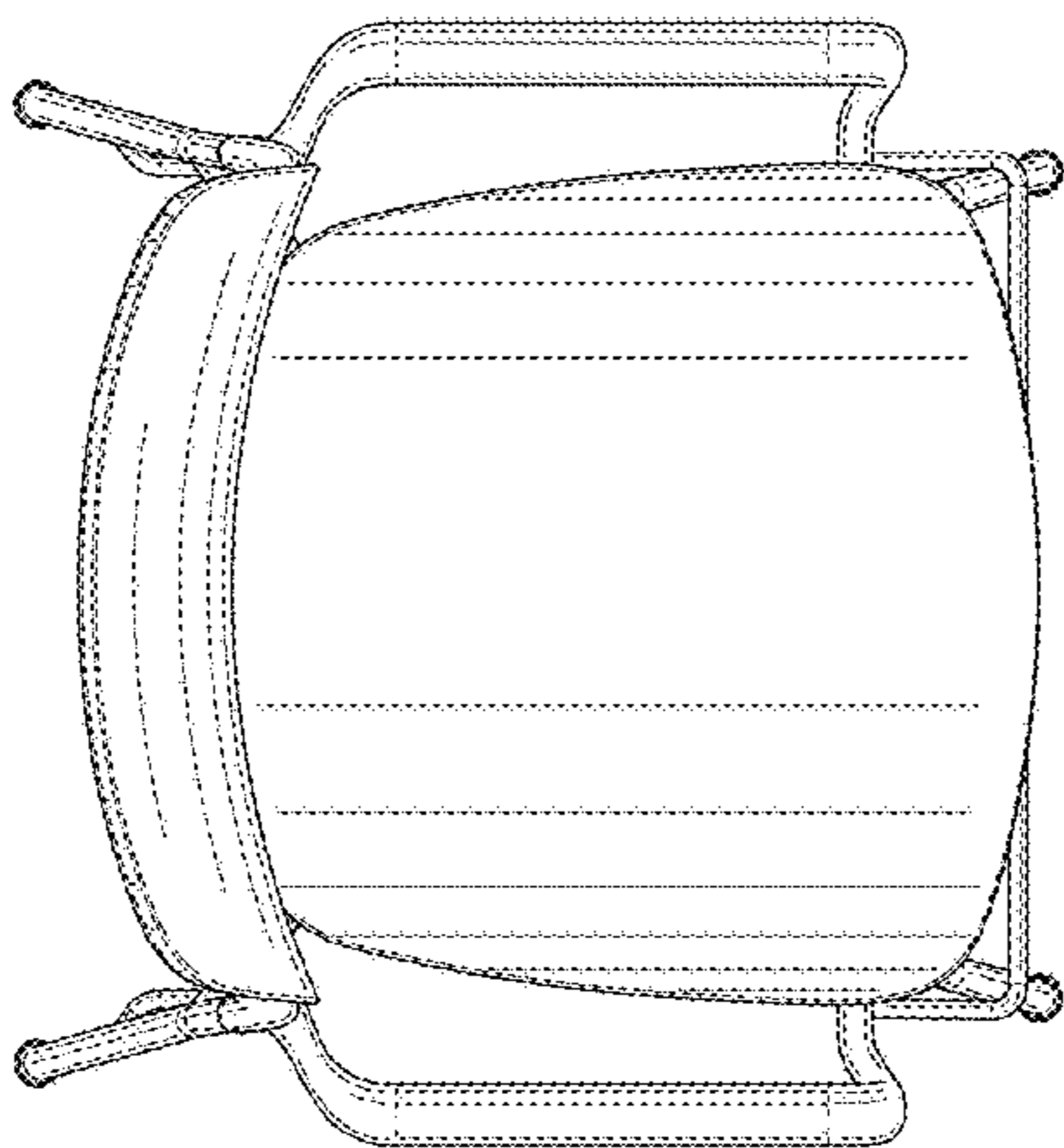
**FIG. 22**



**FIG. 21**



**FIG. 24**



**FIG. 23**