



US00D862096S

(12) **United States Design Patent** (10) **Patent No.:** **US D862,096 S**
Tomasson et al. (45) **Date of Patent:** **** Oct. 8, 2019**

- (54) **BENCH CAR SEAT**
- (71) Applicant: **Nio Nextev Limited**, Hong Kong (HK)
- (72) Inventors: **Kris Tomasson**, Hong Kong (HK);
Jochen Paesen, Hong Kong (HK);
Ryuichiro Goto, Hong Kong (HK);
Phil Gilman, Hong Kong (HK)
- (73) Assignee: **NIO NEXTEV LIMITED**, Hong Kong (HK)
- (**) Term: **15 Years**
- (21) Appl. No.: **29/616,088**
- (22) Filed: **Sep. 1, 2017**

- D413,026 S 8/1999 Reithmeier
 - D414,948 S 10/1999 Slanec et al.
 - D463,172 S 9/2002 Tsai
 - D480,571 S 10/2003 Yu
 - D513,132 S 12/2005 Yamazaki et al.
 - D534,005 S 12/2006 Beerman
 - D536,188 S 2/2007 Moburg
 - D542,041 S 5/2007 Moburg
 - D576,811 S 9/2008 Wyszogrod et al.
 - D578,315 S 10/2008 Wyszogrod et al.
 - D578,785 S 10/2008 Wyszogrod et al.
 - D614,879 S 5/2010 Higashida et al.
 - D615,311 S 5/2010 Fleming
 - D617,105 S 6/2010 Rosenbohm
 - D624,767 S 10/2010 Alvarez et al.
 - D650,188 S 12/2011 Nakaminami et al.
 - D650,189 S * 12/2011 Nakaminami D6/356
- (Continued)

(30) **Foreign Application Priority Data**

Apr. 10, 2017 (CN) 2017 3 0115146
 Apr. 17, 2017 (CN) 2017 3 0127263

- (51) **LOC (12) Cl.** **06-01**
- (52) **U.S. Cl.**
USPC **D6/356**

- (58) **Field of Classification Search**
USPC D6/334-336, 356, 367, 368, 374, 375,
D6/716, 716.1, 716.2, 716.3, 716.4, 716.5
CPC B60N 2/02; B60N 2/0244; B60N 2/3081;
B60N 2/3084; B60N 2/00; B60N 2/48;
B60N 2/22; B60N 2/449; B60N 2/4882;
A47C 7/022; A47C 7/18
See application file for complete search history.

(56) **References Cited**

U.S. PATENT DOCUMENTS

- D274,863 S 7/1984 Lindstrom et al.
- D315,255 S 3/1991 Beermann
- D367,181 S 2/1996 Peters
- D378,961 S 4/1997 Nordstrom et al.
- D399,353 S 10/1998 Krass et al.

OTHER PUBLICATIONS

Final Office Action dated Sep. 7, 2018, corresponding to U.S. Appl. No. 29/616,092.

(Continued)

Primary Examiner — Mimosa De
(74) *Attorney, Agent, or Firm* — Hogan Lovells US LLP

(57) **CLAIM**

The ornamental design for a bench car seat, as shown and described.

DESCRIPTION

FIG. 1 is a front view thereof;
FIG. 2 is a rear view thereof;
FIG. 3 is a right side view thereof;
FIG. 4 is a left side view thereof;
FIG. 5 is a top view thereof;
FIG. 6 is a bottom view thereof;
FIG. 7 is a perspective view thereof; and,
FIG. 8 is a perspective view thereof.

1 Claim, 8 Drawing Sheets



(56)

References Cited

U.S. PATENT DOCUMENTS

D665,588	S	8/2012	Wada et al.	
D682,571	S	5/2013	Ali et al.	
D695,535	S	12/2013	Moburg et al.	
D723,825	S	3/2015	Persson et al.	
D724,333	S	3/2015	Ashley	
9,056,560	B2	6/2015	Perrin	
9,056,568	B2	6/2015	Matsumoto et al.	
D749,332	S	2/2016	Prince et al.	
D749,334	S *	2/2016	Henstridge	D6/356
D755,531	S	5/2016	Ahn et al.	
D767,292	S *	9/2016	Line	D6/356
D774,319	S	12/2016	Ingenlath et al.	
9,522,614	B2	12/2016	Clark et al.	
D778,080	S	2/2017	Ahn et al.	
D799,224	S *	10/2017	Callum	D6/356
D799,225	S *	10/2017	Callum	D6/356
D804,207	S	12/2017	Blomme	
D804,838	S	12/2017	Blomme	
D805,312	S	12/2017	Varga	
D824,184	S	7/2018	Willis et al.	
D829,457	S	10/2018	Iida	
D830,713	S	10/2018	Iida et al.	
D839,014	S *	1/2019	Ray	D6/356
D839,015	S *	1/2019	Bekas	D6/356
D841,348	S *	2/2019	Hodder	D6/356
D841,352	S *	2/2019	Bekas	D6/356
10,232,740	B1 *	3/2019	Jaradi	B60N 2/0244
2002/0070594	A1 *	6/2002	Mochizuki	B60N 2/02 297/344.1
2006/0152025	A1	7/2006	Tomasson	

2013/0127225	A1	5/2013	Kono et al.	
2013/0134760	A1	5/2013	Sutton	
2014/0361590	A1 *	12/2014	Line	B60N 2/0244 297/284.9
2015/0360592	A1	12/2015	Wroblewski et al.	
2016/0137112	A1	5/2016	Tabata et al.	
2017/0001548	A1	1/2017	Iwakata et al.	
2018/0086241	A1	3/2018	Kimura	
2018/0093596	A1	4/2018	Kumagai et al.	
2018/0312086	A1	11/2018	Meingast et al.	

OTHER PUBLICATIONS

Nio, posted at Theverge.com on Dec. 18, 2017, site visited Nov. 20, 2018. online, available from internet: <https://www.theverge.com/2017/12/18/16790920/nio-es8-electric-suv-price-specs-china>.
 Non-Final Office Action dated Nov. 29, 2018, corresponding to U.S. Appl. No. 29/616,308.
 Nio, posted at Theverge.com, posted on Dec. 18, 2017, site visited Nov. 20, 2018. online, available from internet: <https://www.theverge.com/2017/12/18/16790920/nio-es8-electric-suv-price-specs-china>.
 Office Action dated Sep. 7, 2018, corresponding to Design U.S. Appl. No. 29/616,084.
 Notice of Allowance dated Dec. 5, 2018, corresponding to Design U.S. Appl. No. 29/616,303.
 Notice of Allowance dated Dec. 11, 2018, corresponding to Design U.S. Appl. No. 29/616,306.

* cited by examiner

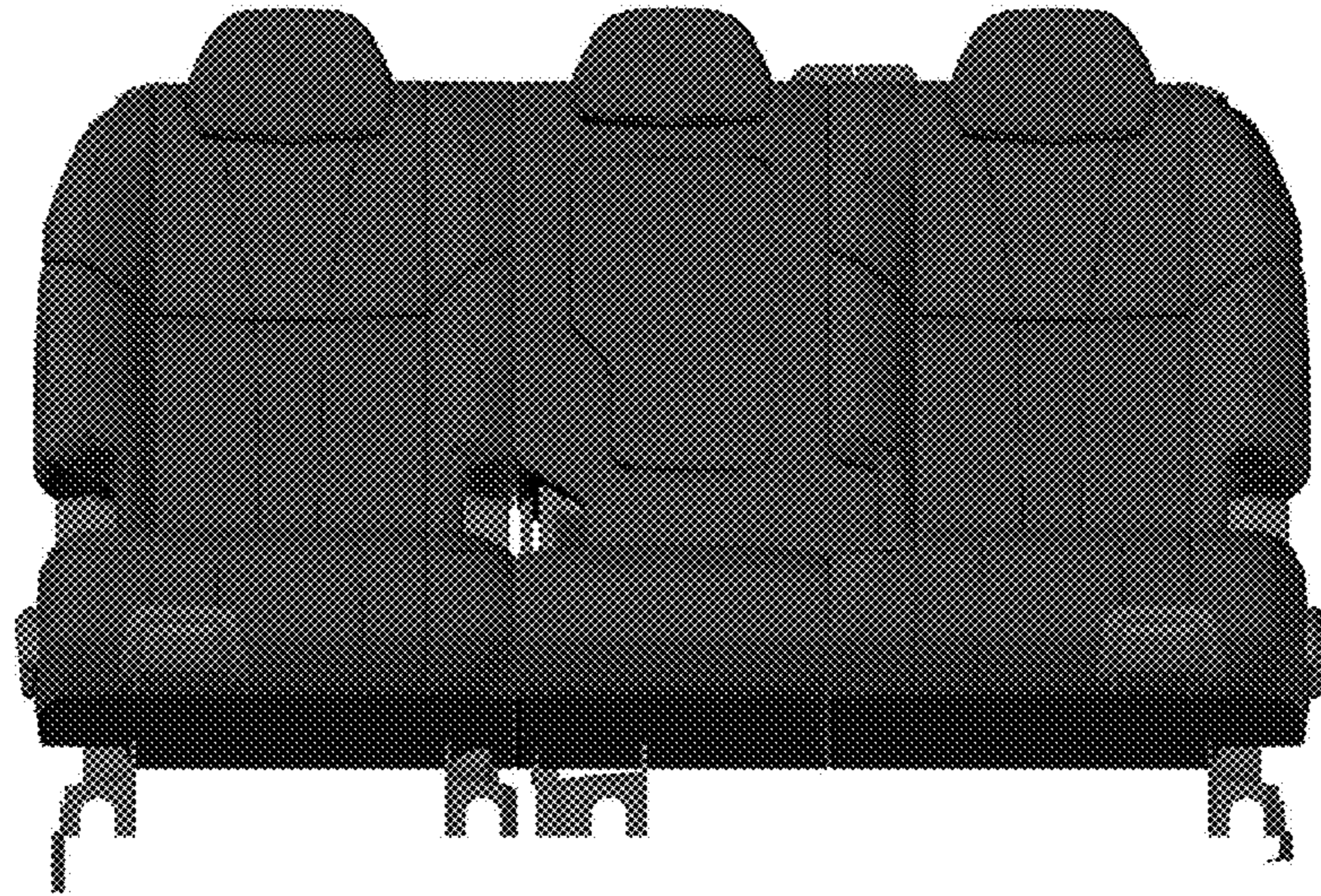


Fig. 1

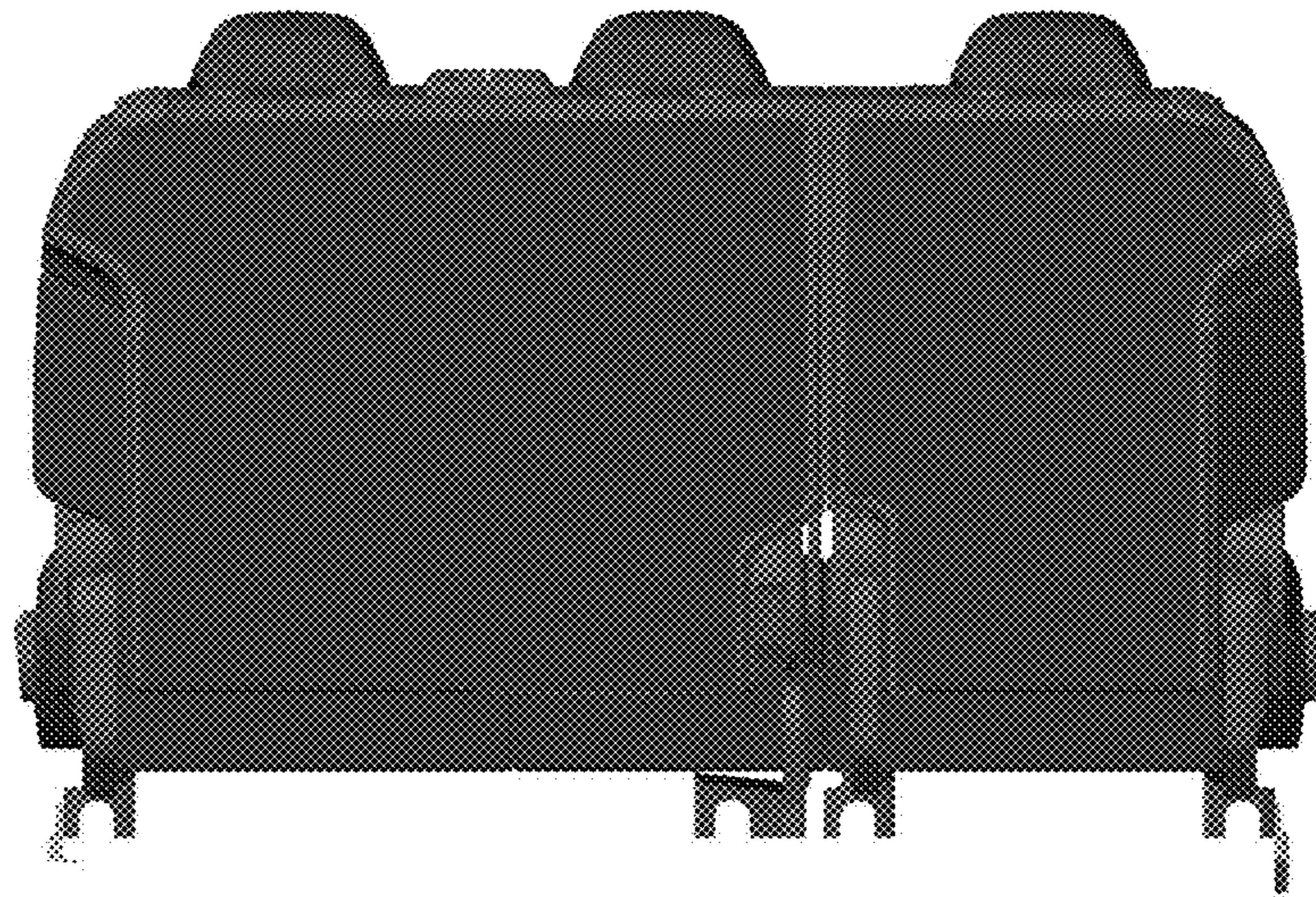


Fig. 2

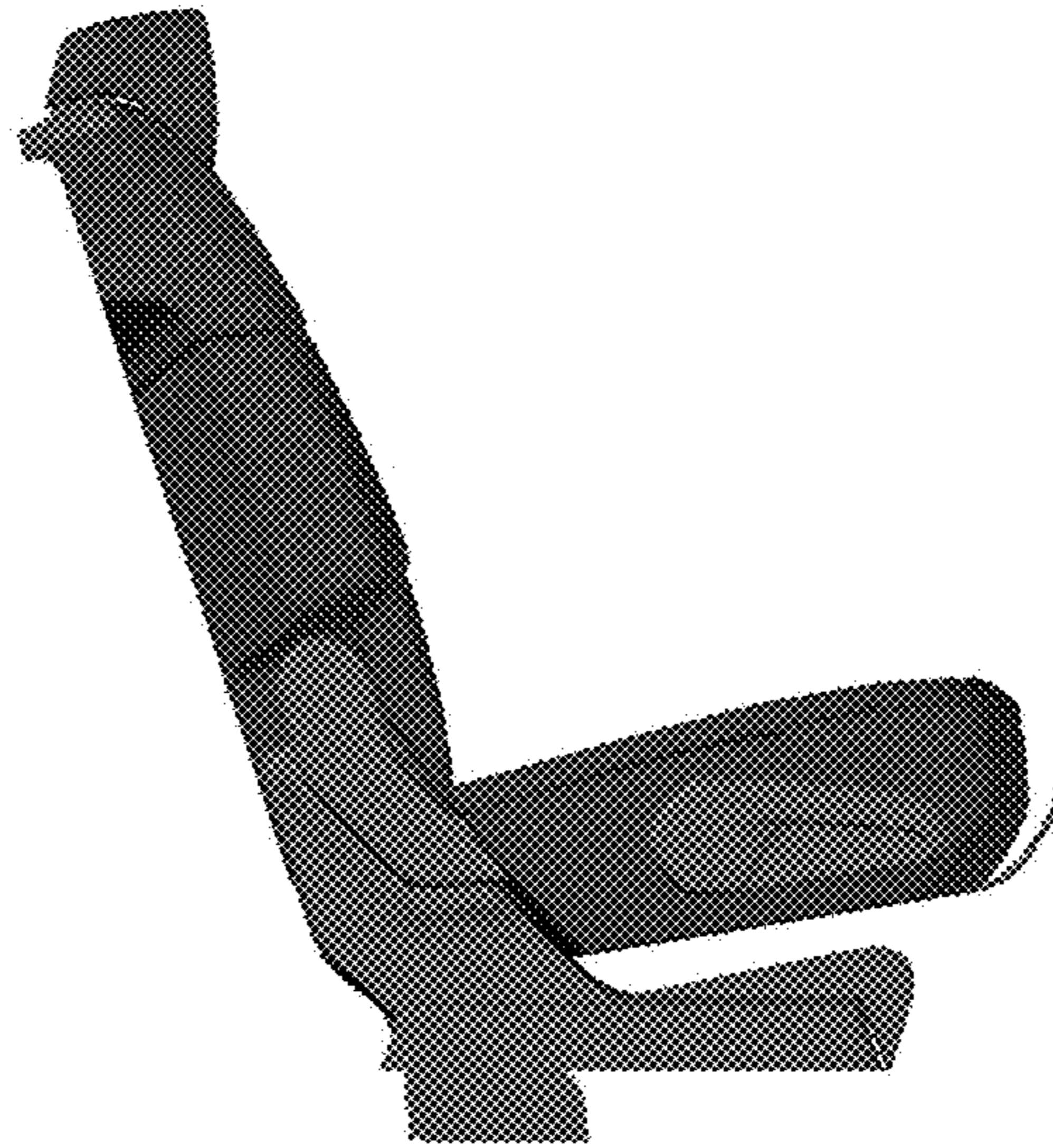


Fig. 3



Fig. 4



Fig. 5

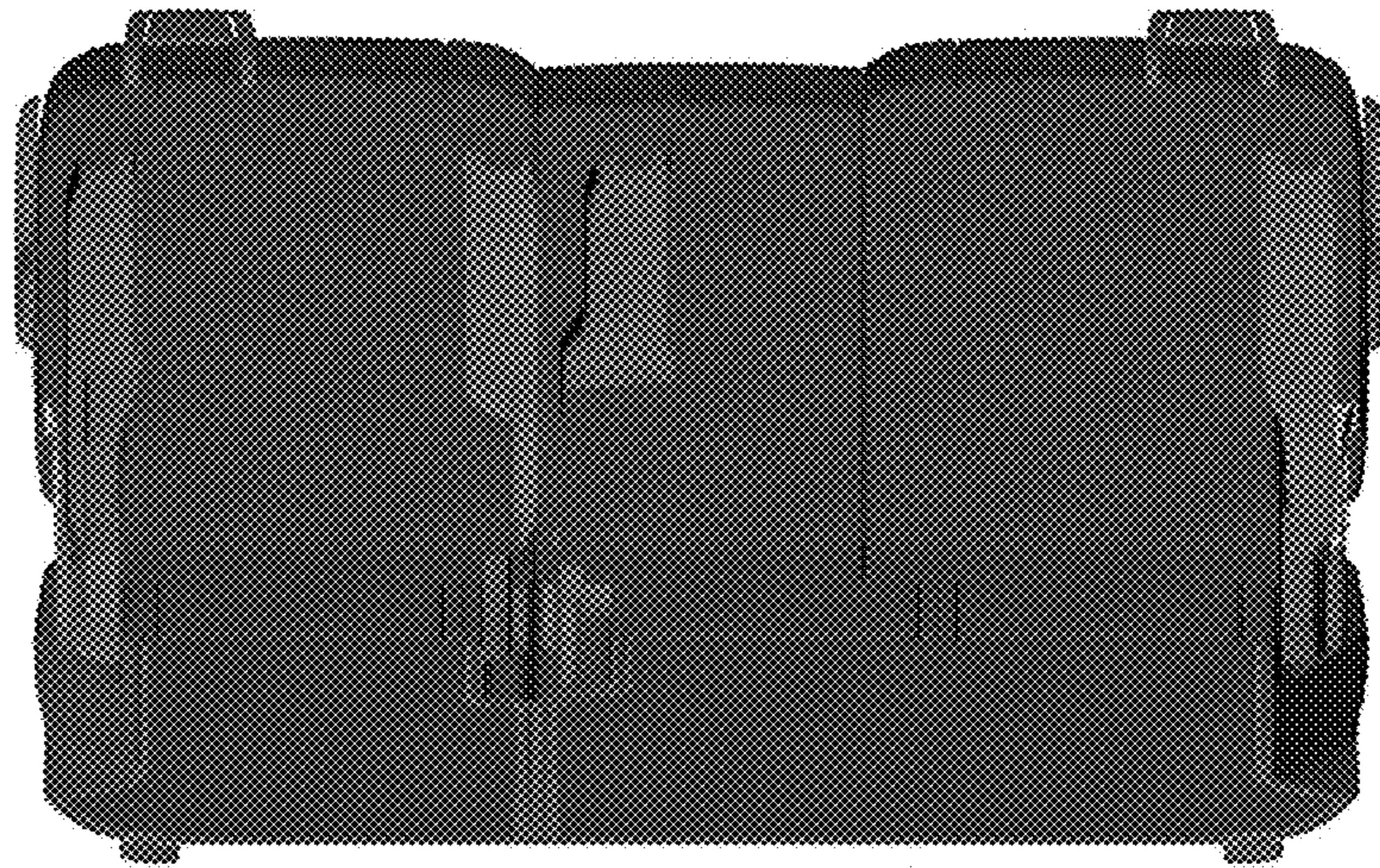


Fig. 6



Fig. 7

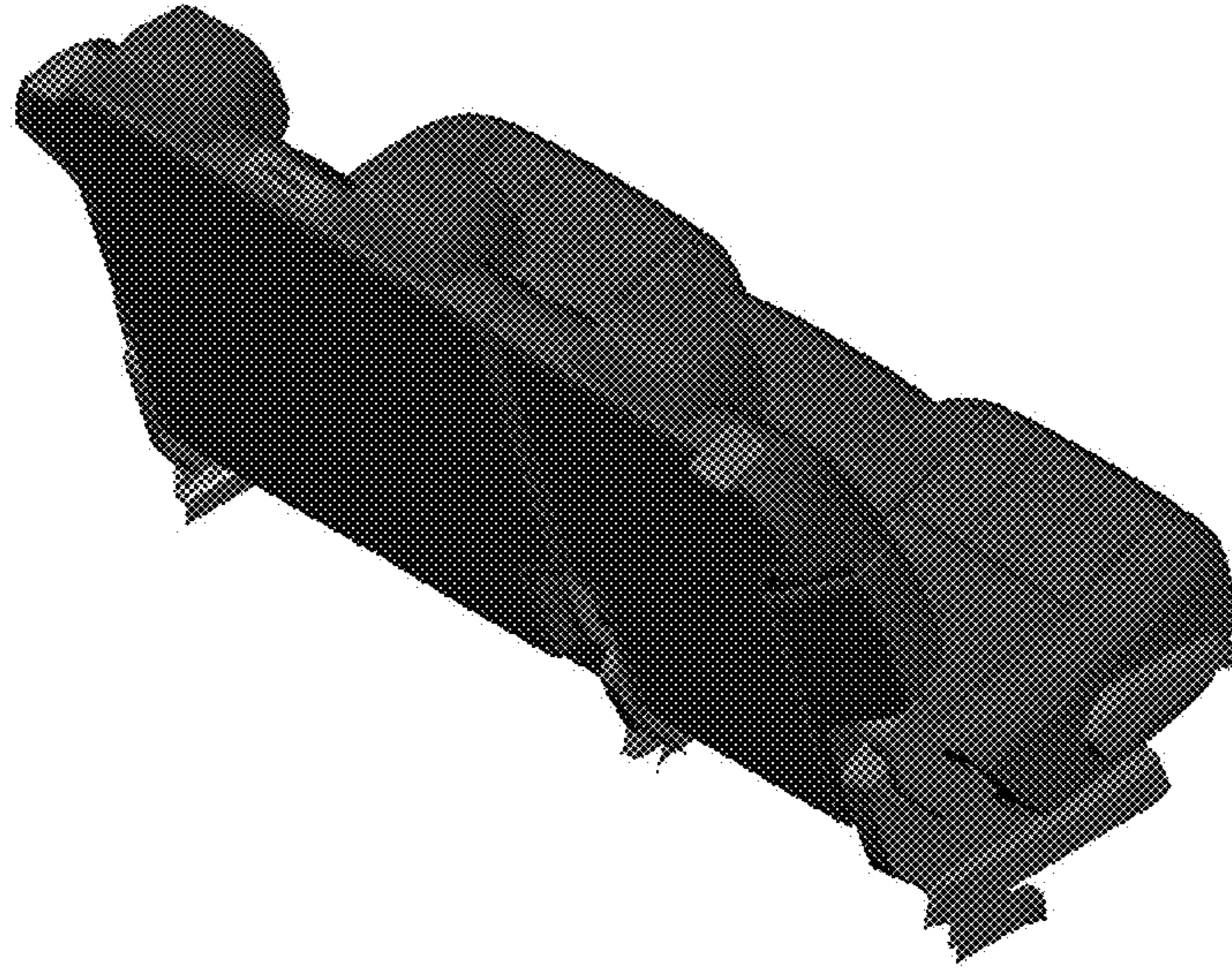


Fig. 8