



US00D862095S

(12) **United States Design Patent** (10) **Patent No.:** **US D862,095 S**
Young (45) **Date of Patent:** **** Oct. 8, 2019**

(54) **SEATING UNIT**

- (71) Applicant: **Blu Dot Design & Manufacturing, Inc.**, Minneapolis, MN (US)
- (72) Inventor: **Warren Young**, Roseville, MN (US)
- (73) Assignee: **Blu Dot Design & Manufacturing, Inc.**, Minneapolis, MN (US)
- (**) Term: **15 Years**

- (21) Appl. No.: **29/626,159**
- (22) Filed: **Nov. 15, 2017**
- (51) **LOC (12) Cl.** **06-01**
- (52) **U.S. Cl.**
USPC **D6/334**
- (58) **Field of Classification Search**
USPC D6/334, 335, 349, 367, 368, 369, 374,
D6/375, 377, 378, 381
CPC A47C 17/00; A47C 1/00; A47C 3/12
See application file for complete search history.

(56) **References Cited**

U.S. PATENT DOCUMENTS

D368,177 S	*	3/1996	Mourgue	D6/381
D375,845 S	*	11/1996	Mourgue	D6/334
D376,482 S		12/1996	Lewis		
D396,962 S		8/1998	Lewis		
D485,444 S		1/2004	Nicoletti		
D501,330 S	*	2/2005	Gomez	D6/334
D554,874 S		11/2007	Jourdan		
D677,911 S	*	3/2013	Hamilton	D6/334
D685,198 S		7/2013	Arko et al.		
D699,456 S		2/2014	Bosman		
D699,956 S		2/2014	Beucler et al.		
D730,652 S		6/2015	Nigro		
D798,072 S	*	9/2017	Massaud	D6/334
D800,460 S		10/2017	Rockwell et al.		
D842,616 S	*	3/2019	Young	D6/349

OTHER PUBLICATIONS

Puff Puff Ottoman—hivemodern.com. [online]. Published Jul. 3, 2017. Retrieved Jul. 31, 2018 from URL: <https://hivemodern.com/pages/product10553/puff-puff-ottoman-blu-dot>.
 Blu Dot Catalog No. 16, Designed in Minneapolis, Minnesota, Copyright 2015, 44 pages, which the Applicant believes to have been published prior to the filing date of the instant application.
 Blu Dot Catalog No. 17, Designed in Minneapolis, Minnesota, Copyright 2015, 52 pages, which the Applicant believes to have been published prior to the filing date of the instant application.

(Continued)

Primary Examiner — Deanna L Pratt
 (74) *Attorney, Agent, or Firm* — Fredrikson & Byron, P.A.

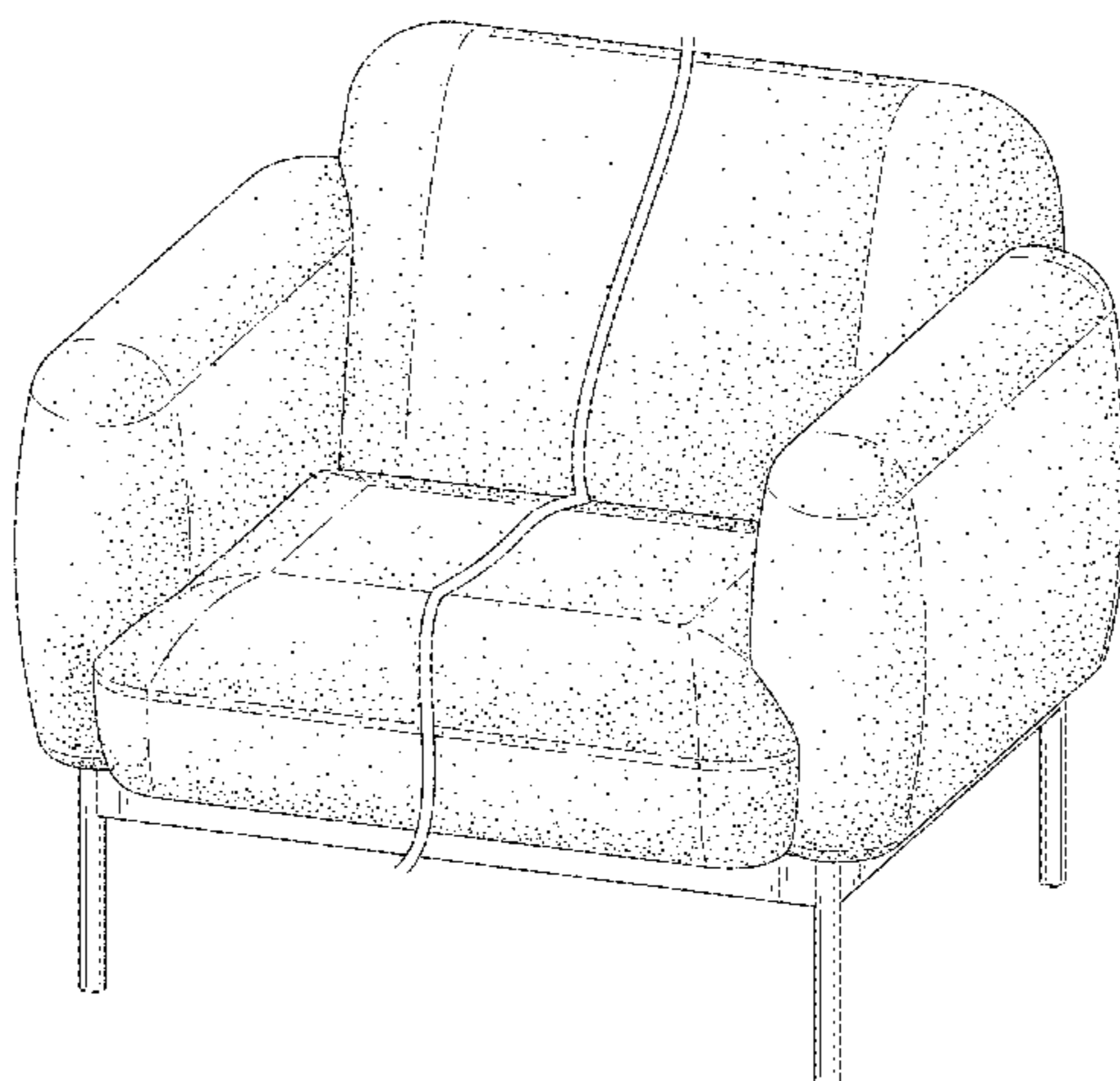
(57) **CLAIM**

The ornamental design for a seating unit, as shown and described.

DESCRIPTION

FIG. 1 is a front perspective view of a seating unit of Applicant's design;
 FIG. 2 is a front elevational view thereof;
 FIG. 3 is a rear elevational view thereof;
 FIG. 4 is a first side elevational view thereof, the second side elevational view opposite the first side elevational view and being a mirror image thereof;
 FIG. 5 is a top plan view thereof; and,
 FIG. 6 is a bottom plan view thereof.
 The broken lines illustrate portions of the seating unit and form no part of the claimed design.
 The appearance of any portion of the seating unit between the break lines forms no part of the claimed design.

1 Claim, 6 Drawing Sheets



(56)

References Cited

OTHER PUBLICATIONS

Blu Dot Catalog No. 18, Designed in Minneapolis, Minnesota, Copyright 2015, 51 pages, which the Applicant believes to have been published prior to the filing date of the instant application.

Blu Dot Catalog No. 19, Designed in Minneapolis, Minnesota, Copyright 2016, 54 pages, which the Applicant believes to have been published prior to the filing date of the instant application.

* cited by examiner

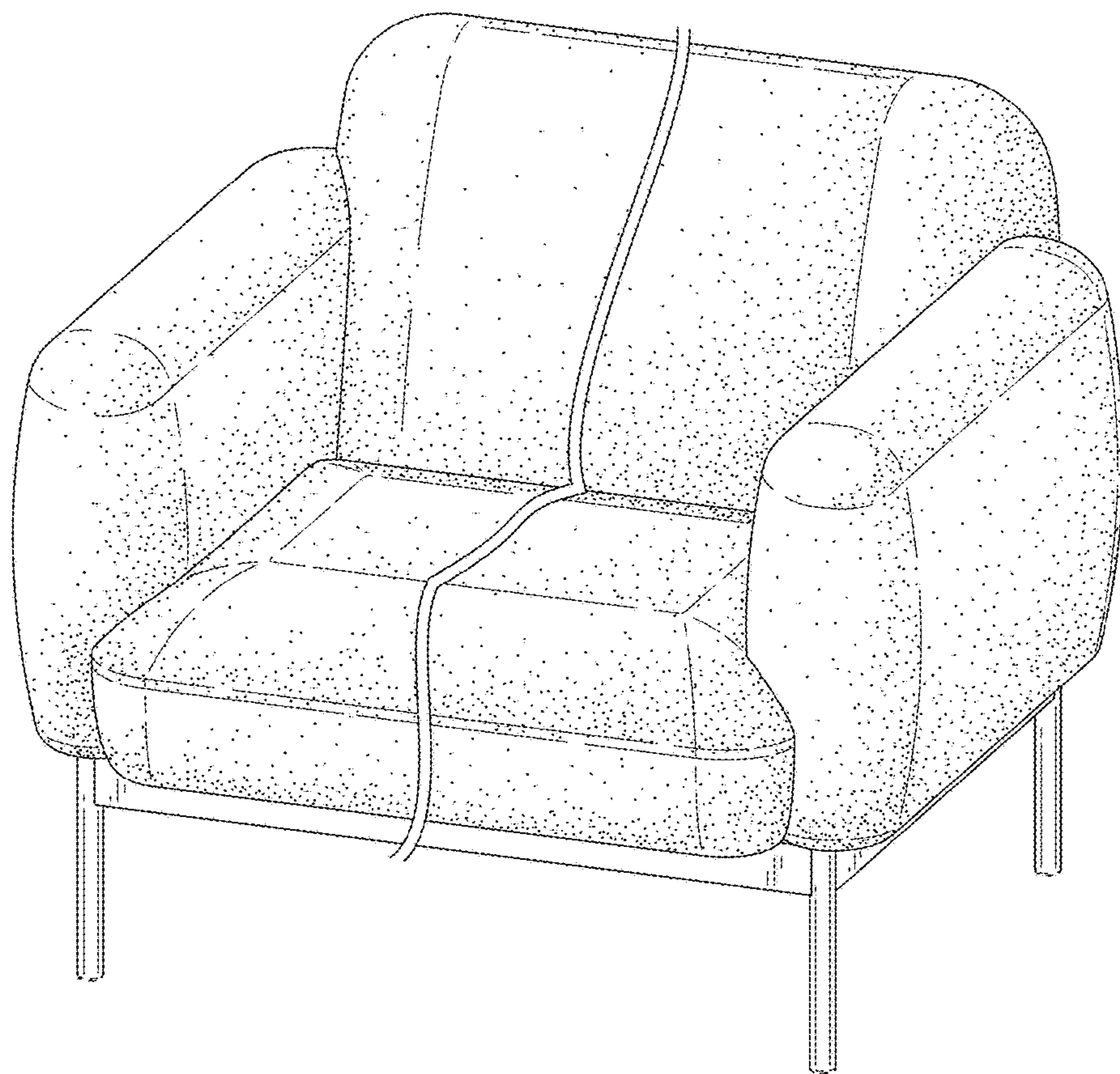


FIG. 1

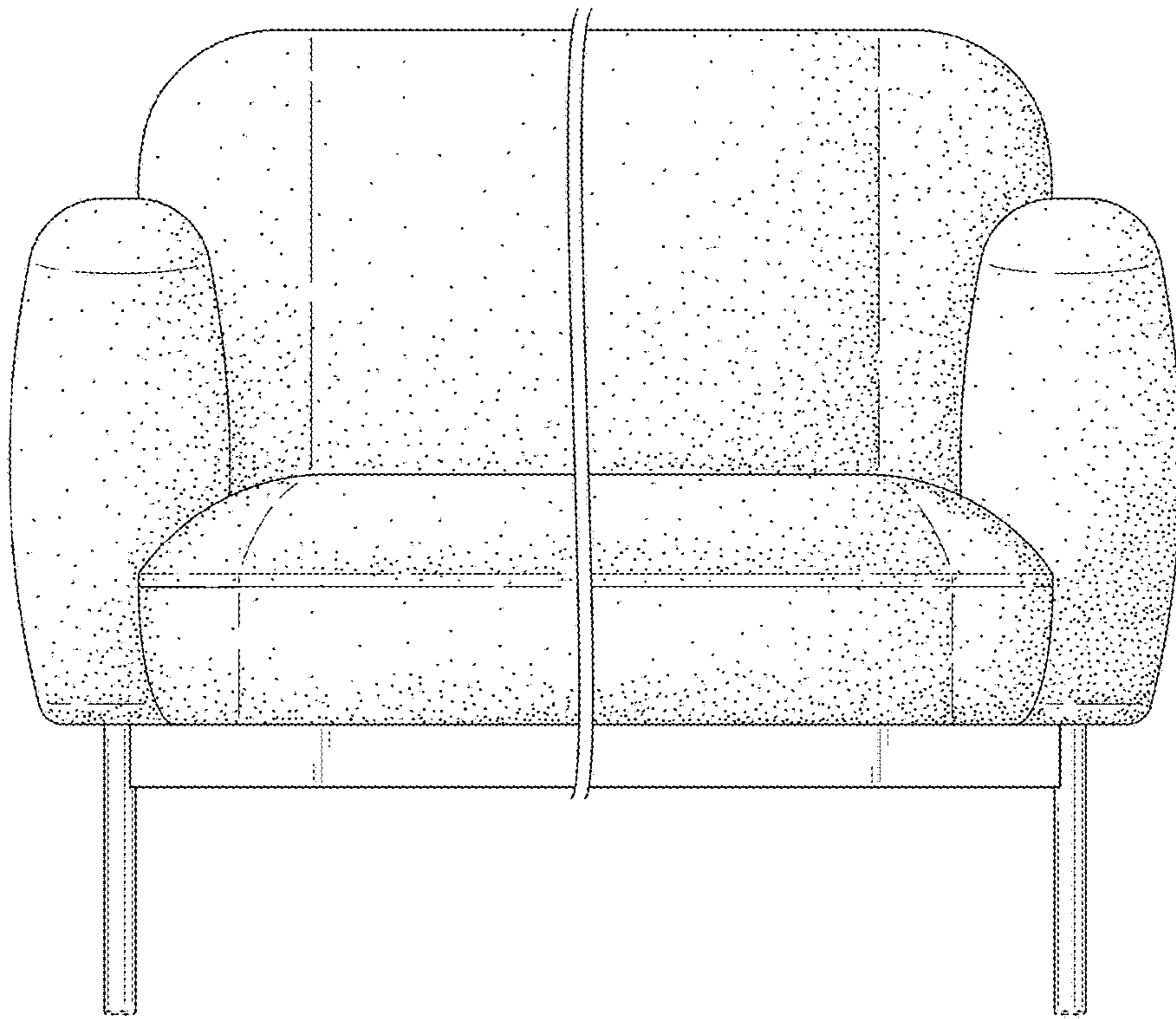


FIG. 2

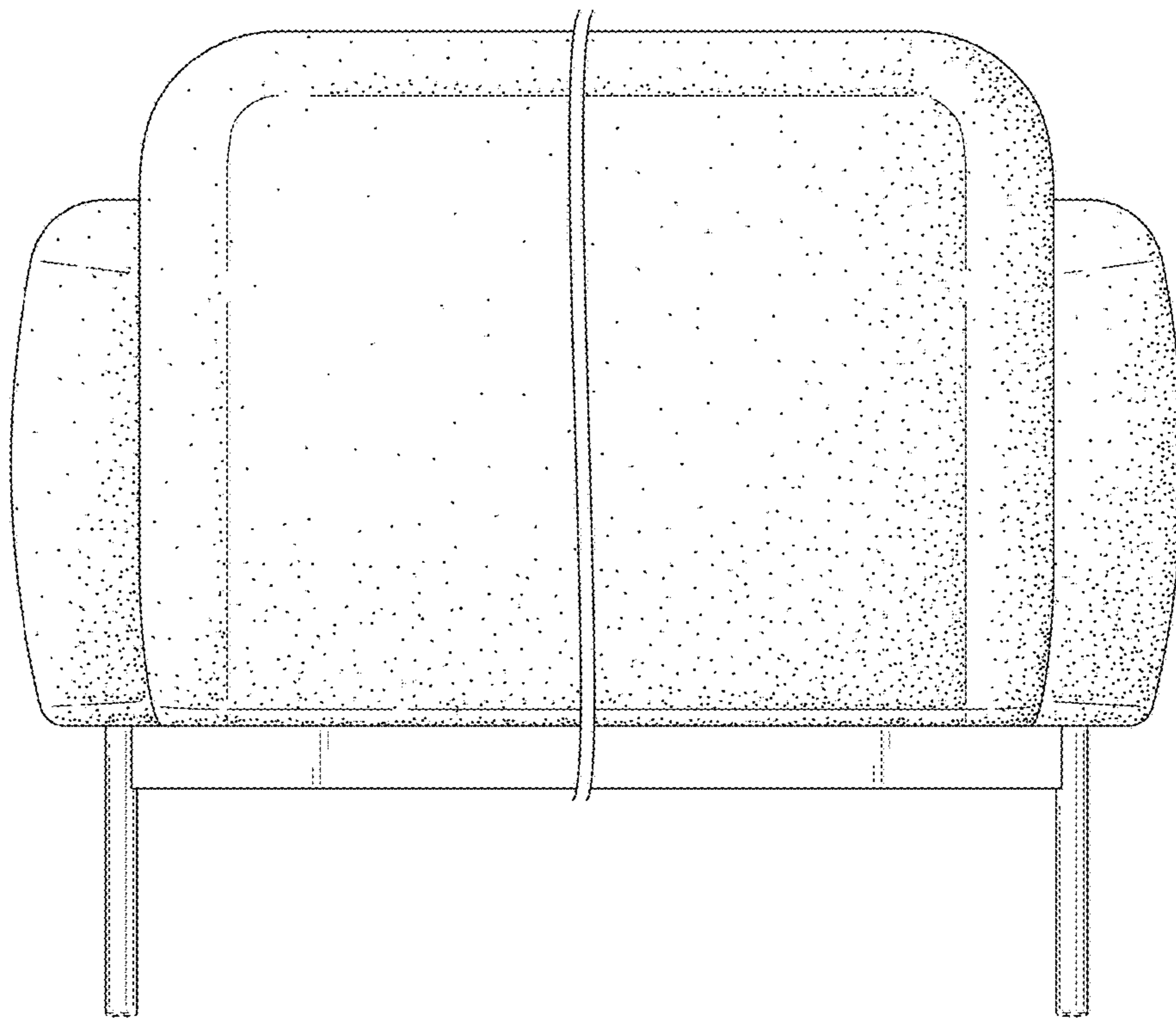


FIG. 3

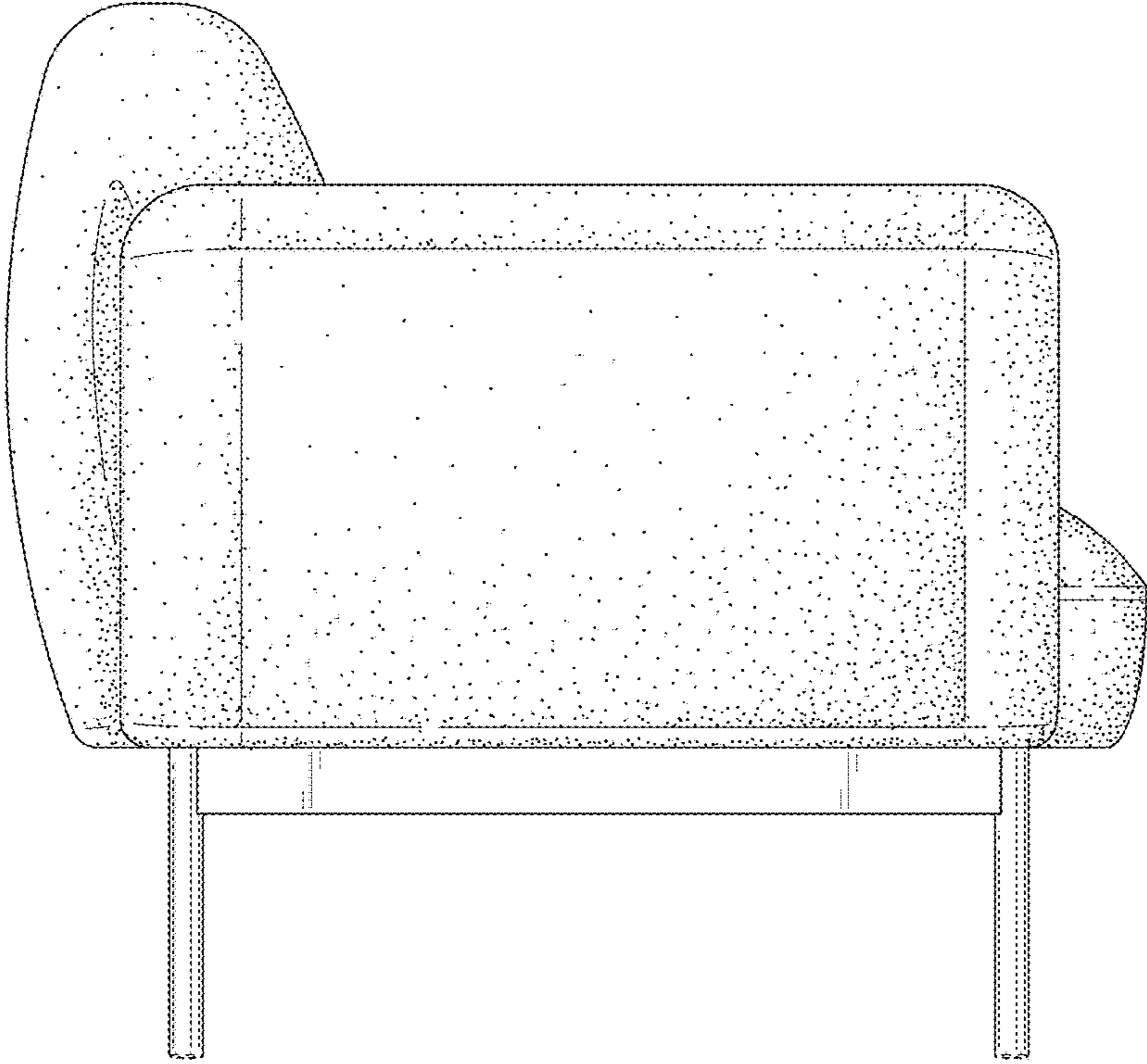


FIG. 4

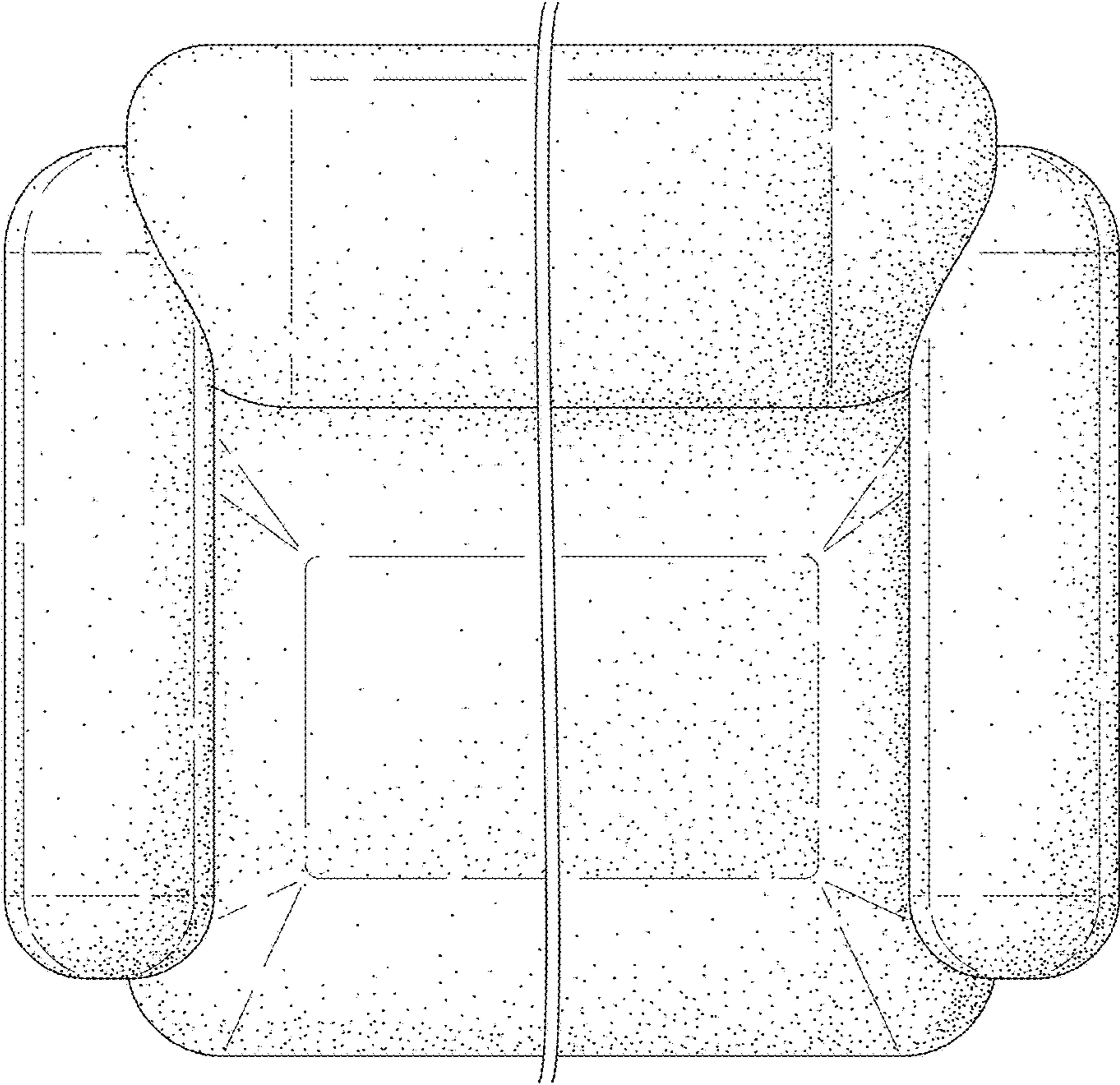


FIG. 5

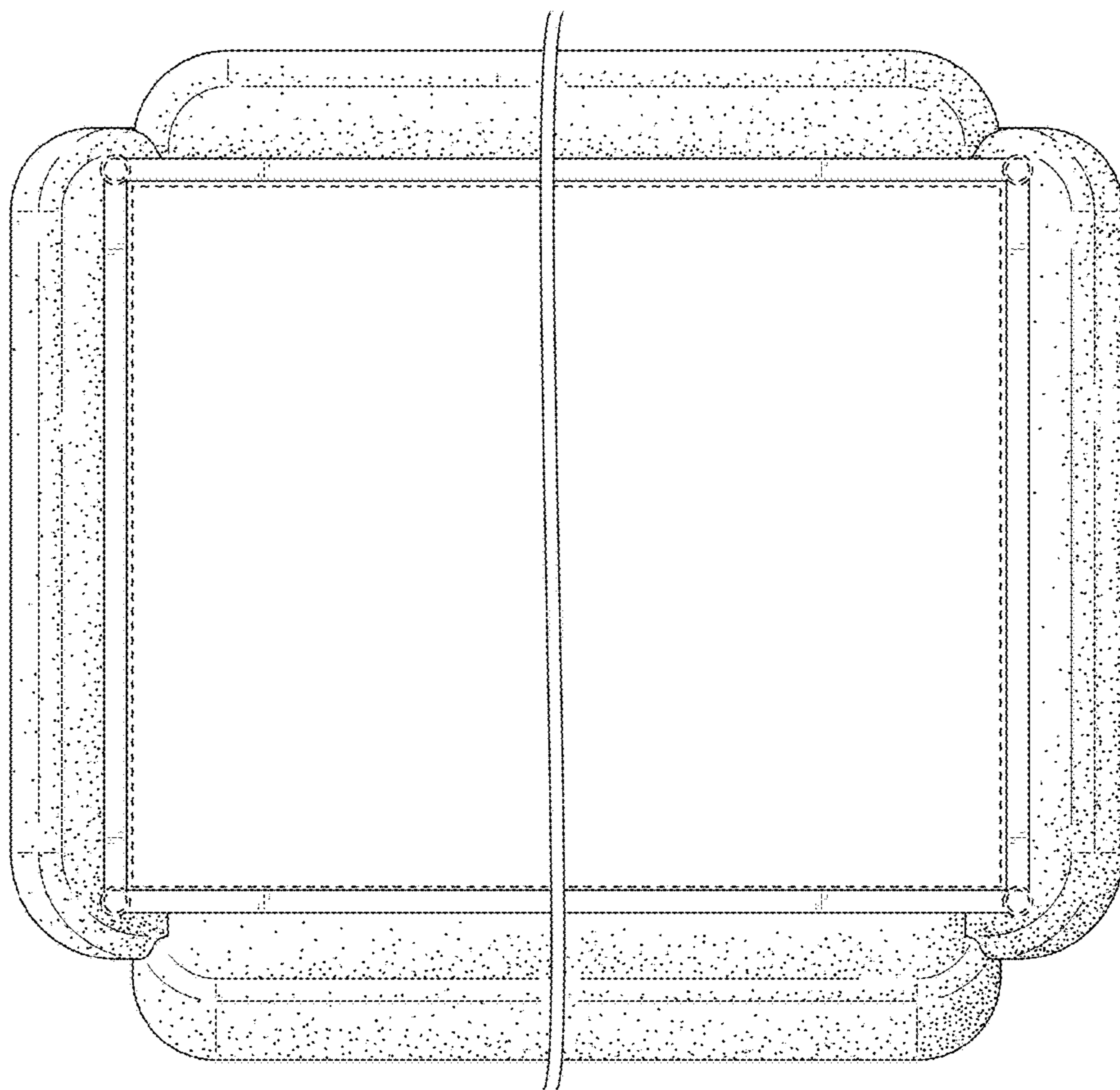


FIG. 6